



US00D717648S

(12) **United States Design Patent**
Firestone et al.

(10) **Patent No.:** **US D717,648 S**

(45) **Date of Patent:** **** Nov. 18, 2014**

(54) **BOTTLE TOP**

(71) Applicants: **Leonard Firestone**, Fort Worth, TX
(US); **Troy Robertson**, Fort Worth, TX
(US)

(72) Inventors: **Leonard Firestone**, Fort Worth, TX
(US); **Troy Robertson**, Fort Worth, TX
(US)

(**) Term: **14 Years**

(21) Appl. No.: **29/438,119**

(22) Filed: **Nov. 26, 2012**

(51) **LOC (10) Cl.** **09-07**

(52) **U.S. Cl.**
USPC **D9/439**

(58) **Field of Classification Search**
USPC D7/300, 305, 312, 313, 387, 397, 398;
D9/434, 435, 436, 438, 439, 440, 441,
D9/446, 447, 448, 451, 452, 454, 505, 516,
D9/544, 545, 547, 560, 562, 565, 571-574,
D9/635, 656, 687-692, 694, 715, 718;
D10/49, 52, 60, 122; D23/233, 246,
D23/249; 215/211, 214, 217, 220, 235, 296,
215/355-364, 379, 382; 220/660, 662, 669;
222/145.1-145.8, 630-633

See application file for complete search history.

(56) **References Cited**

U.S. PATENT DOCUMENTS

D90,061 S * 6/1933 Brennan D9/439
2,549,404 A * 4/1951 Williams 215/364

D292,673 S * 11/1987 Woodruff et al. D9/439
D292,674 S * 11/1987 Morris et al. D9/439
D305,871 S * 2/1990 Geiger D9/435
D306,971 S * 4/1990 Daucourt D7/300
D314,707 S * 2/1991 Granger D9/435
D489,005 S * 4/2004 Miceli et al. D9/435
D489,610 S * 5/2004 Miceli et al. D9/435
D492,596 S * 7/2004 Miceli et al. D9/435
D532,696 S * 11/2006 Boudard D9/544
D545,676 S * 7/2007 Rica D9/439
D555,477 S * 11/2007 Mayers D9/451
D642,914 S * 8/2011 Dumas D9/439
D666,495 S * 9/2012 Biesecker et al. D9/453
D682,097 S * 5/2013 Chiorazzi et al. D9/439
2008/0035599 A1 * 2/2008 Seibel 215/296
2008/0073314 A1 * 3/2008 Condon et al. 215/364

* cited by examiner

Primary Examiner — Susan Bennett Hattan

Assistant Examiner — Leanne Was

(74) *Attorney, Agent, or Firm* — QuickPatents; Kevin Prince

(57) **CLAIM**

We claim the ornamental design for a bottle top, as shown and described.

DESCRIPTION

FIG. 1 is a top perspective view of a bottle top, showing our new design;

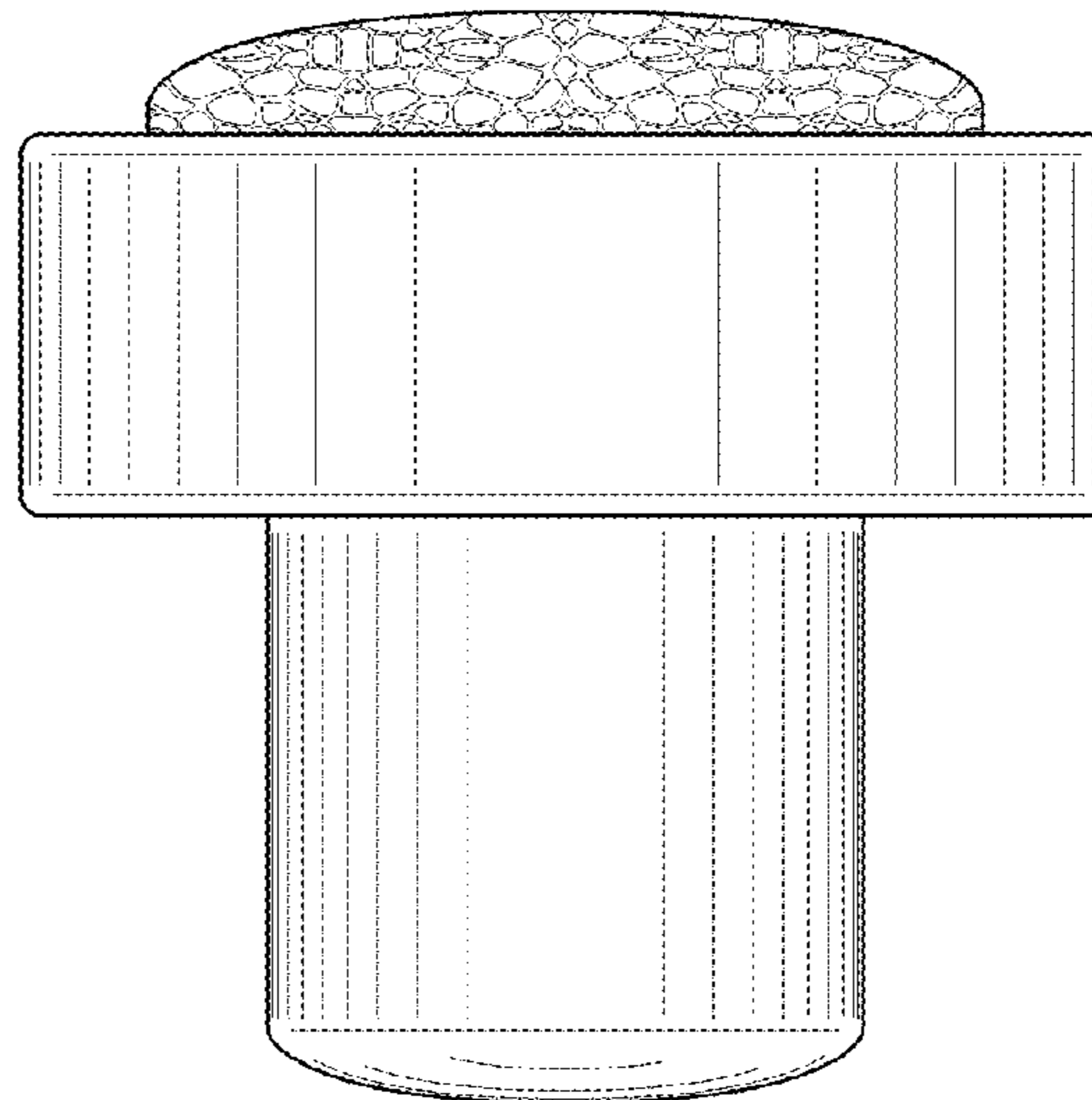
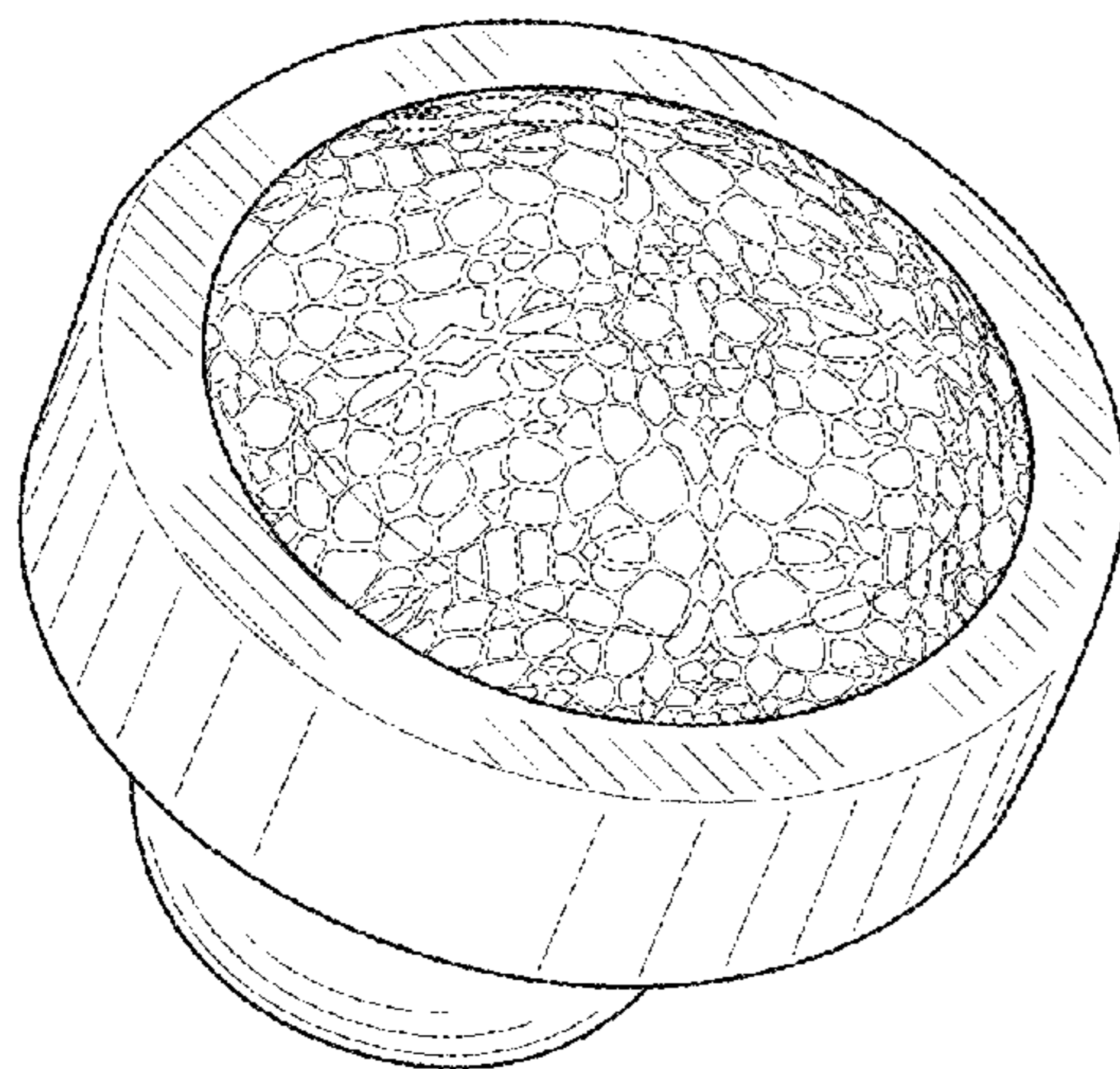
FIG. 2 is a bottom perspective view thereof;

FIG. 3 is a front elevational view thereof, the rear elevational view being a mirror image thereof;

FIG. 4 is a bottom plan view thereof; and,

FIG. 5 is a top plan view thereof.

1 Claim, 2 Drawing Sheets



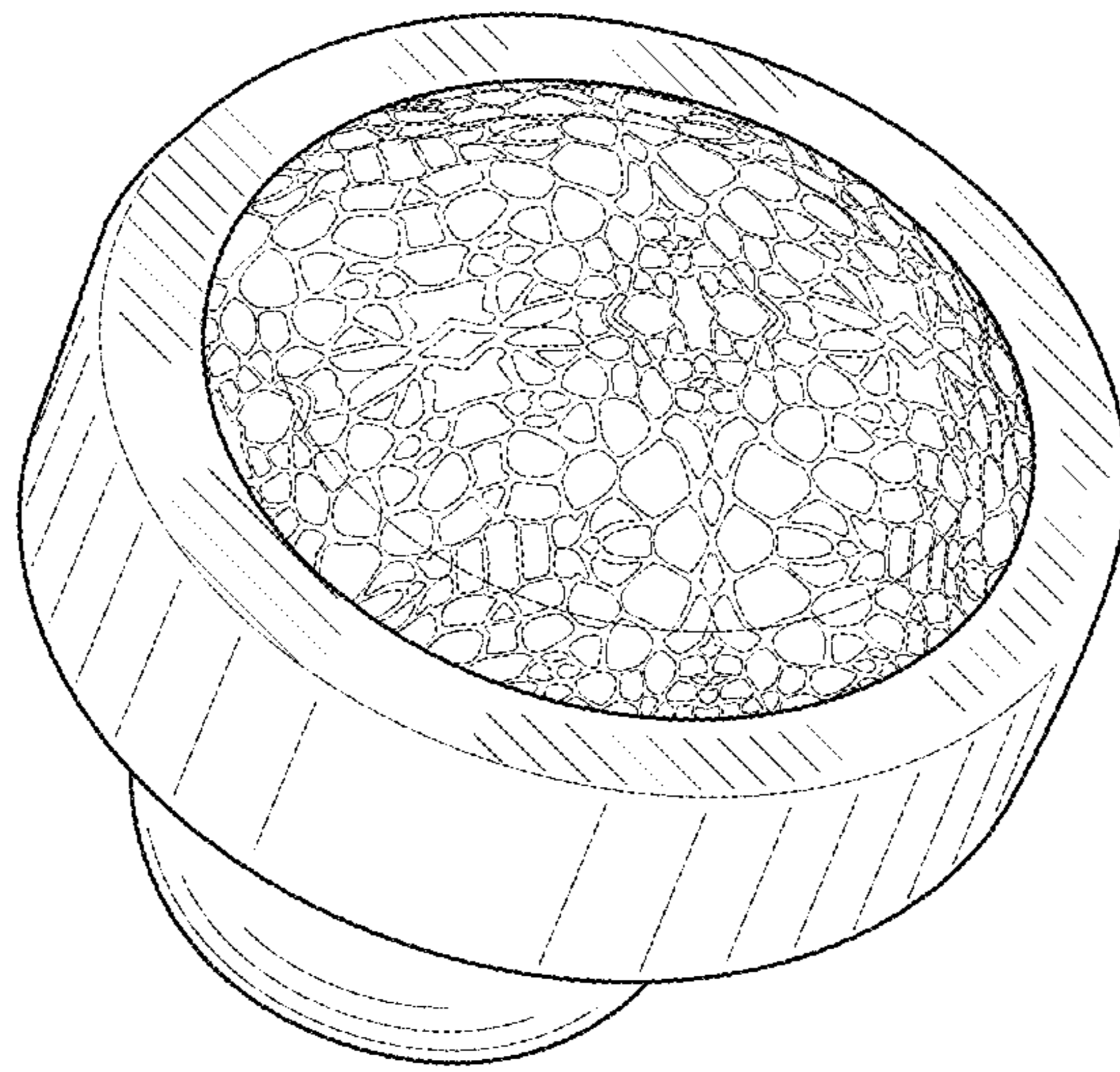


FIG. 1

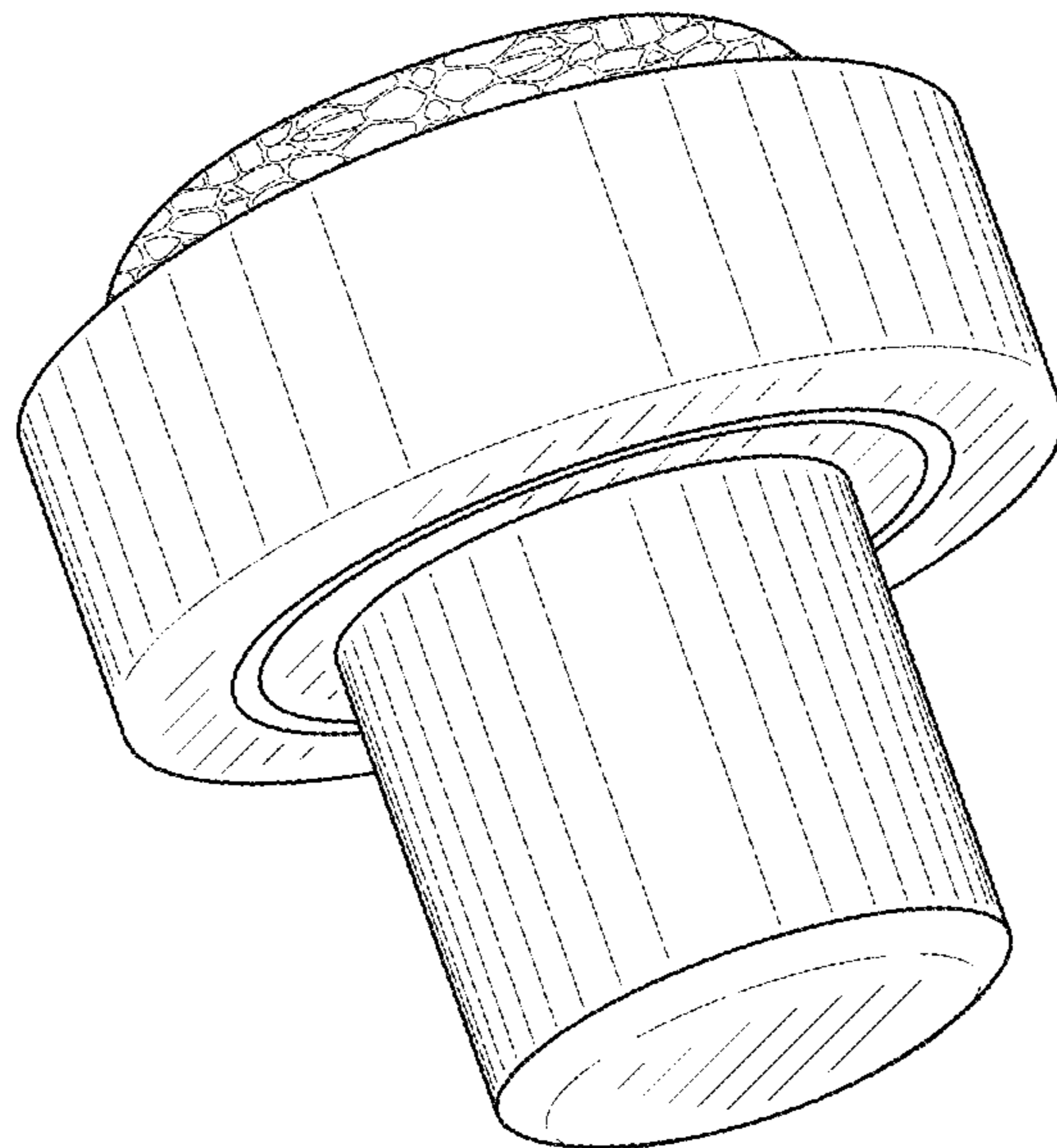


FIG. 2

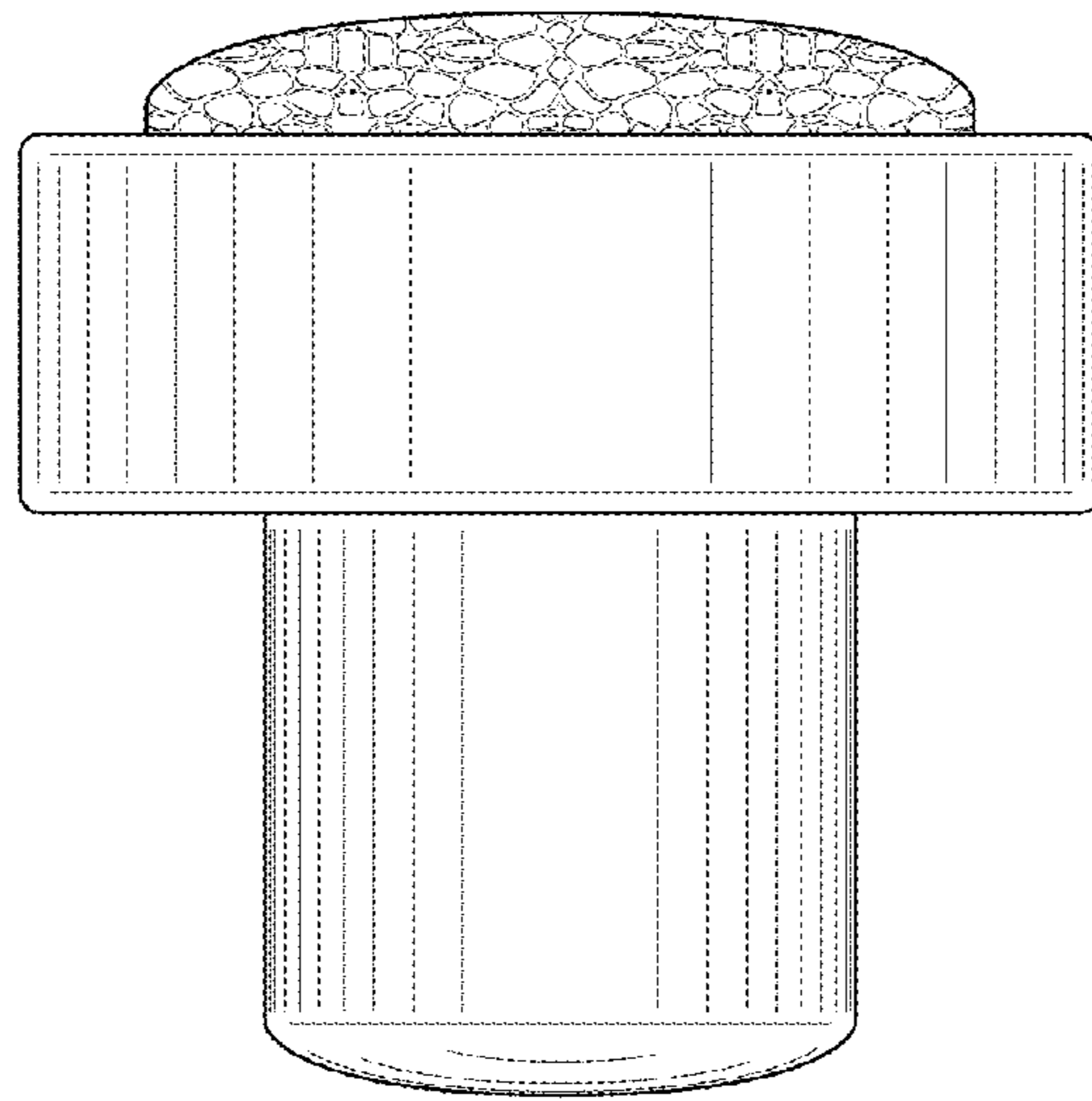


FIG. 3

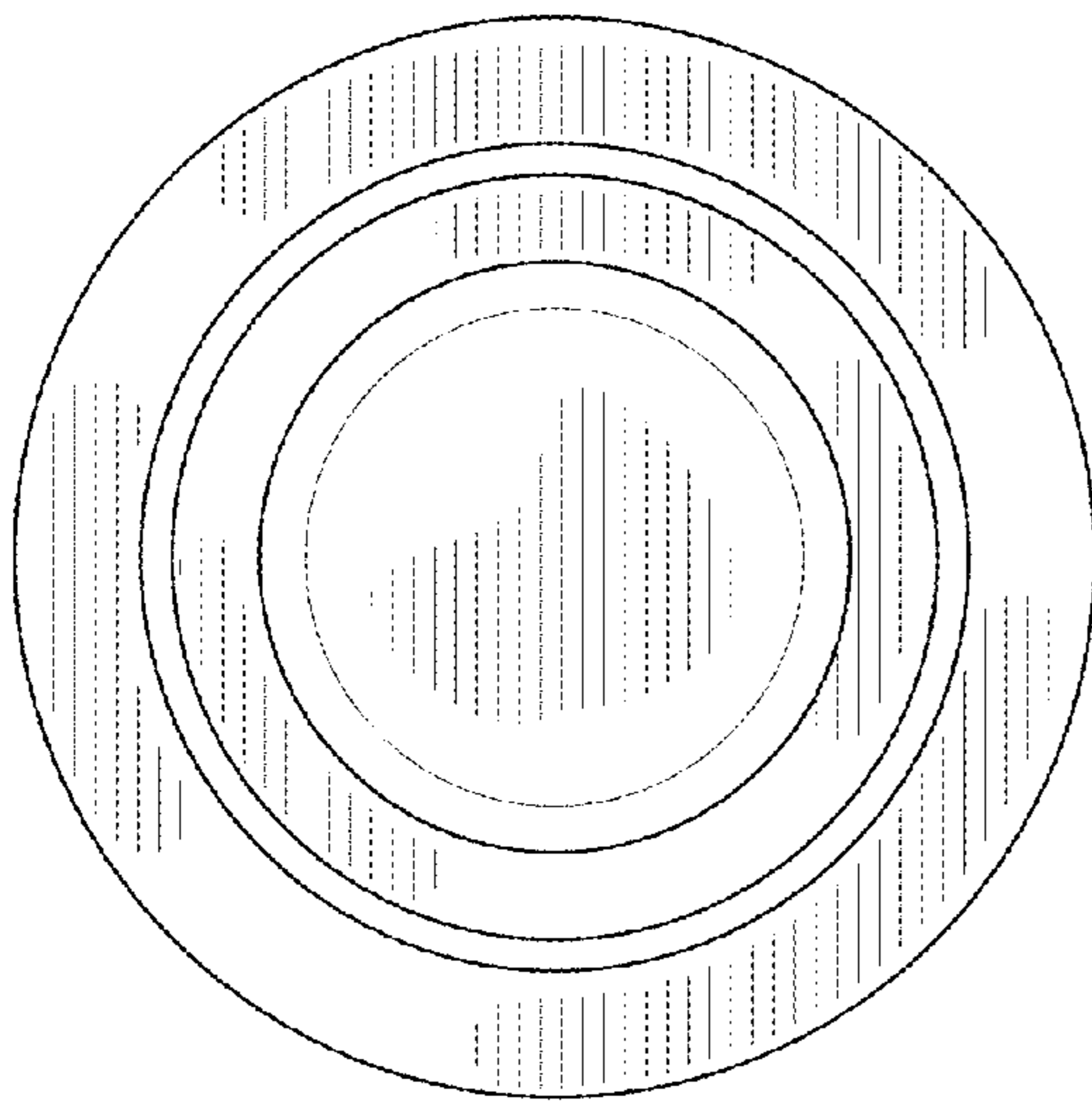


FIG. 4

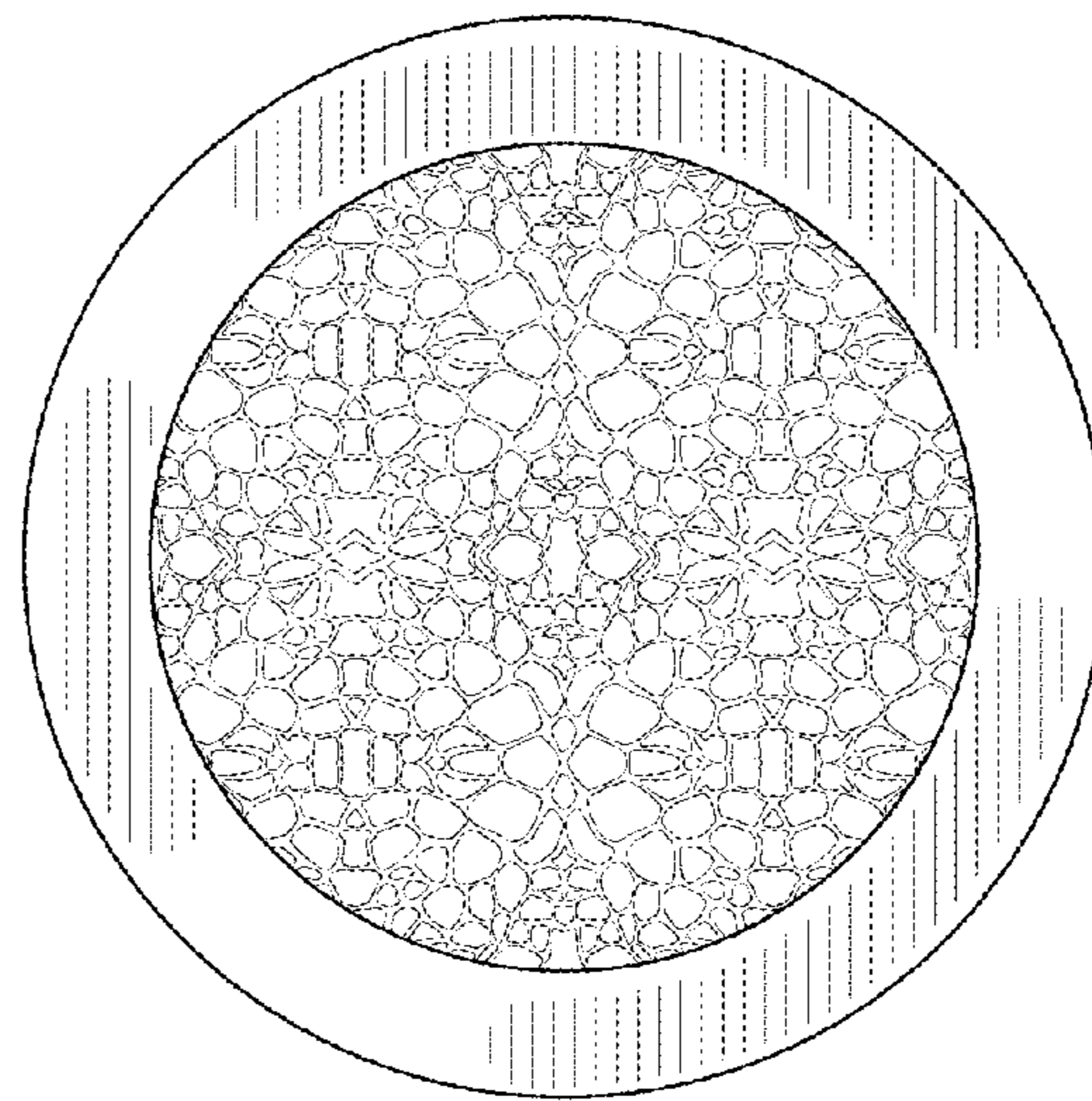


FIG. 5