



US00D717646S

(12) **United States Design Patent**
Plourde et al.

(10) **Patent No.:** **US D717,646 S**

(45) **Date of Patent:** **** Nov. 18, 2014**

(54) **CARTON WITH RECLOSABLE HEADER WITH SIDE ENTRY**

(56) **References Cited**

(71) Applicant: **Illinois Tool Works Inc.**, Glenview, IL (US)

(72) Inventors: **Eric Plourde**, Frankfort, IL (US); **Kenny E. McCracken**, Dacula, GA (US); **Robert E. Hogan**, Burr Ridge, IL (US); **Frank J. Kelly**, Glen Ellyn, IL (US); **John A. Caporaso**, Moorestown, NJ (US); **Stephen P. Belko**, Blackwood, NJ (US); **Neil J. Kozarsky**, Mount Laurel, NJ (US)

(73) Assignee: **Illinois Tool Works Inc.**, Glenview, IL (US)

(**) Term: **14 Years**

(21) Appl. No.: **29/450,537**

(22) Filed: **Mar. 19, 2013**

(51) **LOC (10) Cl.** **09-03**

(52) **U.S. Cl.**
USPC **D9/432; D9/709**

(58) **Field of Classification Search**
CPC B29L 2031/7161; B29L 2031/7164; B29L 2031/7166; B65D 1/22; B65D 1/34; B65D 5/00; B65D 5/002; B65D 5/0025; B65D 5/067-5/069; B65D 5/20; B65D 5/24; B65D 5/42; B65D 5/46; B65D 5/64; B65D 5/71; B65D 5/72; B65D 21/00; B65D 43/162; B65D 81/02; B65D 81/3813; B65D 71/12; B65D 71/40; B65D 71/46
USPC D9/415-419, 420-425, 428, 429-435, D9/535, 536, 541-543, 560, 707-710, 719, D9/734; D3/203.2, 272, 273, 294, 298, D3/302-304; D7/538-542, 601, 602, 629
See application file for complete search history.

U.S. PATENT DOCUMENTS

| | | | | | |
|-----------|------|---------|-------------------|-------|-----------|
| 4,082,216 | A * | 4/1978 | Clarke | | 229/164.1 |
| D303,500 | S | 9/1989 | Colla | | |
| D365,022 | S | 12/1995 | Wada | | |
| D425,410 | S | 5/2000 | Berman | | |
| D433,625 | S | 11/2000 | Berman | | |
| 6,234,676 | B1 * | 5/2001 | Galomb et al. | | 383/63 |
| D451,794 | S * | 12/2001 | Ichikawa | | D9/709 |
| D470,754 | S * | 2/2003 | Ichikawa | | D9/709 |
| D471,437 | S * | 3/2003 | Ichikawa | | D9/709 |
| D473,462 | S | 4/2003 | Green et al. | | |
| D486,731 | S | 2/2004 | Meeker et al. | | |
| D523,743 | S | 6/2006 | Solowiejko et al. | | |

(Continued)

OTHER PUBLICATIONS

U.S. Appl. No. 13/761,716, filed Feb. 7, 2013, Neil J. Kozarsky et al.

(Continued)

Primary Examiner — Susan Bennett Hattan

Assistant Examiner — Vy Koenig

(74) *Attorney, Agent, or Firm* — McCarter & English, LLP

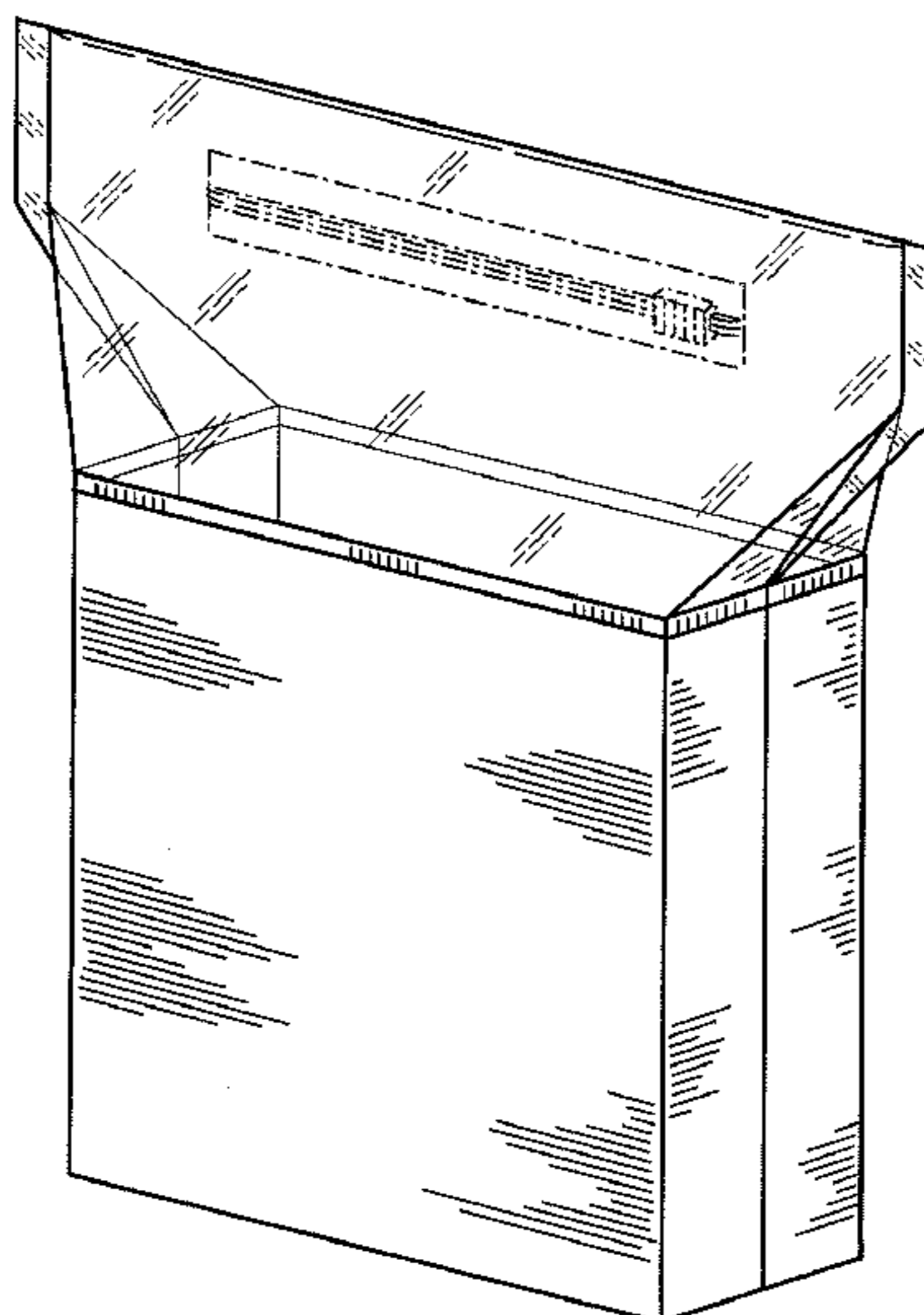
(57) **CLAIM**

The ornamental design for the carton with reclosable header with side entry, as shown.

DESCRIPTION

FIG. 1 is a front perspective view thereof;
FIG. 2 is a front plan view thereof;
FIG. 3 is a side plan thereof;
FIG. 4 is a rear plan view thereof;
FIG. 5 is a top plan view thereof; and,
FIG. 6 is a bottom plan view thereof.
The broken lines shown in the drawings depict environmental features that form no part of the claimed design.

1 Claim, 4 Drawing Sheets



(56)

References Cited

U.S. PATENT DOCUMENTS

D581,262 S 11/2008 Suyama et al.
D582,263 S 12/2008 Smith et al.
D597,854 S * 8/2009 Berman D9/707
D624,817 S 10/2010 Fisher et al.
D634,646 S * 3/2011 Belko et al. D9/709
D670,941 S 11/2012 Vernon
D682,683 S * 5/2013 Brogan et al. D9/432
D700,064 S 2/2014 Berman

D700,066 S 2/2014 Berman
2011/0297680 A1 12/2011 Howell et al.
2011/0301006 A1 12/2011 Howell et al.
2012/0060449 A1 3/2012 Howell et al.
2012/0187182 A1 7/2012 Howell et al.

OTHER PUBLICATIONS

U.S. Appl. No. 29/450,537, filed Mar. 19, 2013, Eric Plourde et al.
U.S. Appl. No. 29/450,538, filed Mar. 19, 2013, Eric Plourde et al.

* cited by examiner

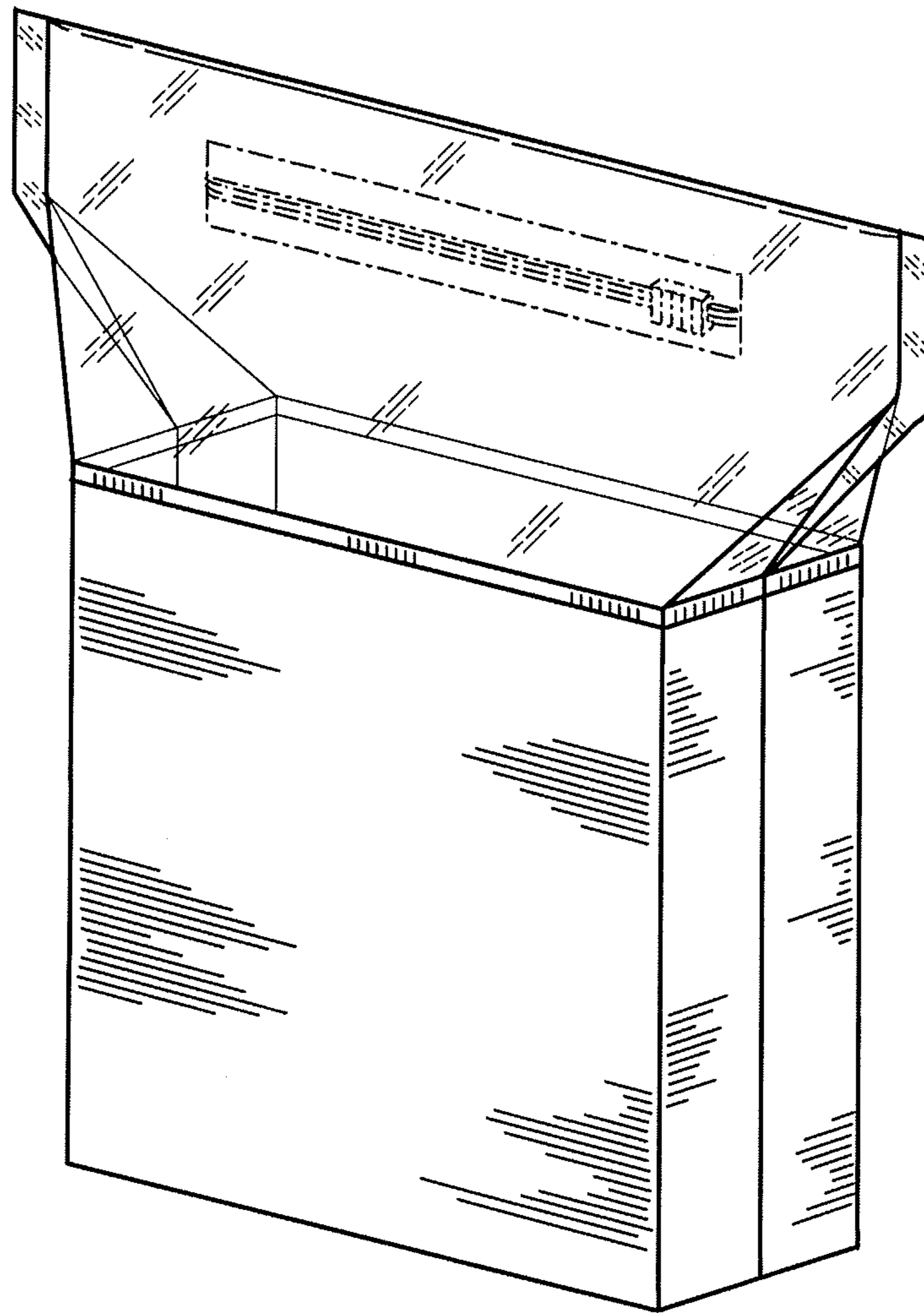


FIG. 1

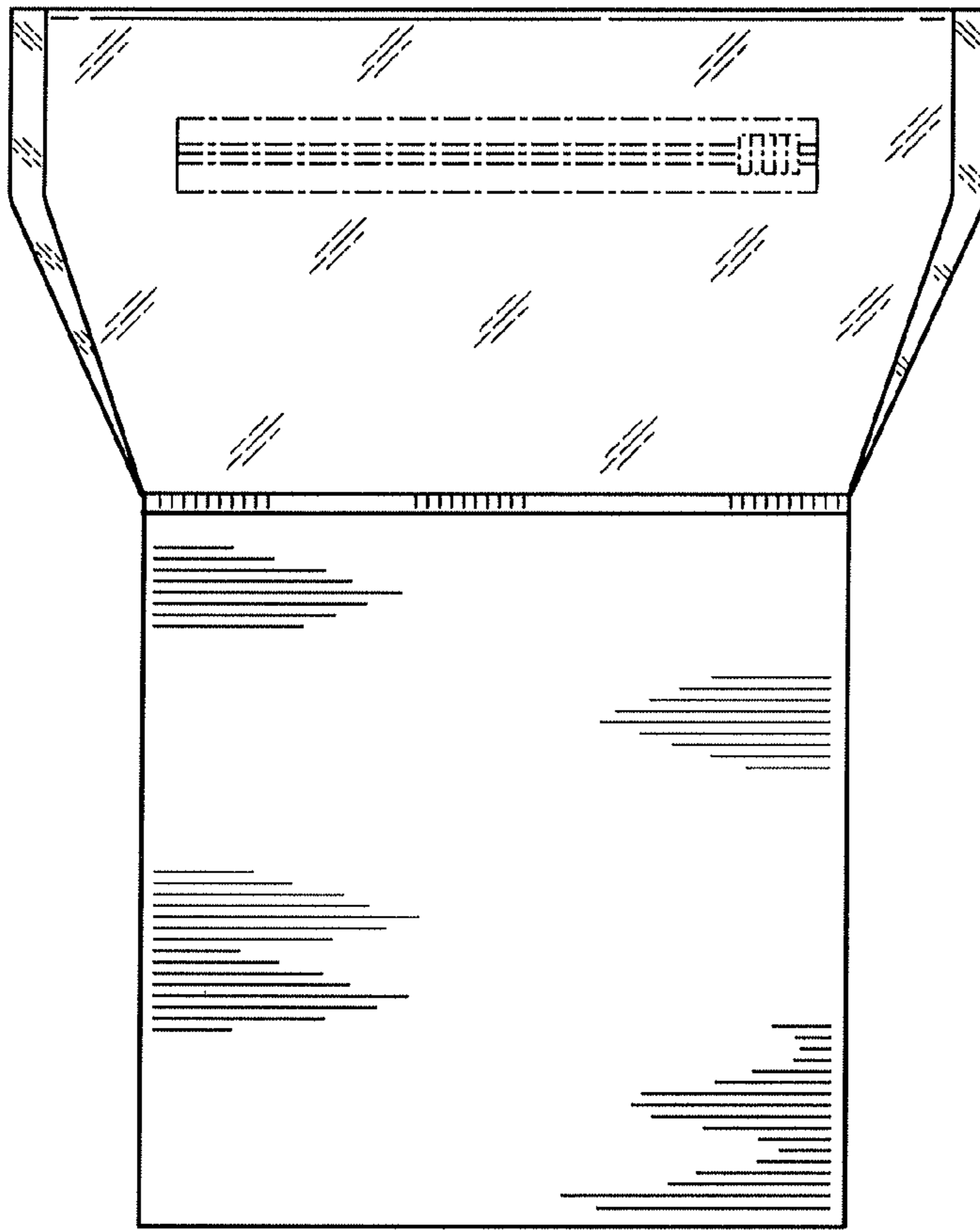


FIG. 2

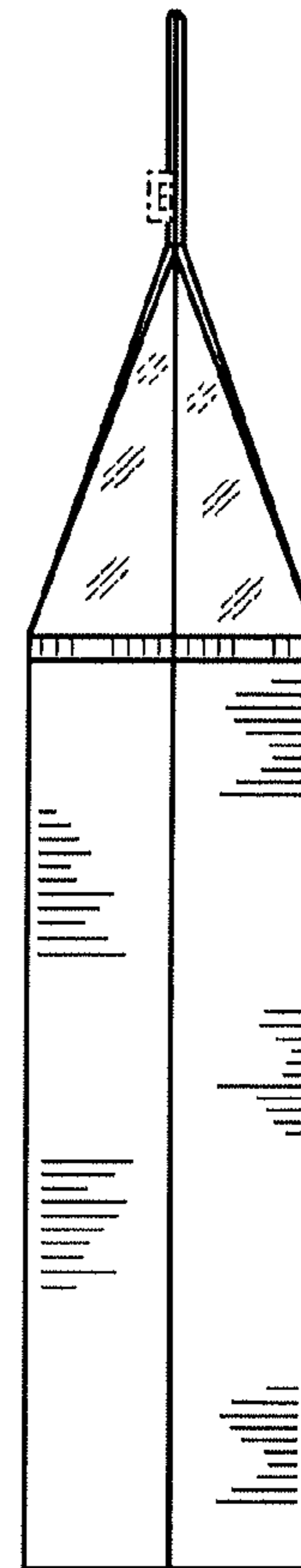


FIG. 3

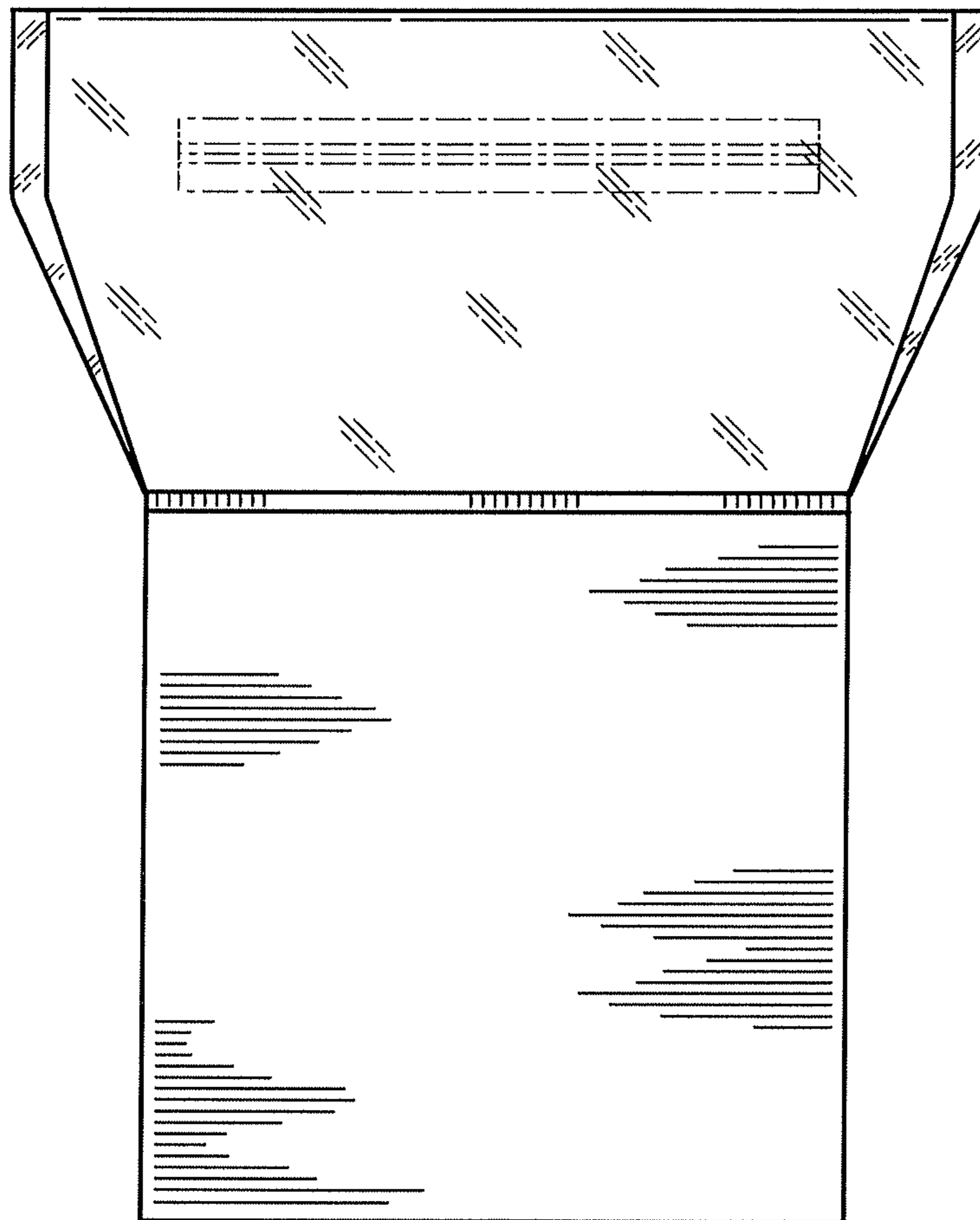


FIG. 4

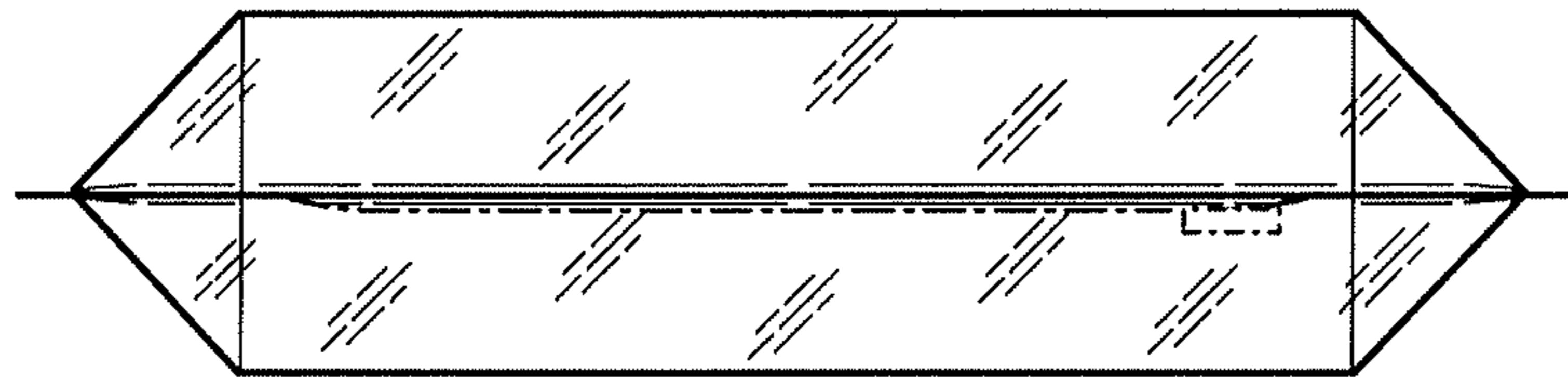


FIG. 5

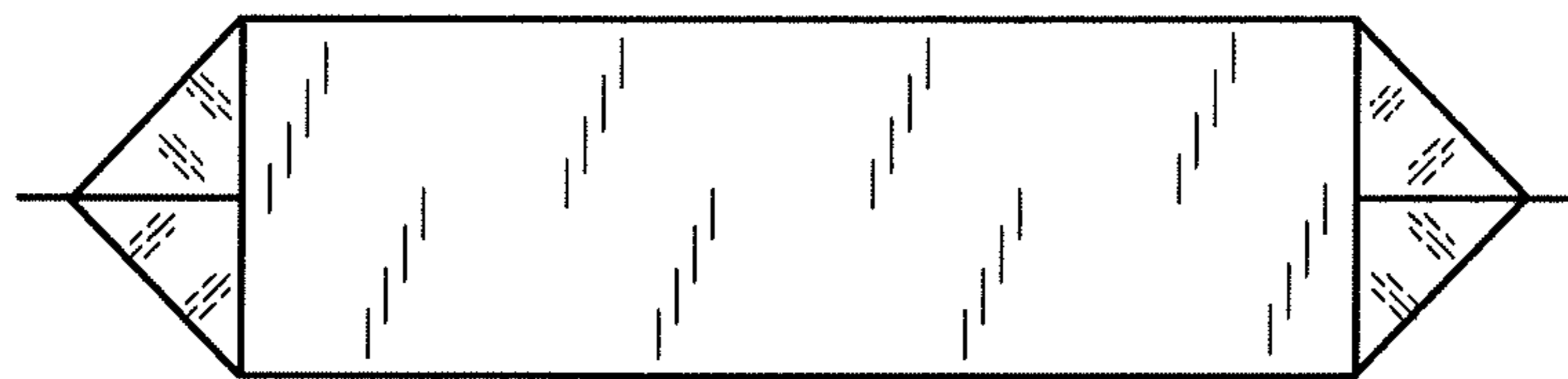


FIG. 6