



US00D717645S

(12) **United States Design Patent**
Wilmers

(10) **Patent No.:** **US D717,645 S**

(45) **Date of Patent:** **** Nov. 18, 2014**

(54) **PACKAGING FOR FOOD**

(71) Applicant: **Société des Produits Nestlé S.A.**, Vevey (CH)

(72) Inventor: **Kimberly Ann Wilmers**, Twin Lake, MI (US)

(73) Assignee: **Societe des Produits Nestle, S.A.**, Vevey (CH)

(**) Term: **14 Years**

(21) Appl. No.: **29/432,753**

(22) Filed: **Sep. 20, 2012**

(51) **LOC (10) Cl.** **09-03**

(52) **U.S. Cl.**
USPC **D9/432**

(58) **Field of Classification Search**

CPC B29L 2031/7162; B29L 2031/7164;
B29L 2031/7166; B65D 1/22; B65D 1/34;
B65D 5/00; B65D 5/002; B65D 5/0025;
B65D 5/067-5/069; B65D 5/20; B65D 5/24;
B65D 5/42; B65D 5/46; B65D 5/64; B65D
5/72; B65D 5/74; B65D 21/00; B65D 43/162;
B65D 81/02; B65D 81/3813; B65D 71/12;
B65D 71/40; B65D 71/46
USPC D9/415-419, 420-425, 428, 429-435,
D9/535, 536, 541-543, 560, 707-710, 719,
D9/734; D3/203.2, 272, 273, 294, 298,
D3/302-304; D7/538-542, 601, 602, 629
See application file for complete search history.

(56) **References Cited**

U.S. PATENT DOCUMENTS

D335,442 S * 5/1993 Detert et al. D9/761
D346,738 S * 5/1994 Kinigakis D9/711

D347,998 S * 6/1994 Steenwinkel D9/702
D432,414 S * 10/2000 Simpson et al. D9/711
D600,940 S * 9/2009 Eliš et al. D6/407
D600,964 S * 9/2009 Eliš et al. D6/626
D630,523 S * 1/2011 Dragoo et al. D9/711
D637,074 S * 5/2011 Maki et al. D9/417
D660,143 S * 5/2012 Stowe et al. D9/417
D670,999 S * 11/2012 Stowe et al. D9/416
D684,042 S * 6/2013 Betzig et al. D9/420
D696,109 S * 12/2013 Wilker D9/418

* cited by examiner

Primary Examiner — Susan Bennett Hattan

Assistant Examiner — Vy Koenig

(74) *Attorney, Agent, or Firm* — Gary M. Lobel

(57) **CLAIM**

The ornamental design for packaging for food, as shown and described.

DESCRIPTION

FIG. 1 is a front view of our new design for packaging for food.

FIG. 2 is a bottom view of our new design for packaging for food, the top view being identical thereto.

FIG. 3 is a left view of our new design for packaging for food.

FIG. 4 is a right view of our new design for packaging for food.

FIG. 5 is a rear view of our new design for packaging for food.

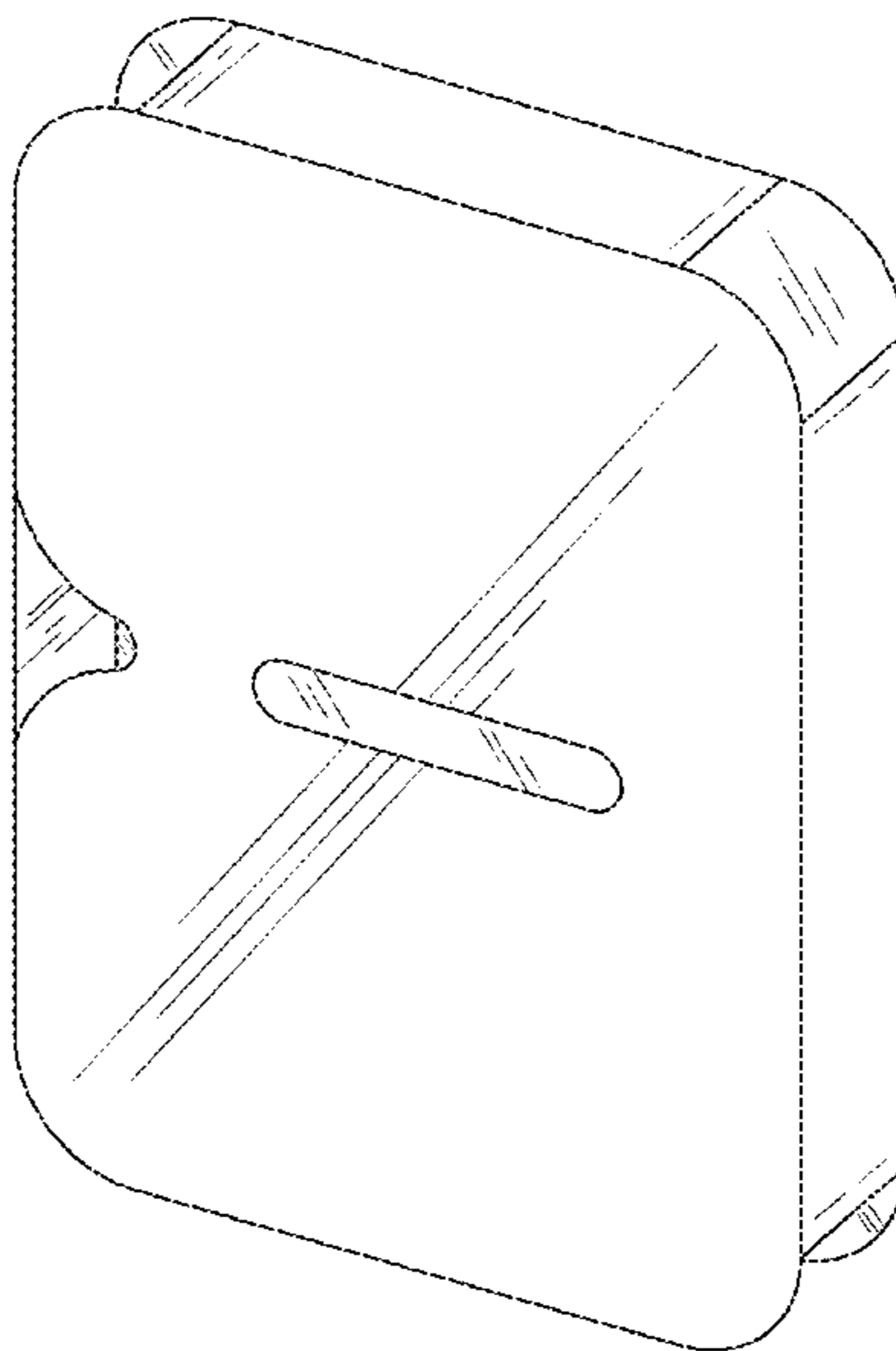
FIG. 6 is a perspective view showing the front, right, and top sides of our new design for packaging for food.

FIG. 7 is a perspective view showing the front, left, and bottom sides of our new design for packaging for food.

FIG. 8 is a perspective view showing the rear, bottom, and left sides of our new design for packaging for food; and,

FIG. 9 is a perspective view showing the rear, bottom, and right sides of our new design for packaging for food.

1 Claim, 6 Drawing Sheets



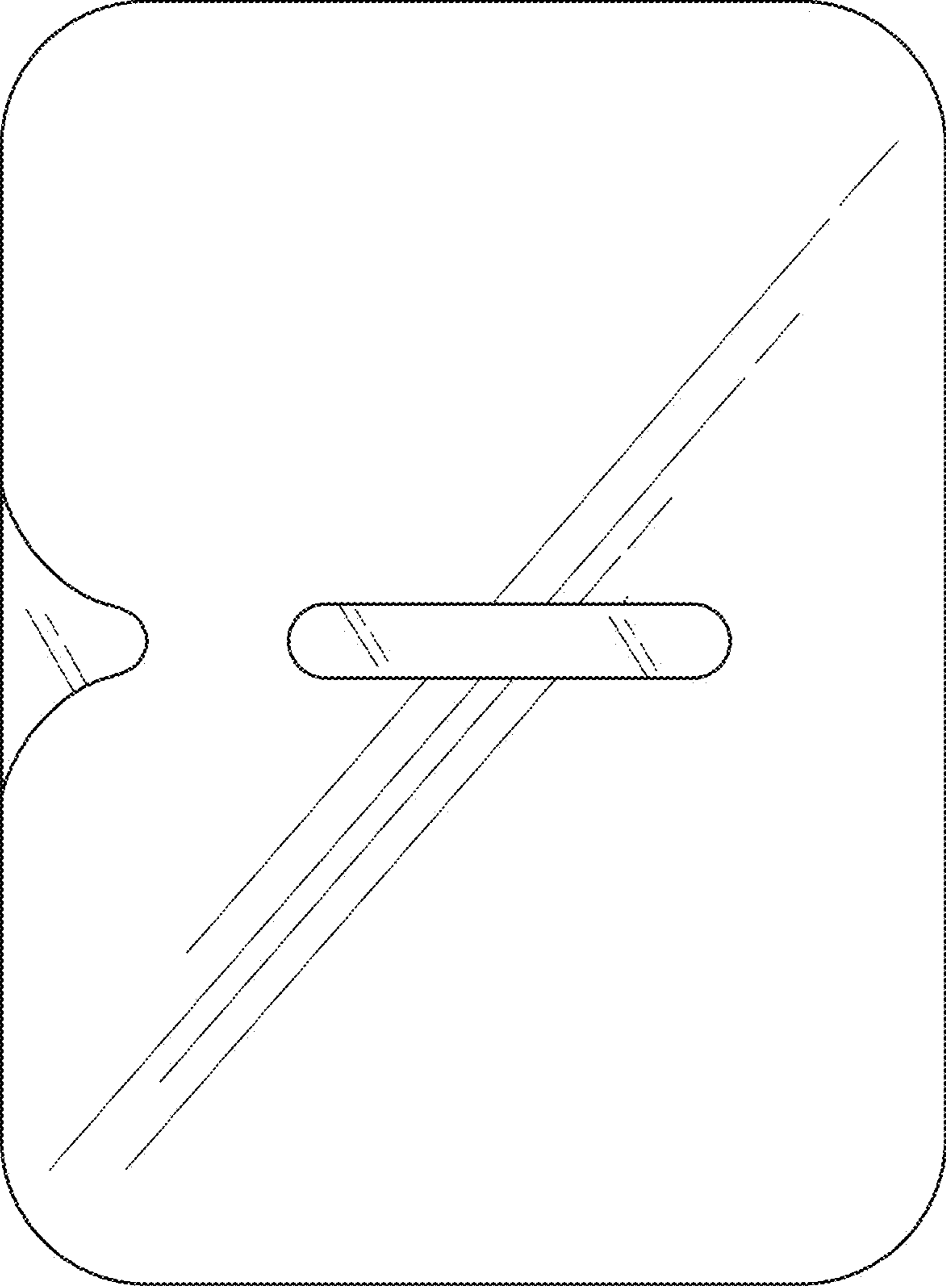


FIG. 1



FIG. 2

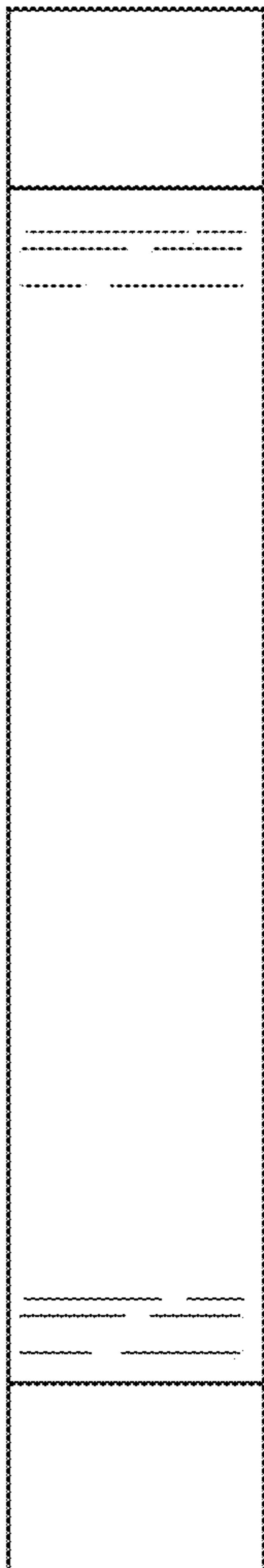


FIG. 3



FIG. 4

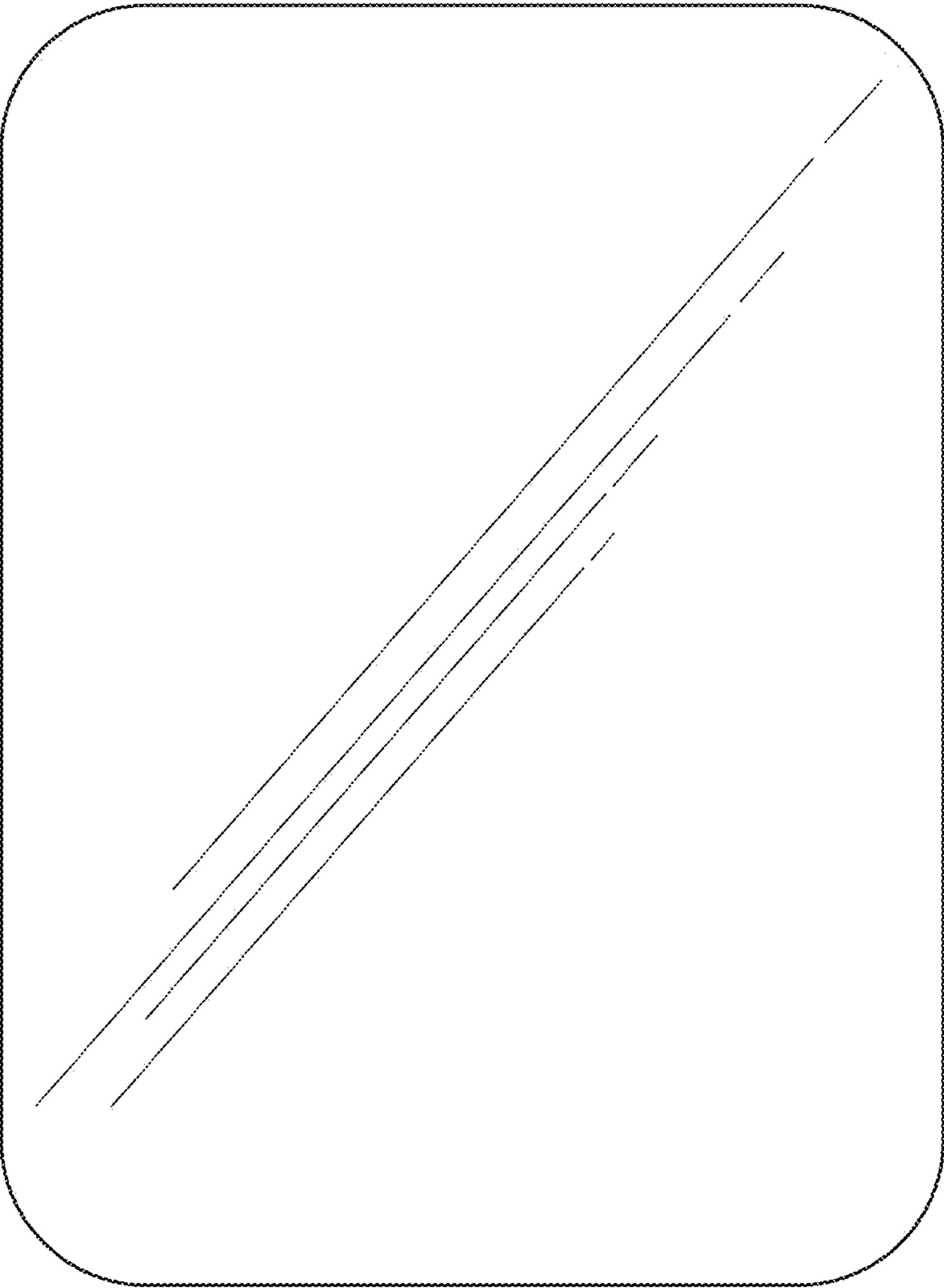


FIG. 5

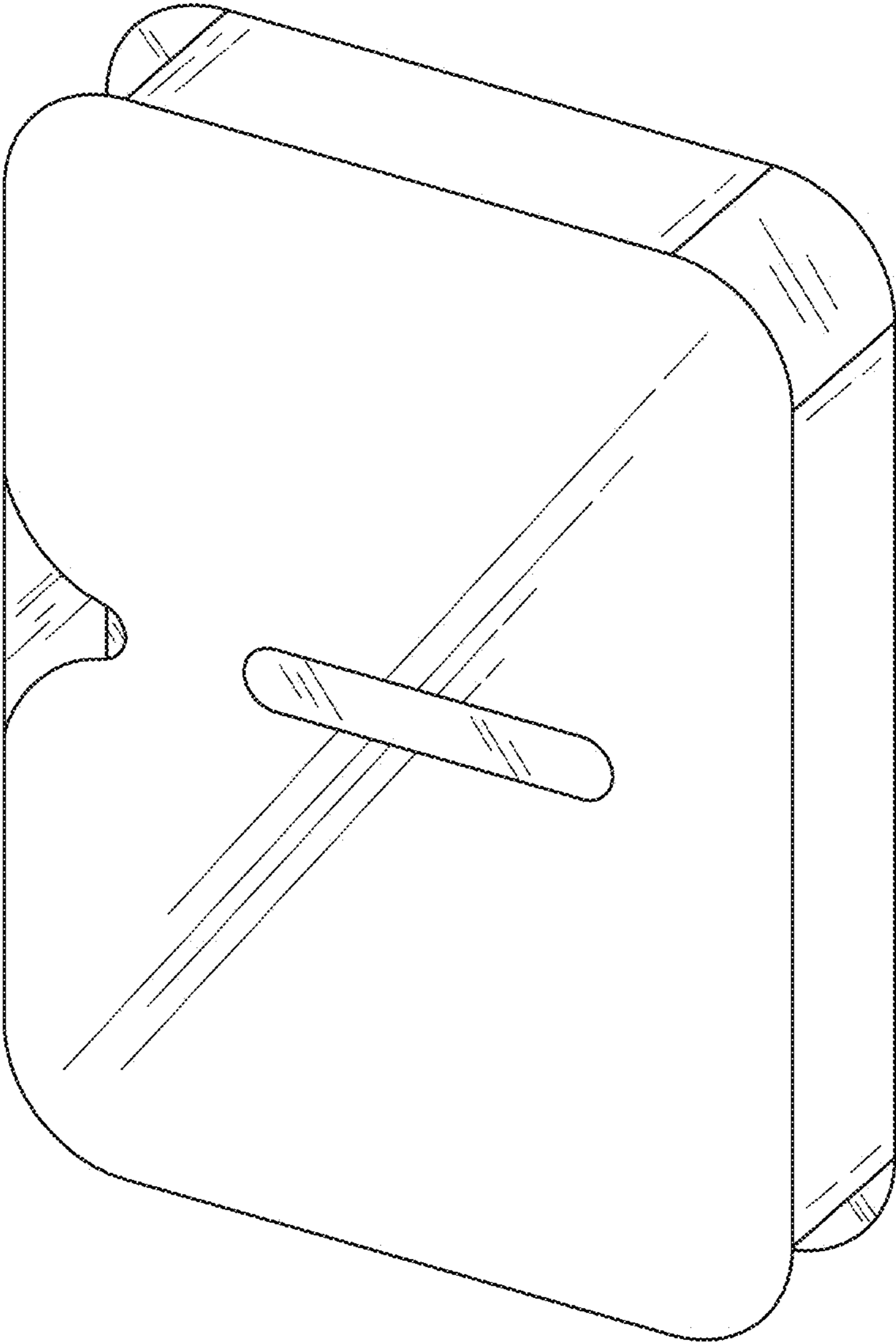


FIG. 6

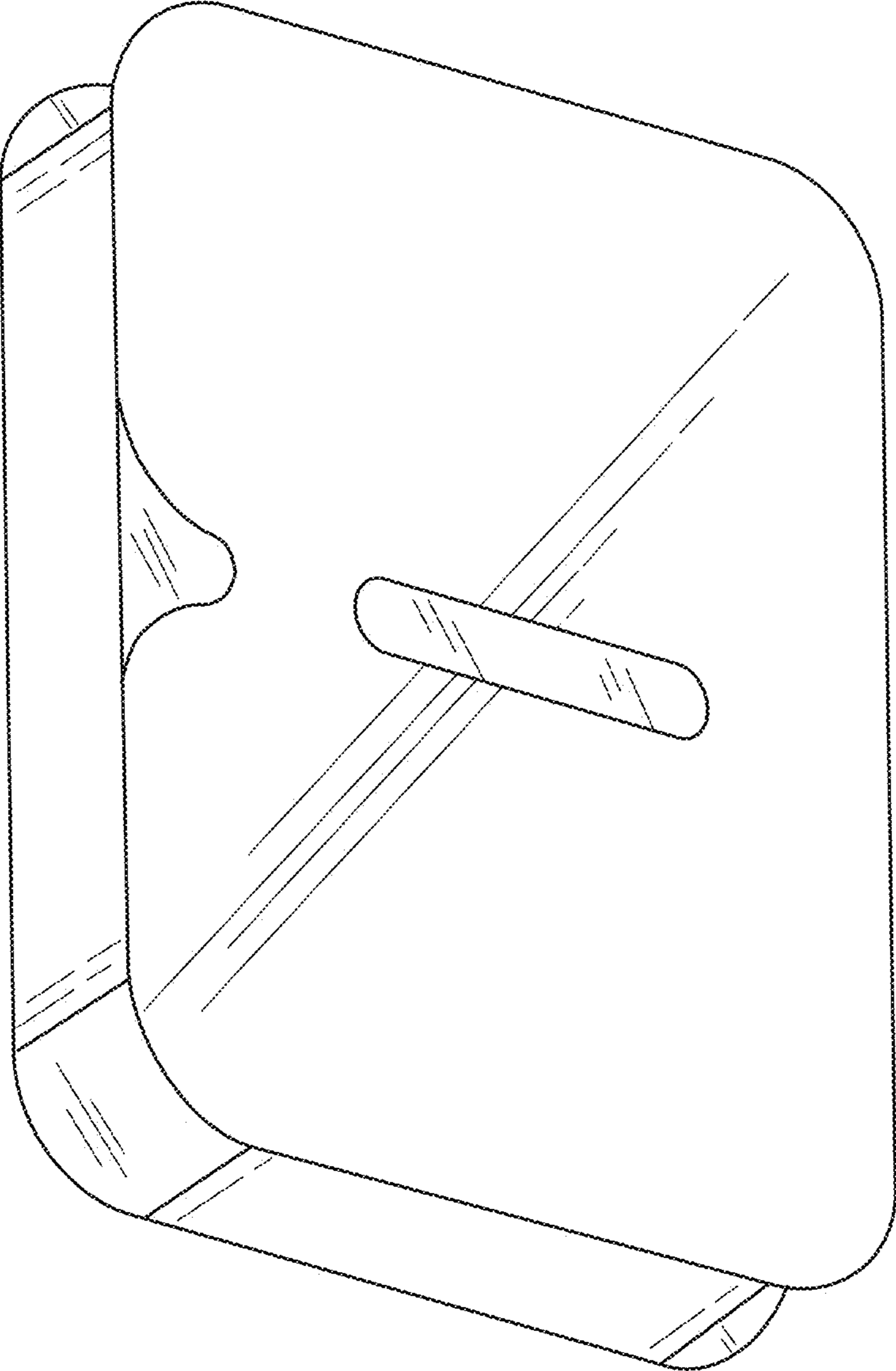


FIG. 7

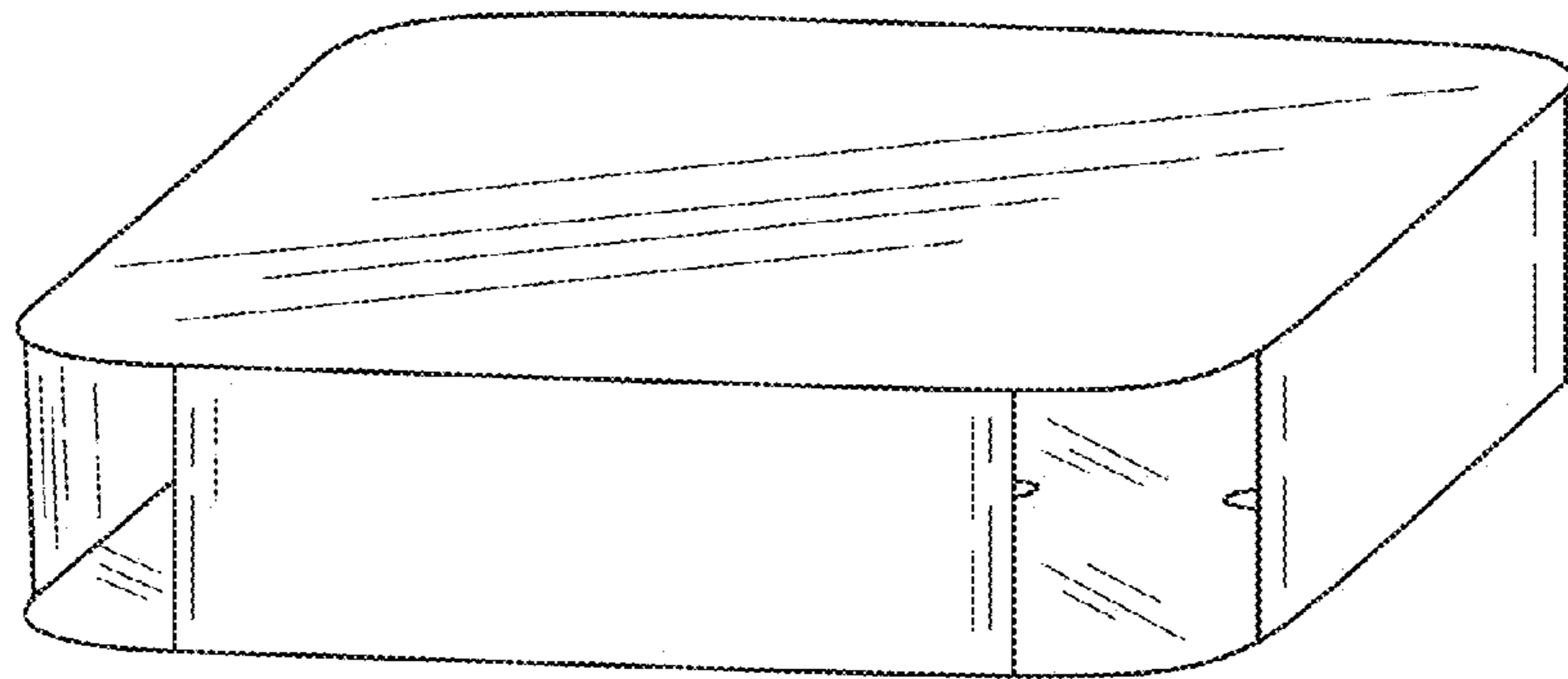


FIG. 8

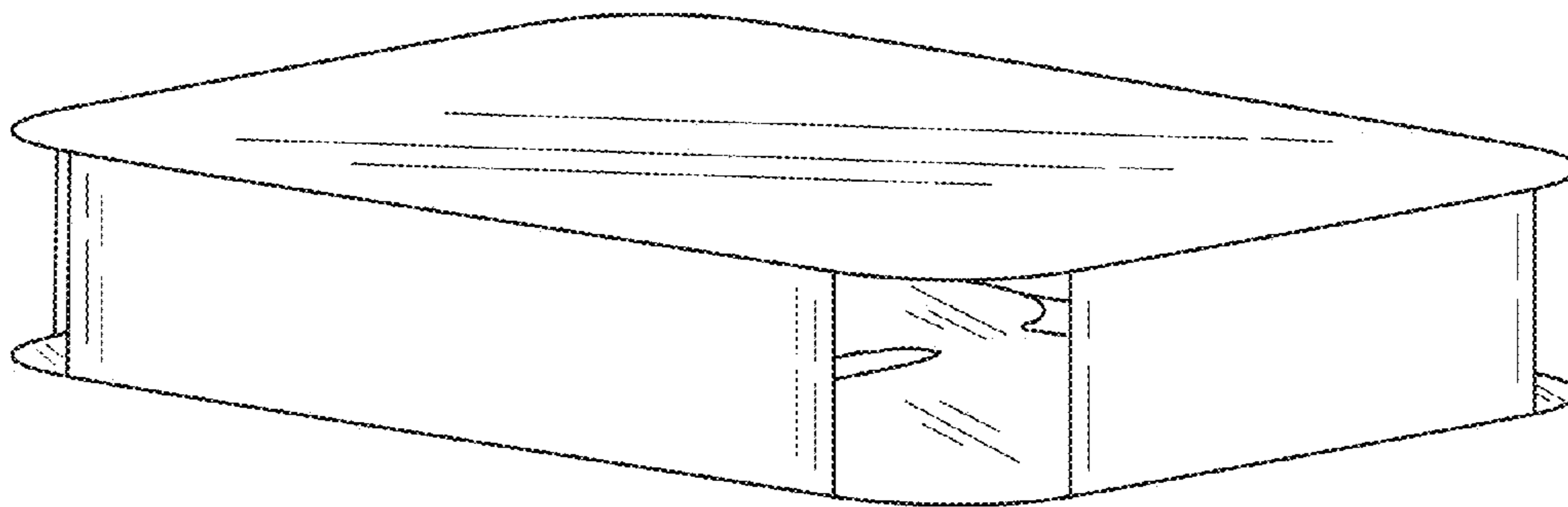


FIG. 9