

US00D717643S

(12) **United States Design Patent**
Wheeler

(10) **Patent No.:** **US D717,643 S**

(45) **Date of Patent:** **** Nov. 18, 2014**

(54) **TWIST-TIE POD**

(71) Applicant: **Milton D. Wheeler**, Honolulu, HI (US)

(72) Inventor: **Milton D. Wheeler**, Honolulu, HI (US)

(**) Term: **14 Years**

(21) Appl. No.: **29/460,976**

(22) Filed: **Jul. 17, 2013**

(51) **LOC (10) Cl.** **09-03**

(52) **U.S. Cl.**
USPC **D9/419**

(58) **Field of Classification Search**

USPC D9/419, 414, 415, 416, 428, 431, 457,
D9/455, 737, 432, 756, 731, 449, 715,
D9/529; D3/203.4; D6/515; D7/629;
206/303; 221/4-6, 312 R, 287, 174,
221/231, 235; 222/99, 100, 153.08, 153.01,
222/153.04, 548, 575, 613

See application file for complete search history.

(56) **References Cited**

U.S. PATENT DOCUMENTS

D322,030 S * 12/1991 Chumentì D9/415
D358,986 S * 6/1995 Heyl et al. D9/756
D460,916 S * 7/2002 Garrant et al. D9/731
D473,786 S * 4/2003 Chue D3/203.4
D484,795 S * 1/2004 Barnes et al. D9/414
D524,153 S * 7/2006 Reinhard D9/428
D527,627 S * 9/2006 Liebe D9/428

D535,556 S * 1/2007 Broderick et al. D9/416
D547,580 S * 7/2007 Wilfong, Jr. D6/515
D566,552 S * 4/2008 Vette D9/449
D568,692 S * 5/2008 Lam D7/629
D626,429 S * 11/2010 Selby D9/715
D626,432 S * 11/2010 Luciano et al. D9/731
D642,481 S * 8/2011 Proksch D9/731
D650,269 S * 12/2011 Berggren D9/428
D651,519 S * 1/2012 Gibson et al. D9/529
8,672,124 B2 * 3/2014 Burgess et al. 206/303

* cited by examiner

Primary Examiner — Ian Simmons

Assistant Examiner — Rhea Shields

(74) *Attorney, Agent, or Firm* — Leighton K. Chong

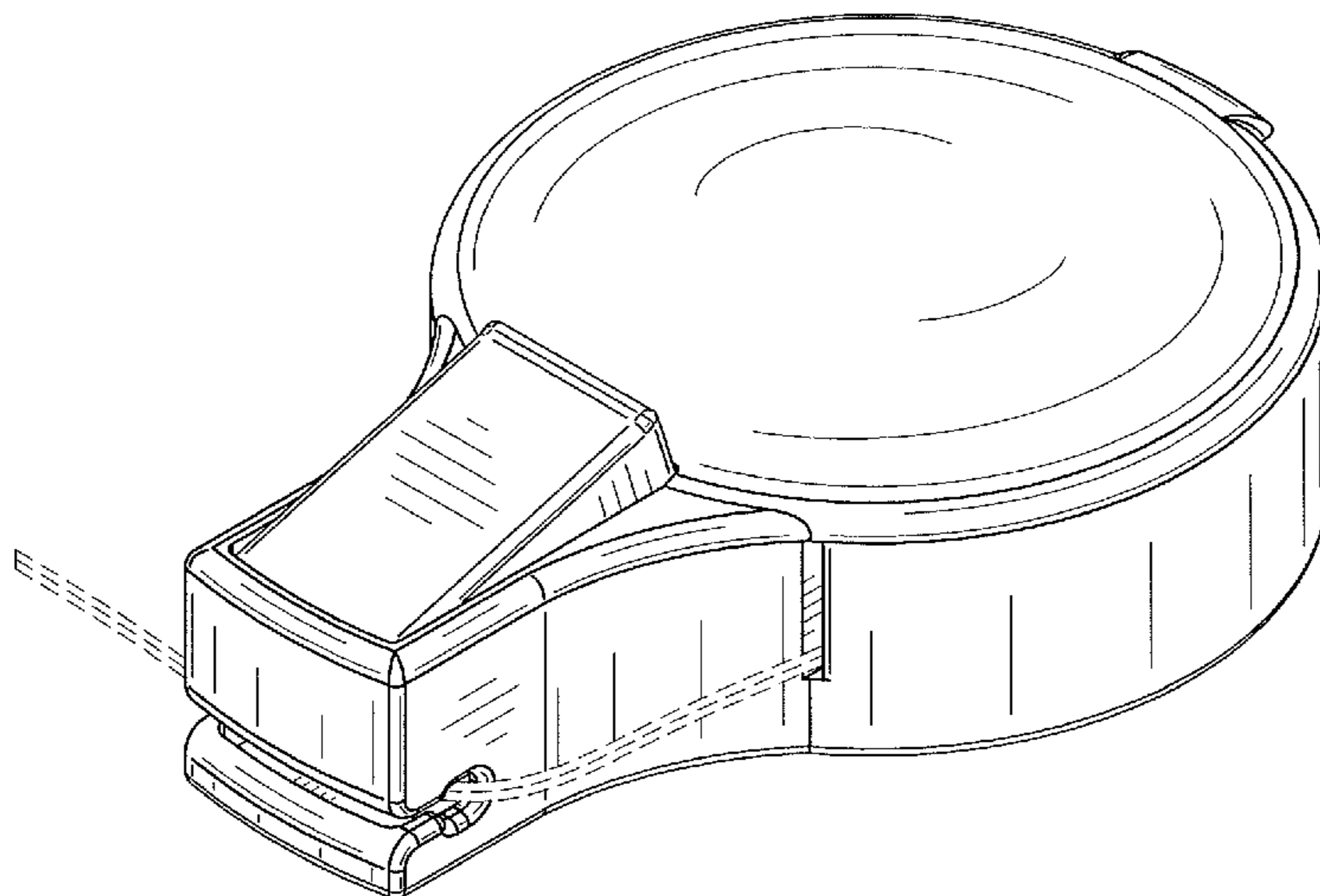
(57) **CLAIM**

The ornamental design for a twist-tie pod, as shown and described.

DESCRIPTION

FIG. 1 is a front perspective view of a twist-tie pod showing my new design, the broken line showing of the twist tie is to show an environment and forms no part of the claimed design; FIG. 2 is a bottom perspective view of the article in FIG. 1; FIG. 3 is a top view of the article in FIG. 1; FIG. 4 is a bottom view of the article in FIG. 1; FIG. 5 is a left side view of the article in FIG. 1; FIG. 6 is a right side view of the article in FIG. 1; FIG. 7 is a front end view of the article in FIG. 1; and, FIG. 8 is a back end view of the article in FIG. 1.

1 Claim, 4 Drawing Sheets



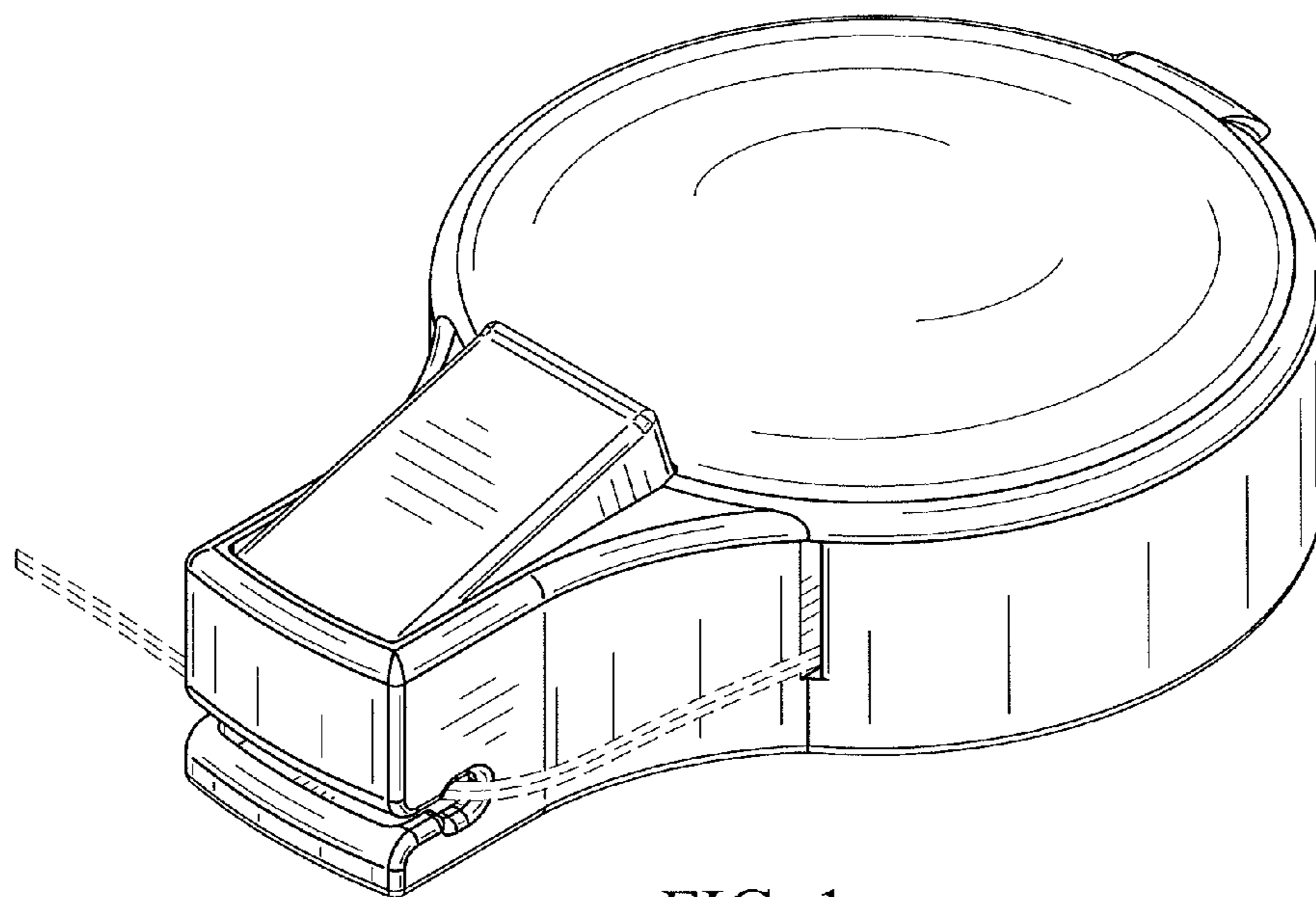


FIG. 1

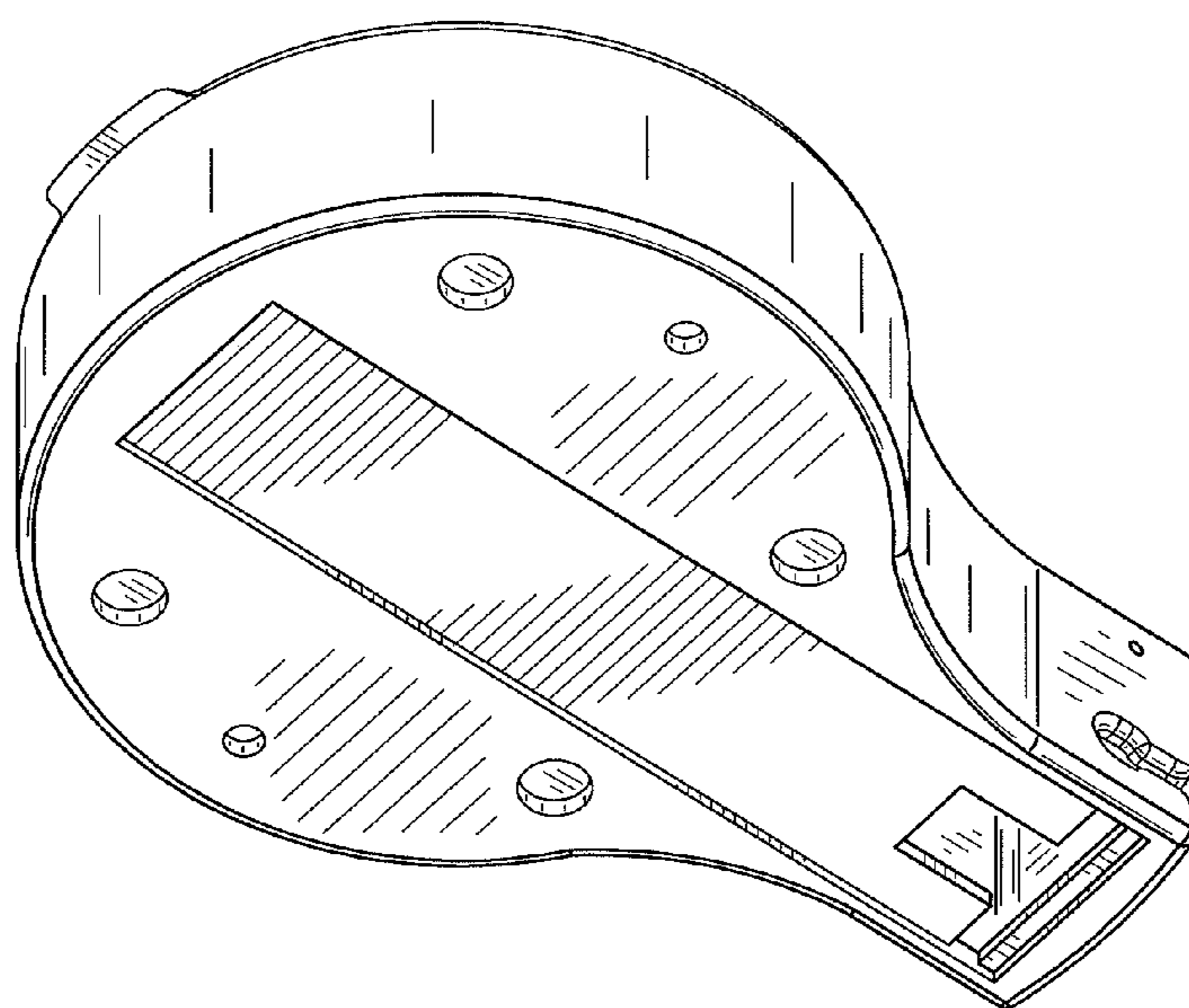


FIG. 2

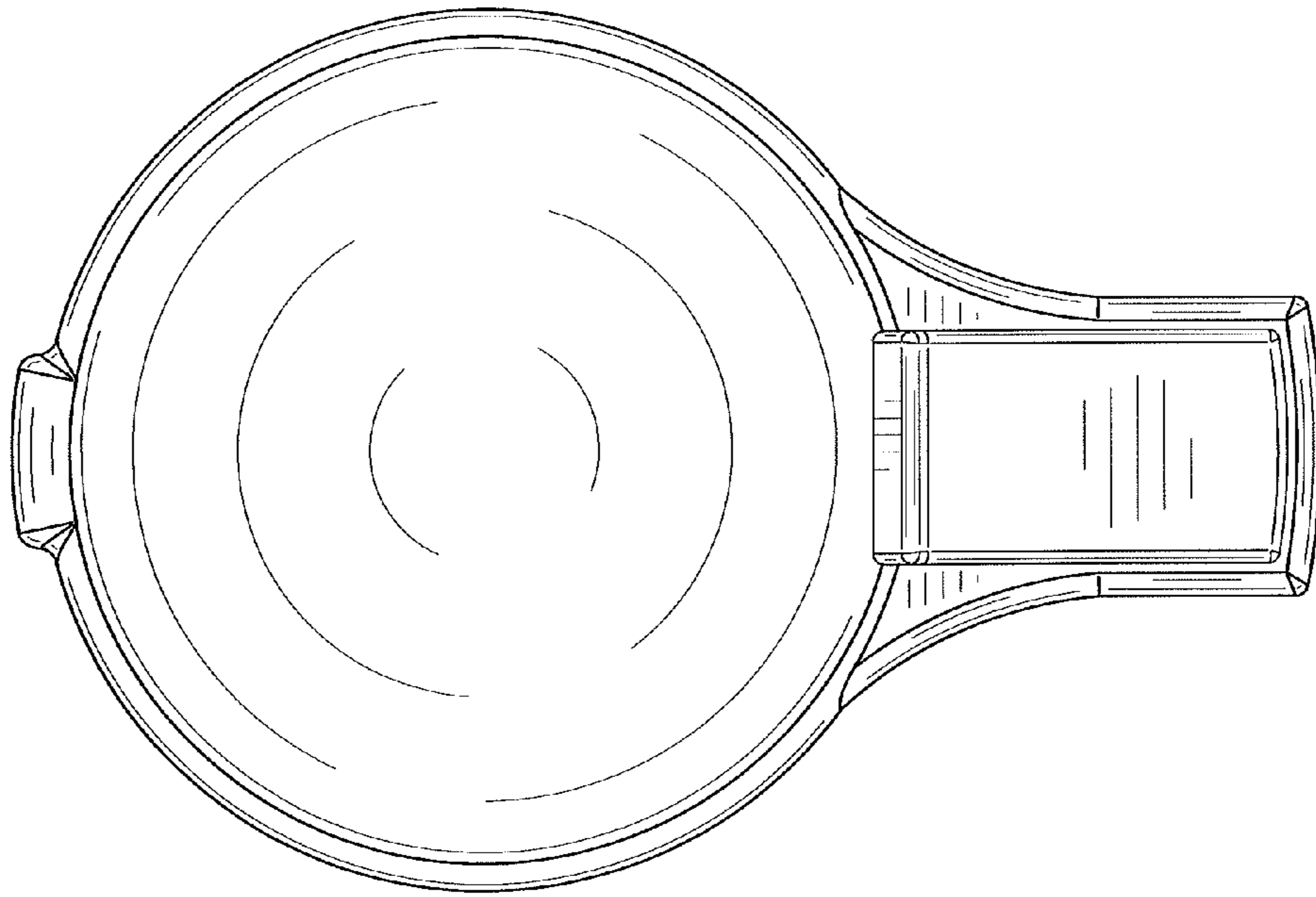


FIG. 3

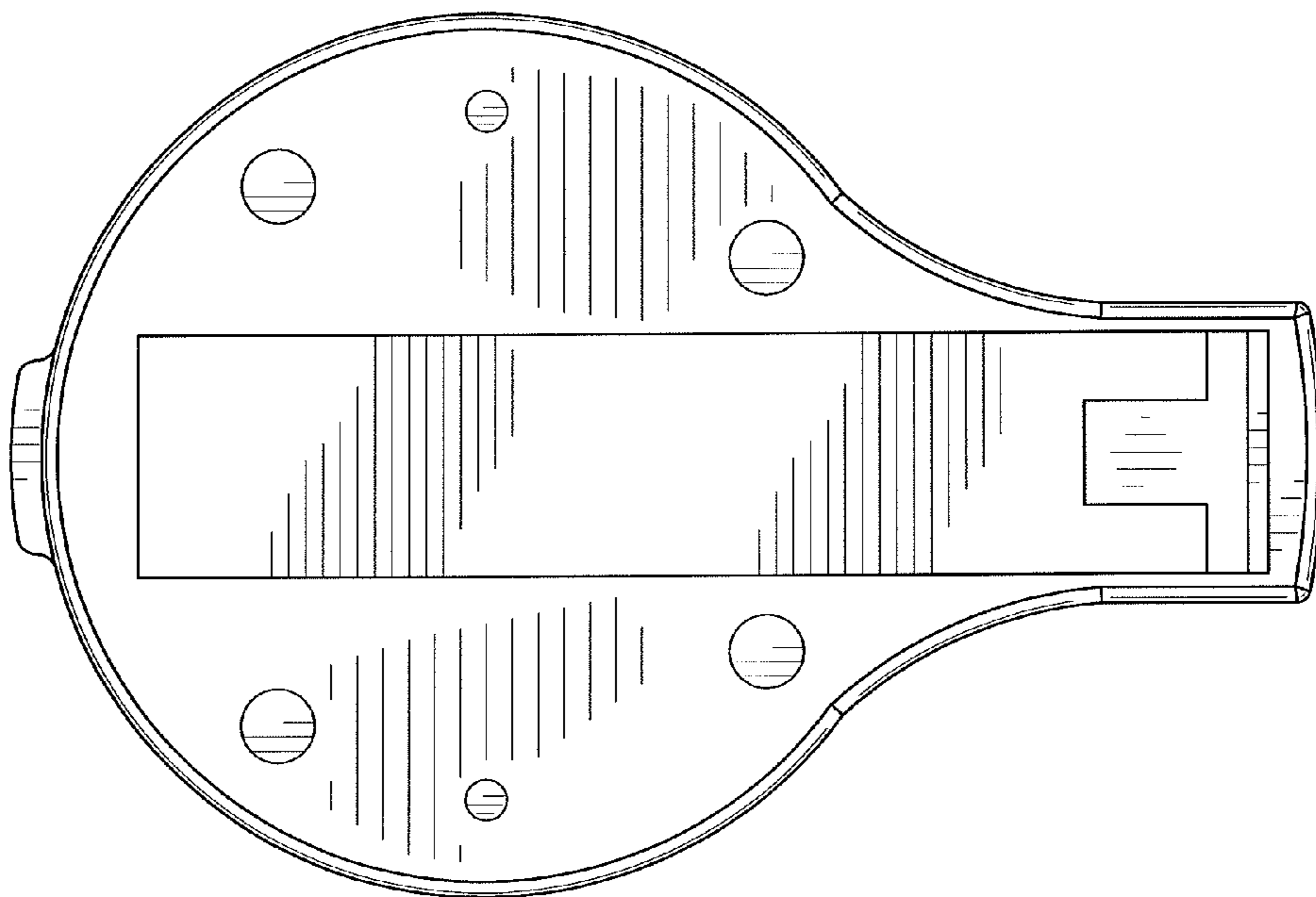


FIG. 4

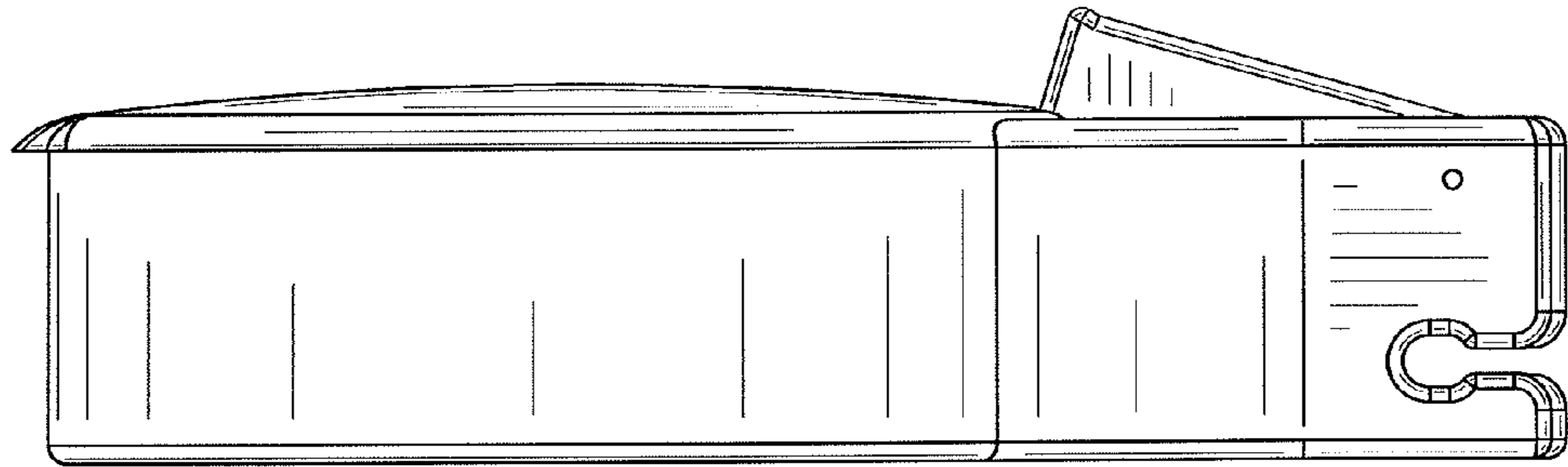


FIG. 5

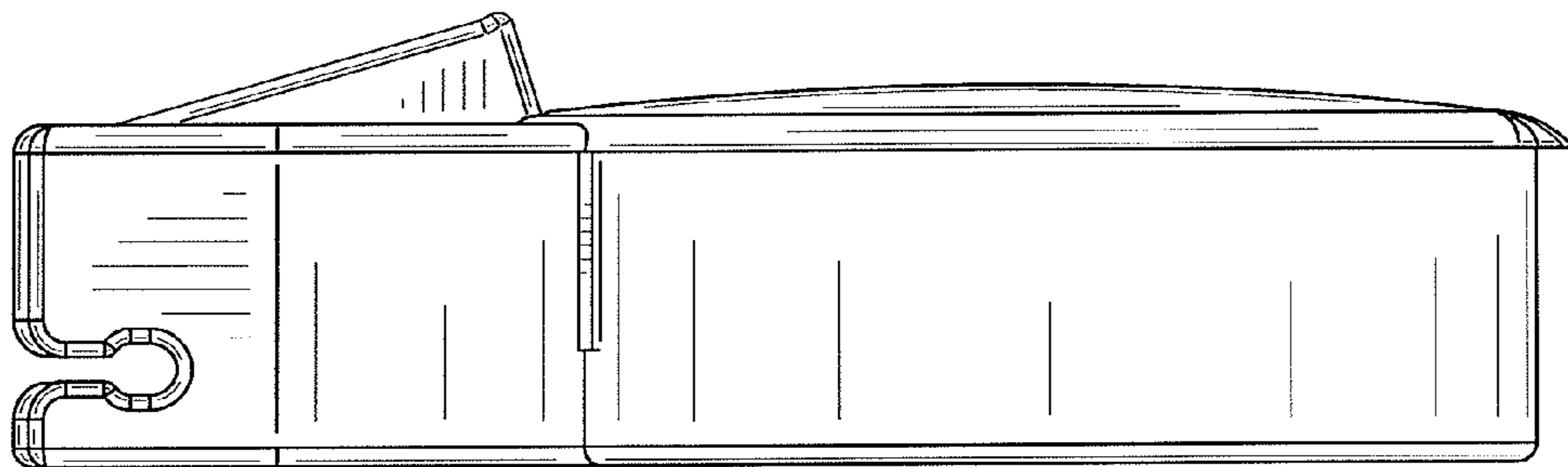


FIG. 6

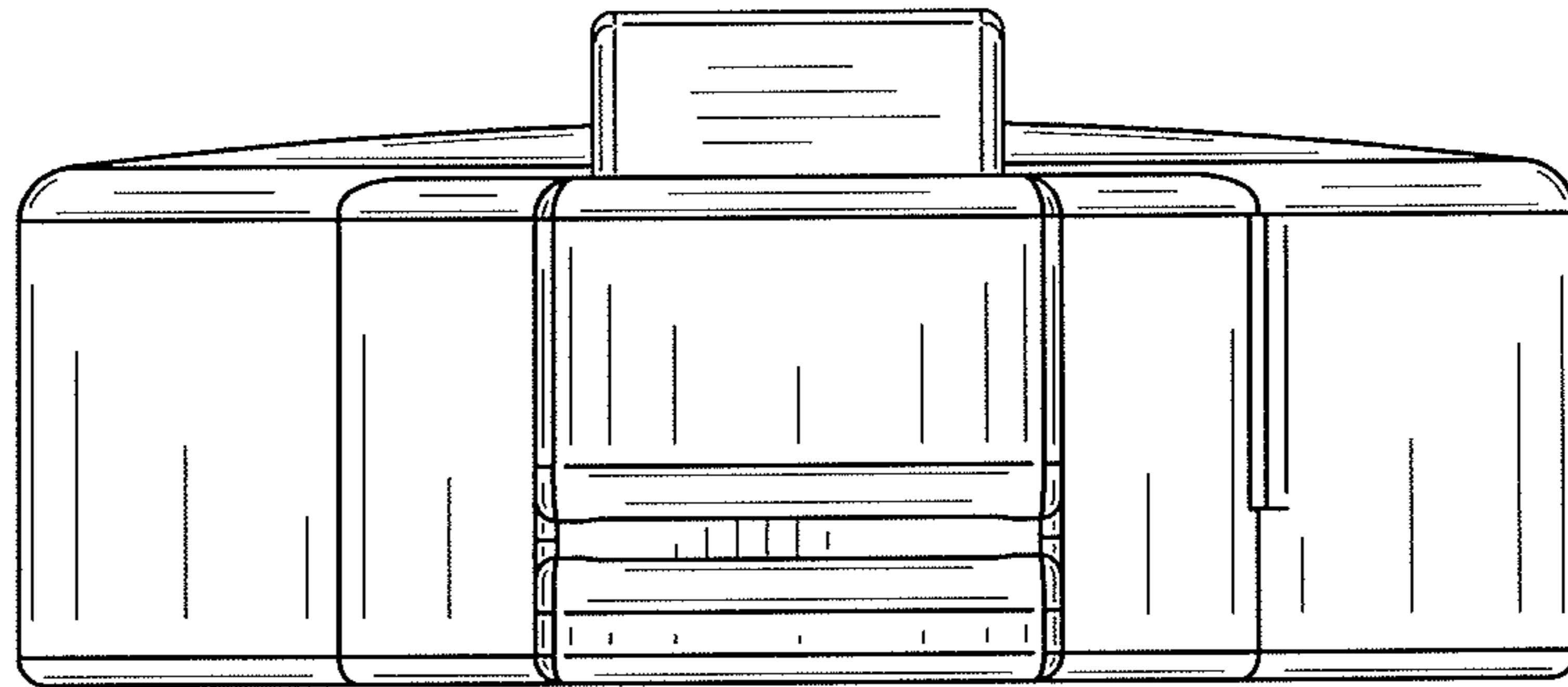


FIG. 7

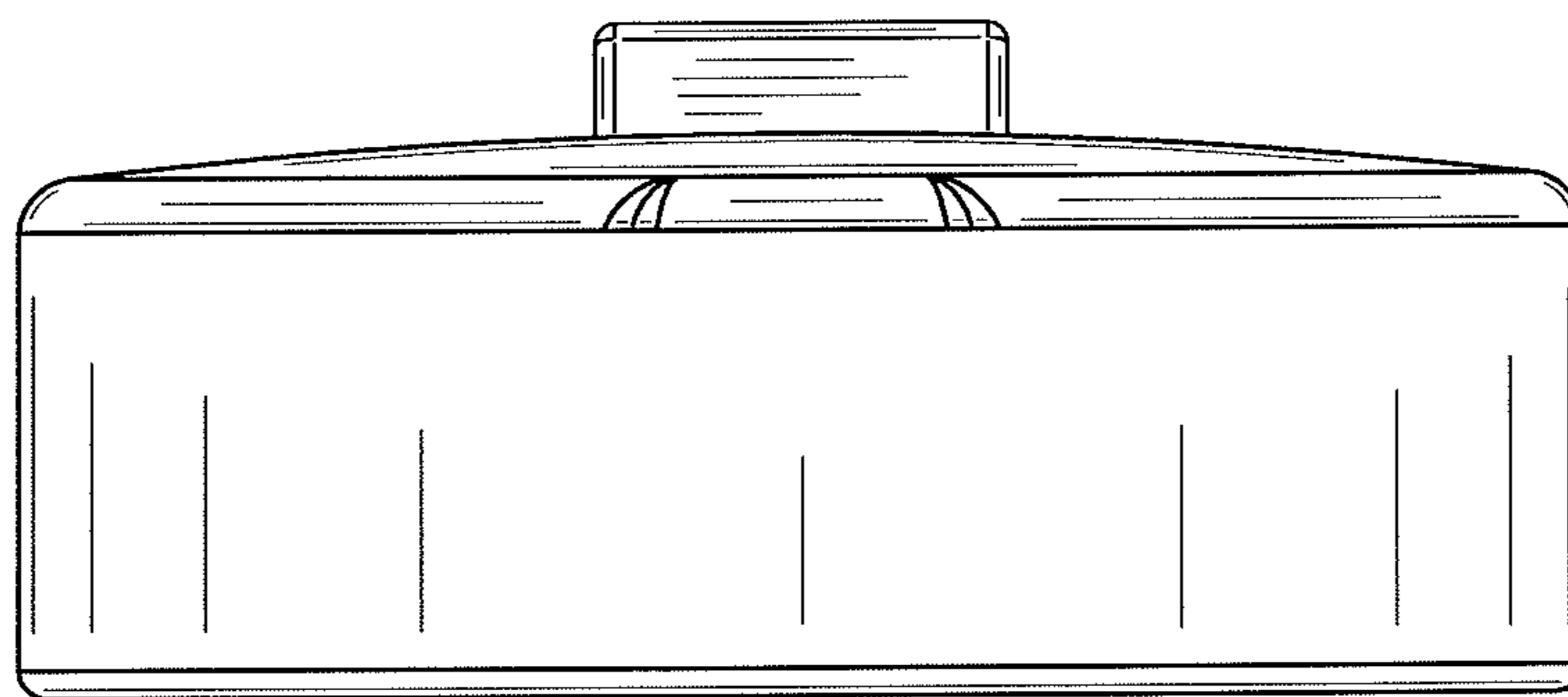


FIG. 8