



US00D717641S

(12) **United States Design Patent**  
**Hugo**

(10) **Patent No.:** **US D717,641 S**

(45) **Date of Patent:** **\*\* Nov. 18, 2014**

(54) **DOOR STOP**

(71) Applicant: **Victor E. Hugo**, St. Charles, MO (US)

(72) Inventor: **Victor E. Hugo**, St. Charles, MO (US)

(\*\*) Term: **14 Years**

(21) Appl. No.: **29/476,043**

(22) Filed: **Dec. 10, 2013**

(51) **LOC (10) Cl.** ..... **08-09**

(52) **U.S. Cl.**  
USPC ..... **D8/402**

(58) **Field of Classification Search**  
CPC . E05F 5/06; E05Y 2900/531; E05Y 2201/21;  
E05C 17/203; E05C 17/36  
USPC ..... D8/395, 400-404, 499, 391, 393, 388,  
D8/360, 376, 356; D9/434, 456, 614, 623,  
D9/628, 640, 673; 160/181; 248/200.1,  
248/354.1, 354.3; 211/105; 16/71, 72, 74,  
16/85, 86 R; 292/343, 342, 288  
See application file for complete search history.

(56) **References Cited**

**U.S. PATENT DOCUMENTS**

1,119,650	A	12/1914	Smith
1,129,010	A	2/1915	Pfau
1,154,148	A	9/1915	West
3,833,963	A	9/1974	Waters

3,977,714	A	8/1976	Trotter	
5,064,326	A *	11/1991	Davis et al.	411/368
5,199,759	A	4/1993	Anderson	
6,151,754	A *	11/2000	Chen	16/85
6,564,425	B2 *	5/2003	Audisio	16/86 B
D548,041	S *	8/2007	Littrell et al.	D8/331
7,367,596	B2 *	5/2008	Leung	292/281
7,383,614	B2 *	6/2008	Matsuki	16/86 B
D657,233	S *	4/2012	Penney et al.	D8/376
2014/0173852	A1 *	6/2014	Heninger	16/375

\* cited by examiner

*Primary Examiner* — Barbara Fox

*Assistant Examiner* — Chelsea Sealey

(74) *Attorney, Agent, or Firm* — Grace J. Fishel

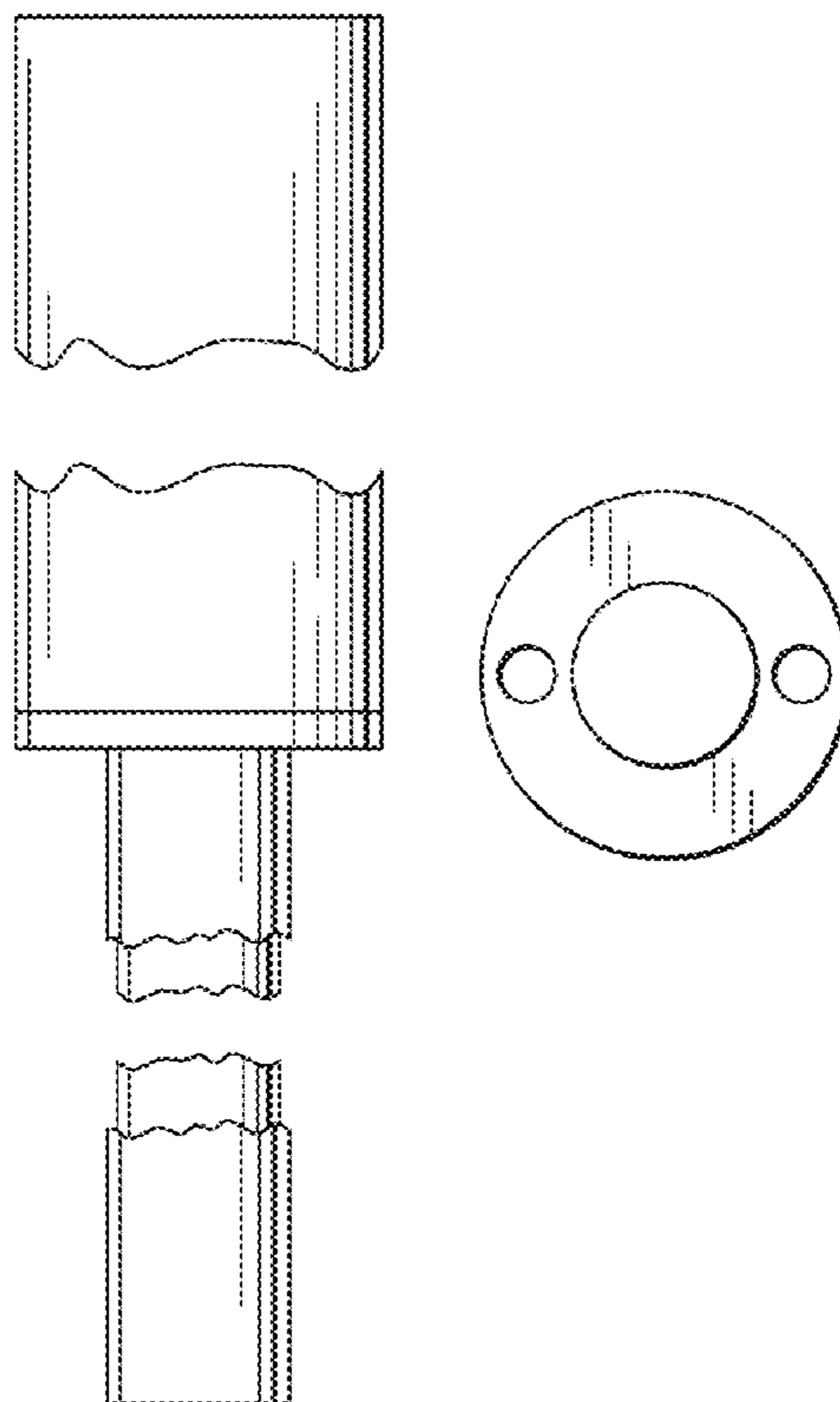
(57) **CLAIM**

The ornamental design for a door stop, as shown and described.

**DESCRIPTION**

FIG. 1 is an exploded perspective view of a door stop showing my new design in use;  
FIG. 2 is an assembled side elevation thereof;  
FIG. 3 is a top view thereof; and,  
FIG. 4 is a bottom view thereof.  
The floor, wall and door shown in broken lines in FIG. 1 denote the nature and environmental use of the design and are not part of the claimed design.

**1 Claim, 1 Drawing Sheet**



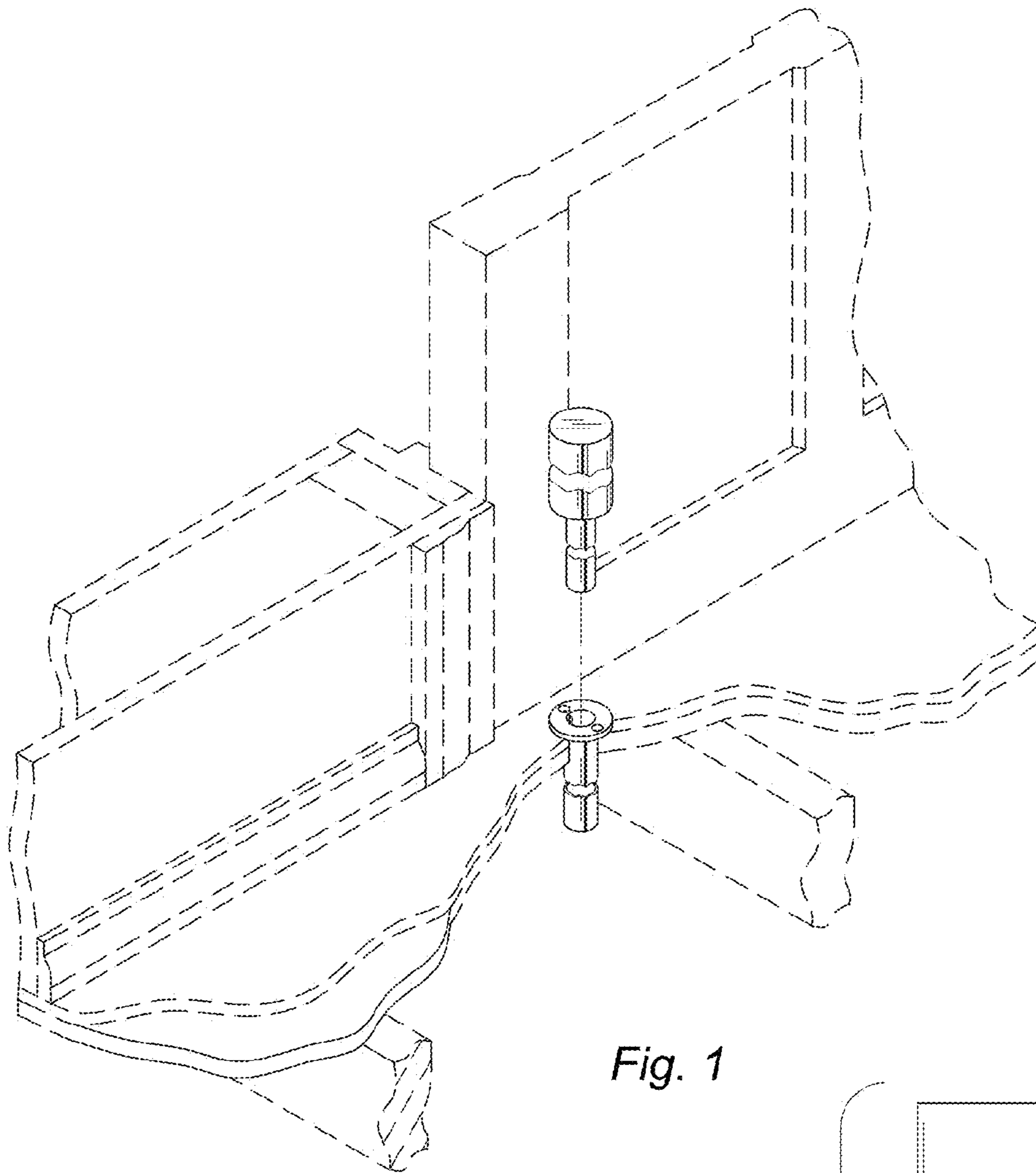


Fig. 1

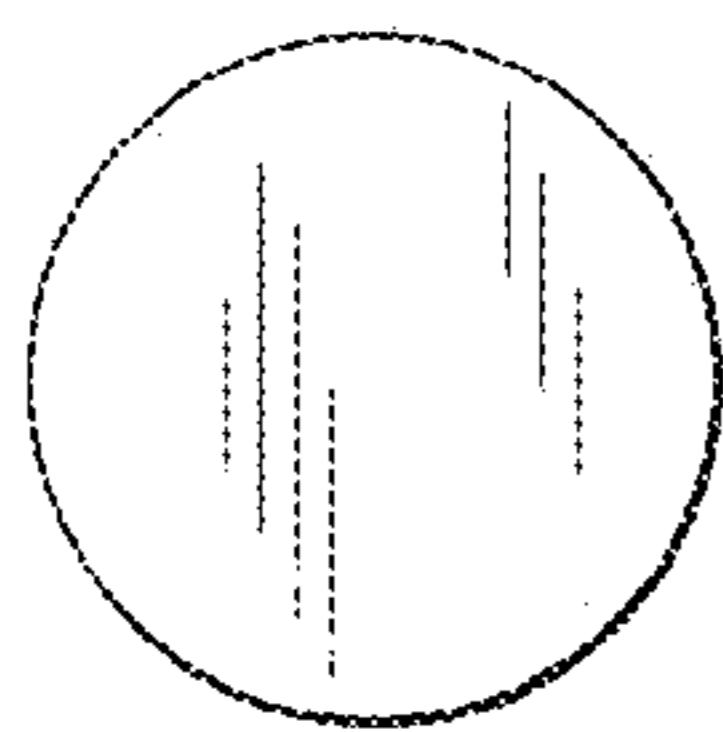


Fig. 3

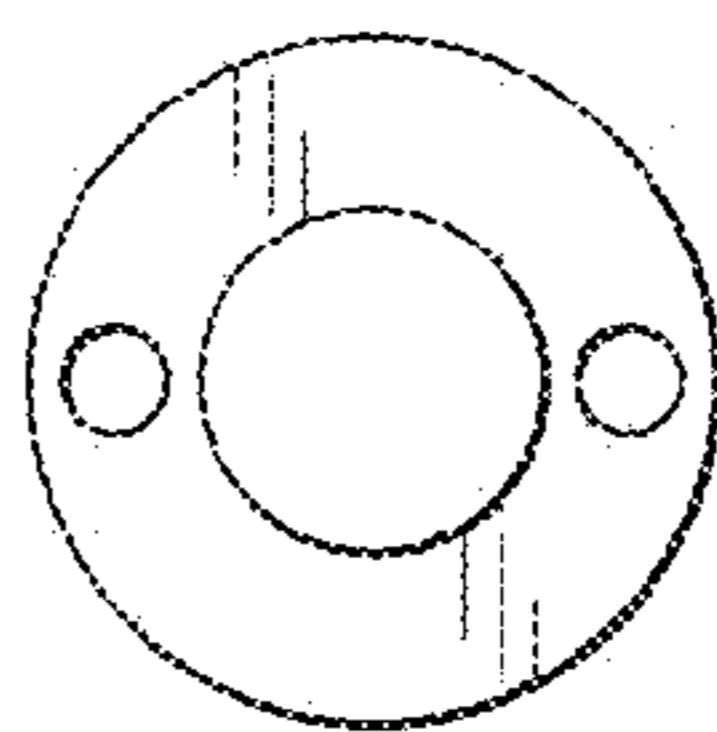


Fig. 4

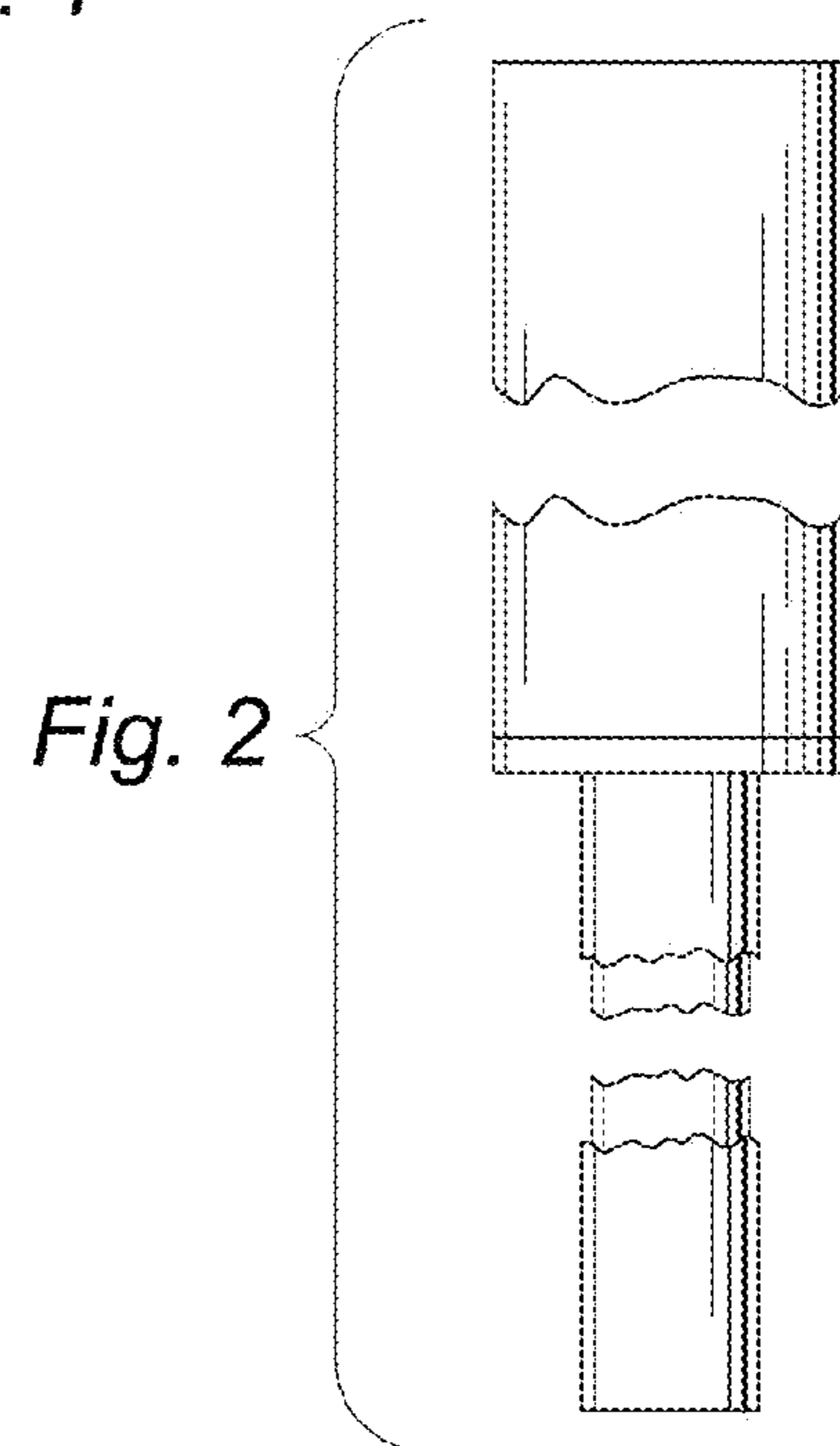


Fig. 2