



US00D717639S

(12) **United States Design Patent**
Austin

(10) **Patent No.:** **US D717,639 S**

(45) **Date of Patent:** **** Nov. 18, 2014**

(54) **CLIP FOR APPAREL OR HOUSEHOLD DECOR**

(71) Applicant: **Brenda Austin**, Herrin, IL (US)

(72) Inventor: **Brenda Austin**, Herrin, IL (US)

(**) Term: **14 Years**

(21) Appl. No.: **29/449,992**

(22) Filed: **Mar. 15, 2013**

(51) **LOC (10) Cl.** **08-08**

(52) **U.S. Cl.**
USPC **D8/395**

(58) **Field of Classification Search**
USPC D8/354, 356, 371, 394-396; D19/65,
D19/86; D24/128; 248/74.2, 215, 227.1, 49,
248/300, 301, 316.7, 51, 489; 24/570, 3.12;
D32/61; D11/78.1

See application file for complete search history.

(56) **References Cited**

U.S. PATENT DOCUMENTS

1,857,488 A * 5/1932 Weeks 24/563
2,595,843 A * 5/1952 Grabhorn 150/137
2,614,305 A * 10/1952 Yearley 24/3.8
D239,147 S * 3/1976 Karlsen D11/215

4,226,006 A * 10/1980 Toyama 24/3.12
D301,017 S * 5/1989 Norman et al. D10/68
5,201,799 A * 4/1993 Johnson 60/800
D355,097 S * 2/1995 Ostensen D7/601
D363,453 S * 10/1995 Herdt D11/78.1
5,538,311 A * 7/1996 Fusco et al. 296/97.5
D393,813 S * 4/1998 Herdt D11/78.1
5,970,777 A * 10/1999 Hunt et al. 72/379.2
D492,351 S * 6/2004 Sato et al. D19/65
D581,311 S * 11/2008 Cornett D11/78.1
D597,827 S * 8/2009 Brassard D8/395
D613,796 S * 4/2010 Kim D19/86
D623,048 S * 9/2010 Moy D8/395
D636,293 S * 4/2011 Dolce et al. D11/222
D674,274 S * 1/2013 Gasparino D8/395

* cited by examiner

Primary Examiner — John Windmuller

(74) *Attorney, Agent, or Firm* — Julie A. Tennyson

(57) **CLAIM**

I claim the ornamental design for a clip for apparel or household decor, as shown and described.

DESCRIPTION

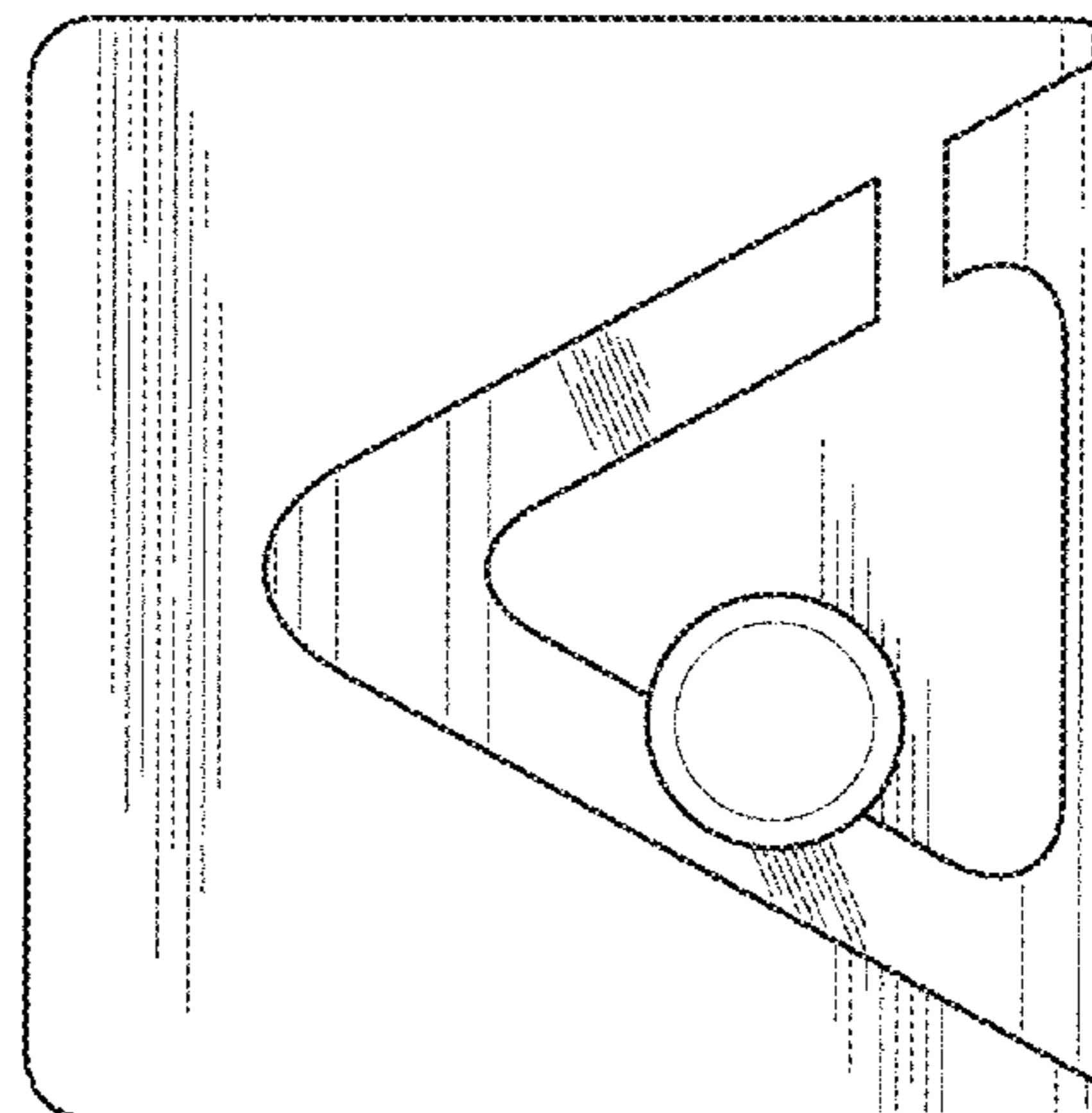
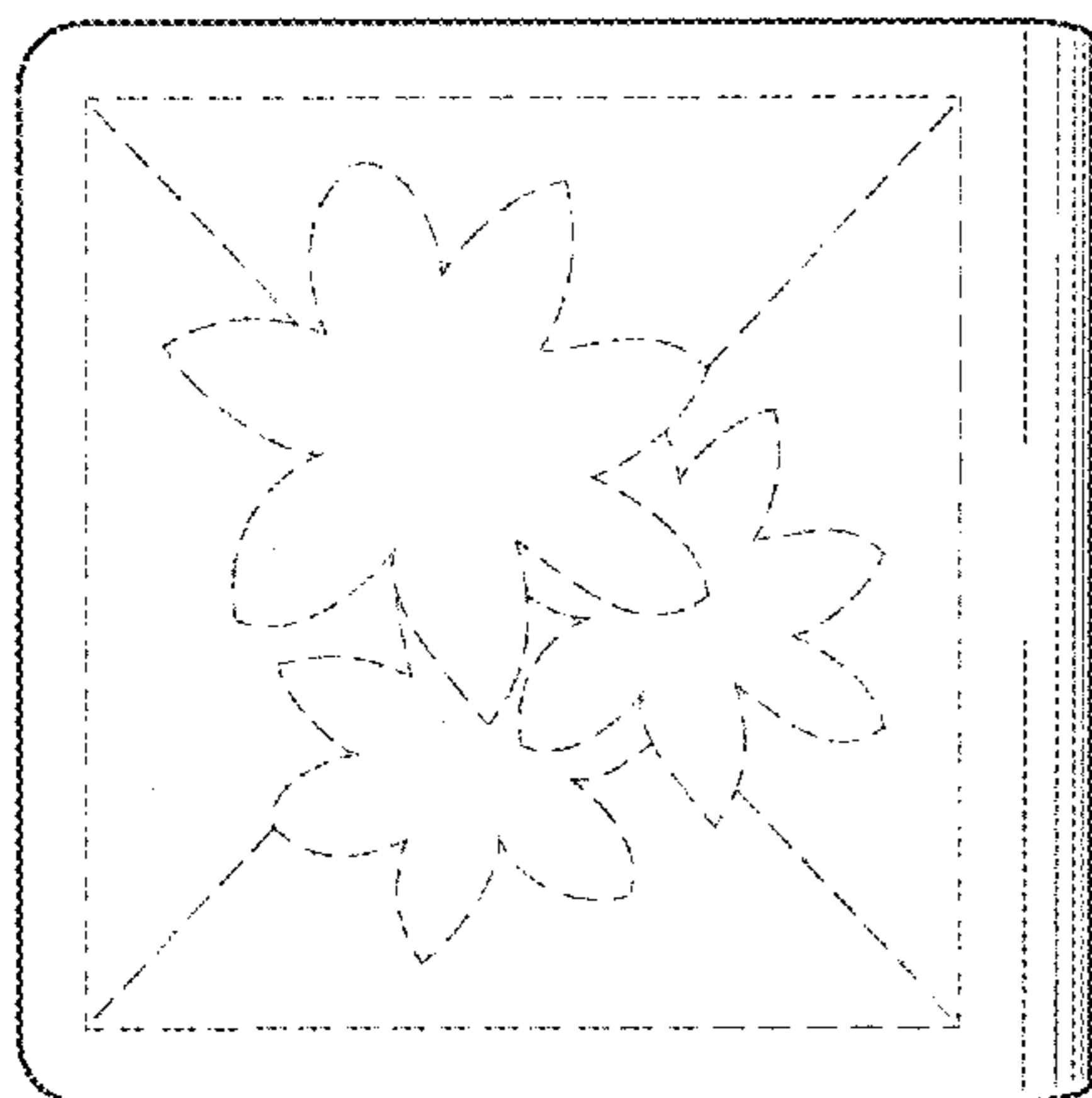
FIG. 1 is a top plan view of the clip with a designation for any type of optional design.

FIG. 2 is a bottom plan view of the clip.

FIG. 3 is a front plan view of the clip; and,

FIG. 4 is a side plan view of the clip.

1 Claim, 4 Drawing Sheets



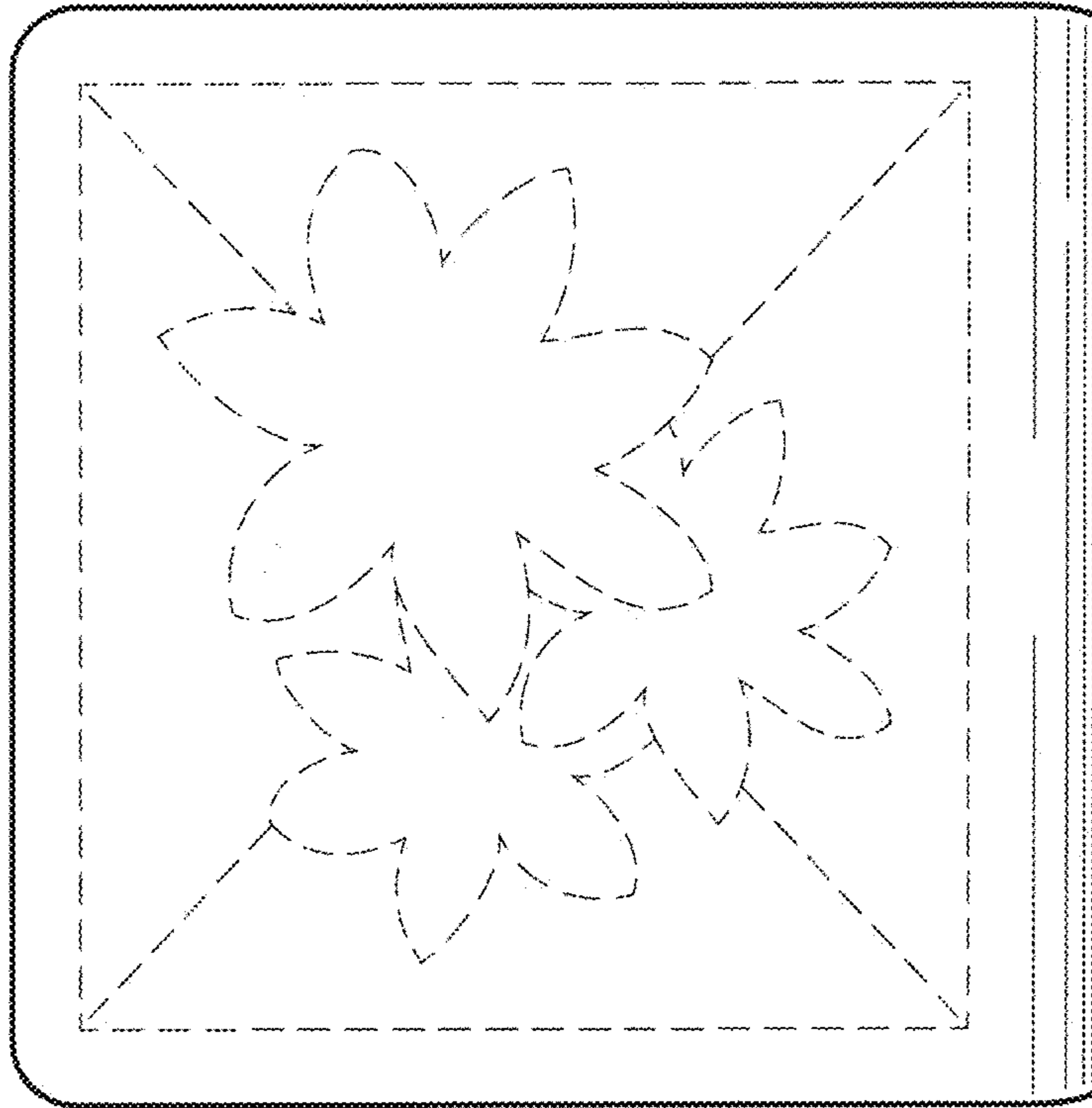


Figure 1

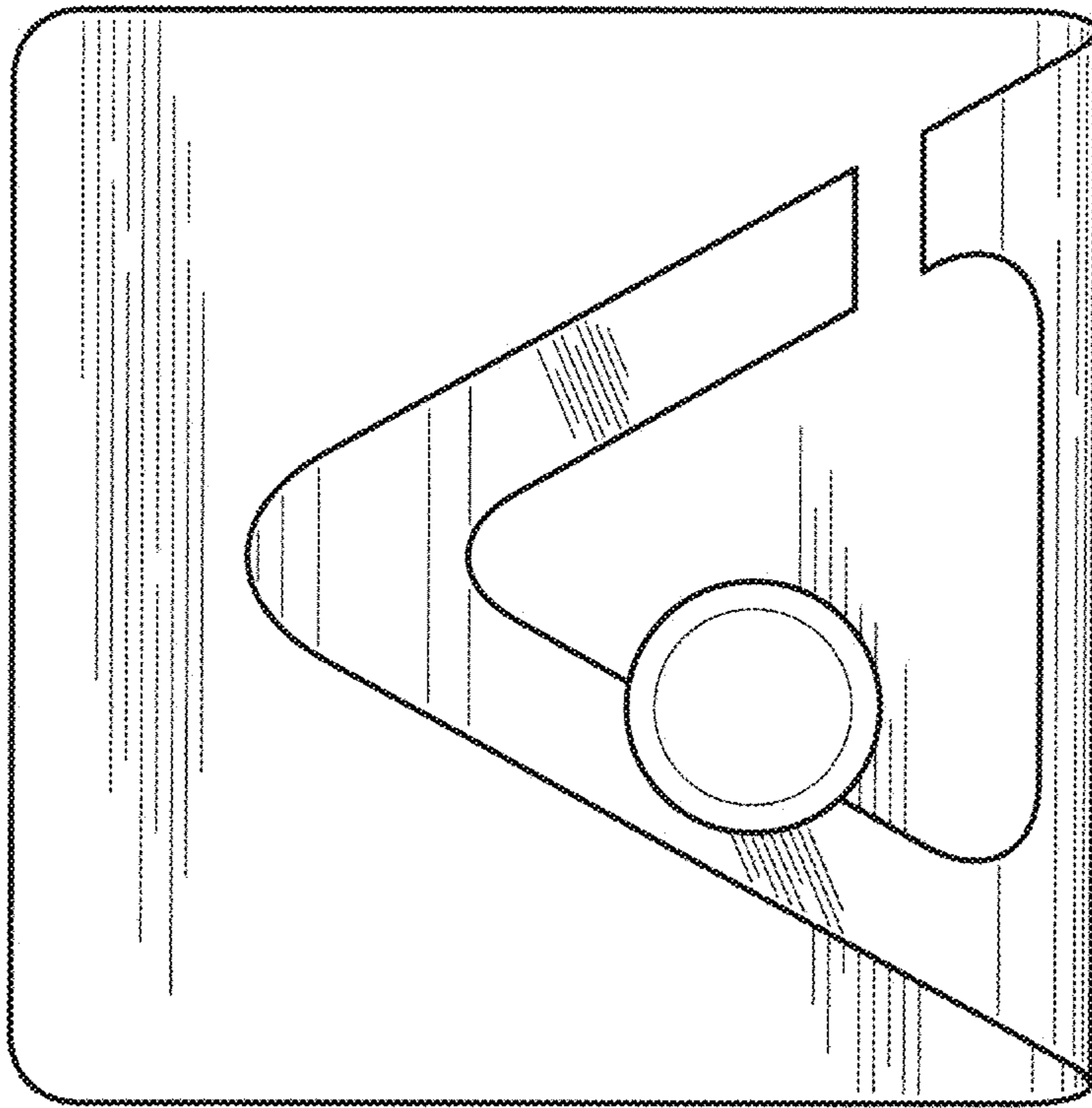


Figure 2

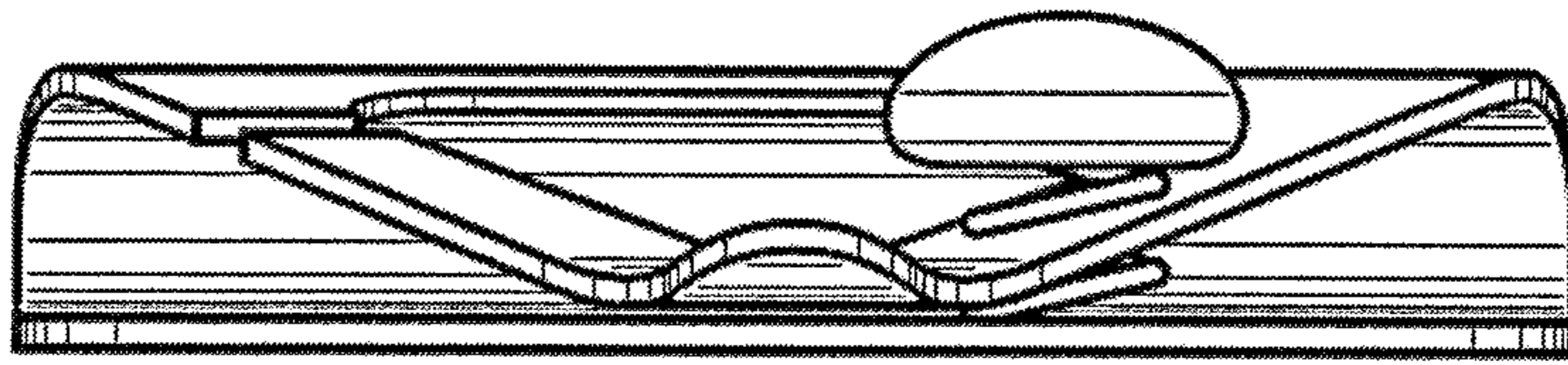


Figure 3



Figure 4