



US00D717638S

(12) **United States Design Patent**  
**Adair**

(10) **Patent No.:** **US D717,638 S**

(45) **Date of Patent:** **\*\* Nov. 18, 2014**

(54) **SOLAR POWERED ILLUMINATED BOAT CLEAT**

(71) Applicant: **Herman N. Philhower, as Trustee of the H N Philhower Family Trust (last dated Oct. 31, 2012)**, Cypress, CA (US)

(72) Inventor: **Robin Charles Adair**, Huntington Beach, CA (US)

(73) Assignee: **Herman N. Philhower**, Cypress, CA (US), as Trustee of the H N Philhower Family Trust last Dated Oct. 31, 2012

(\*\*) Term: **14 Years**

(21) Appl. No.: **29/478,401**

(22) Filed: **Jan. 4, 2014**

(51) **LOC (10) Cl.** ..... **08-08**

(52) **U.S. Cl.**  
USPC ..... **D8/382**

(58) **Field of Classification Search**  
CPC ..... B63B 21/045  
USPC ..... D8/382, 356, 349, 383; 114/218  
See application file for complete search history.

(56) **References Cited**

U.S. PATENT DOCUMENTS

D29,330	S	*	9/1898	Baskill	.....	D8/382
D192,182	S	*	2/1962	de Sokhnoffsky	.....	D8/382
D192,184	S	*	2/1962	de Sokhnoffsky	.....	D8/382
D192,186	S	*	2/1962	de Sokhnoffsky	.....	D8/367
3,905,322	A	*	9/1975	Peterman et al.	.....	114/218
D247,364	S	*	2/1978	Schulz	.....	D8/356

D255,419	S	*	6/1980	Hume	.....	D8/382
D300,721	S	*	4/1989	Whitley, II	.....	D8/356
D301,683	S	*	6/1989	Whitley, II	.....	D8/356
4,964,355	A	*	10/1990	Milewski	.....	114/218
5,829,377	A	*	11/1998	Hoppenhaus	.....	114/218
D432,395	S	*	10/2000	Whitley	.....	D8/356
6,968,796	B1	*	11/2005	Burke	.....	114/218
D533,442	S	*	12/2006	Baylor	.....	D8/356
8,025,431	B1	*	9/2011	Burke	.....	362/391
8,402,907	B2	*	3/2013	Cleveland et al.	.....	114/218
D708,936	S	*	7/2014	Bridgewater et al.	.....	D8/382

\* cited by examiner

*Primary Examiner* — Sheryl Lane

(74) *Attorney, Agent, or Firm* — Curtis L. Harrington; Harrington & Harrington

(57) **CLAIM**

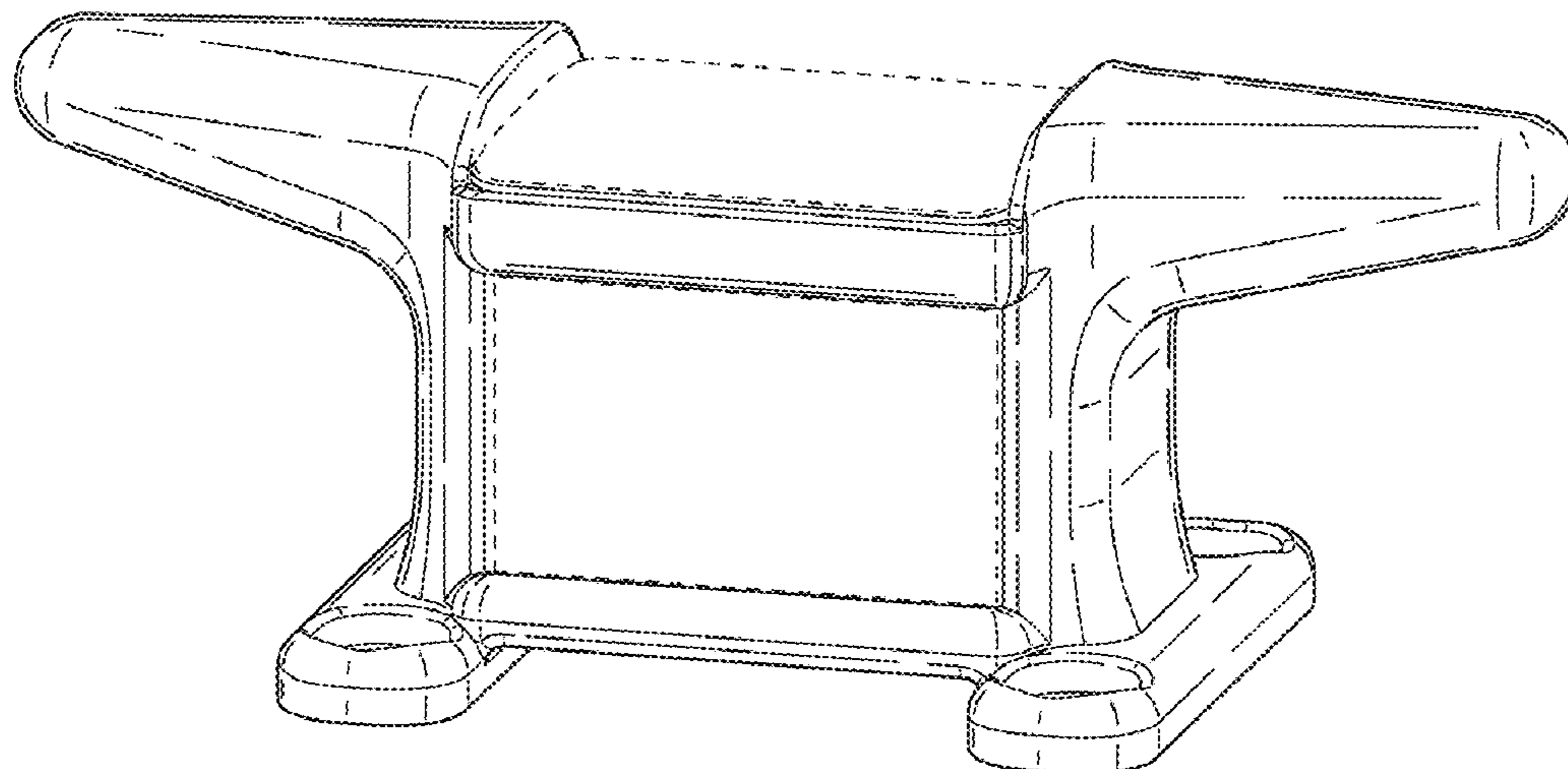
The ornamental design for a solar powered illuminated boat cleat, as shown and described.

**DESCRIPTION**

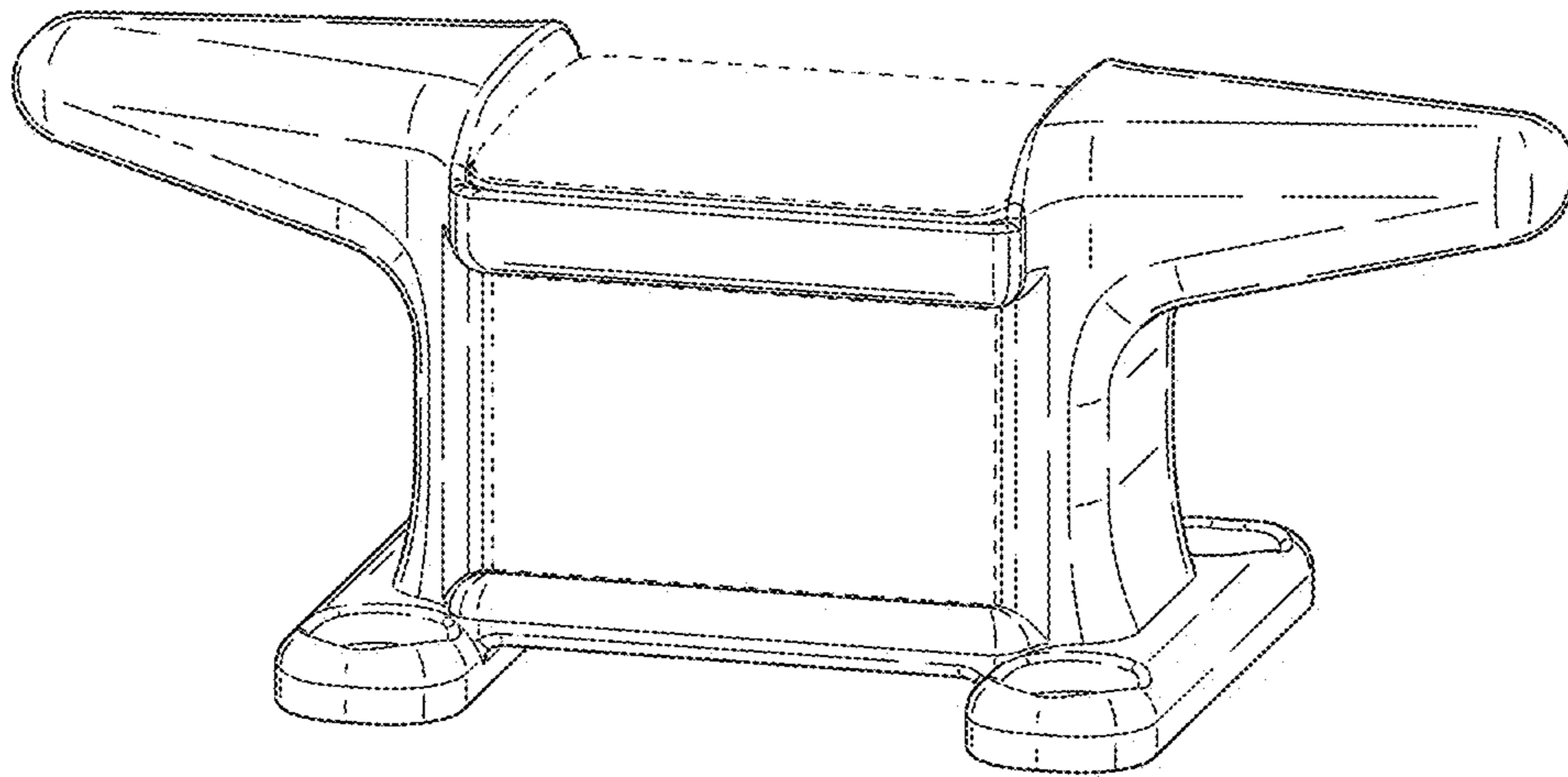
FIG. 1 is a perspective view of a solar powered illuminated boat cleat showing my design; FIG. 2 is a front side view thereof, the rear side view being identical to the front side view; FIG. 3 is a right side view thereof; FIG. 4 is a left side view thereof; FIG. 5 is a top view thereof; and, FIG. 6 is a bottom view thereof.

In the drawings, the broken lines depicting potential illumination structures in FIGS. 1, 2, 3 & 4, 5, & 6, and broken lines depicting potential securing structure areas in FIG. 6 depicts environmental subject matter that forms no part of the claimed design.

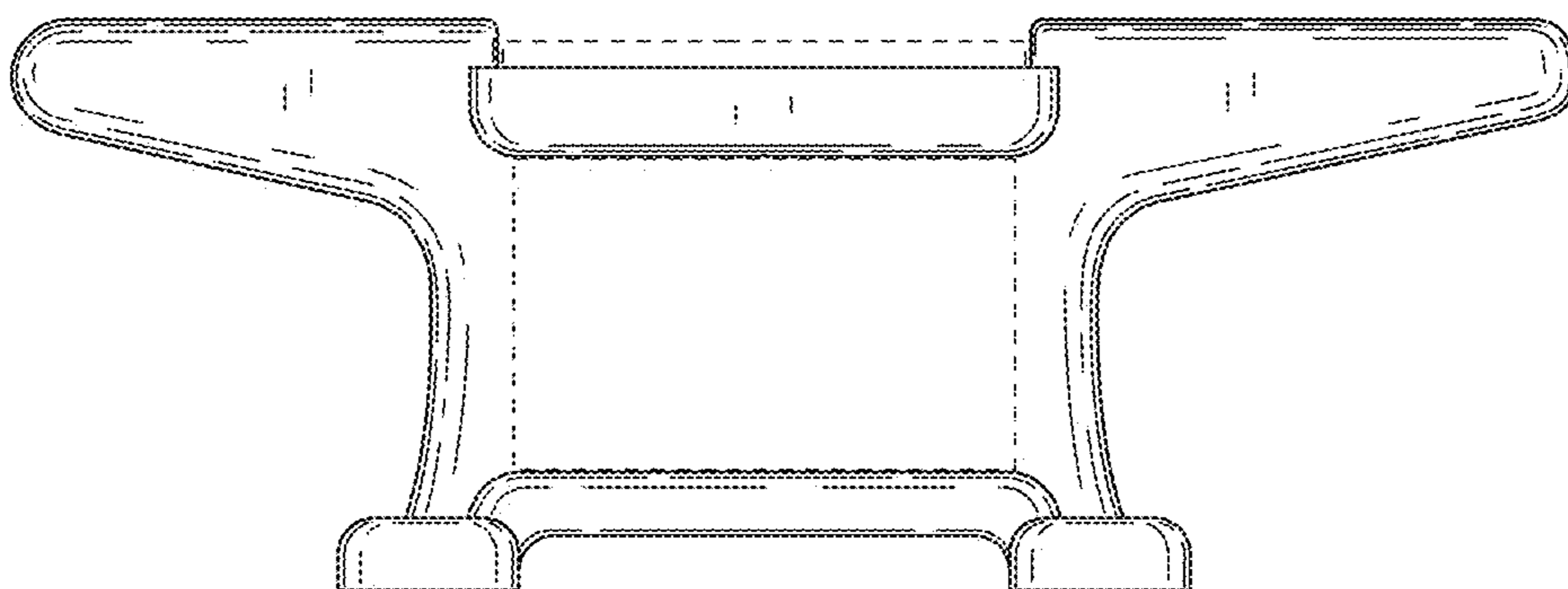
**1 Claim, 2 Drawing Sheets**



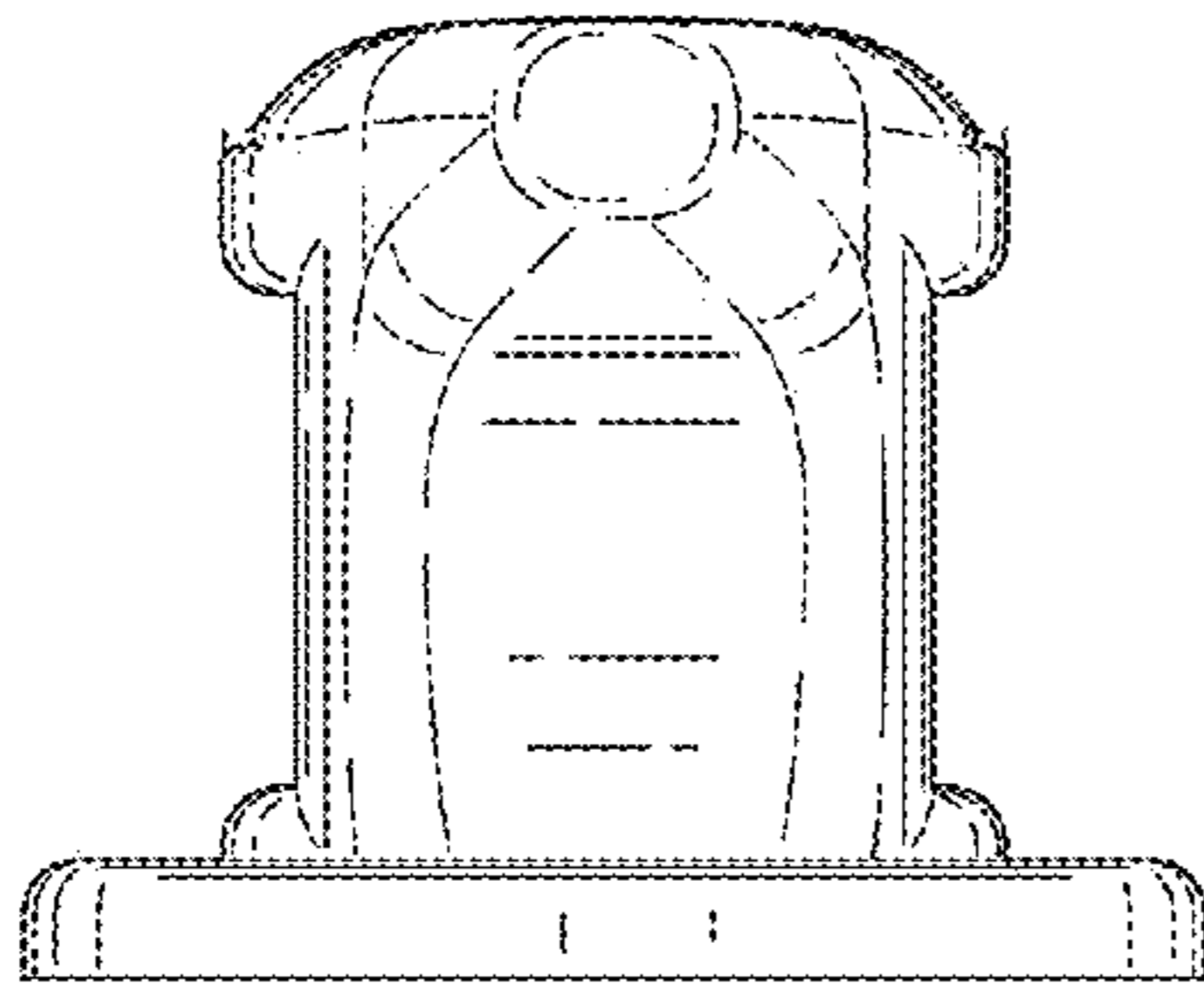
*Fig. 1*



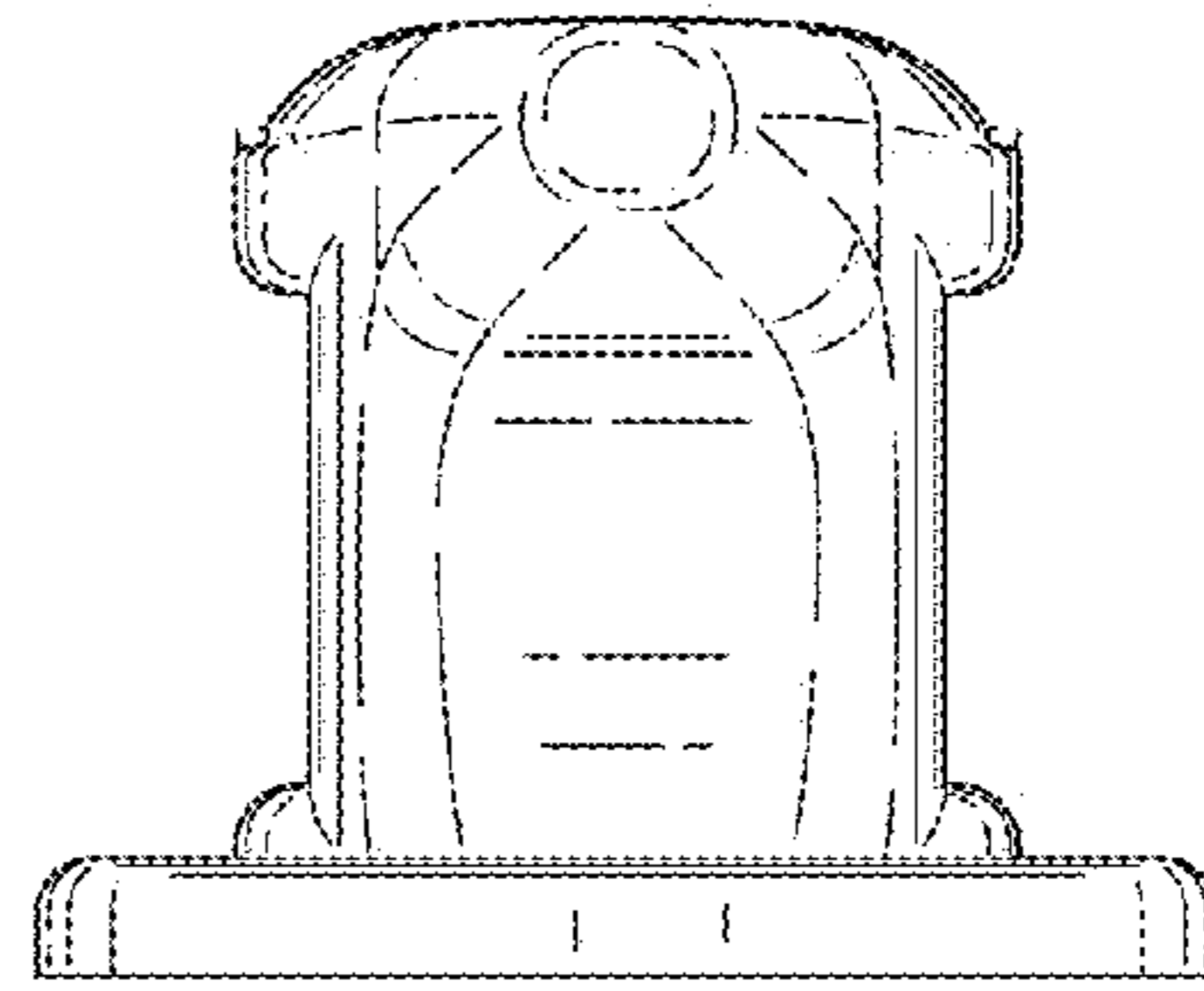
*Fig. 2*



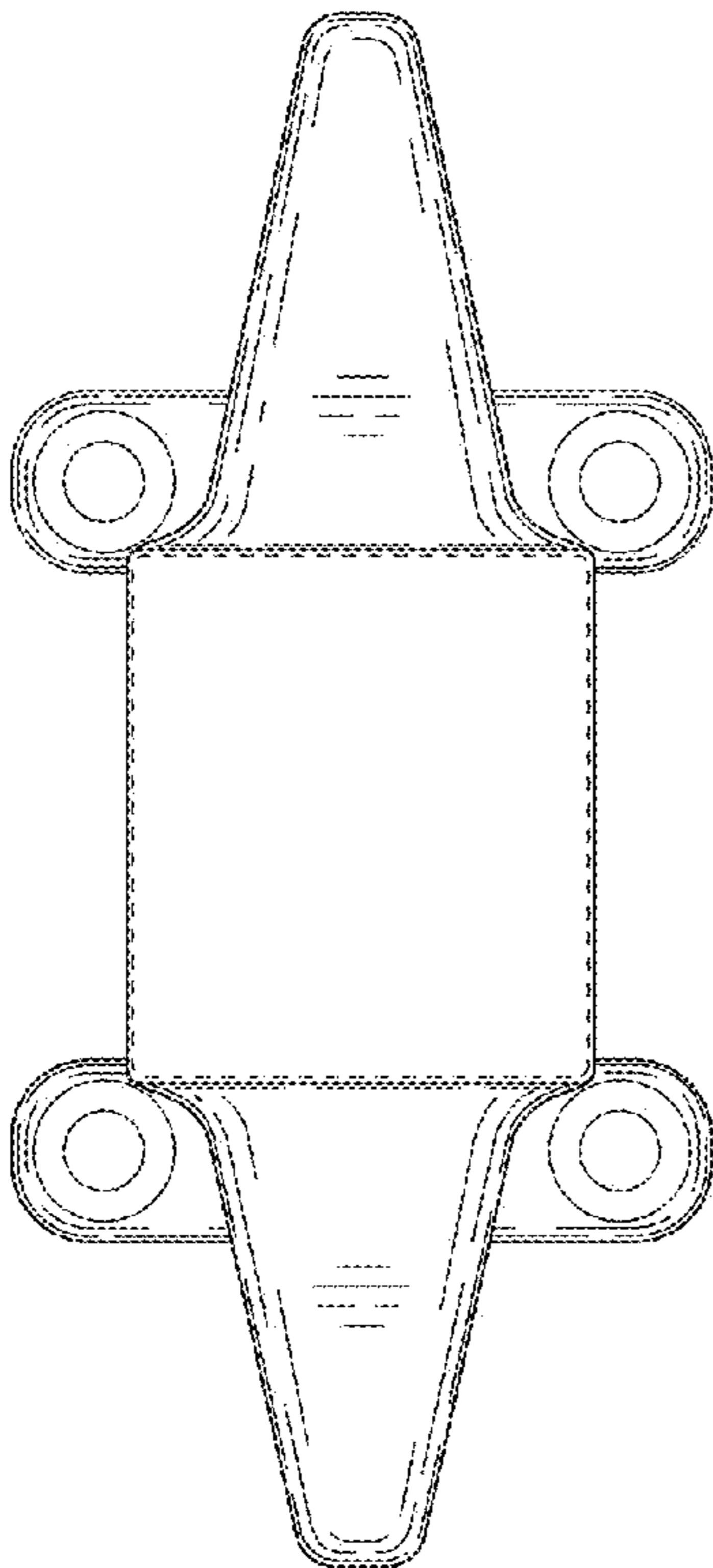
*Fig. 3*



*Fig. 4*



*Fig. 5*



*Fig. 6*

