



US00D717637S

(12) **United States Design Patent**  
**Rast**

(10) **Patent No.:** **US D717,637 S**  
(45) **Date of Patent:** **\*\* Nov. 18, 2014**

(54) **MOUNTING COUPLER**

(71) Applicant: **Schmidt-Kupplung GmbH,**  
Wolfenbuettel (DE)

(72) Inventor: **Uwe Rast,** Wolfenbuettel (DE)

(73) Assignee: **Schmidt-Kupplung GmbH,**  
Wolfenbuettel (DE)

(\*\*) Term: **14 Years**

(21) Appl. No.: **29/462,997**

(22) Filed: **Aug. 12, 2013**

**Related U.S. Application Data**

(62) Division of application No. 29/373,813, filed on May 23, 2011, now Pat. No. Des. 687,701.

(30) **Foreign Application Priority Data**

Nov. 22, 2010 (EP) ..... 001784158-001  
Nov. 22, 2010 (EP) ..... 001784158-002

(51) **LOC (10) Cl.** ..... **08-08**

(52) **U.S. Cl.**  
USPC ..... **D8/382**

(58) **Field of Classification Search**  
USPC ..... D8/349, 382, 354; 403/292, 348, 407,  
403/300, 305, 186, 241, 389; 285/81  
See application file for complete search history.

(56) **References Cited**

U.S. PATENT DOCUMENTS

D383,053	S	*	9/1997	Schrader et al. ....	D8/382
D383,378	S	*	9/1997	Schrader et al. ....	D8/382
D573,453	S	*	7/2008	Buckley .....	D8/382
D583,224	S	*	12/2008	Holdsworth .....	D8/382
D594,317	S	*	6/2009	Anthony .....	D8/382

\* cited by examiner

*Primary Examiner* — Sheryl Lane

(74) *Attorney, Agent, or Firm* — Lawrence G. Fridman

(57) **CLAIM**

The ornamental design for the mounting coupler, as shown.

**DESCRIPTION**

FIG. 1 is a front elevational view of a mounting coupler according to my new design;

FIG. 2 is a front perspective view thereof;

FIG. 3 is a side elevational view thereof;

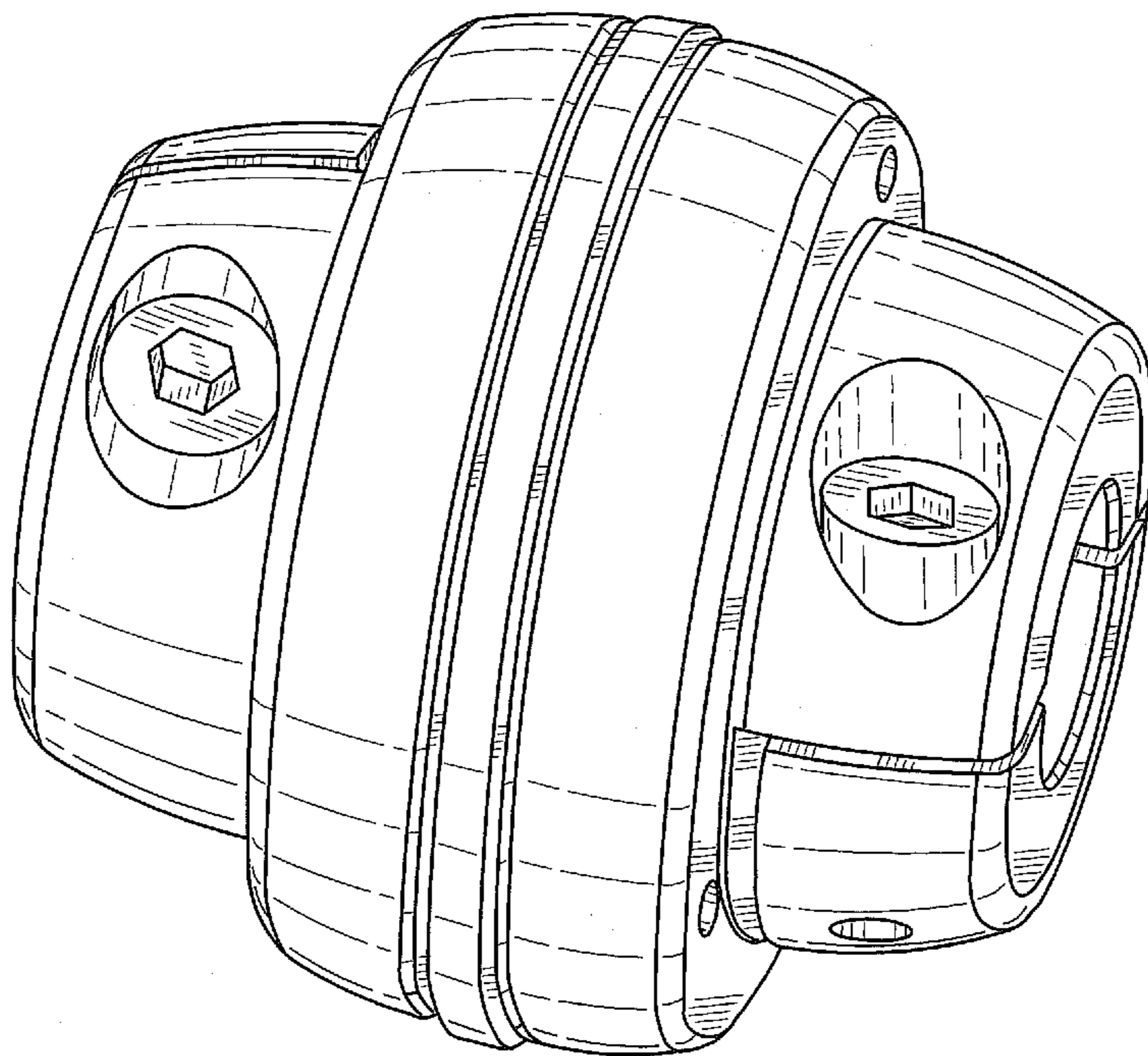
FIG. 4 is a rear elevational view thereof;

FIG. 5 is another front elevational view thereof;

FIG. 6 is another perspective view thereof; and,

FIG. 7 is still another perspective view thereof.

**1 Claim, 7 Drawing Sheets**



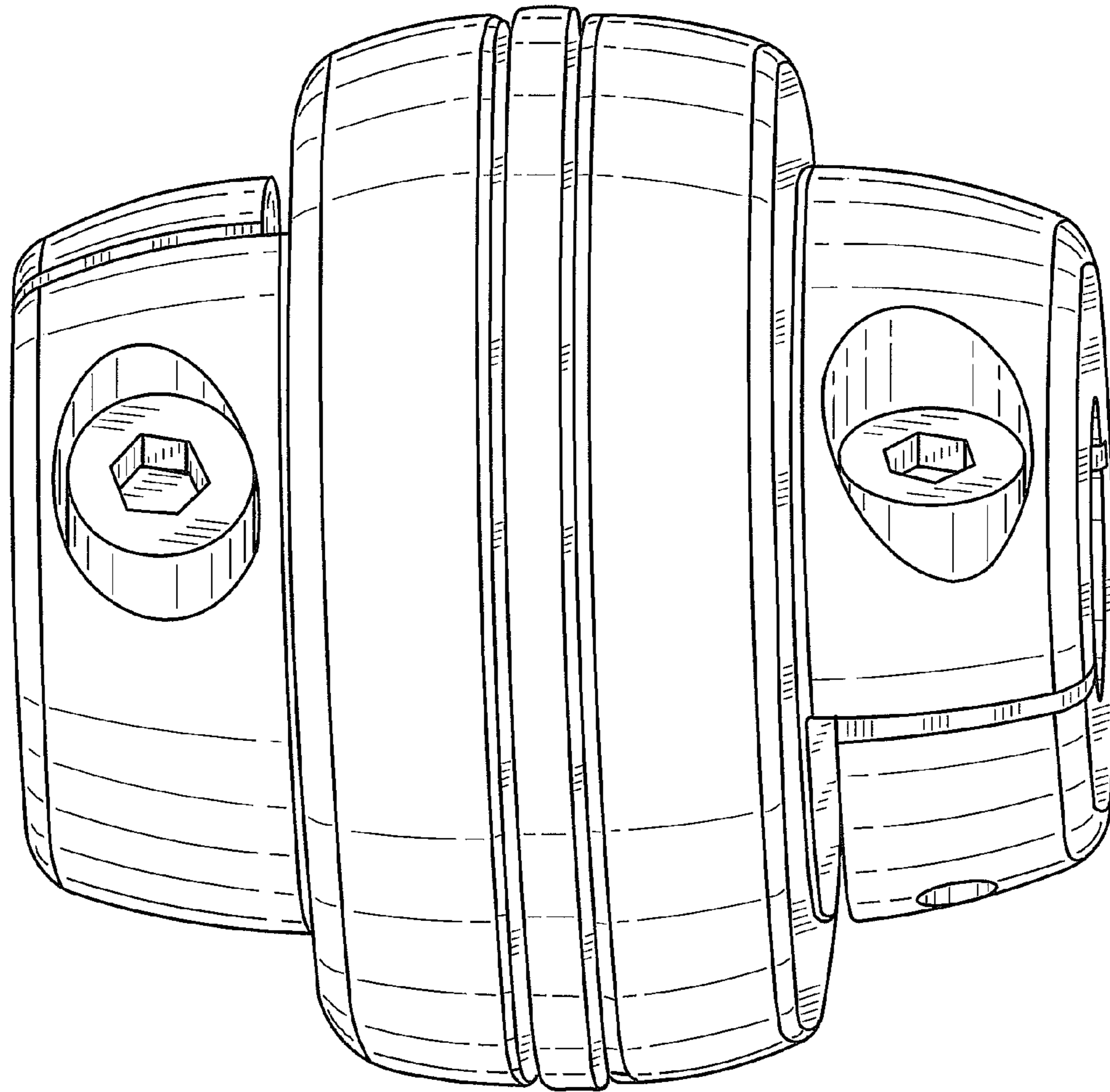


FIG. 1

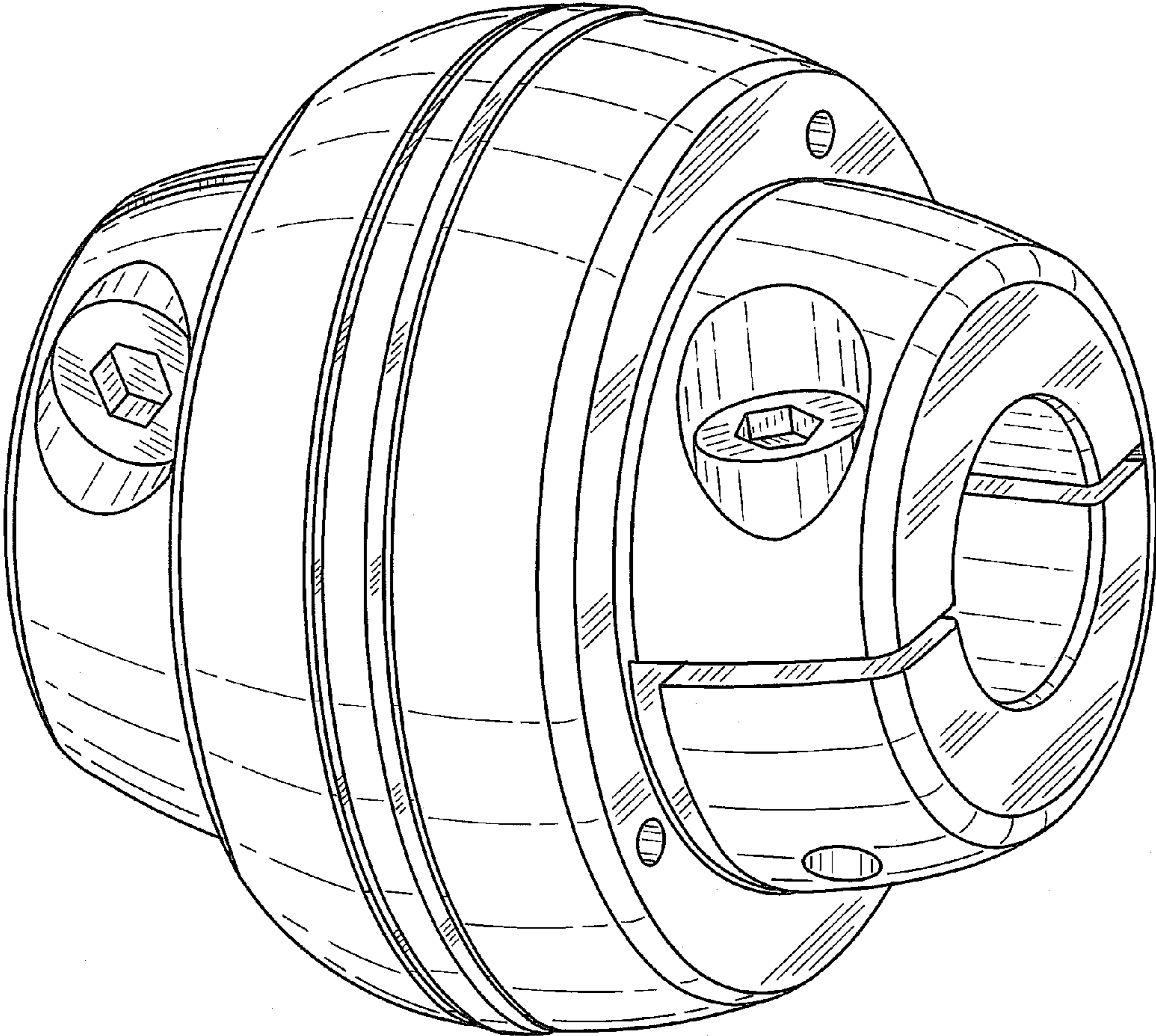


FIG. 2

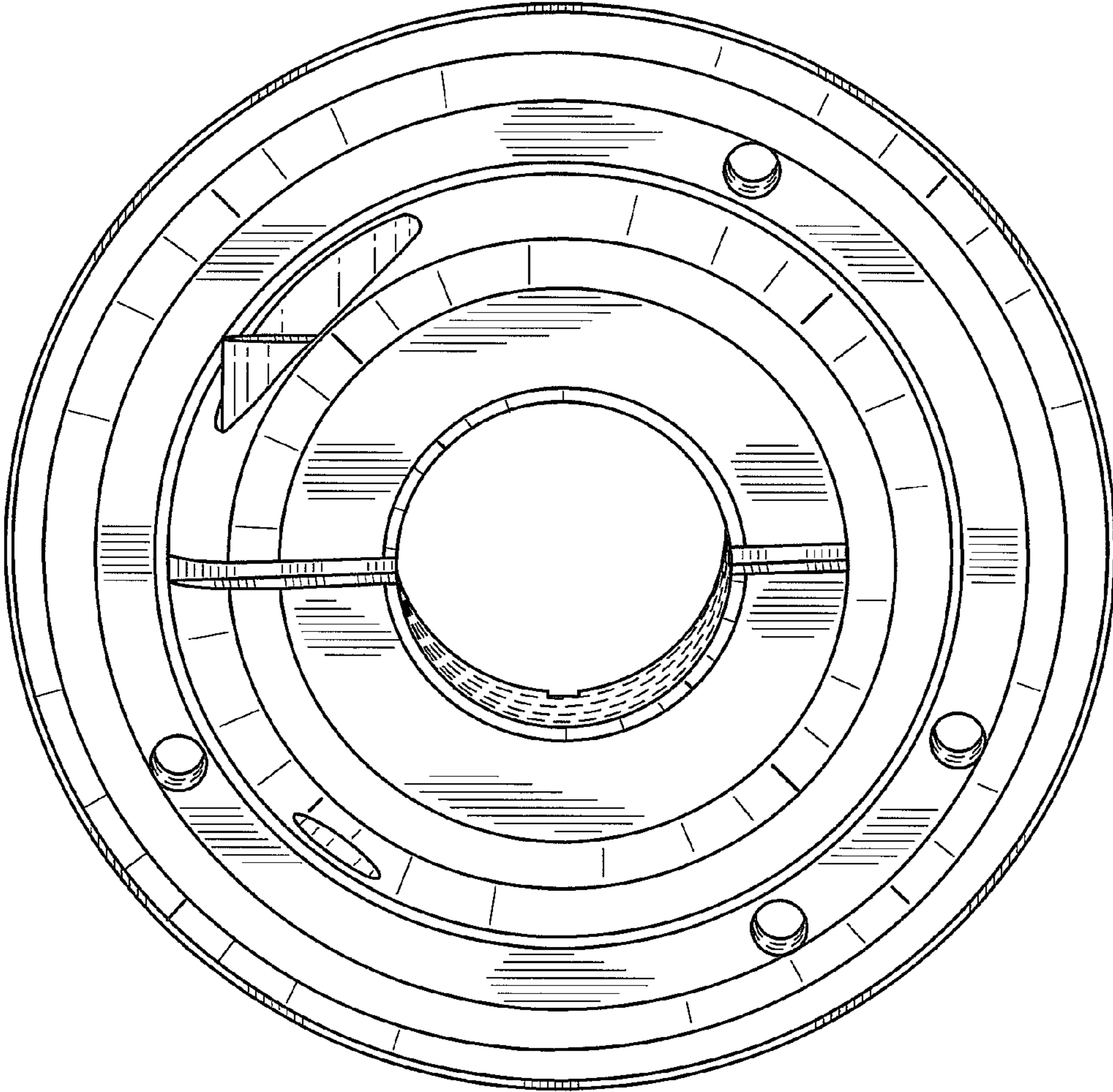


FIG. 3

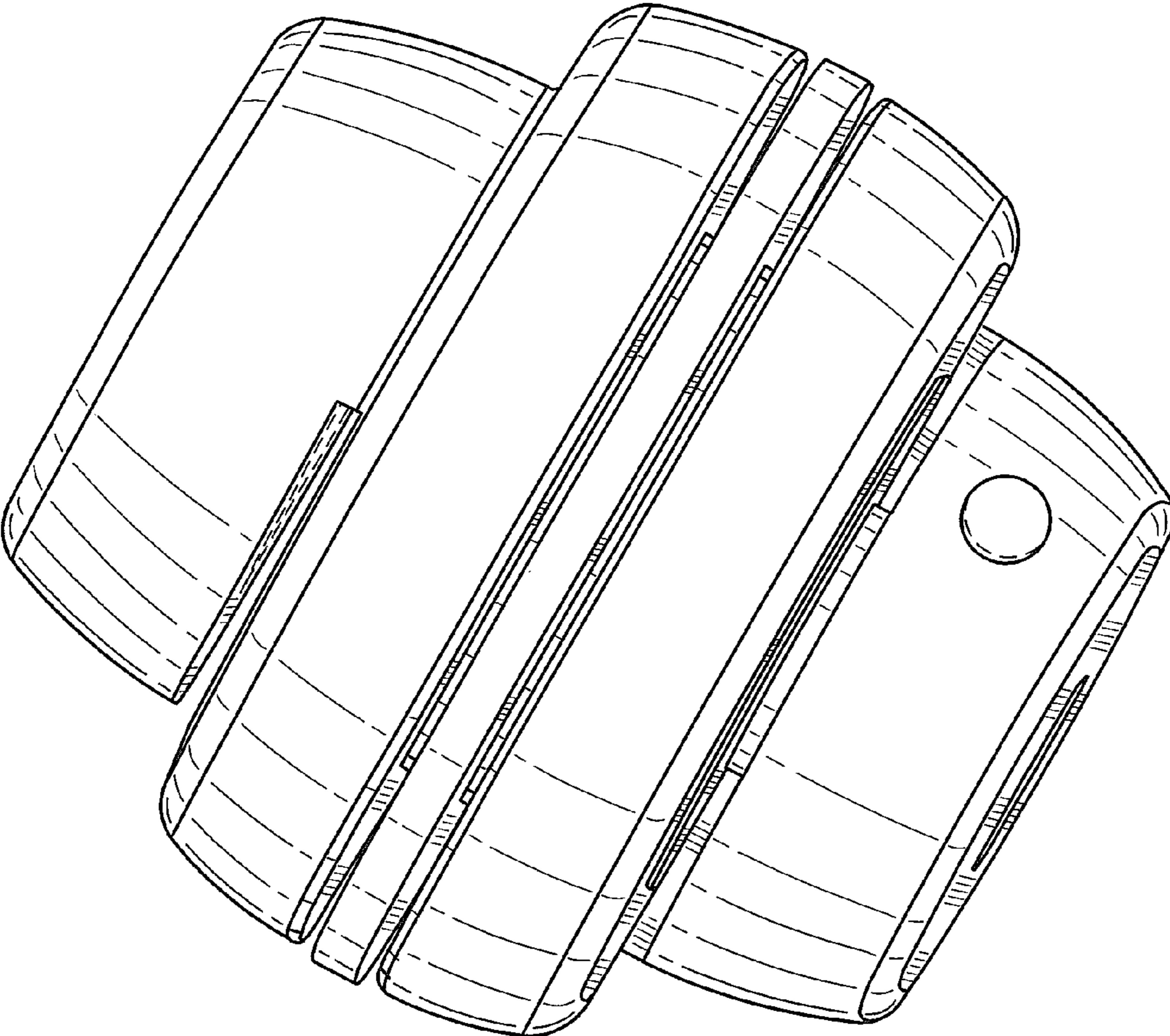


FIG. 4

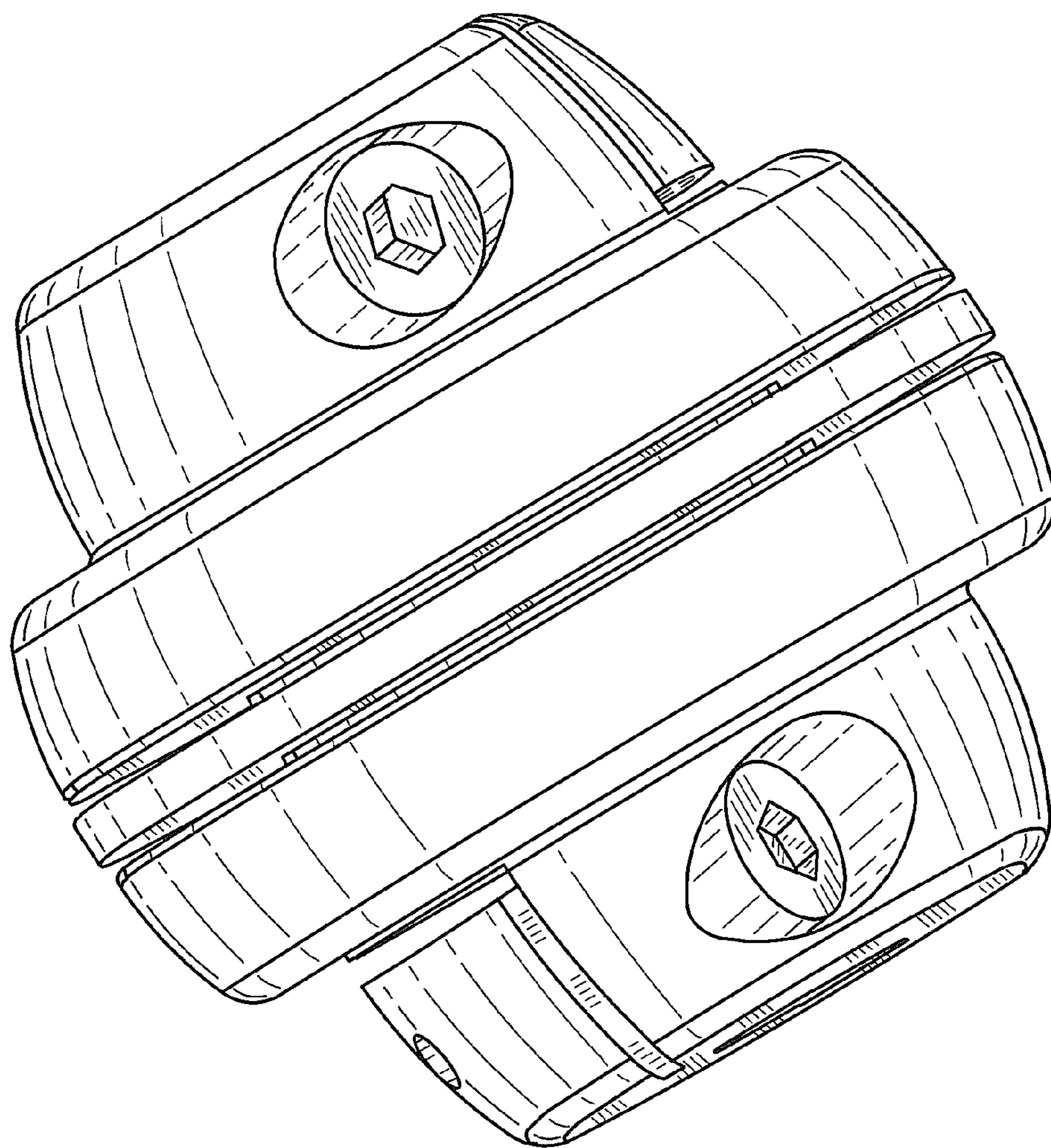


FIG. 5

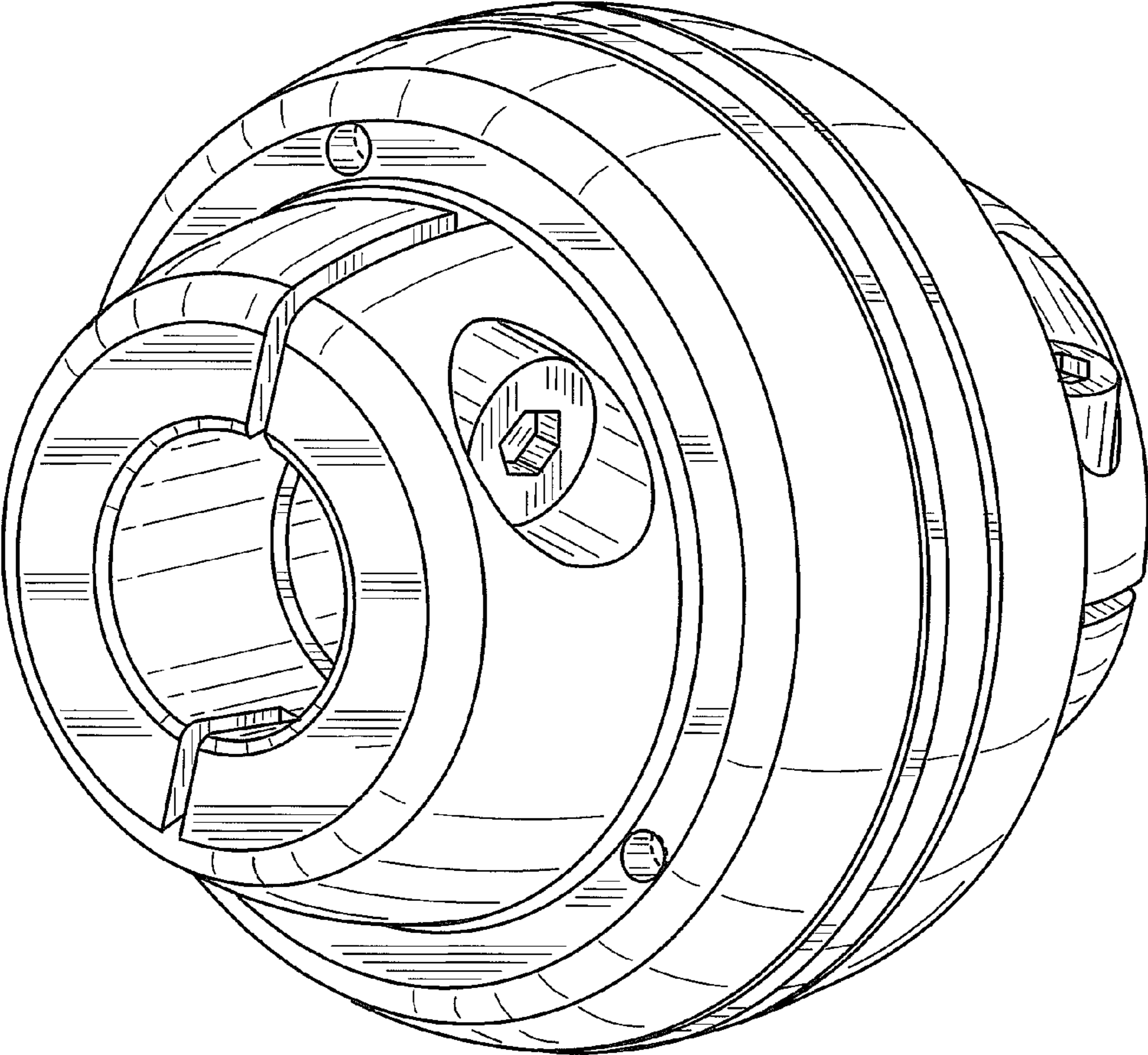


FIG. 6

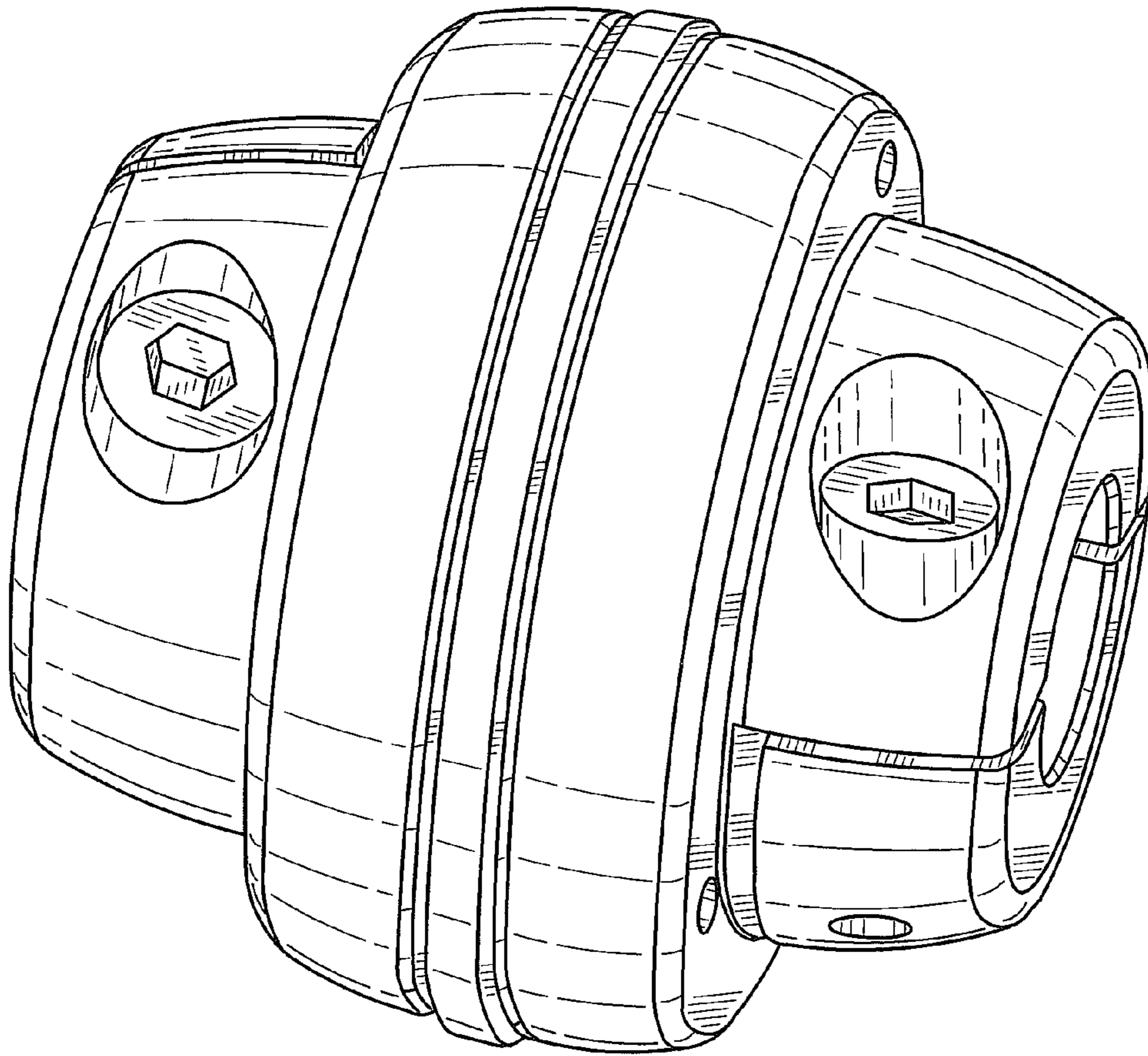


FIG. 7