



US00D717633S

(12) **United States Design Patent**  
**Lu**

(10) **Patent No.:** **US D717,633 S**  
(45) **Date of Patent:** **\*\* Nov. 18, 2014**

(54) **HINGE**

(71) Applicant: **Dongguan Weihong Hardware and Plastic Products Co., Ltd.**, Dongguan (CN)

(72) Inventor: **Wei Lu**, Dongguan (CN)

(73) Assignee: **Dongguan Weihong Hardware and Plastic Products Co., Ltd.**, Dongguan, Guangdong (CN)

(\*\*) Term: **14 Years**

(21) Appl. No.: **29/466,815**

(22) Filed: **Sep. 11, 2013**

(30) **Foreign Application Priority Data**

Jun. 14, 2013 (CN) ..... 2013 3 0251510

(51) **LOC (10) Cl.** ..... **08-06**

(52) **U.S. Cl.**  
USPC ..... **D8/323**

(58) **Field of Classification Search**  
CPC ..... E05Y 2900/00; E05D 3/00; E05D 1/00  
USPC ..... D8/323, 327, 328, 329; D23/303;  
4/236, 240; 16/225, 250, 682, 309,  
16/235, 275, 244, 379, 390, 430, 241, 238,  
16/245, 236, 243, 242, 385, 331, 274

See application file for complete search history.

(56) **References Cited**

U.S. PATENT DOCUMENTS

D140,298	S	*	2/1945	Wilson	.....	D8/323
D222,234	S	*	10/1971	Imber et al.	.....	D8/355
D335,622	S	*	5/1993	Millsap	.....	D8/323
7,100,245	B2	*	9/2006	Wohlfarth	.....	16/367
D611,801	S	*	3/2010	Chustak	.....	D8/355
D633,773	S	*	3/2011	Yamanaka	.....	D8/323
8,225,460	B2	*	7/2012	Hooton et al.	.....	16/367
D683,609	S	*	6/2013	Frank et al.	.....	D8/323

\* cited by examiner

*Primary Examiner* — Cynthia Underwood

(74) *Attorney, Agent, or Firm* — Shimokaji & Associates P.C.

(57) **CLAIM**

The ornamental design for a hinge, as shown and described.

**DESCRIPTION**

FIG. 1 is a perspective view of a hinge showing my new design;

FIG. 2 is a front elevational view thereof;

FIG. 3 is a rear elevational view thereof;

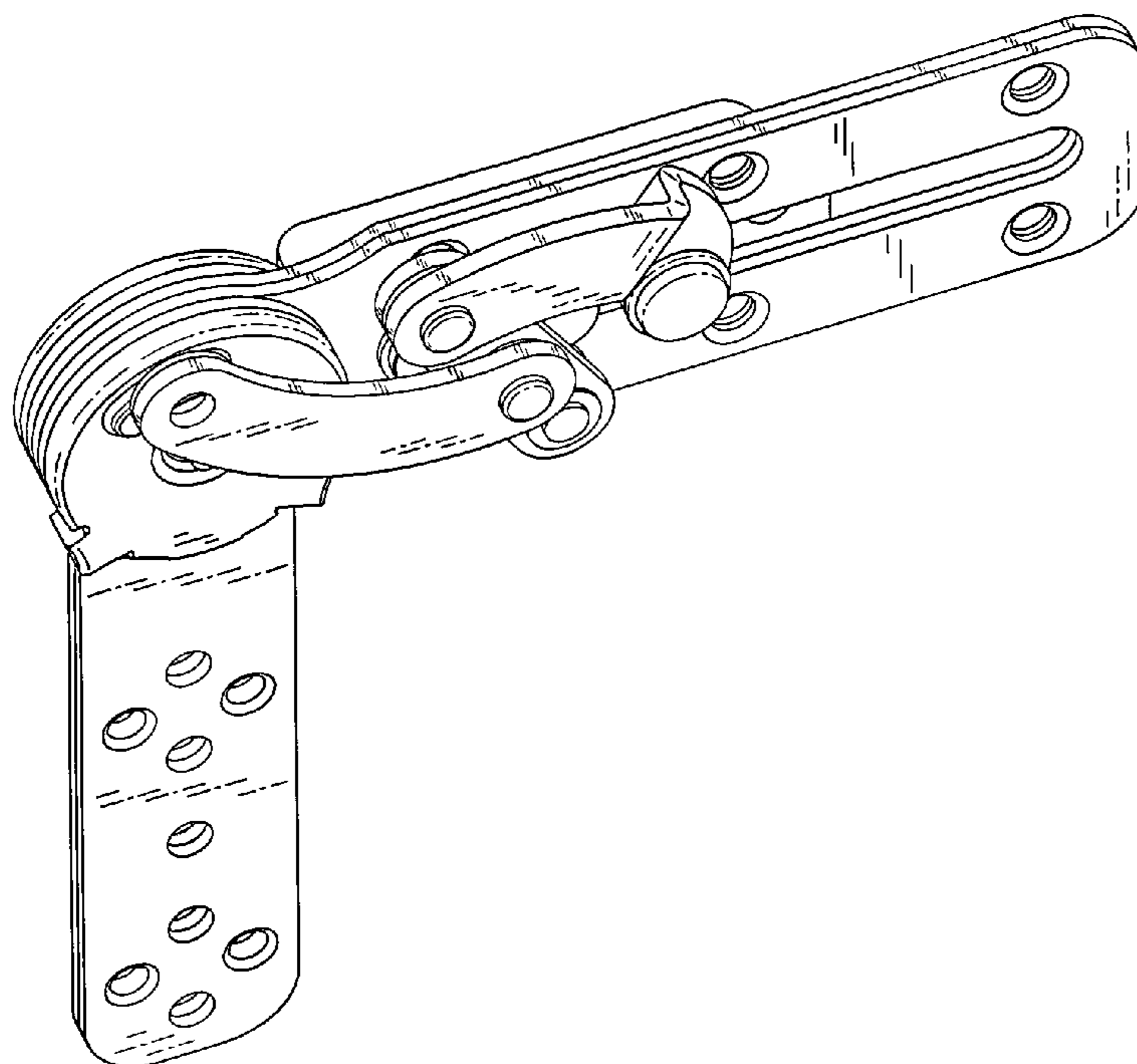
FIG. 4 is a left side elevational view thereof;

FIG. 5 is a right side elevational view thereof;

FIG. 6 is a top plan view thereof; and,

FIG. 7 is a bottom plan view thereof.

**1 Claim, 6 Drawing Sheets**



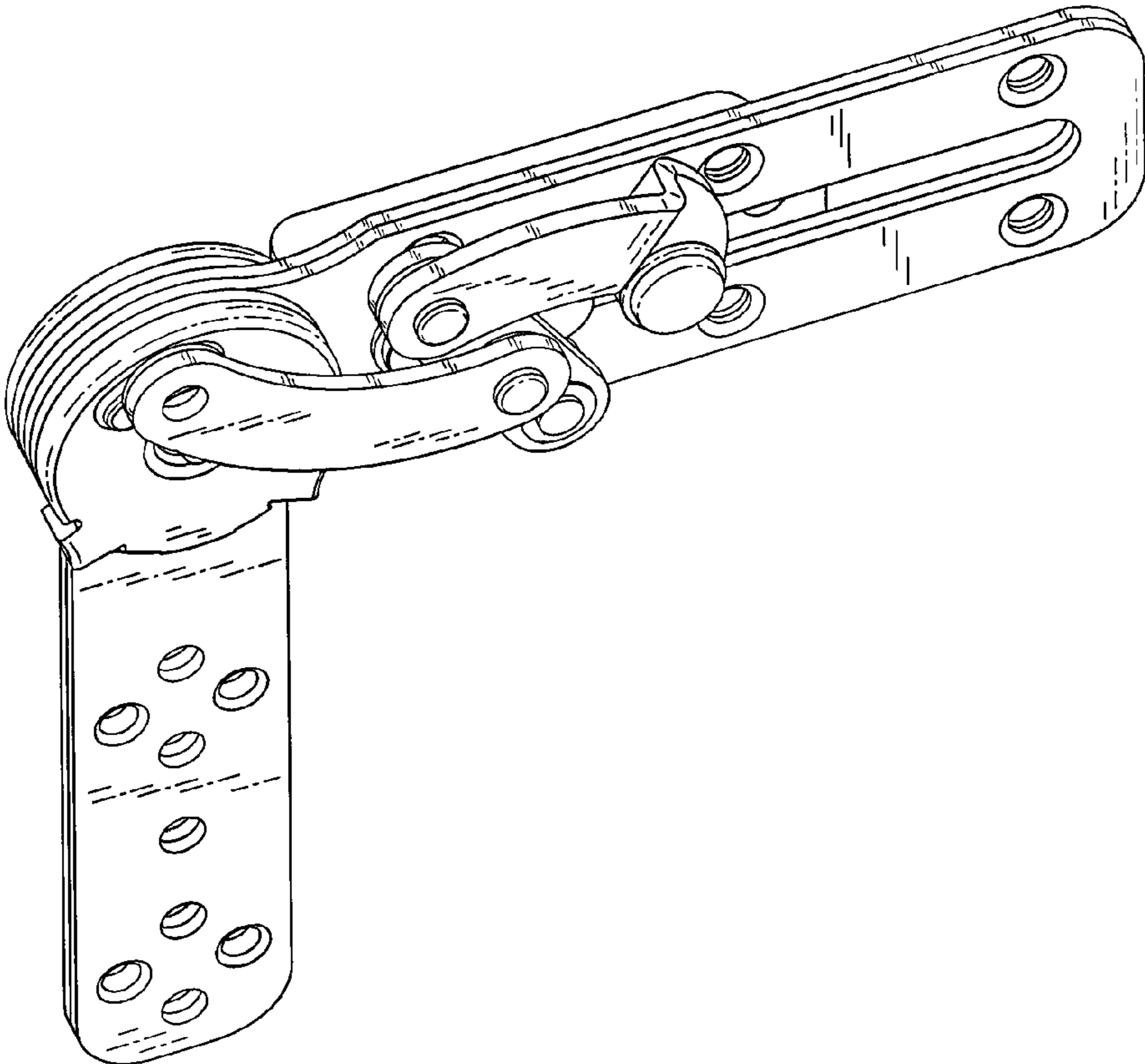


FIG.1

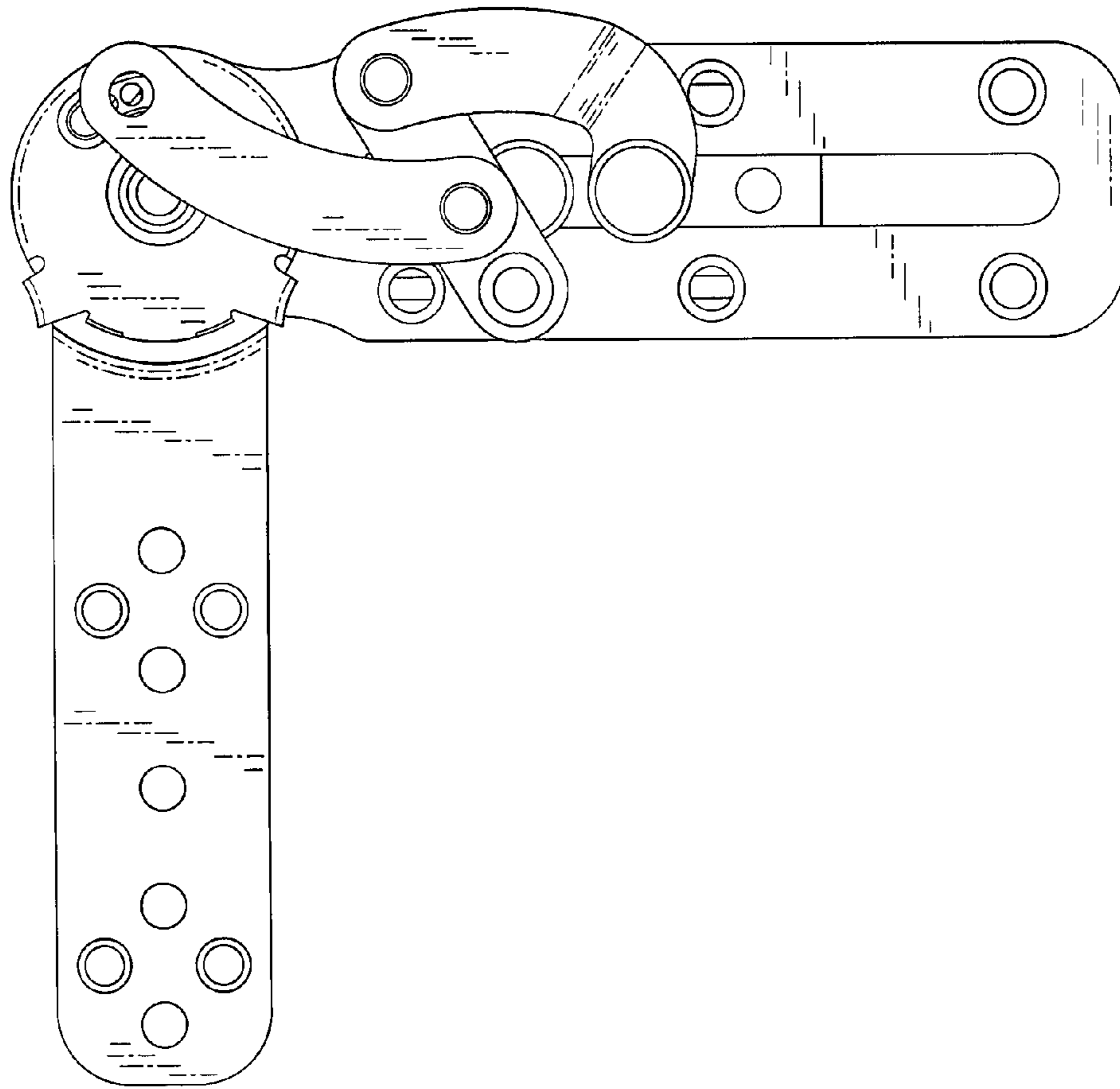


FIG.2

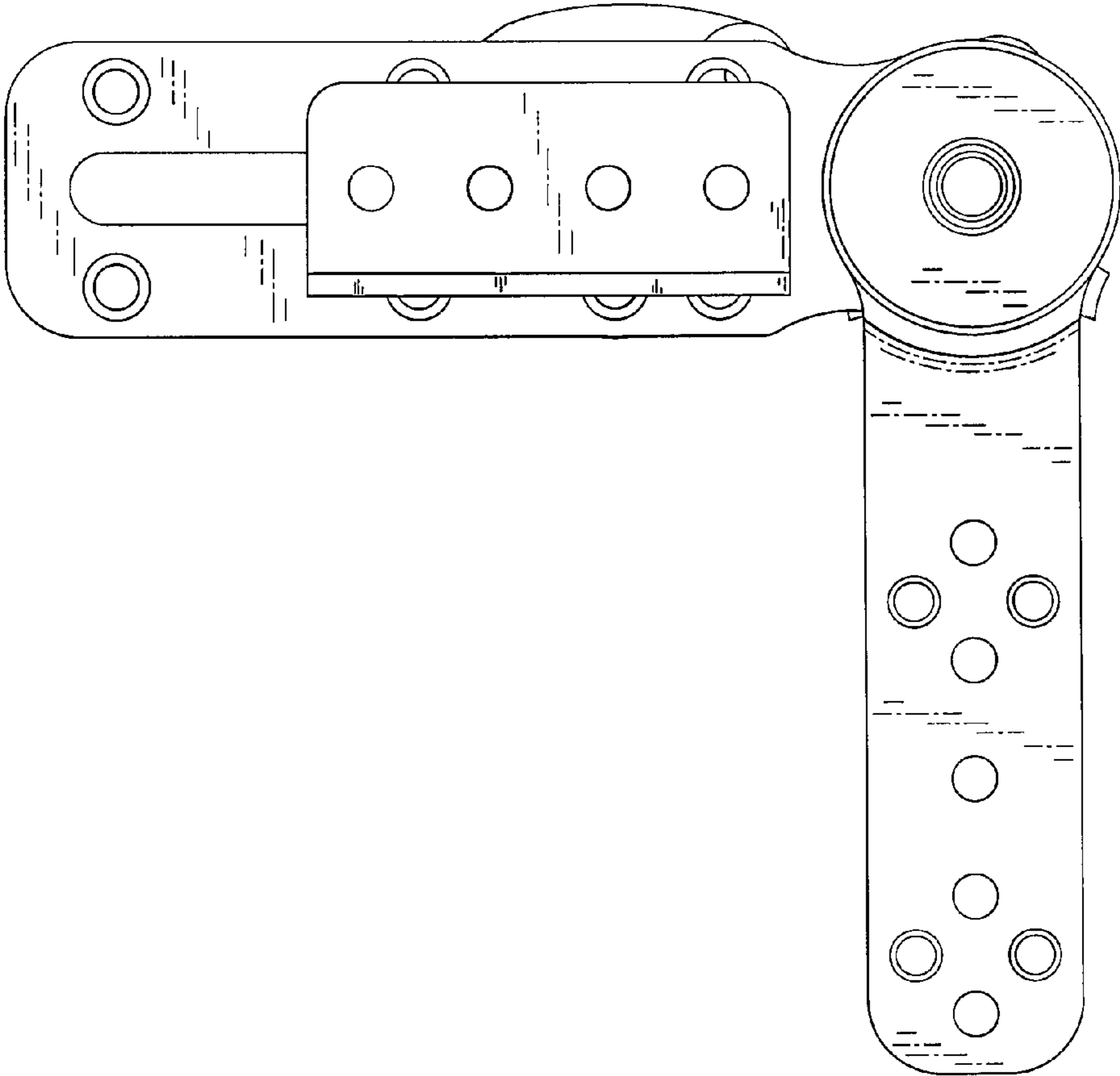


FIG.3

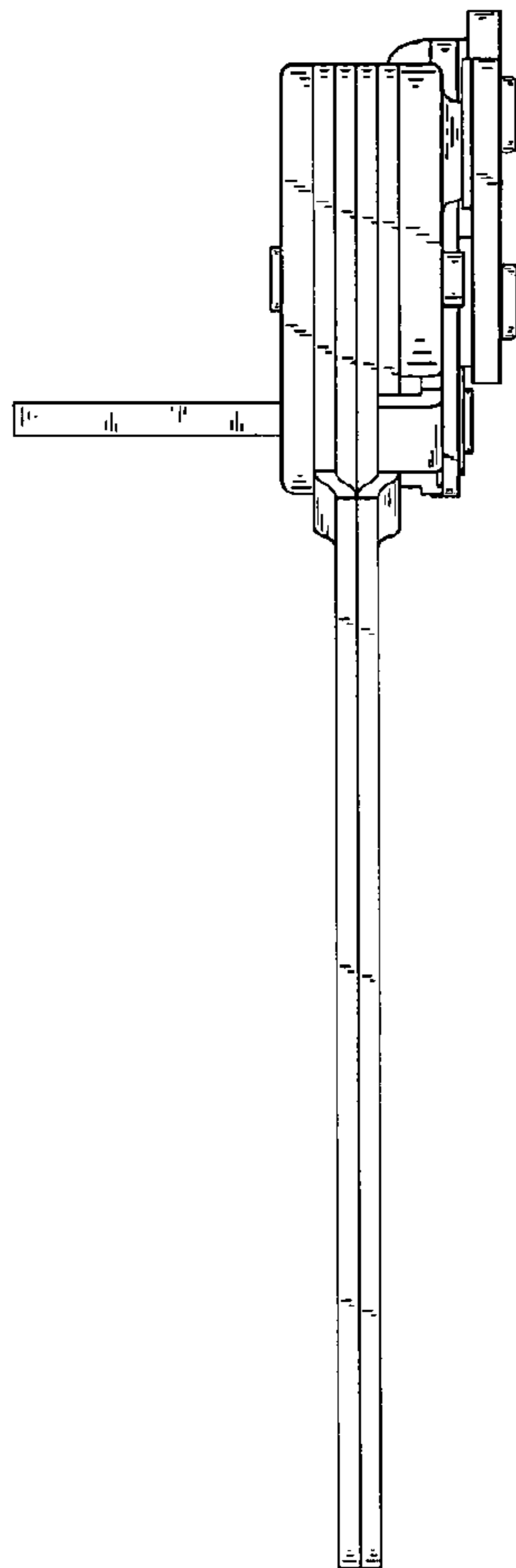


FIG.4

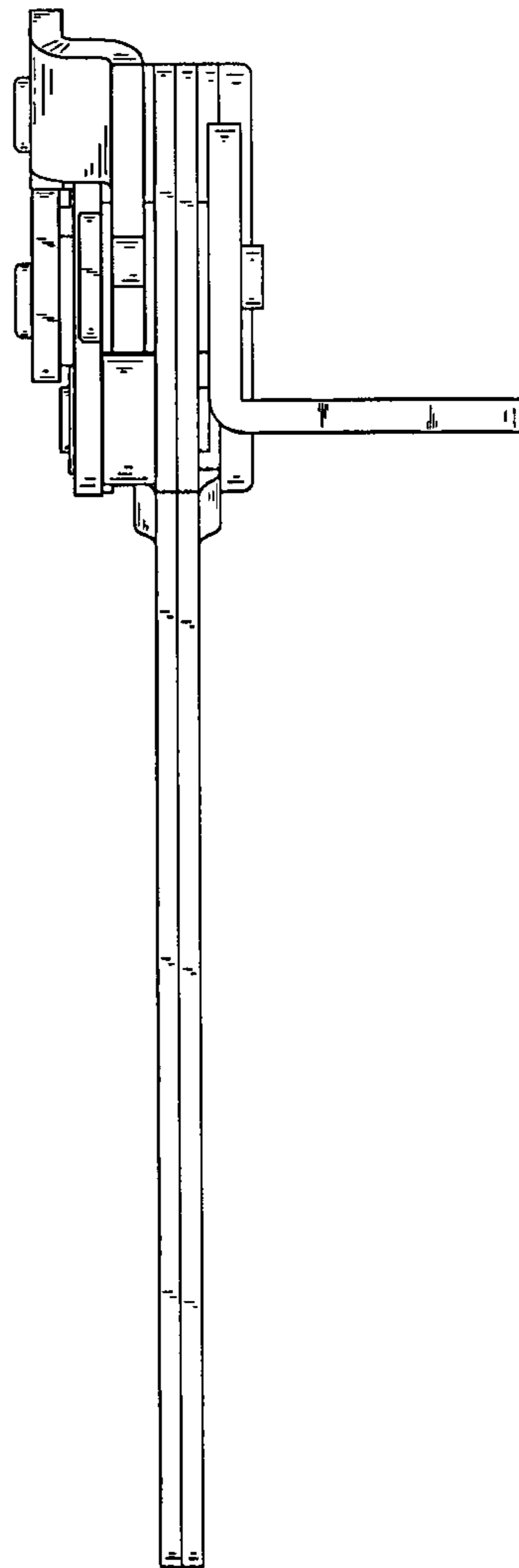


FIG.5

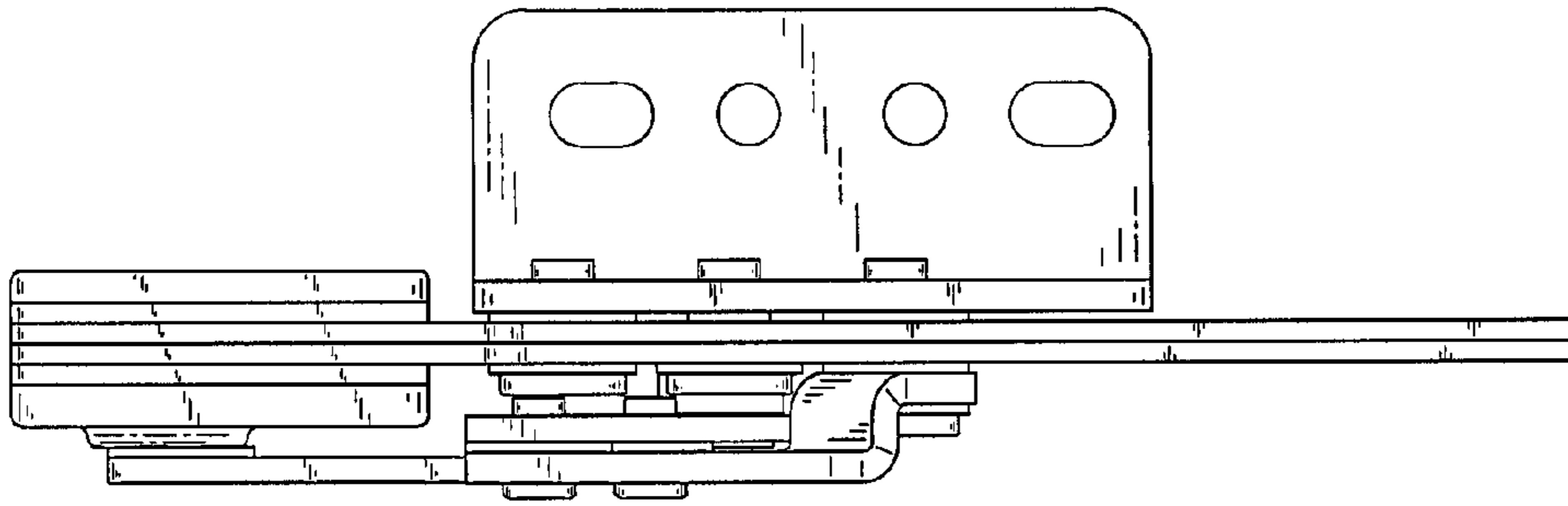


FIG. 6

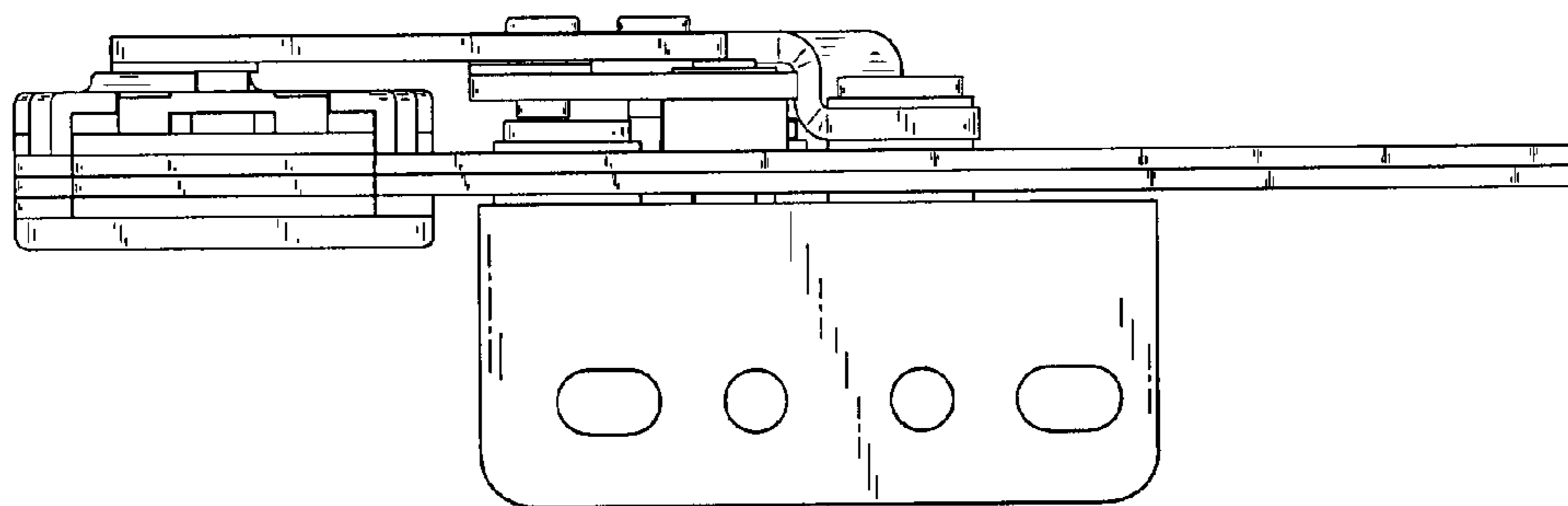


FIG. 7