



US00D717632S

(12) **United States Design Patent**  
**Elbl**

(10) **Patent No.:** **US D717,632 S**

(45) **Date of Patent:** **\*\* Nov. 18, 2014**

(54) **HANDLE HAVING FLARED ARCUATE BRACKETS**

(71) Applicant: **Kipp Verpachtungen e.K.**, Sulz (DE)

(72) Inventor: **Guenter Elbl**, Schorndorf (DE)

(73) Assignee: **Kipp Verpachtungen e.K.**, Sulz (DE)

(\*\*) Term: **14 Years**

(21) Appl. No.: **29/469,164**

(22) Filed: **Oct. 8, 2013**

(30) **Foreign Application Priority Data**

Apr. 16, 2013 (EM) ..... 002221267

(51) **LOC (10) Cl.** ..... **08-06**

(52) **U.S. Cl.**  
USPC ..... **D8/315**; D6/550

(58) **Field of Classification Search**  
USPC ..... D8/315-321, 349, 354, 363, 380;  
D6/546-550, 518, 522-524; 211/13.1,  
211/16, 60.1, 86.01, 87.01, 88.04, 100,  
211/105.1-105.2, 123, 181.1, 182;  
242/570, 590, 595-598; 206/389;  
248/175, 176.1, 251, 302; 16/110.1,  
16/412, 415  
See application file for complete search history.

(56) **References Cited**

**U.S. PATENT DOCUMENTS**

D131,506 S *	3/1942	Dreyfuss	.....	D6/549
D307,883 S *	5/1990	Carr	.....	D12/414
D309,126 S *	7/1990	Carr	.....	D12/414
D320,151 S *	9/1991	Reid et al.	.....	D8/363
D335,231 S *	5/1993	Bengtson	.....	D6/524
D370,617 S *	6/1996	Decursu et al.	.....	D8/316
D399,406 S *	10/1998	Decursu et al.	.....	D8/317
D448,593 S *	10/2001	Harvey	.....	D6/550
D449,215 S *	10/2001	Bertani	.....	D8/316

D451,739 S *	12/2001	Yeh	.....	D6/550
D452,102 S *	12/2001	Yeh	.....	D6/550
D465,116 S *	11/2002	Chen	.....	D6/550
D477,482 S *	7/2003	Green	.....	D6/524
D481,235 S *	10/2003	Gilbert	.....	D6/524
D495,236 S *	8/2004	Gurzenda	.....	D8/343
D501,107 S *	1/2005	Gilbert	.....	D6/524
D517,180 S *	3/2006	Chan	.....	D23/304
D522,844 S *	6/2006	Harwanko	.....	D8/376
D522,845 S *	6/2006	Suero	.....	D8/376
D529,744 S *	10/2006	Murray	.....	D6/550
D530,958 S *	10/2006	Gilbert	.....	D6/550
D533,385 S *	12/2006	Murray	.....	D6/550
D534,255 S *	12/2006	Chan	.....	D23/304
D542,090 S *	5/2007	Kim	.....	D7/402
D547,165 S *	7/2007	Barrese	.....	D8/380
D559,664 S *	1/2008	Austin et al.	.....	D8/381
D563,198 S *	3/2008	Ricereto	.....	D8/316
D572,109 S *	7/2008	Busalt et al.	.....	D8/316
D572,571 S *	7/2008	Terada et al.	.....	D8/354

(Continued)

*Primary Examiner* — Mark Goodwin

(74) *Attorney, Agent, or Firm* — Butzel Long

(57) **CLAIM**

The ornamental design for a handle having flared arcuate brackets, as shown and described.

**DESCRIPTION**

FIG. 1 is a perspective view of the handle having flared arcuate brackets showing my new design;

FIG. 2 is a side view thereof, the opposite side view being identical thereof;

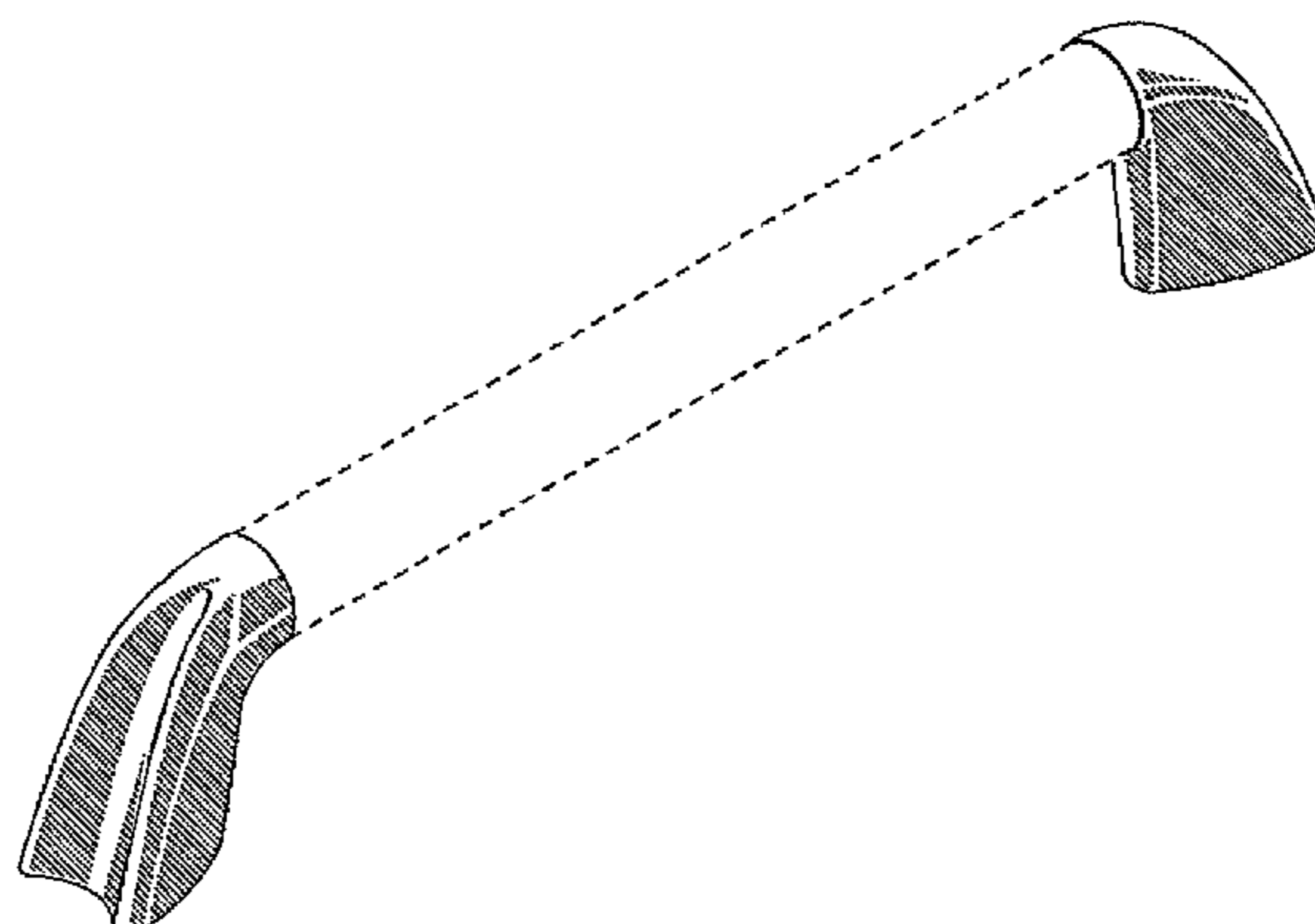
FIG. 3 is a top view thereof;

FIG. 4 is a bottom view thereof; and,

FIG. 5 is an end view thereof, the opposite end view being identical thereof.

The broken line showing of the central bar and holes is included for the purpose of illustrating portions of the handle having flared arcuate brackets and forms no part of the claimed design.

**1 Claim, 1 Drawing Sheet**



(56)

**References Cited**

U.S. PATENT DOCUMENTS

D574,218 S \* 8/2008 Jou ..... D8/317  
D587,982 S \* 3/2009 Mattson et al. .... D8/317  
D588,897 S \* 3/2009 Ricereto ..... D8/317  
D598,270 S \* 8/2009 Hanes ..... D8/317

D609,040 S \* 2/2010 Koury ..... D6/550  
D611,797 S \* 3/2010 Koskela ..... D8/316  
D664,022 S \* 7/2012 Gilbert ..... D8/316  
D680,414 S \* 4/2013 Han ..... D8/317  
D691,031 S \* 10/2013 Harwanko ..... D8/376

\* cited by examiner

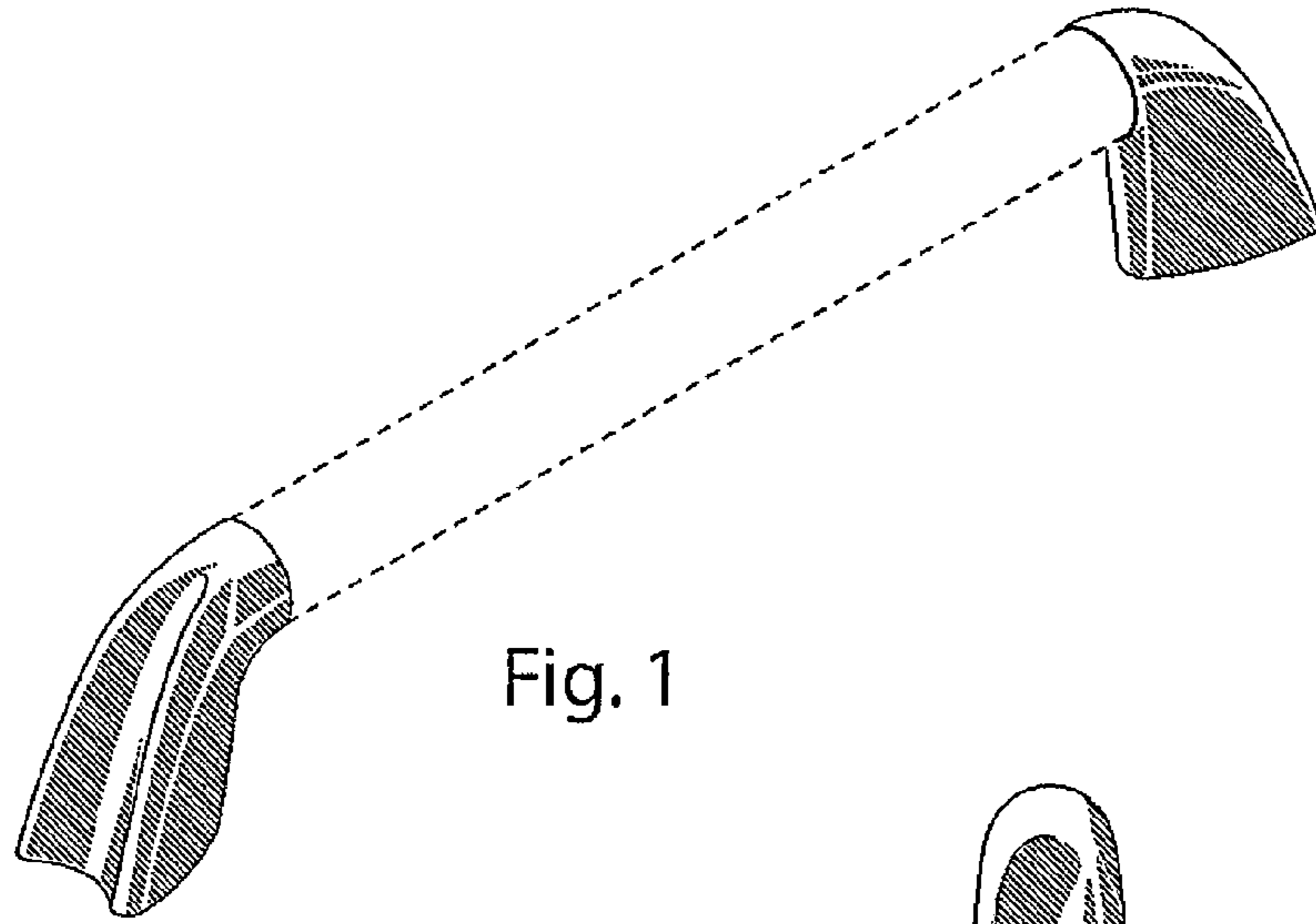


Fig. 1

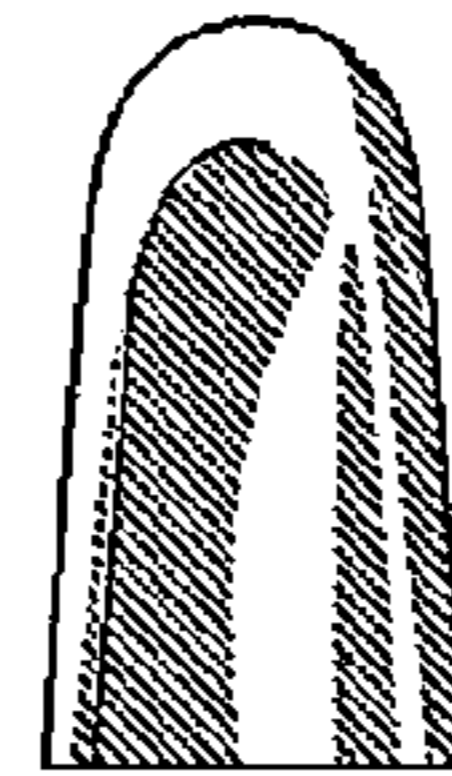


Fig. 5

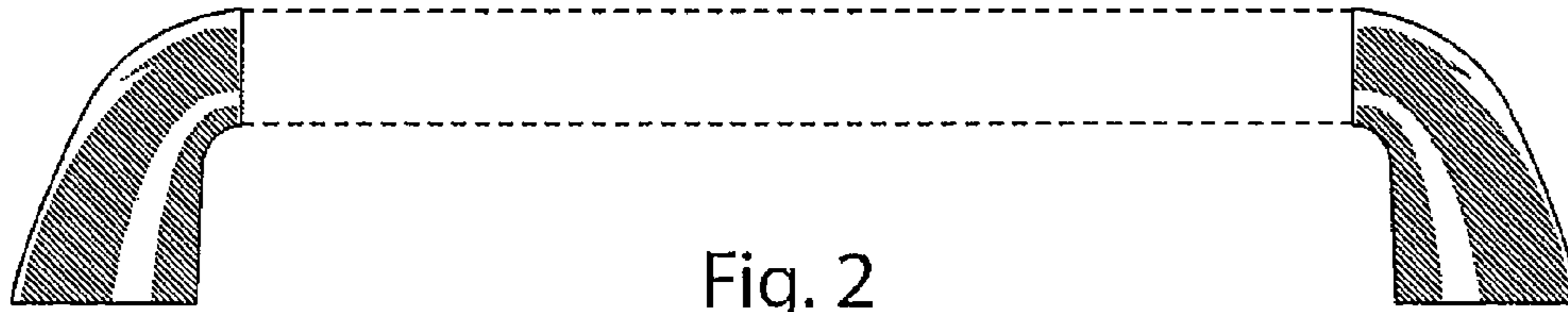


Fig. 2

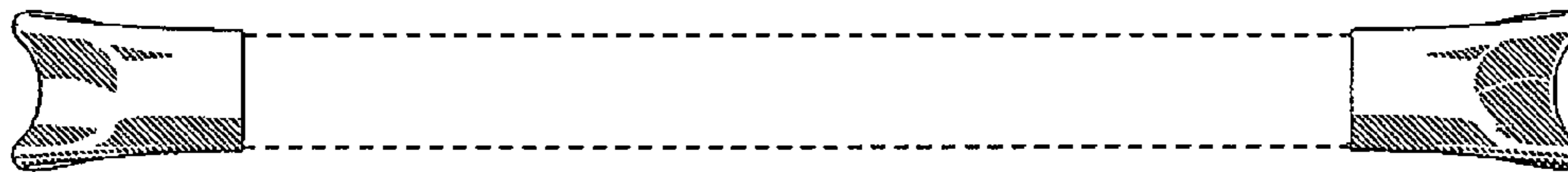


Fig. 3

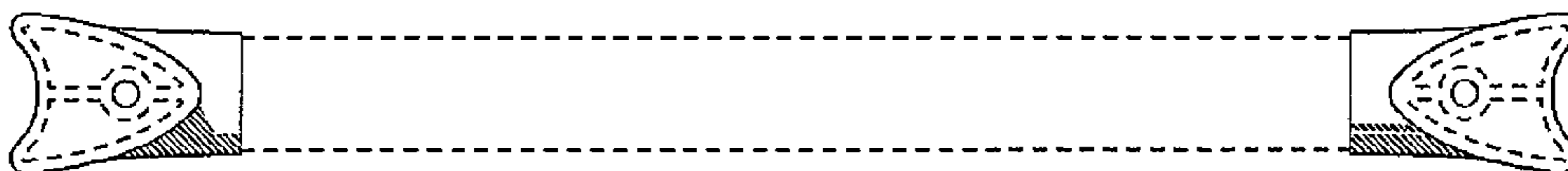


Fig. 4