



US00D717630S

(12) **United States Design Patent**
Bates

(10) **Patent No.:** **US D717,630 S**

(45) **Date of Patent:** **** Nov. 18, 2014**

(54) **TOILET LID OPENER**

(71) Applicant: **Wayne Bates**, Troy, VA (US)

(72) Inventor: **Wayne Bates**, Troy, VA (US)

(**) Term: **14 Years**

(21) Appl. No.: **29/470,452**

(22) Filed: **Oct. 22, 2013**

(51) **LOC (10) Cl.** **08-06**

(52) **U.S. Cl.**
USPC **D8/307**

(58) **Field of Classification Search**
CPC A47K 13/10
USPC D8/307, 308, 300, 107, 47, 48, 89;
4/246.1, 246.3, 251.1, 243.1; D23/311;
16/905, 422; 292/256, 256.71
See application file for complete search history.

(56) **References Cited**

U.S. PATENT DOCUMENTS

832,736	A *	10/1906	Justus	30/280
1,999,555	A	4/1935	Adams		
D136,072	S *	7/1943	Flynn	D8/14
2,758,315	A	8/1956	Hylton		
3,717,884	A	2/1973	Mantooth		
3,935,601	A	2/1976	Hermann		
D255,774	S *	7/1980	Soucy	D8/371
D262,183	S *	12/1981	Brown et al.	D8/16
D273,128	S *	3/1984	Roddick	D8/307
4,962,561	A *	10/1990	Hamilton	15/111
D313,158	S *	12/1990	Cecil et al.	D8/107
D324,161	S *	2/1992	MacRitchie	D8/307
D325,331	S *	4/1992	Onstad	D8/307
D327,614	S *	7/1992	Banks et al.	D8/14
5,220,693	A *	6/1993	Paglia	4/246.1

D341,071	S *	11/1993	Prusak	D8/300
D348,601	S *	7/1994	Borja et al.	D8/307
D361,369	S *	8/1995	Garner	D8/307
D371,434	S	7/1996	Ouzounian		
D373,819	S *	9/1996	Suynov	D23/311
D379,497	S *	5/1997	Renfro et al.	D8/307
5,729,839	A	3/1998	Bigelow		
D406,884	S *	3/1999	Goss	D23/311
5,957,015	A *	9/1999	Jackson	81/484
6,842,916	B1	1/2005	Gunn		
D508,840	S *	8/2005	Butler	D8/307
D567,059	S *	4/2008	Harden et al.	D8/307
D569,218	S *	5/2008	Montague	D8/307
8,256,035	B1	9/2012	Eguchi		
2009/0049590	A1	2/2009	Foster		
2009/0313749	A1	12/2009	Armstrong		
2011/0239358	A1 *	10/2011	Mendoza et al.	4/246.1

* cited by examiner

Primary Examiner — Paula Greene

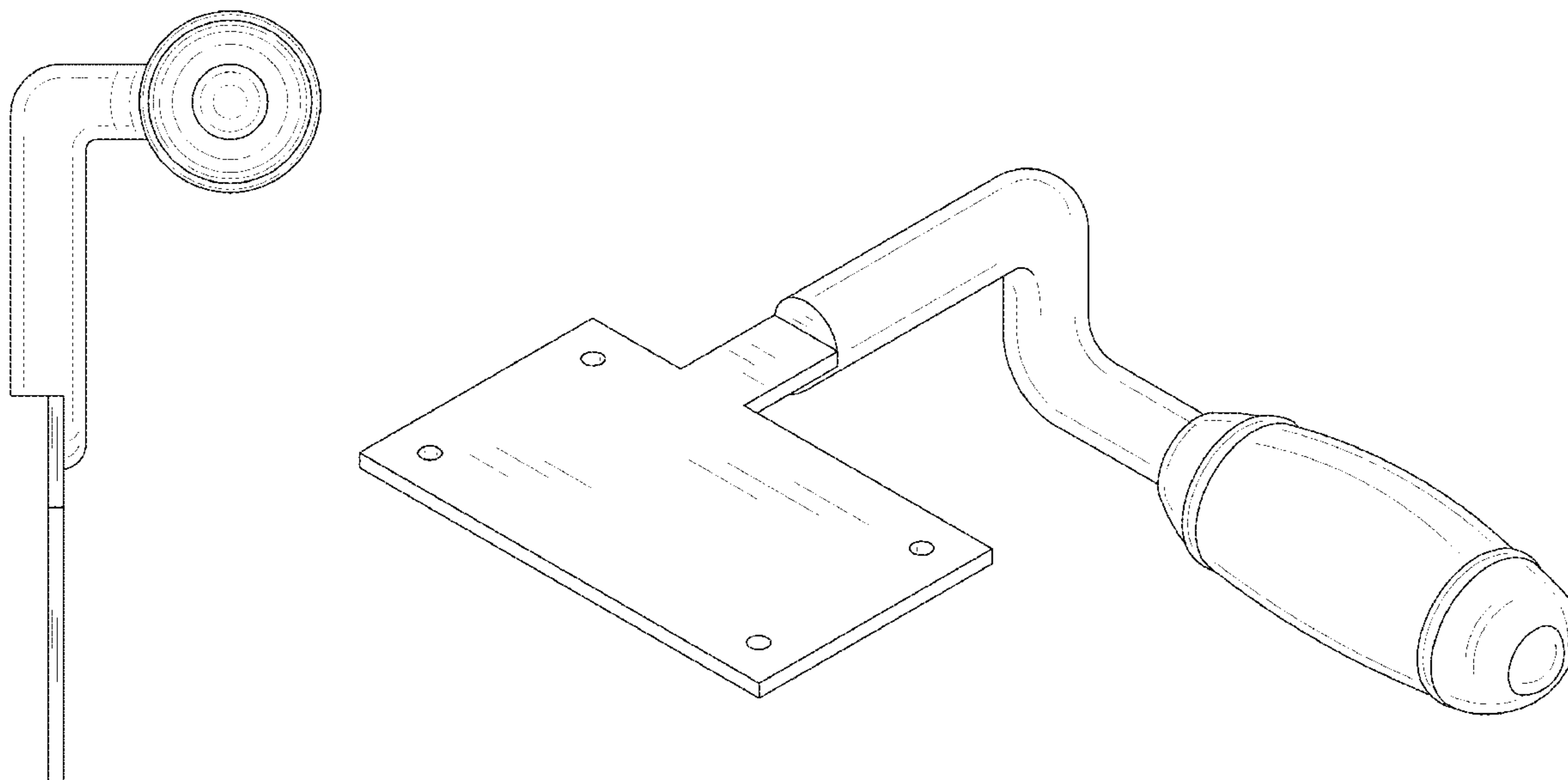
(57) **CLAIM**

I claim the ornamental design for the toilet lid opener, as shown and described.

DESCRIPTION

FIG. 1 is a bottom view of the toilet lid opener. FIG. 2 is a top view of the claimed design. FIG. 3 is a left side view of the claimed design. FIG. 4 is a right side view of the claimed design. FIG. 5 is a front side view of the claimed design. FIG. 6 is a rear side view of the claimed design. FIG. 7 is a perspective view of the claimed design; and, FIG. 8 is another perspective view of the claimed design in use with a toilet seat. The toilet seat and toilet are depicted in broken lines, which is environmental matter forming no part of the claimed design.

1 Claim, 6 Drawing Sheets



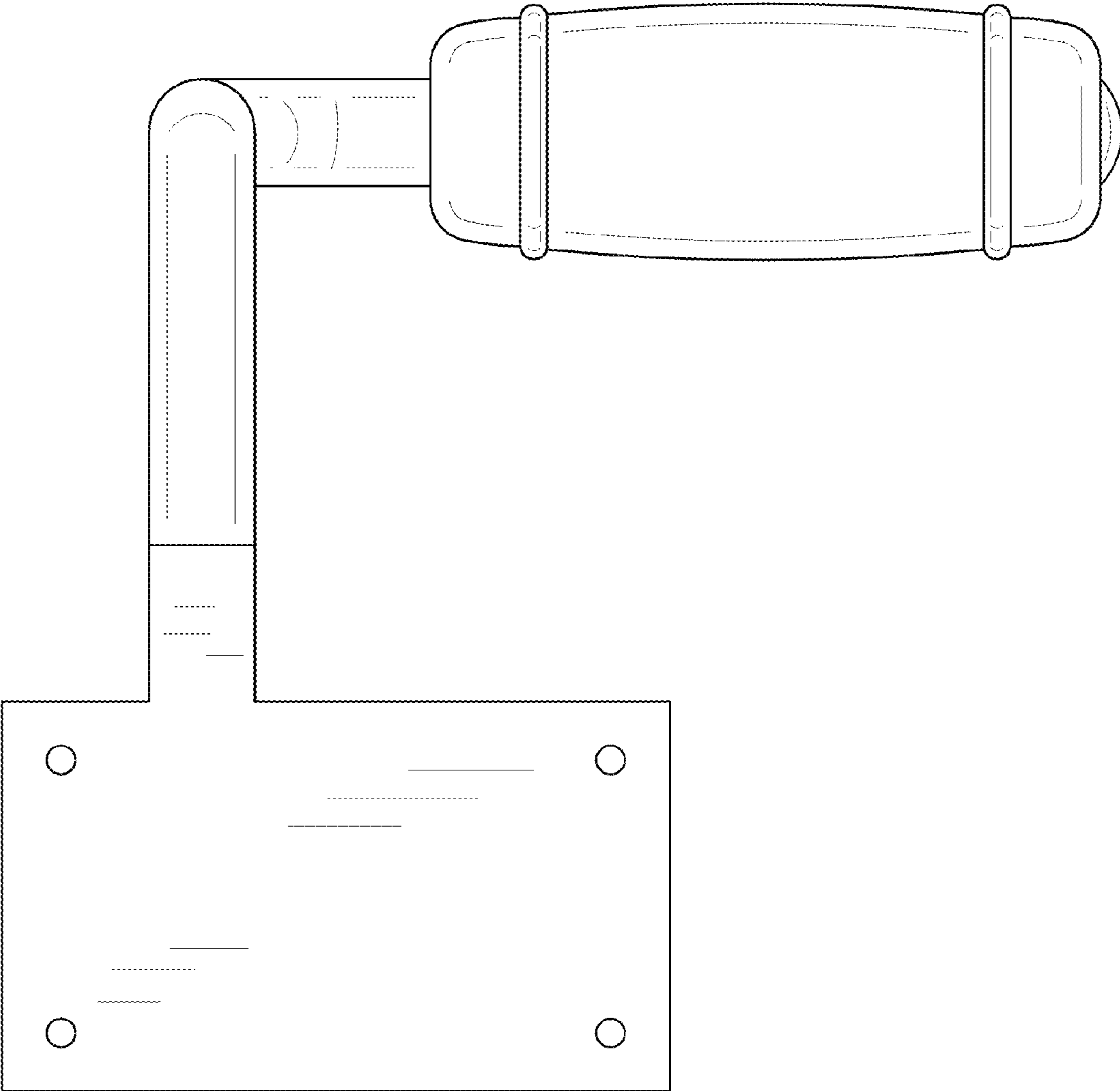


FIG. 1

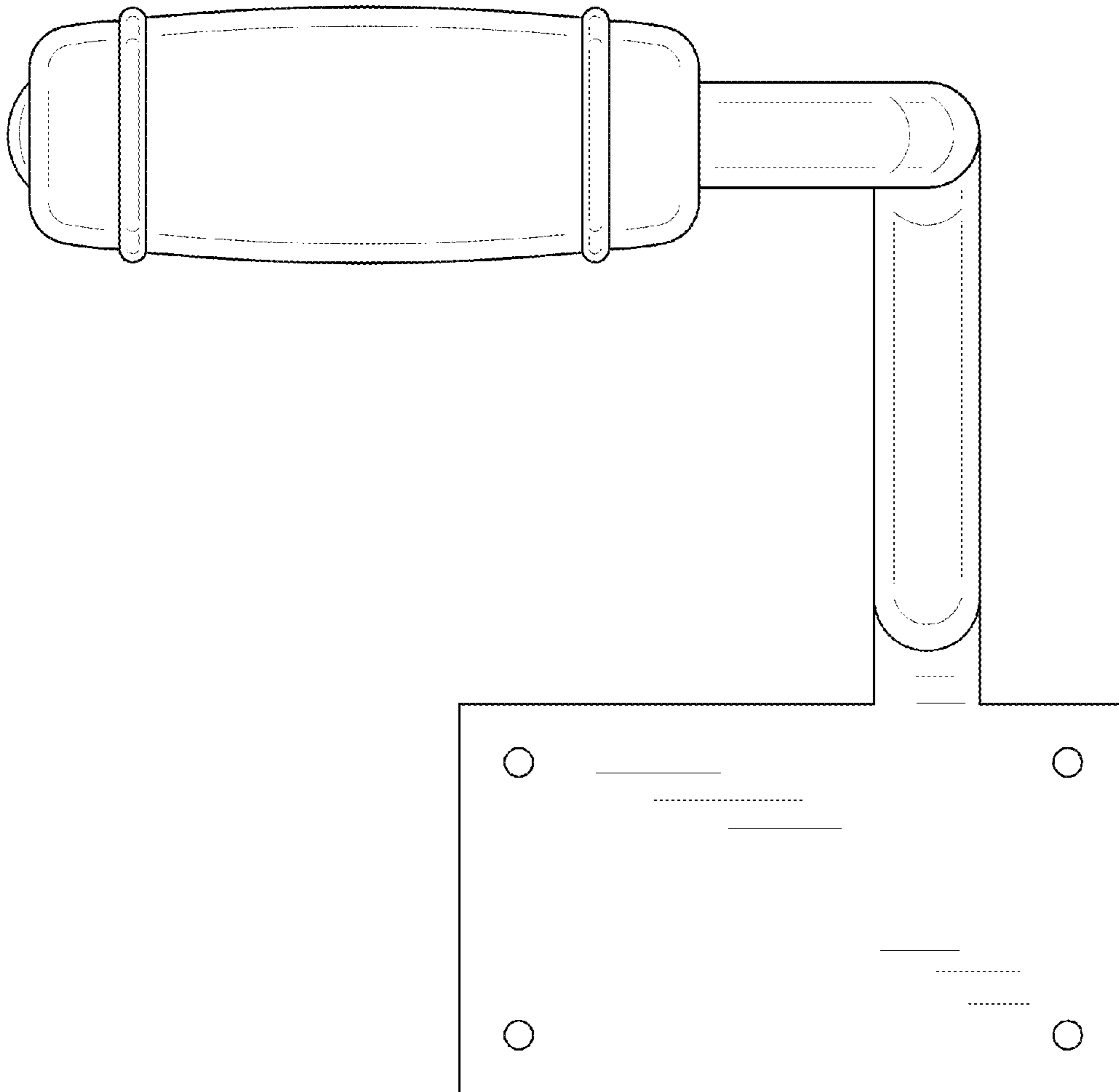


FIG. 2

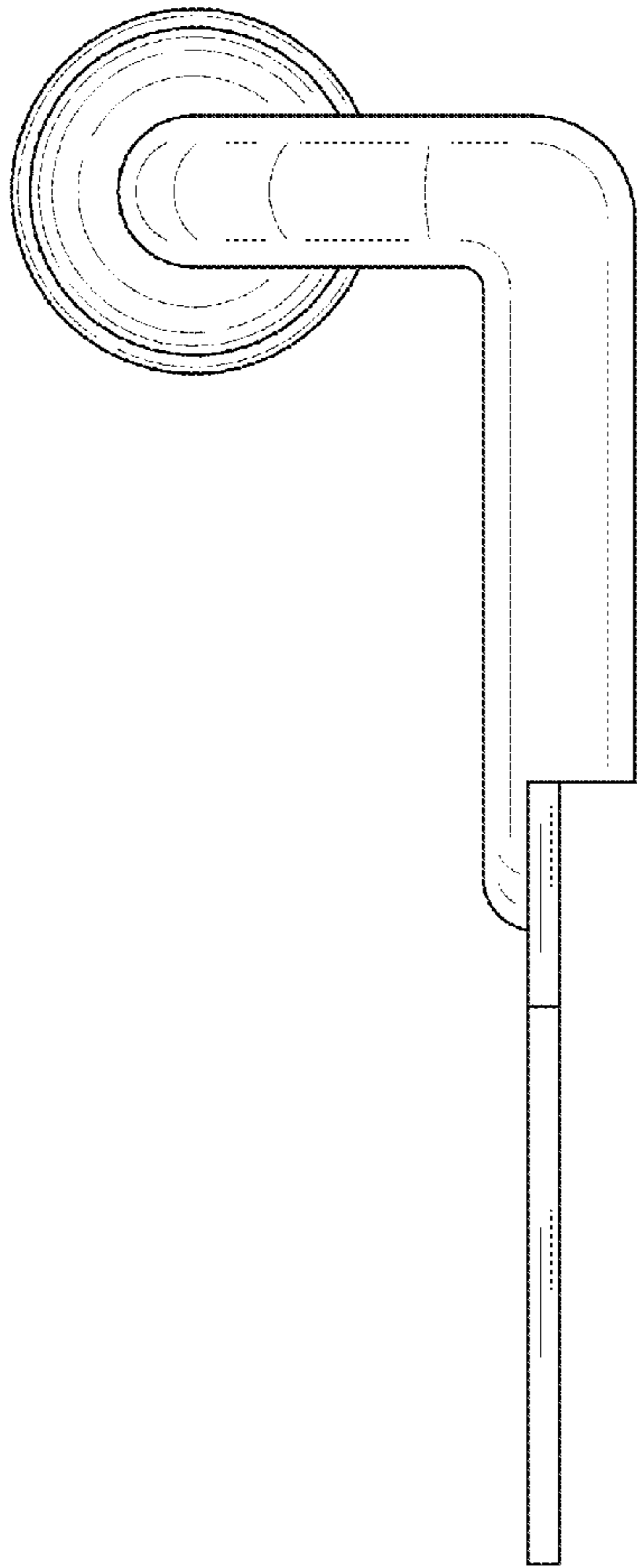


FIG. 3

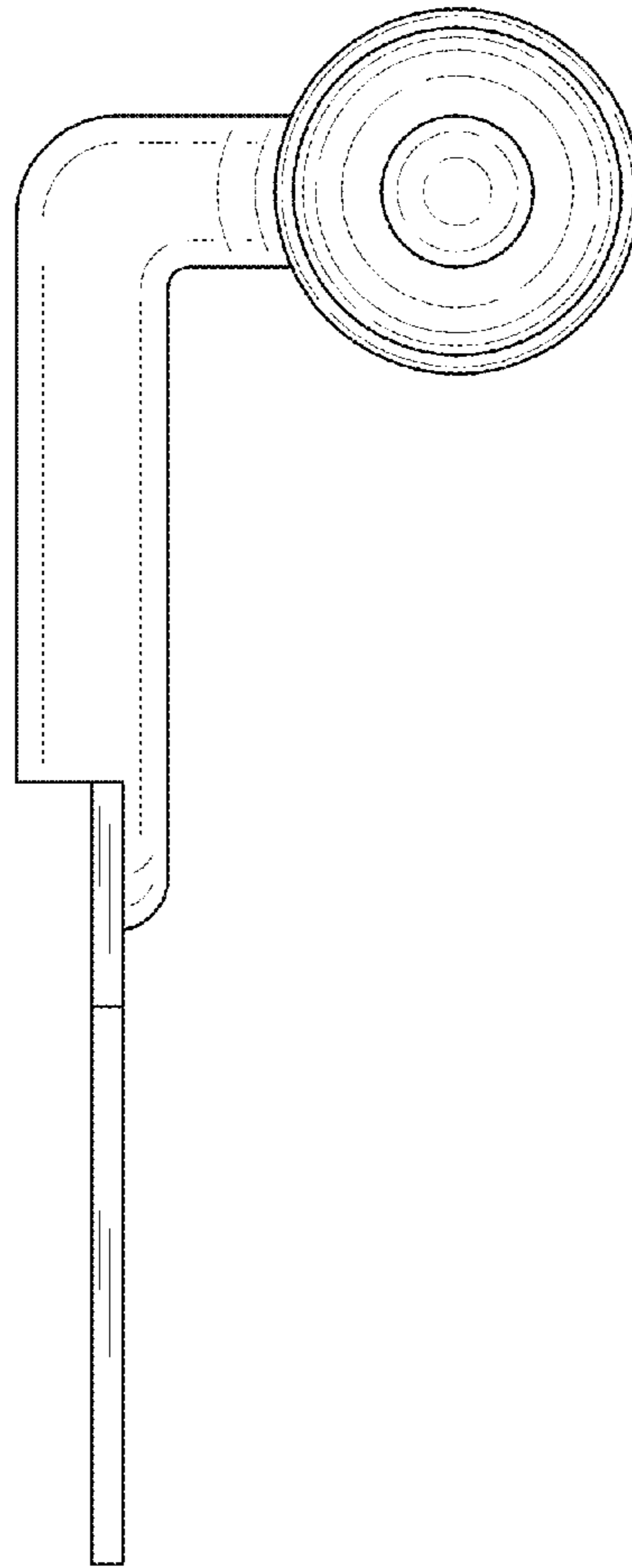


FIG. 4

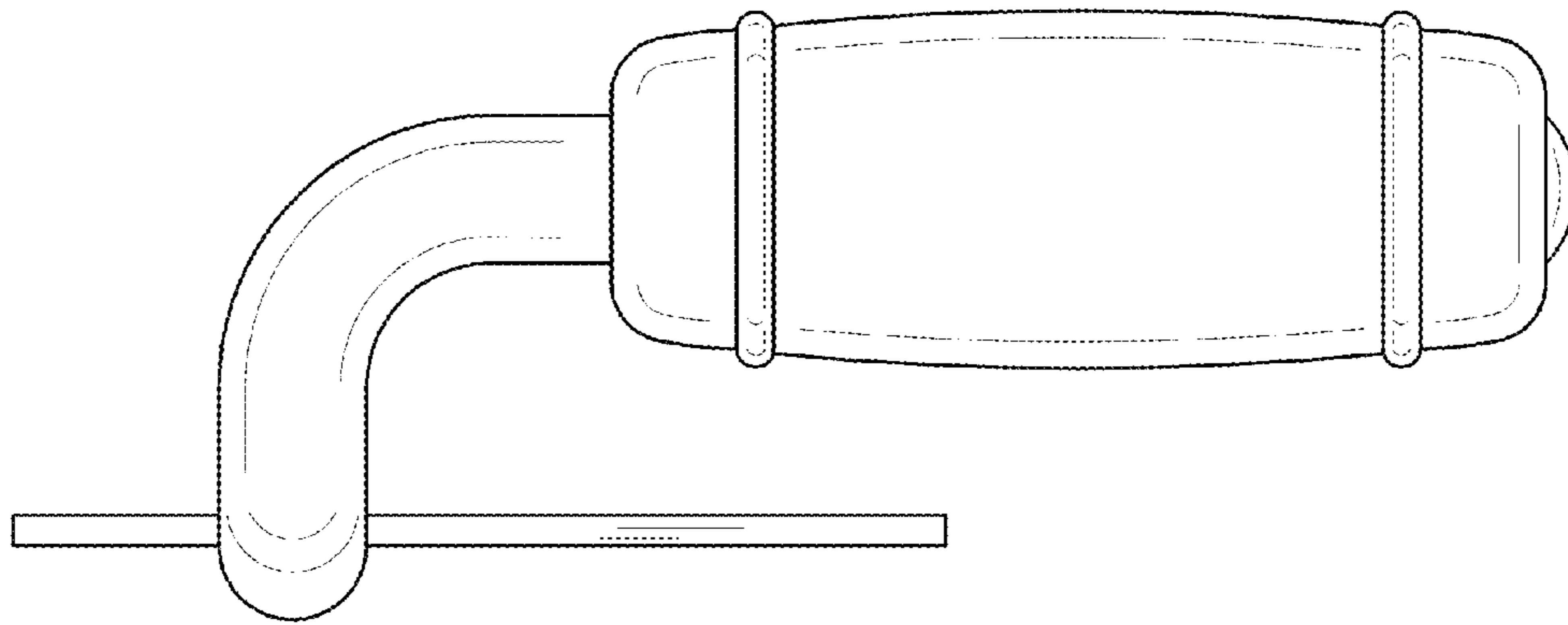


FIG. 5

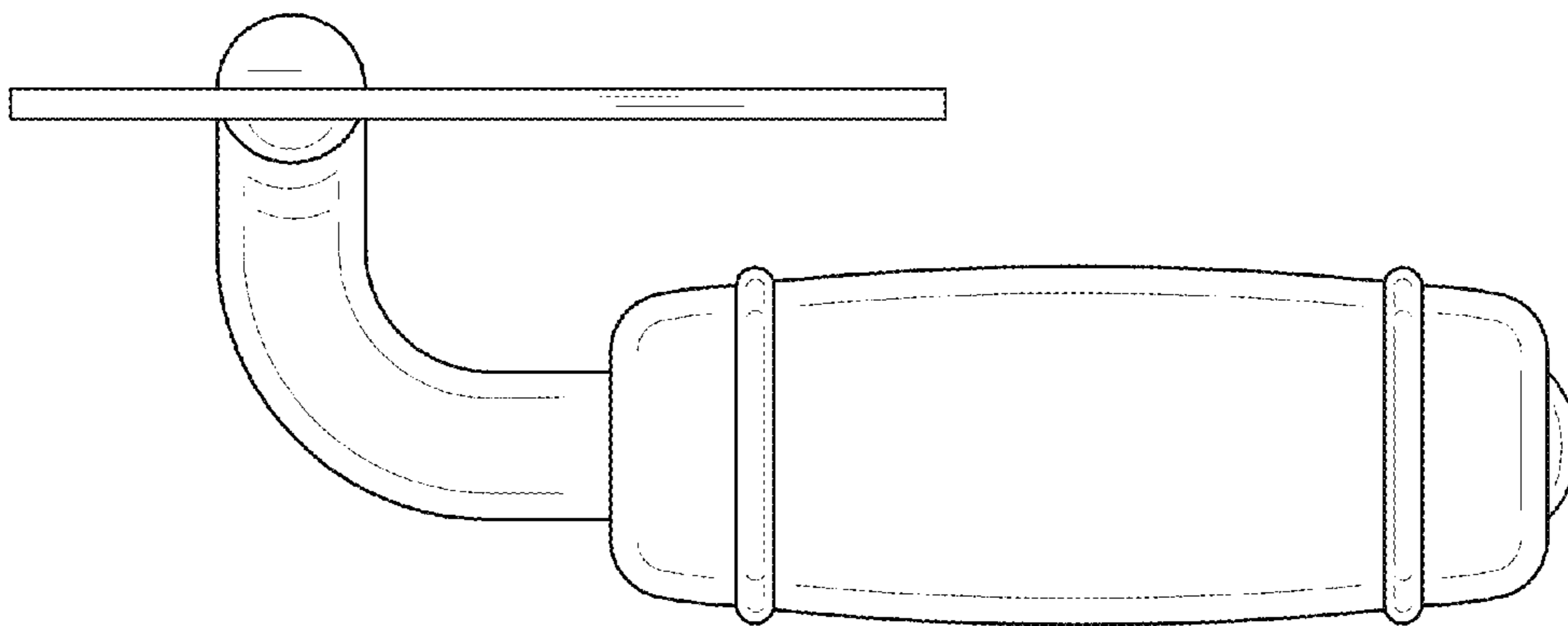


FIG. 6

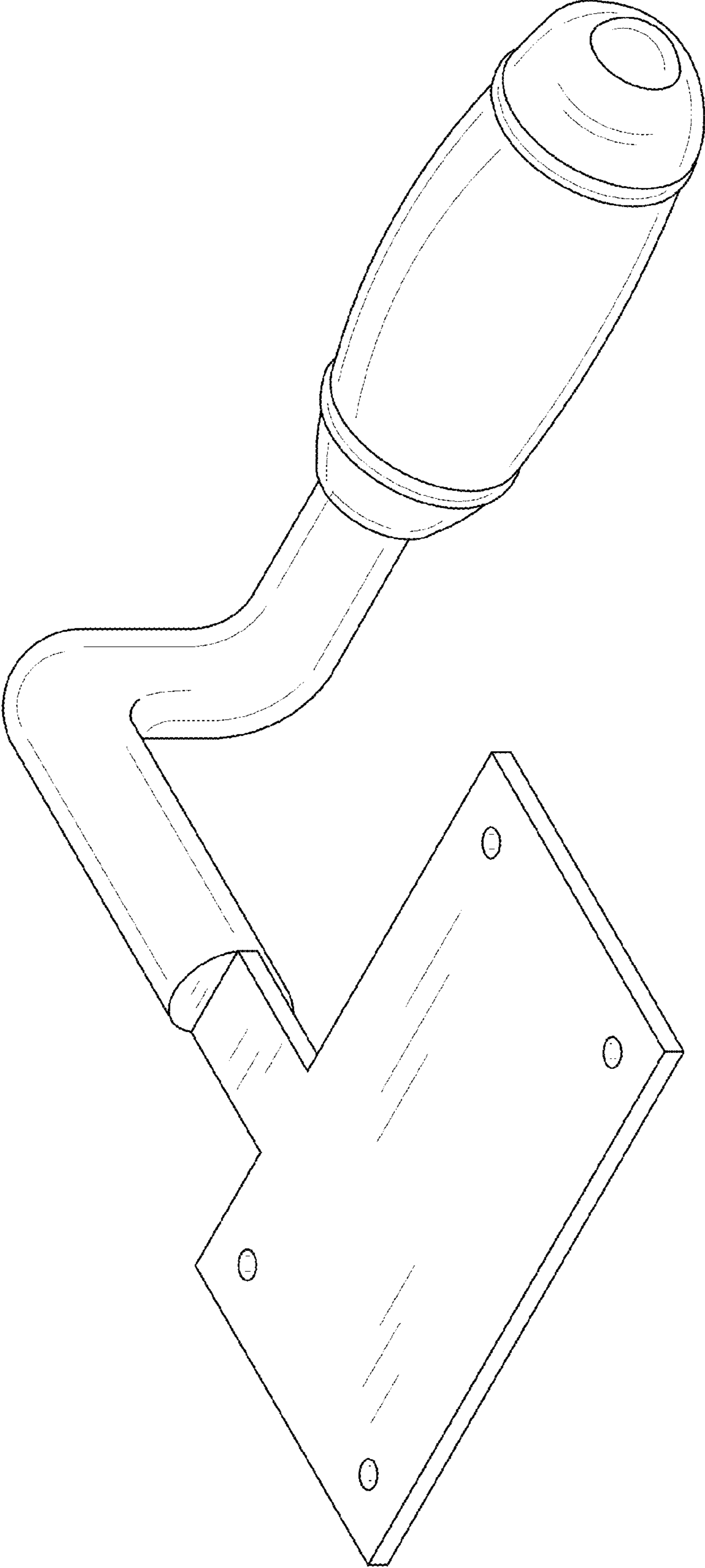


FIG. 7

