



US00D717627S

(12) **United States Design Patent**
Lin

(10) **Patent No.:** **US D717,627 S**

(45) **Date of Patent:** **** Nov. 18, 2014**

(54) **TRIMMING KNIFE**

(76) Inventor: **Kun-Meng Lin**, Huatan Township,
Changhua County (TW)

(**) Term: **14 Years**

(21) Appl. No.: **29/429,966**

(22) Filed: **Aug. 20, 2012**

(51) **LOC (10) Cl.** **08-03**

(52) **U.S. Cl.**
USPC **D8/98**

(58) **Field of Classification Search**
USPC D8/14, 98; D32/46; 482/2, 329, 278,
482/280, 286, 294

See application file for complete search history.

(56) **References Cited**

U.S. PATENT DOCUMENTS

D263,384	S	*	3/1982	Martignette	D11/100
4,408,396	A	*	10/1983	Schöll	30/294
D303,861	S	*	10/1989	Chen	D32/48
D320,921	S	*	10/1991	Henke et al.	D8/98
5,181,320	A	*	1/1993	Tucciarone	30/123
D338,822	S	*	8/1993	Mallalieu	D8/107

D453,599	S	*	2/2002	Backman et al.	D32/49
6,351,888	B1	*	3/2002	Brown et al.	30/169
D461,938	S	*	8/2002	Backman et al.	D32/48
D480,288	S	*	10/2003	DeLillo	D8/98
D584,870	S	*	1/2009	Arvinte et al.	D32/49

* cited by examiner

Primary Examiner — Phillip S Hyder

(57) **CLAIM**

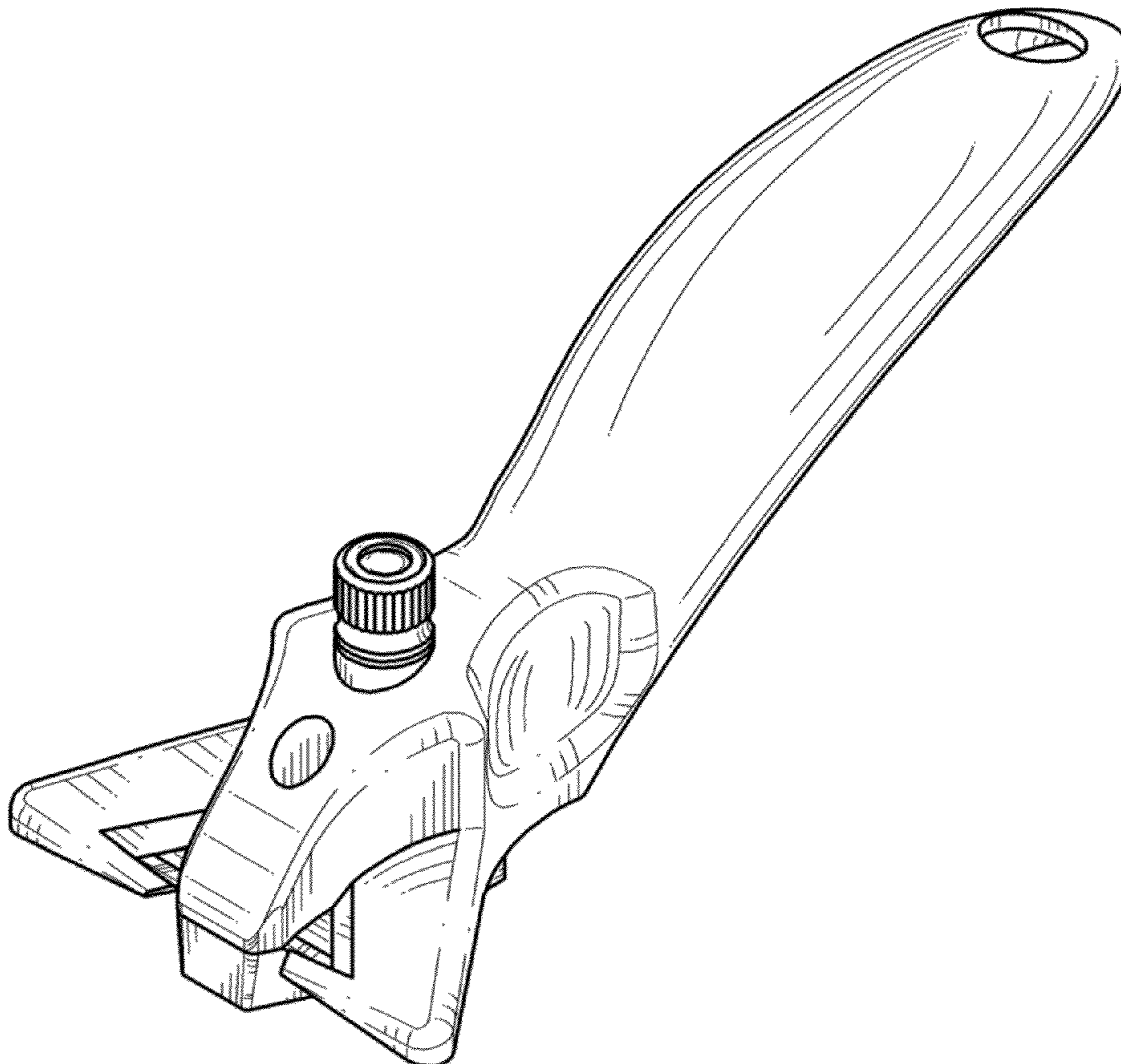
The design for trimming knife, described in appearance and pattern, as shown and described.

DESCRIPTION

FIG. 1 is a perspective view of a trimming knife showing my new design;
FIG. 2 is a front elevation view thereof;
FIG. 3 is a rear elevation view thereof;
FIG. 4 is a left side elevation view thereof;
FIG. 5 is a right side elevation view thereof;
FIG. 6 is a top plan view thereof; and,
FIG. 7 is bottom plan view thereof.

The broken lines depict portions of the trimming knife in which the design is embodied that are not considered part of the claimed design.

1 Claim, 7 Drawing Sheets



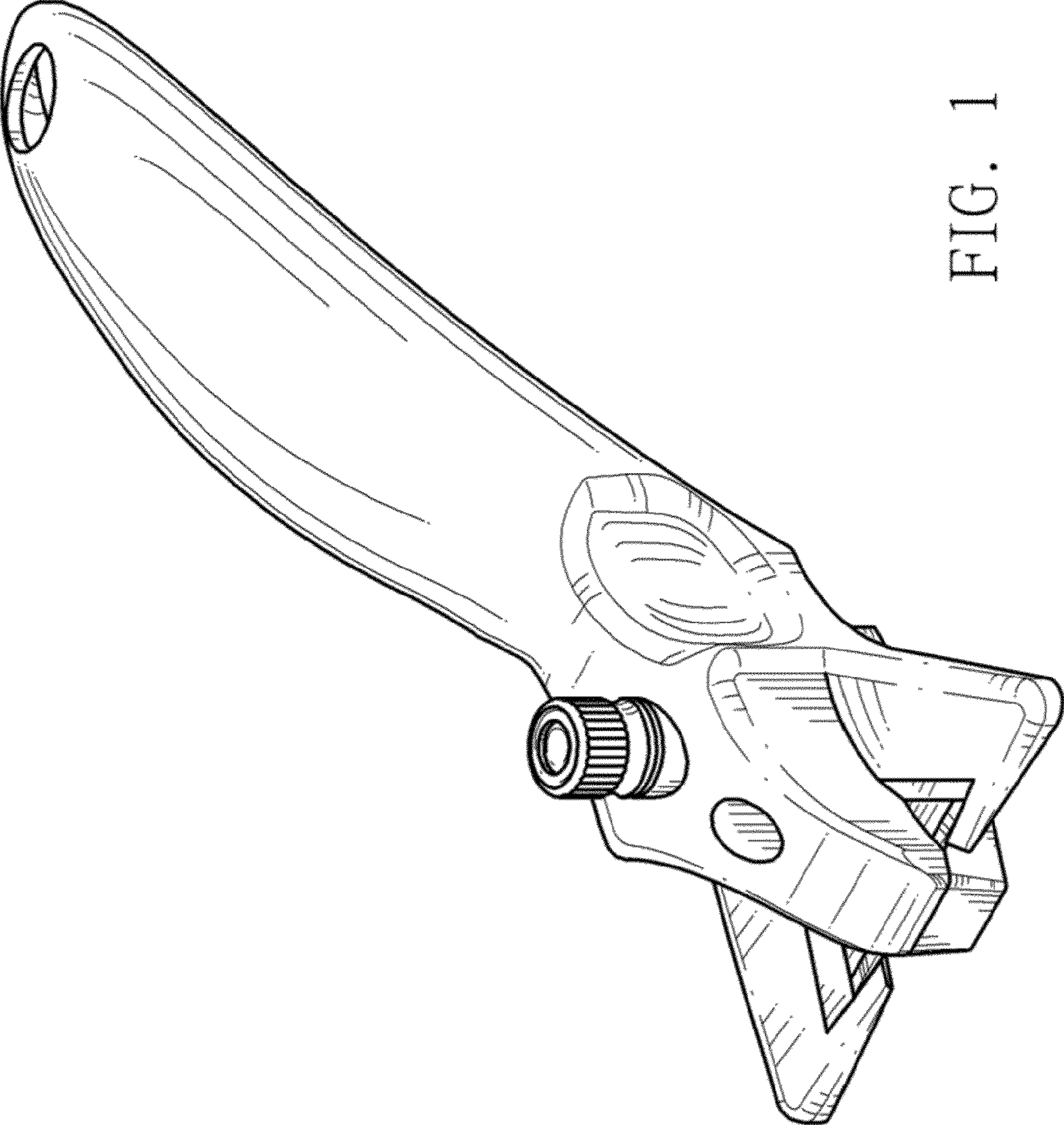


FIG. 1

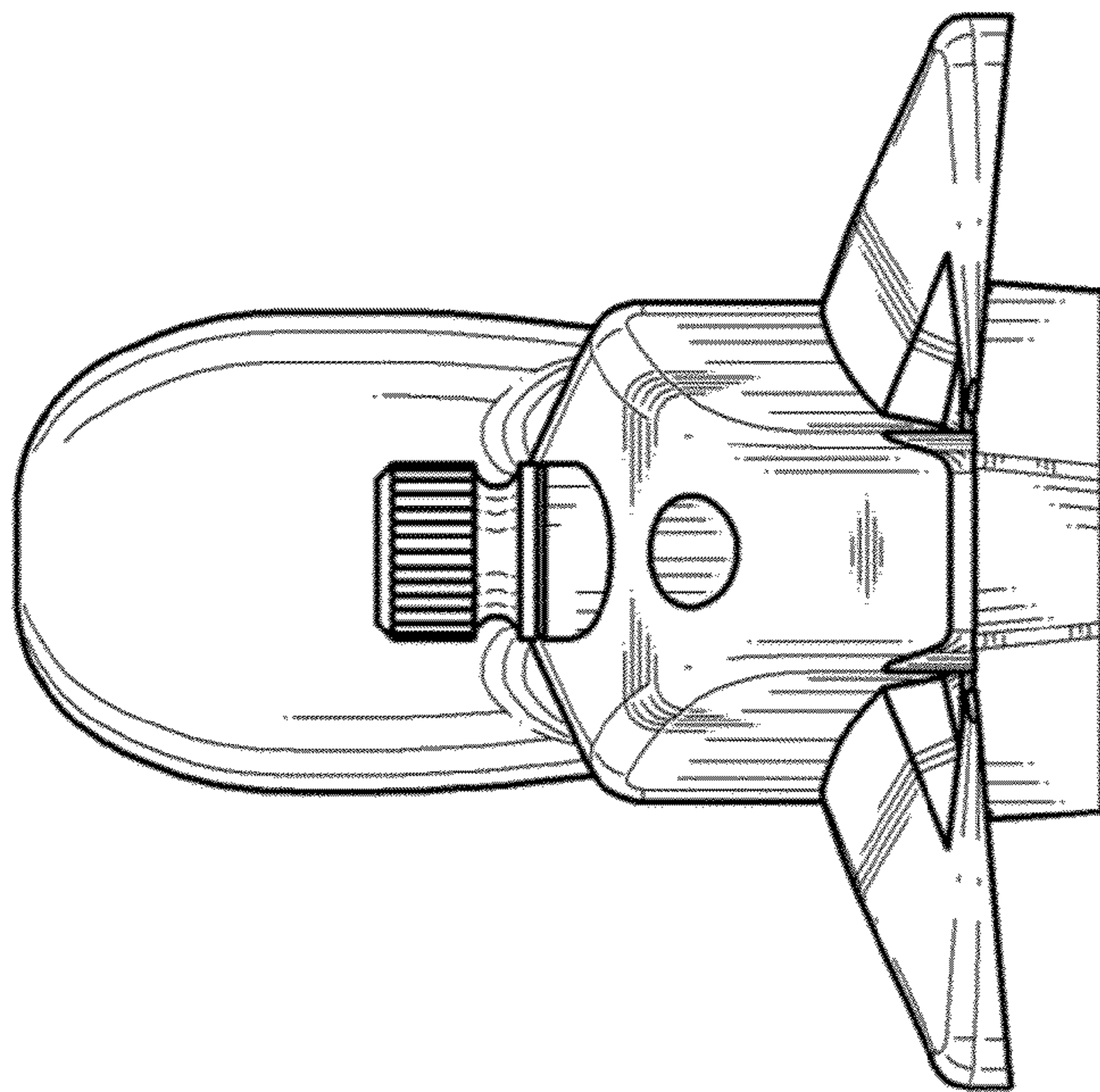


FIG. 2

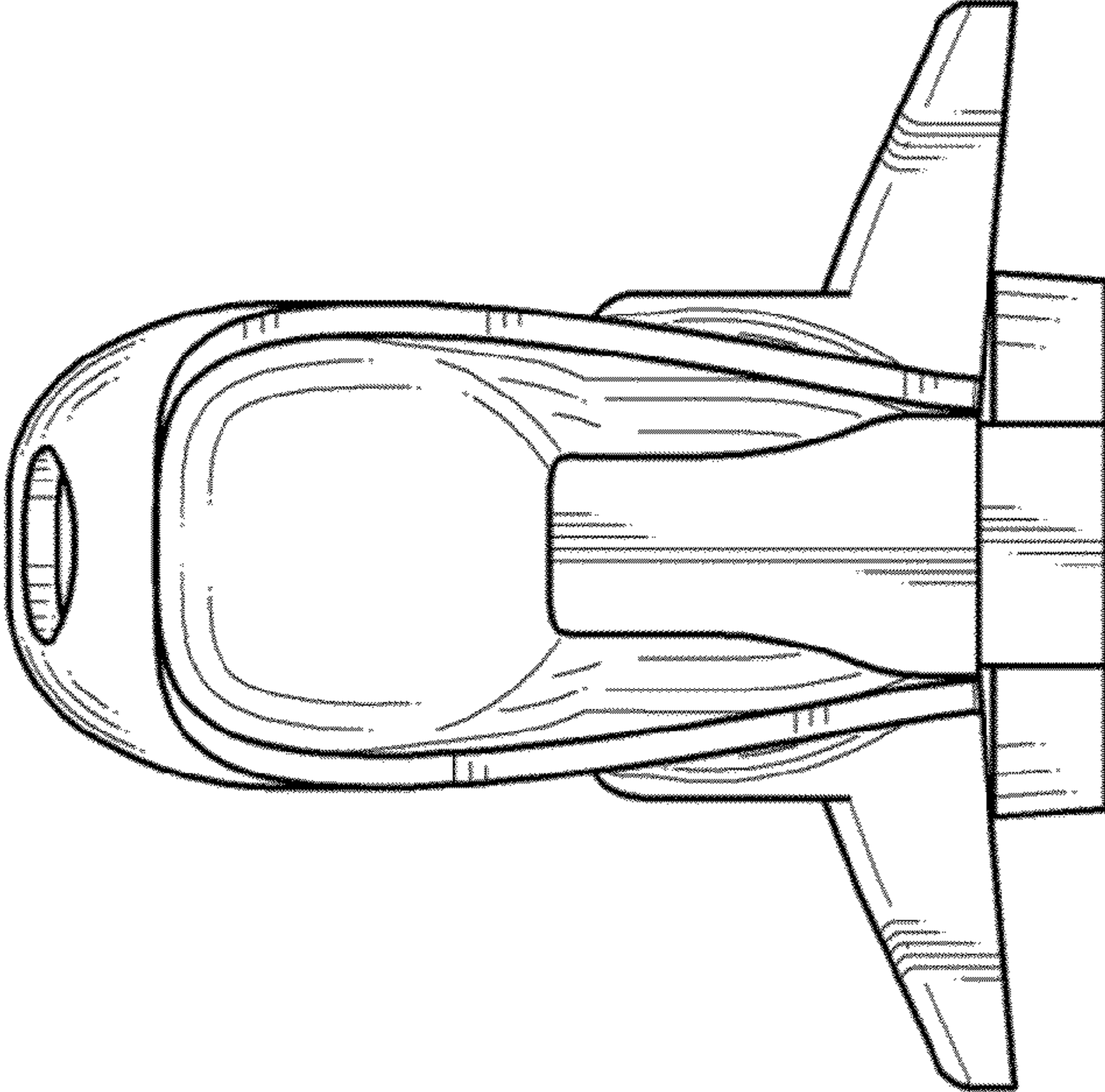


FIG. 3

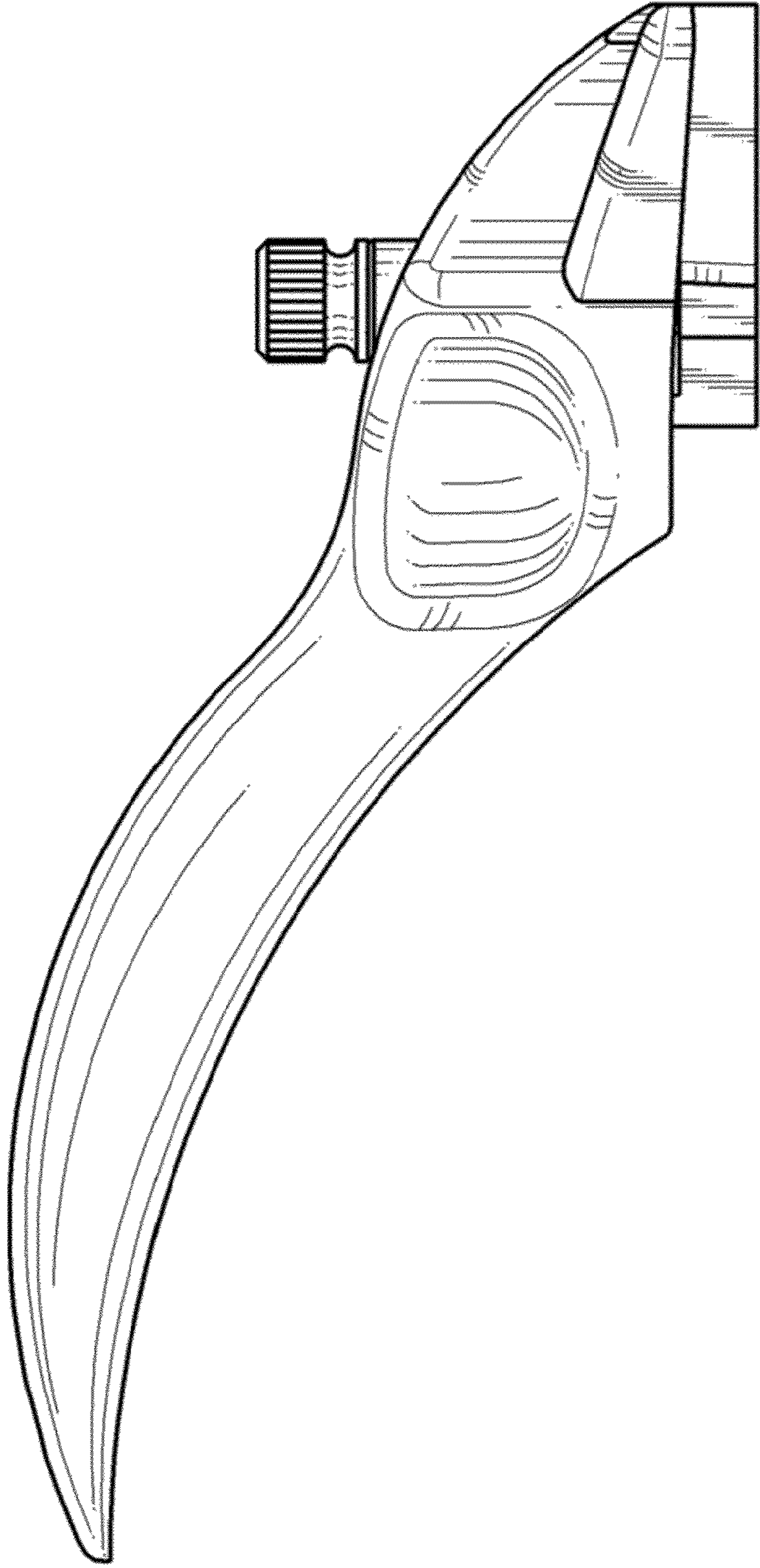


FIG. 4

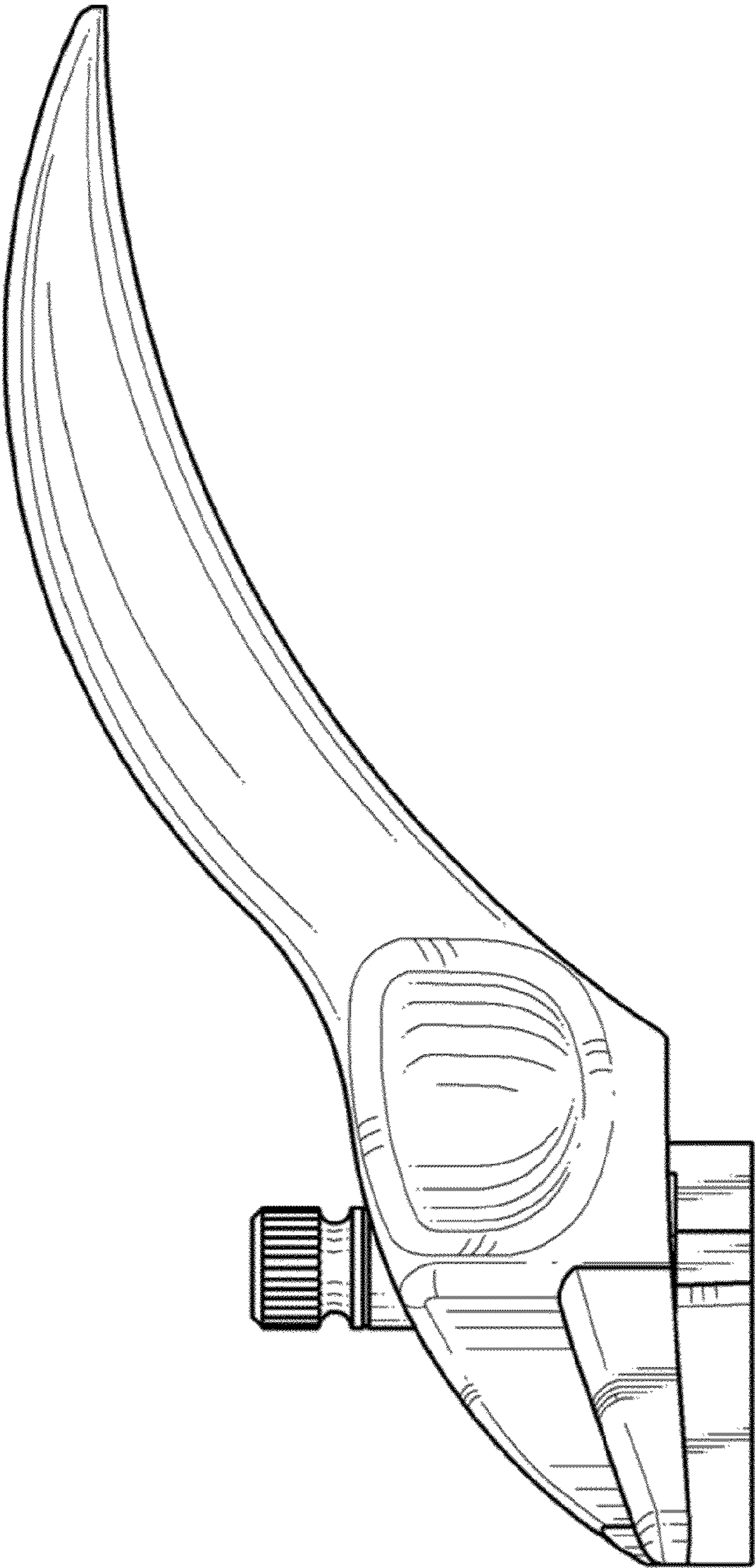


FIG. 5

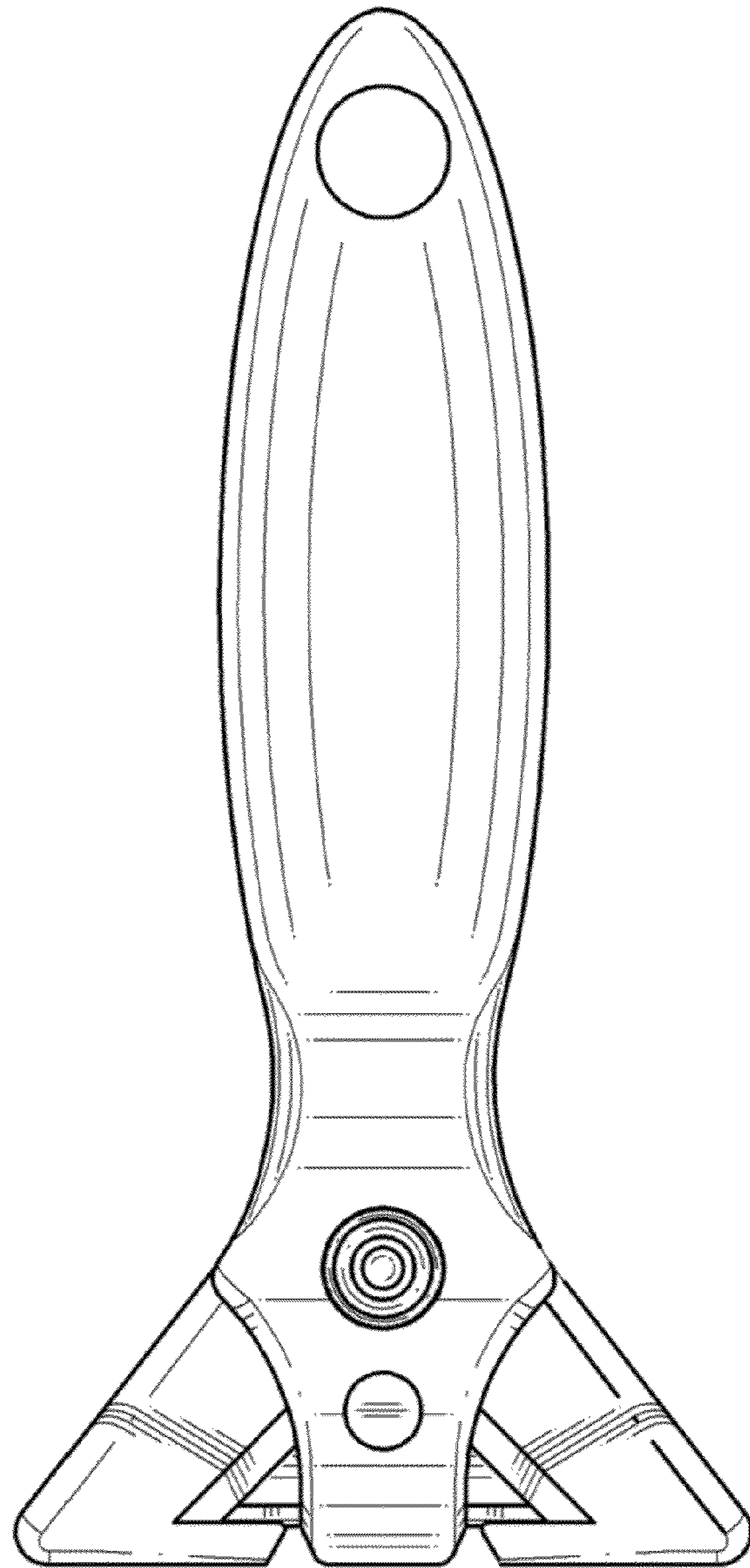


FIG. 6

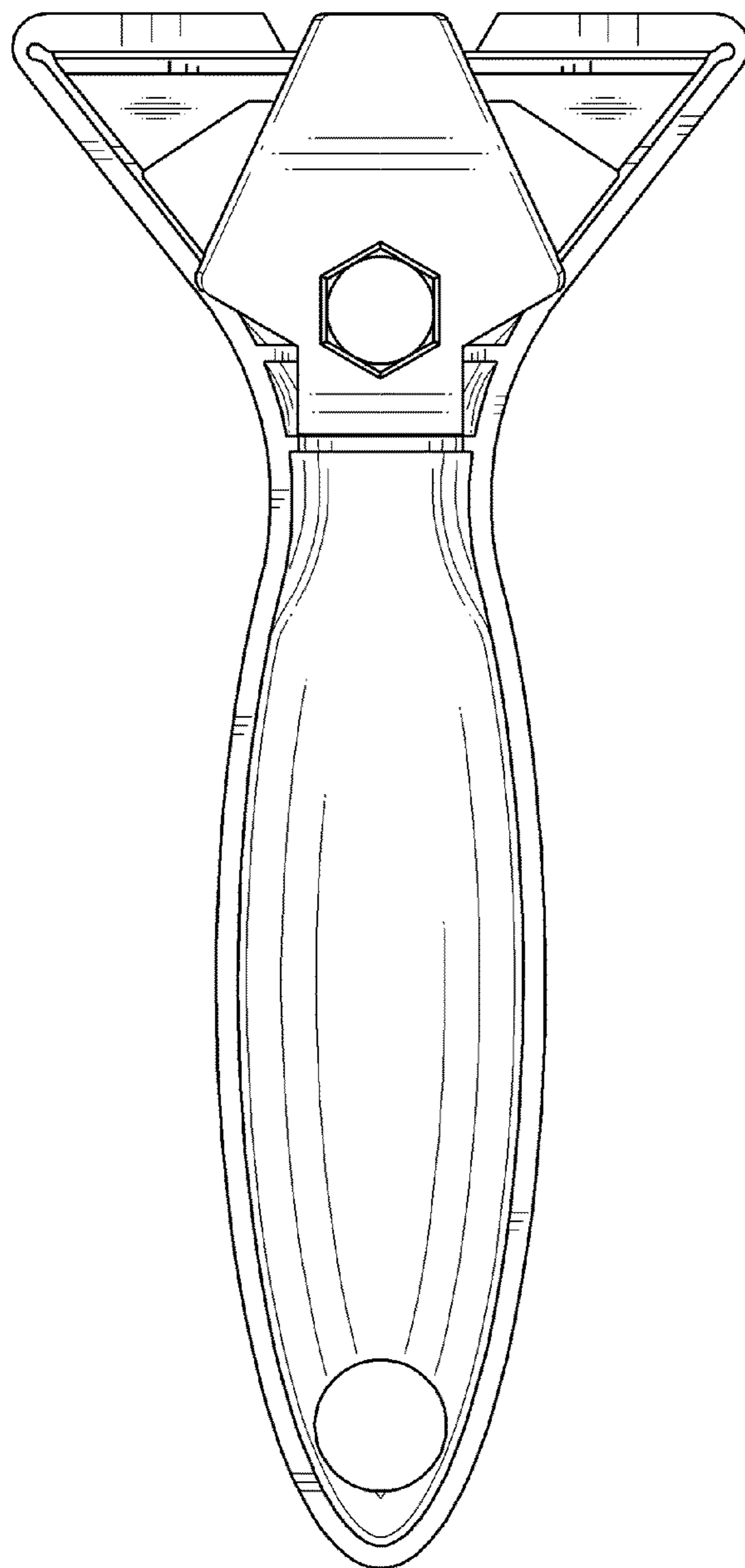


FIG. 7