



US00D717626S

(12) **United States Design Patent**
Dickrede

(10) **Patent No.:** **US D717,626 S**

(45) **Date of Patent:** **** Nov. 18, 2014**

- (54) **ADAPTOR FOR HOLDING A TAP
THREADING DEVICE**
- (71) Applicant: **Ronald W. Dickrede**, Delphos, OH (US)
- (72) Inventor: **Ronald W. Dickrede**, Delphos, OH (US)
- (**) Term: **14 Years**
- (21) Appl. No.: **29/447,381**
- (22) Filed: **Mar. 2, 2013**
- (51) **LOC (10) Cl.** **08-05**
- (52) **U.S. Cl.**
USPC **D8/70**
- (58) **Field of Classification Search**
USPC D8/68, 70, 71, 85, 86; D15/138-140;
81/177.85, 436, 441, 901; 279/30, 62,
279/74, 75, 143, 144, 145, 900, 902;
403/322.2; 408/143, 144, 153, 239 A,
408/239 R; 299/87.1, 106, 107, 109
See application file for complete search history.

6,543,959	B1	4/2003	Jore	
7,334,970	B2	2/2008	Kozak	
D589,319	S *	3/2009	Peters D8/70
D609,073	S *	2/2010	Lin D8/70
7,896,357	B2 *	3/2011	Peters 279/143
D673,193	S *	12/2012	Dickrede D15/139
8,540,580	B2 *	9/2013	Santamarina et al. 464/37

* cited by examiner

Primary Examiner — Philip S Hyder
Assistant Examiner — Darlington Ly
(74) *Attorney, Agent, or Firm* — Richard L. Miller

(57) **CLAIM**
The ornamental design for an adaptor for holding a tap threading device, as shown and described.

DESCRIPTION

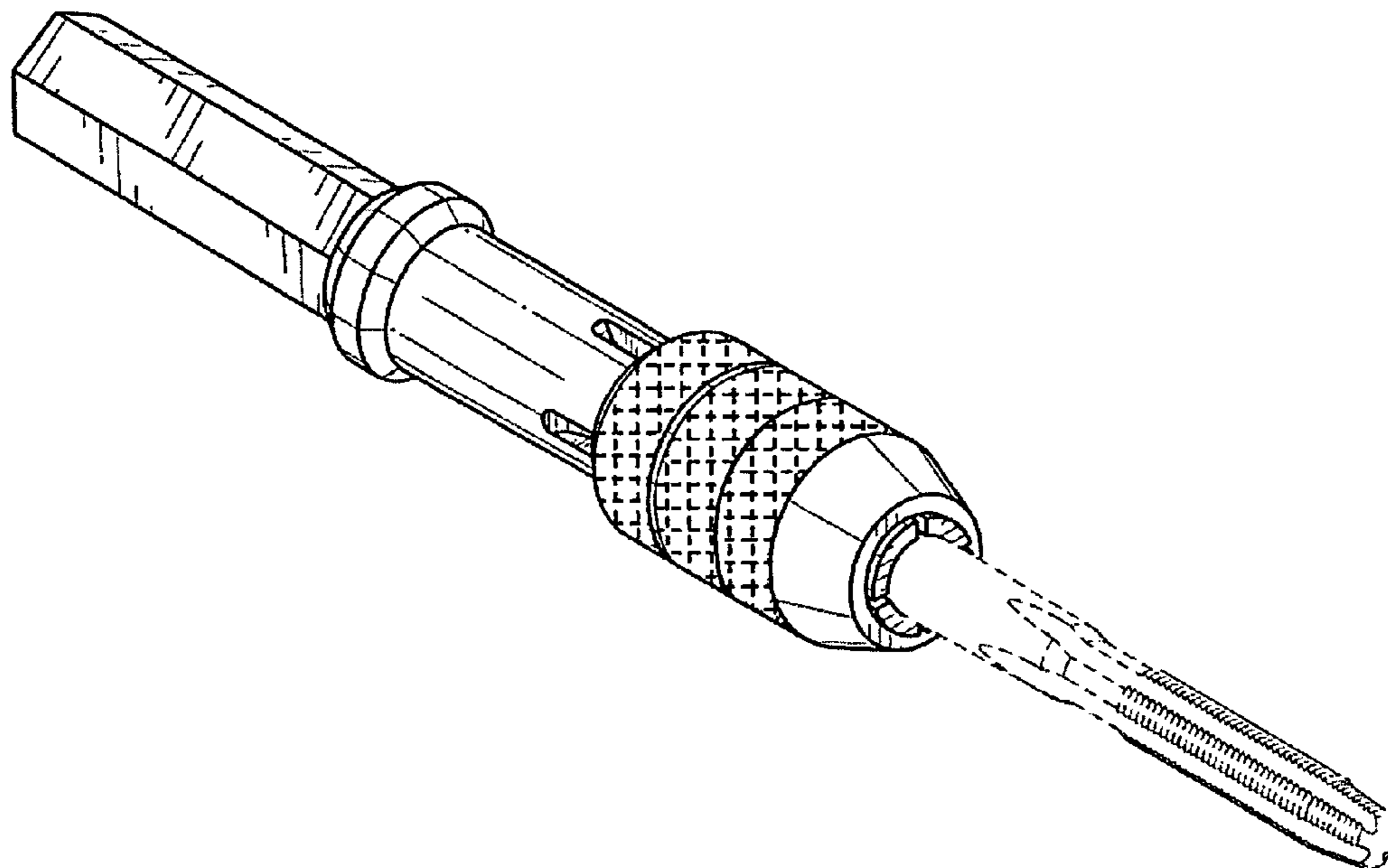
FIG. 1 is a perspective view of an adaptor for holding a tap threading device showing my new design; FIG. 2 is a top plan view thereof, wherein the bottom plan view is a mirror image; both opposing views are taken in the direction of arrows 2 in FIG. 6; FIG. 3 is a side elevational view thereof, wherein the opposing side elevational view is a mirror image; both opposing side views are taken in the direction of arrows 3 in FIG. 6; FIG. 4 is a front elevational view thereof taken in the direction of arrow 4 in FIG. 6; and, FIG. 5 is a rear elevational view thereof taken in the direction of arrow 5 in FIG. 6; and, FIG. 6 is a perspective view thereof, wherein reference legends are provided to coordinate with the plan and elevation views shown in FIGS. 2-4. The broken lines in the drawing illustrate environmental structure and portions of the adaptor for holding a tap threading device that forms no part of the claimed design.

1 Claim, 3 Drawing Sheets

(56) **References Cited**

U.S. PATENT DOCUMENTS

2,684,491	A	7/1954	Roddick	
4,629,375	A *	12/1986	Lieser 408/239 R
4,692,073	A *	9/1987	Martindell 408/239 A
5,033,920	A *	7/1991	Cantanese 408/239 R
D330,900	S *	11/1992	Wakegijig D15/138
5,398,946	A	3/1995	Quiring	
5,586,847	A	12/1996	Mattern, Jr. et al.	
5,876,158	A	3/1999	Beiter	
D415,180	S *	10/1999	Rosanwo D15/140
6,270,085	B1 *	8/2001	Chen et al. 279/22
D449,504	S *	10/2001	Boyle et al. D8/70
6,311,989	B1 *	11/2001	Rosanwo 279/75



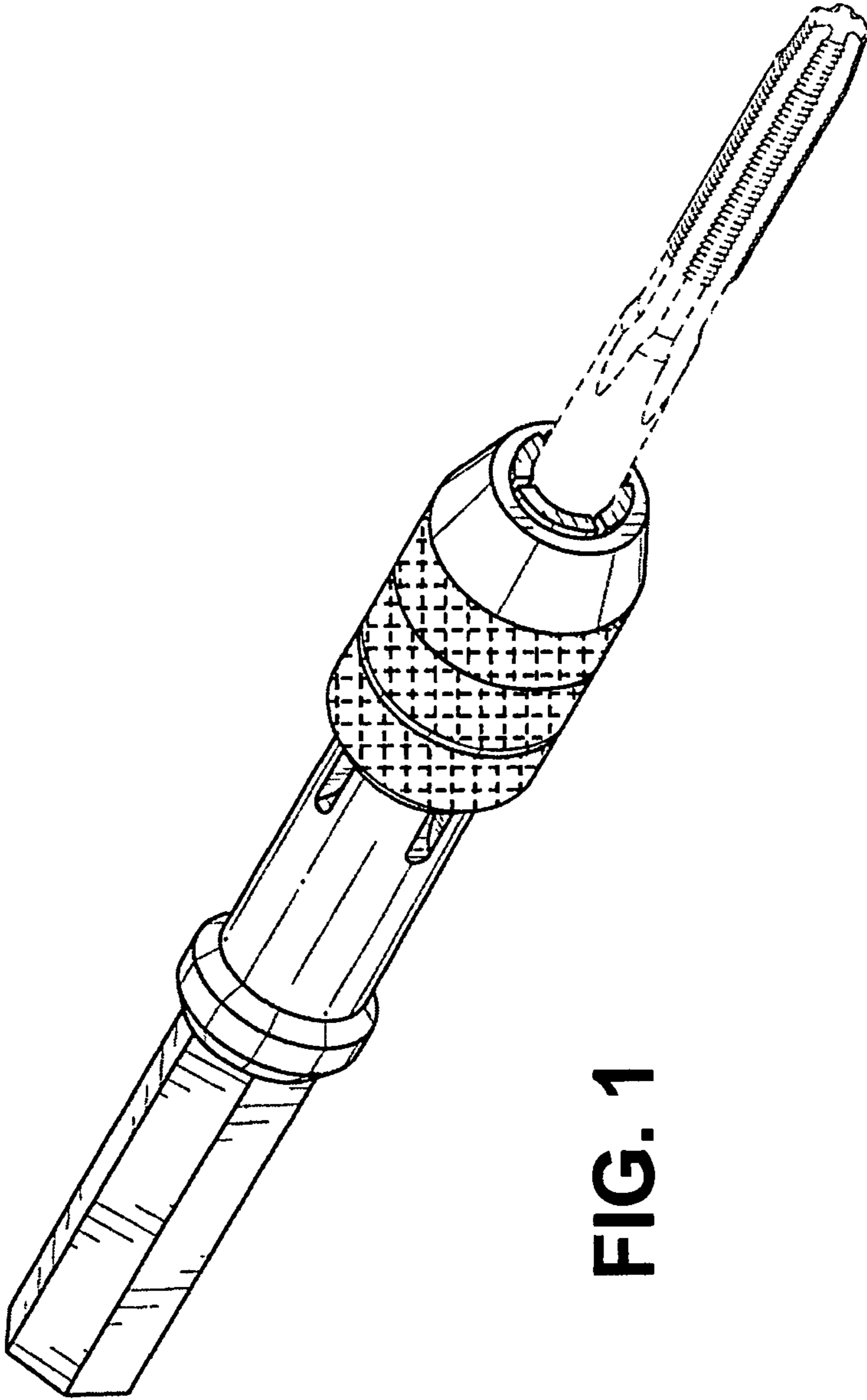


FIG. 1

FIG. 2

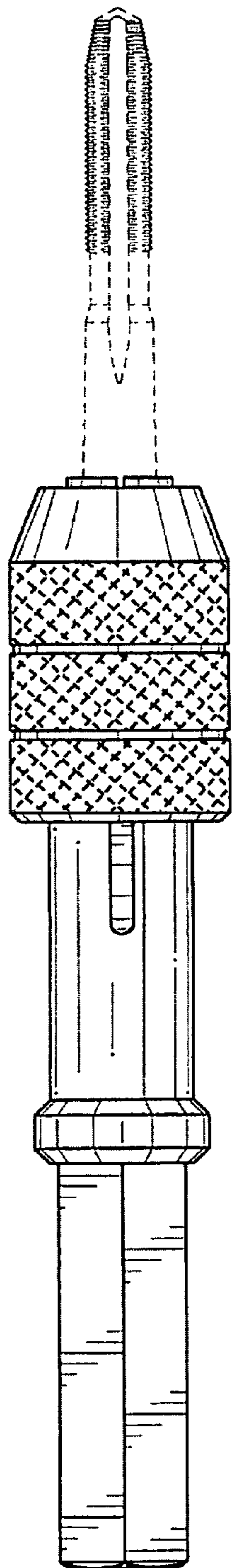


FIG. 3

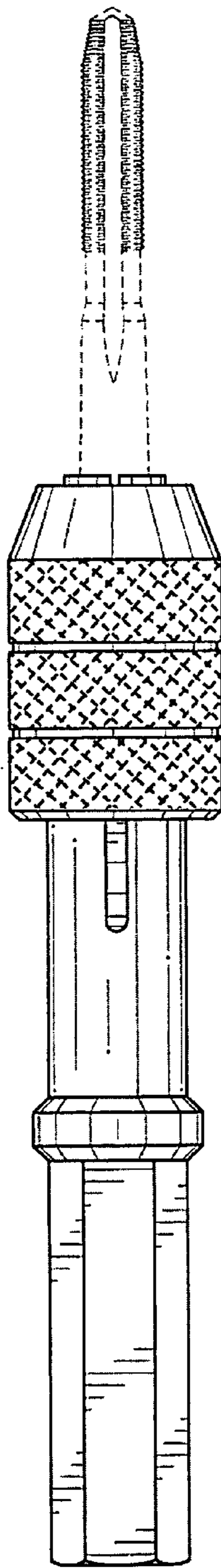


FIG. 4

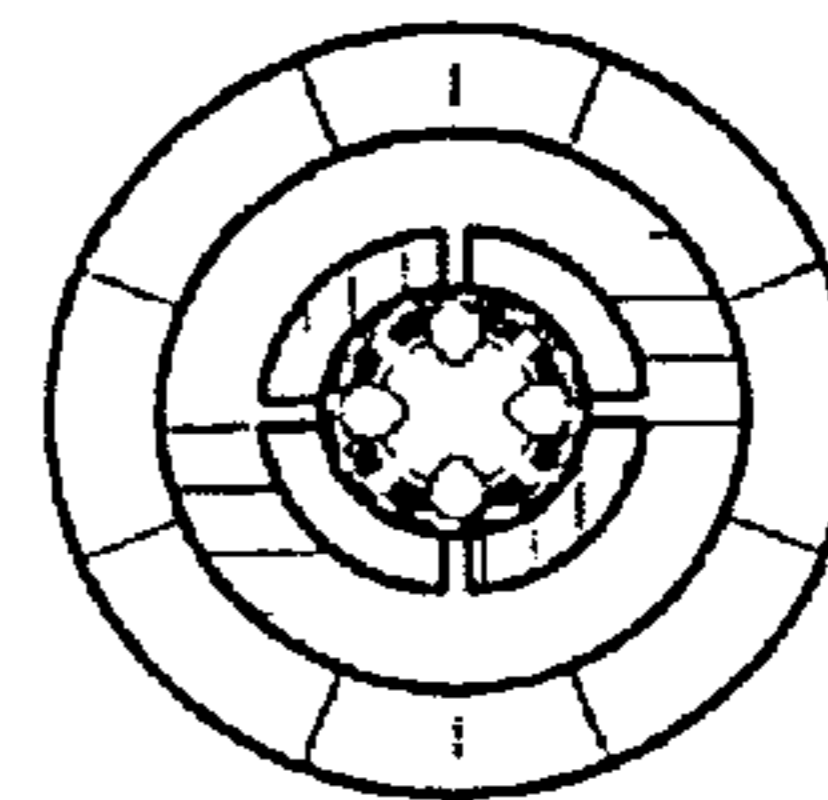
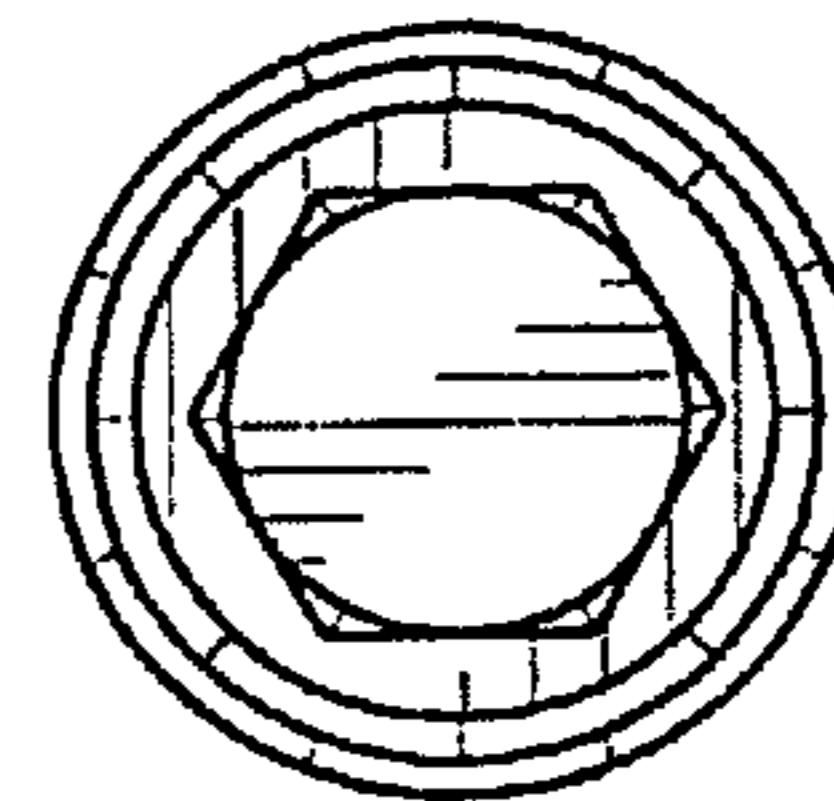


FIG. 5



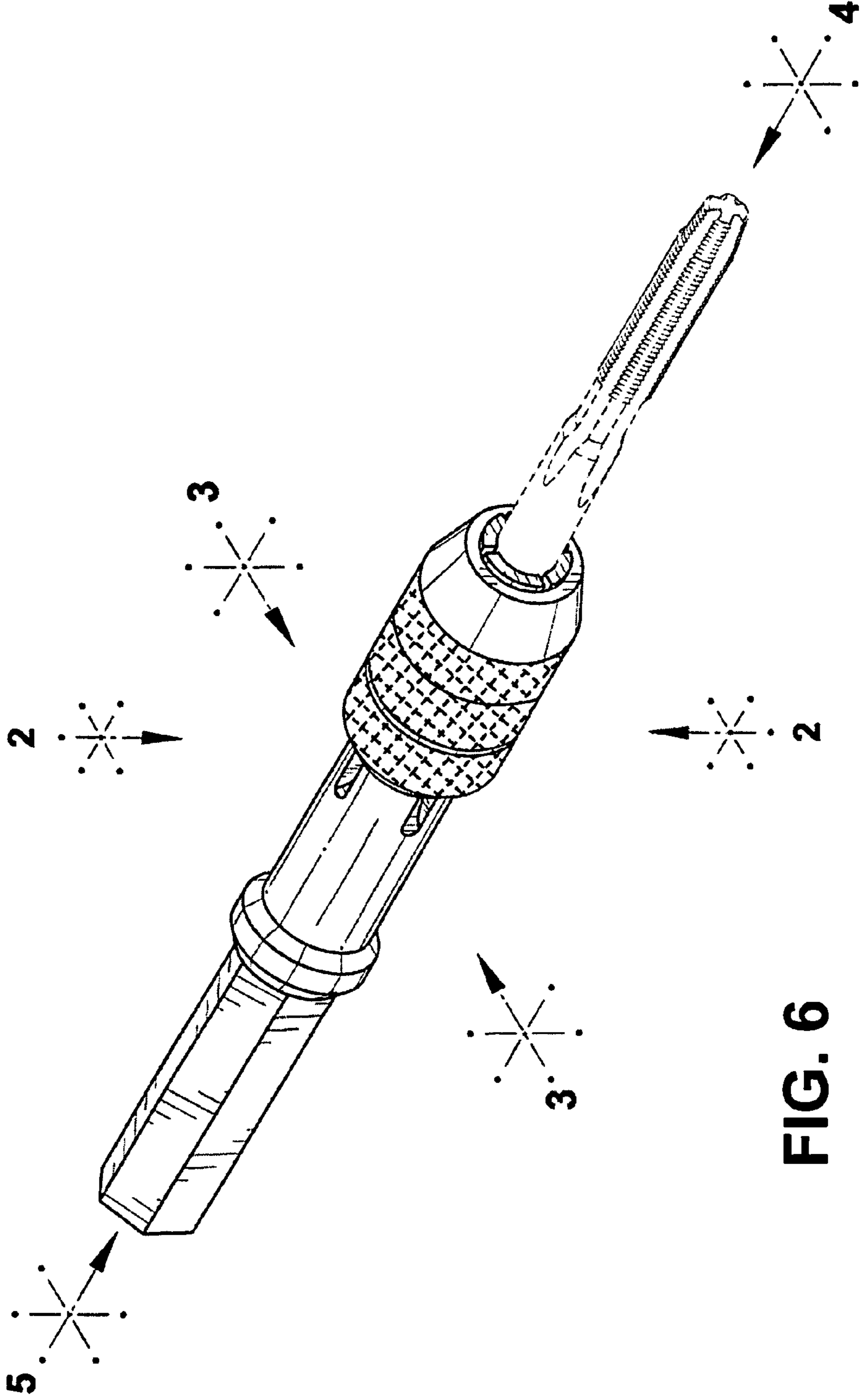


FIG. 6