



US00D717625S

(12) **United States Design Patent**  
**Martone**

(10) **Patent No.:** **US D717,625 S**

(45) **Date of Patent:** **\*\* Nov. 18, 2014**

(54) **PNEUMATIC NAILER**

(71) Applicant: **Stanley Fastening Systems, L.P.**, East  
Greenwich, RI (US)

(72) Inventor: **Joseph R. Martone**, Bristol, CT (US)

(73) Assignee: **Stanley Fastening Systems, L.P.**, North  
Kingstown, RI (US)

(\*\*) Term: **14 Years**

(21) Appl. No.: **29/445,468**

(22) Filed: **Feb. 12, 2013**

(51) **LOC (10) Cl.** ..... **08-03**

(52) **U.S. Cl.**  
USPC ..... **D8/68**

(58) **Field of Classification Search**  
USPC ..... D8/61-70; 173/2, 13, 46, 109, 110,  
173/114, 170, 178, 198, 214, 217; 227/8,  
227/113, 114, 120, 130, 136, 142; 408/20,  
408/35, 58, 67, 117, 124, 125, 234, 241 R;  
429/92; 318/139; 362/119

See application file for complete search history.

(56) **References Cited**

**U.S. PATENT DOCUMENTS**

5,180,091	A	1/1993	Ota	
5,816,468	A	10/1998	Yang	
6,045,024	A *	4/2000	Phillips	227/130
D435,769	S *	1/2001	Etter et al.	D8/68
6,179,192	B1	1/2001	Weinger et al.	
D475,597	S *	6/2003	Arai	D8/68
D478,490	S *	8/2003	Wu	D8/68
D479,110	S *	9/2003	Nolan et al.	D8/68
6,913,180	B2 *	7/2005	Schuster	227/109
6,966,476	B2	11/2005	Jalbert et al.	
D512,622	S *	12/2005	Thomas	D8/69
D553,931	S *	10/2007	Buck	D8/68
7,284,685	B1 *	10/2007	Wojcicki et al.	227/119
7,413,103	B1	8/2008	Ho et al.	

7,413,105	B1 *	8/2008	Ho et al.	227/120
7,516,532	B2 *	4/2009	Wojcicki	29/428
2006/0118591	A1 *	6/2006	Ho	227/8
2007/0125821	A1	6/2007	Wang	
2008/0135596	A1	6/2008	Wu et al.	
2009/0050668	A1 *	2/2009	Jian	227/126
2010/0206933	A1	8/2010	Wu et al.	

**FOREIGN PATENT DOCUMENTS**

JP	H0929663	A	2/1997	
JP	2002346948	A *	12/2002	B25C 7/00
JP	2005007546	A	1/2005	
WO	WO 2008023590	A1 *	2/2008	B25C 1/00

**OTHER PUBLICATIONS**

David, Radu—European Search Report re EP13181288—Oct. 3, 2013—7 pages—The Hague.

\* cited by examiner

*Primary Examiner* — Philip S Hyder

*Assistant Examiner* — Darlington Ly

(74) *Attorney, Agent, or Firm* — Rhonda L. Barton

(57) **CLAIM**

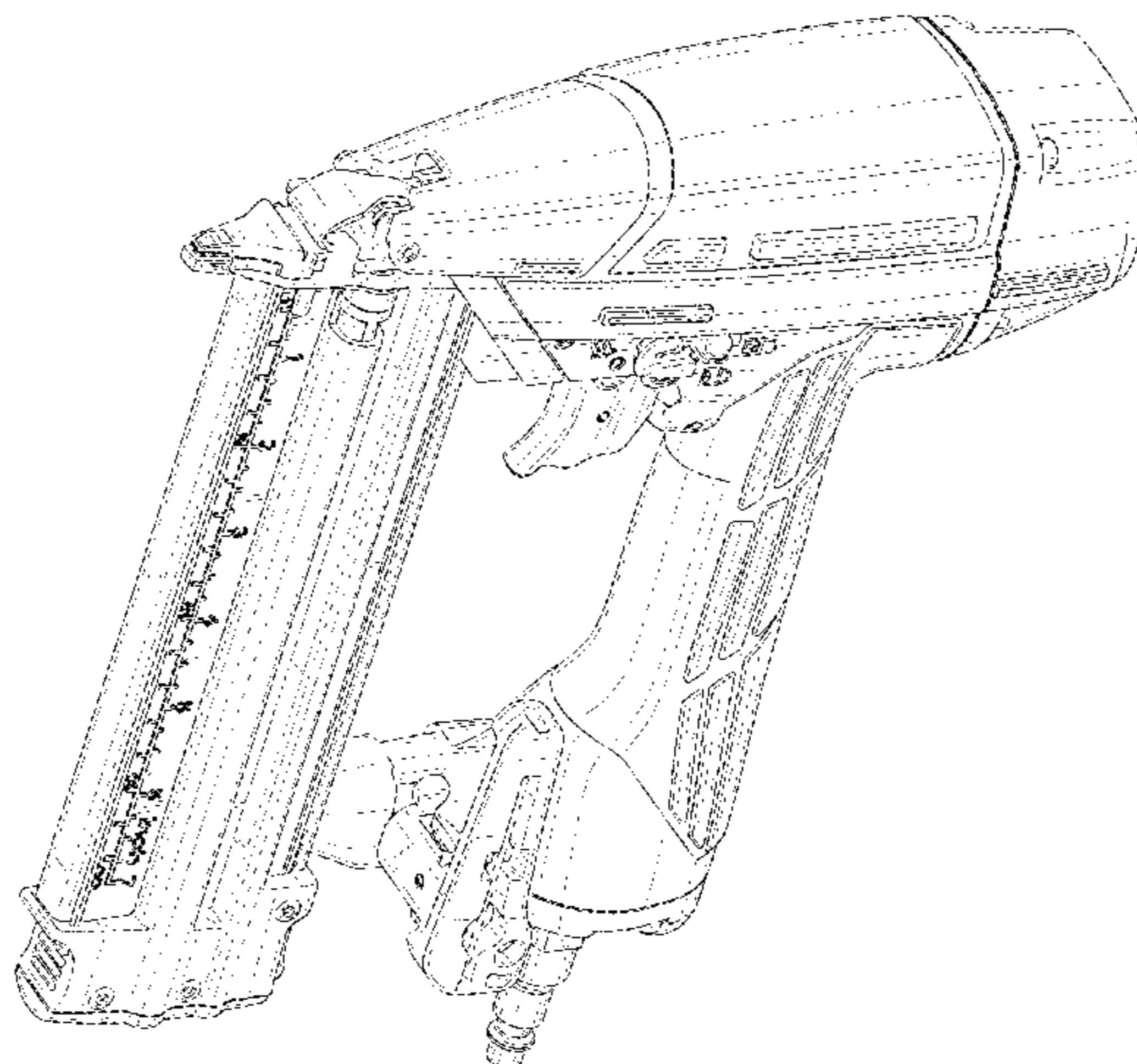
The ornamental design for a pneumatic nailer, as shown and described.

**DESCRIPTION**

FIG. 1 is a perspective view of a pneumatic nailer showing my new design;  
FIG. 2 is a front view thereof;  
FIG. 3 is a rear view thereof;  
FIG. 4 is a right side view thereof;  
FIG. 5 is a left side view thereof;  
FIG. 6 is a top view thereof; and,  
FIG. 7 is a bottom view thereof.

The broken lines shown in the drawings illustrate portions of the pneumatic nailer that form no part of the claimed design.

**1 Claim, 7 Drawing Sheets**



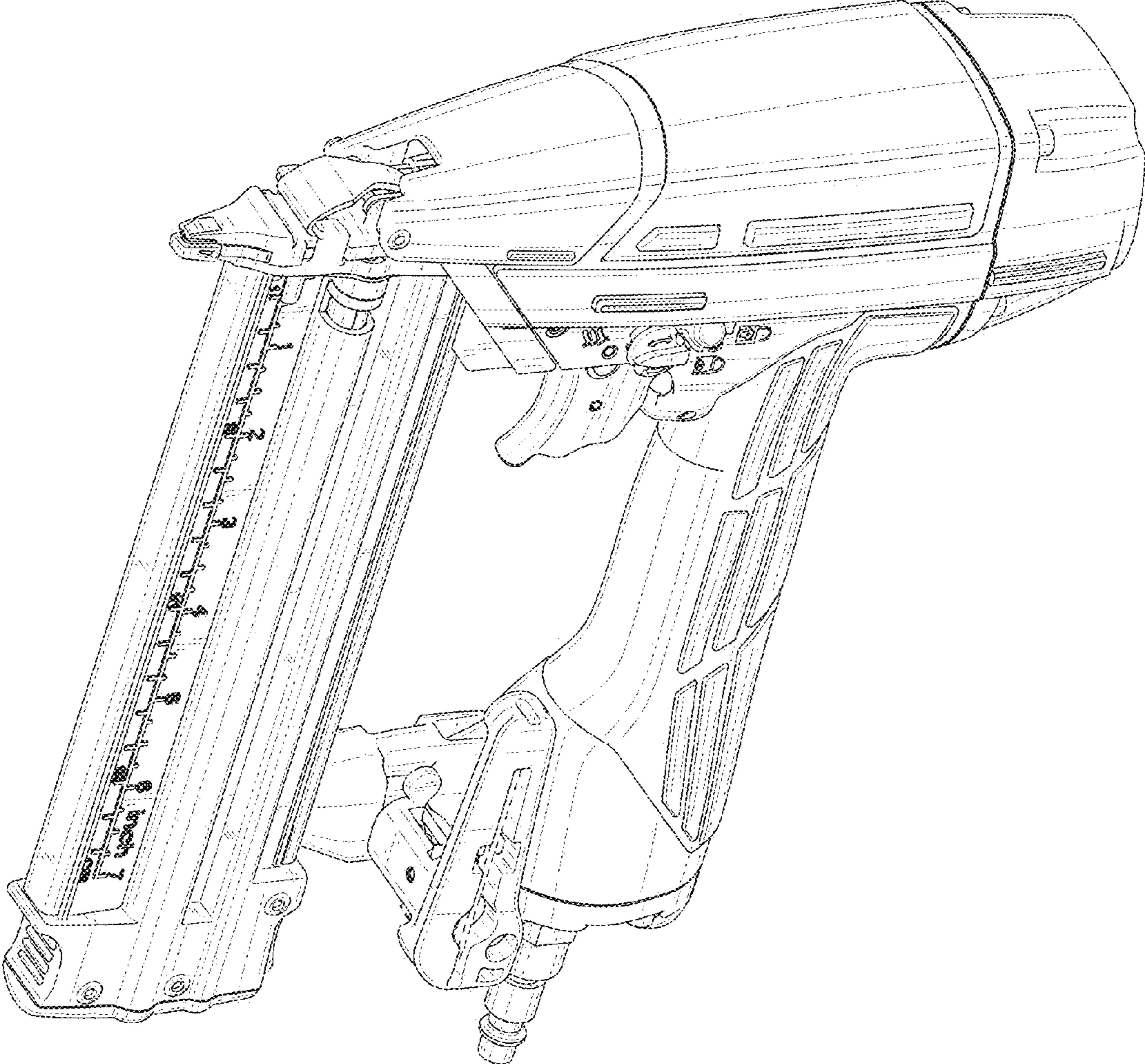


FIG. 1

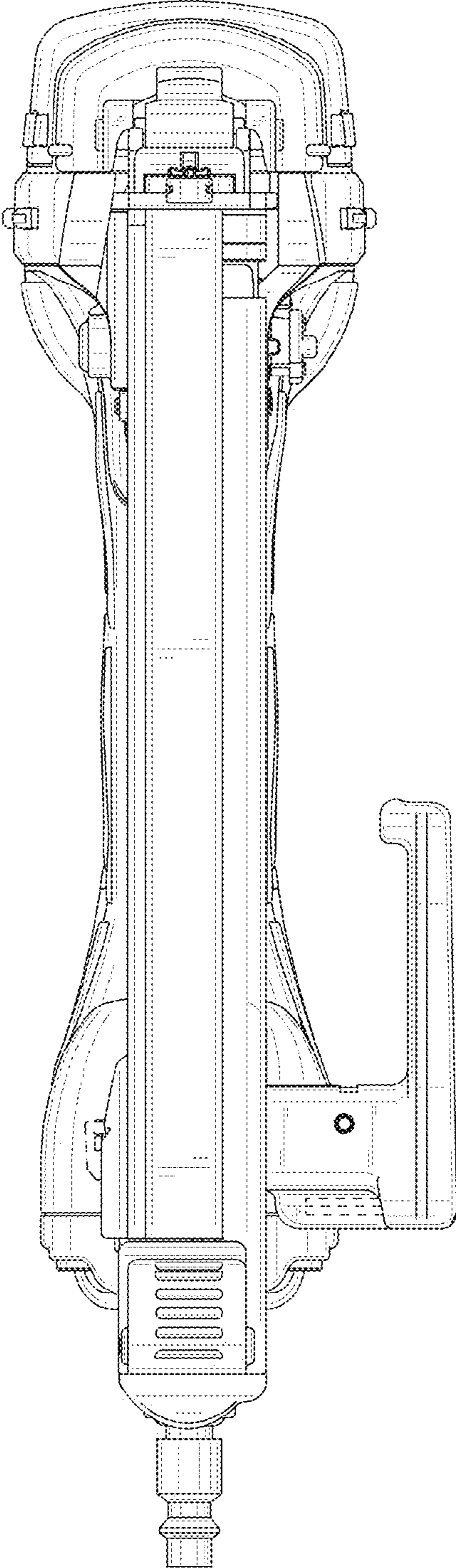


FIG. 2

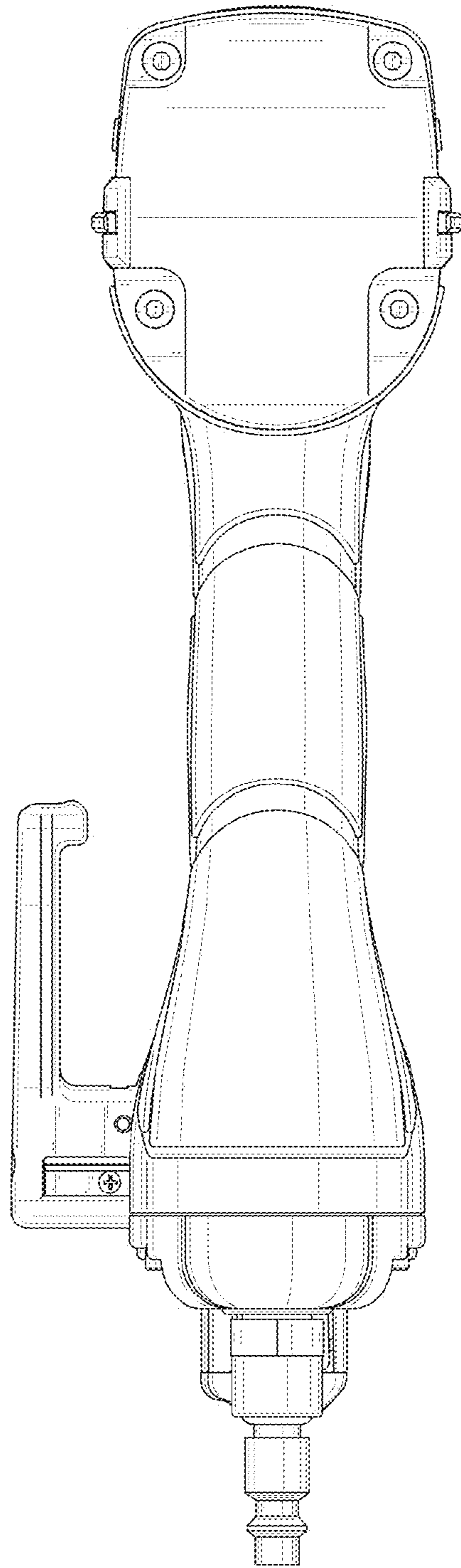


FIG. 3

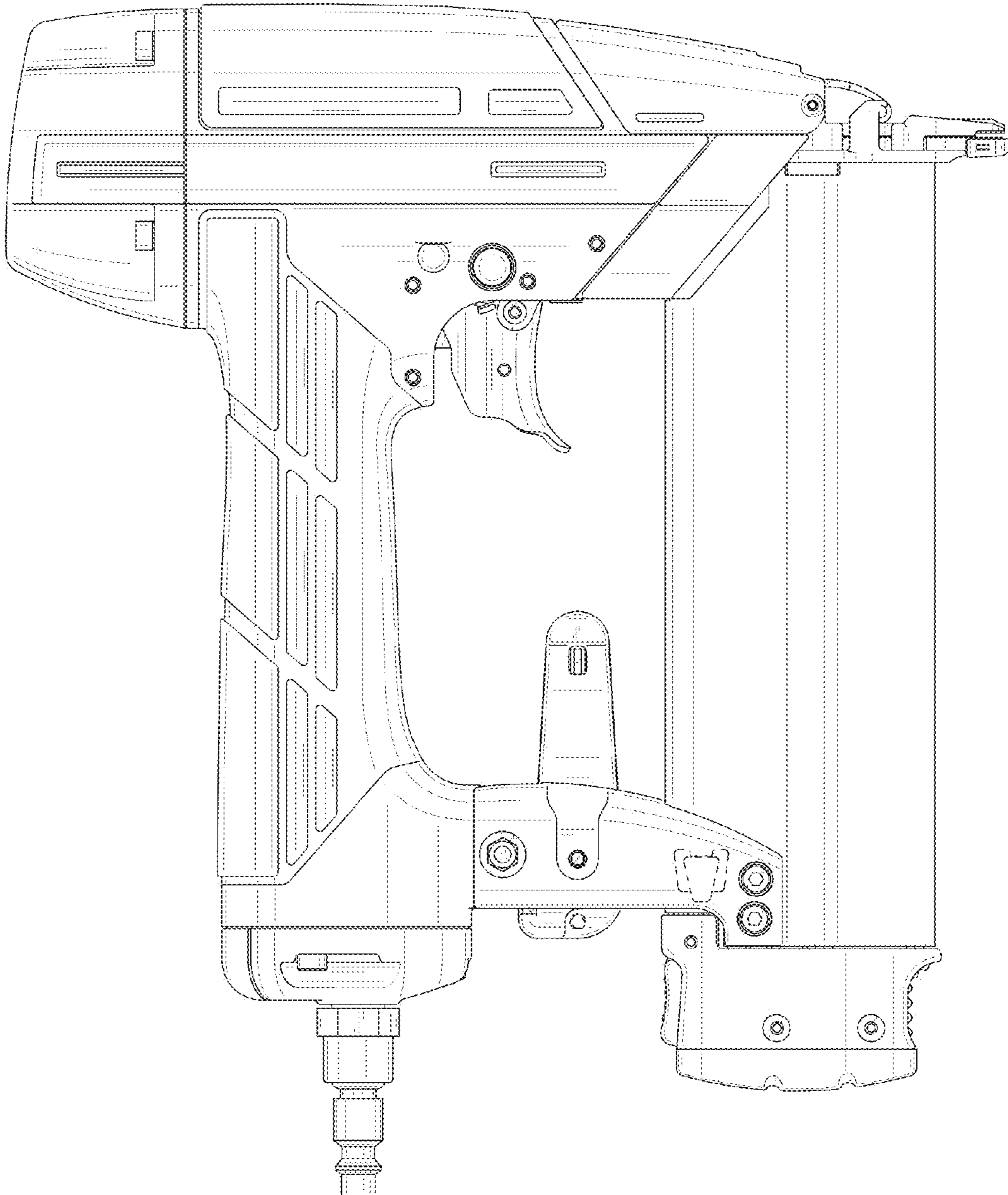


FIG. 4

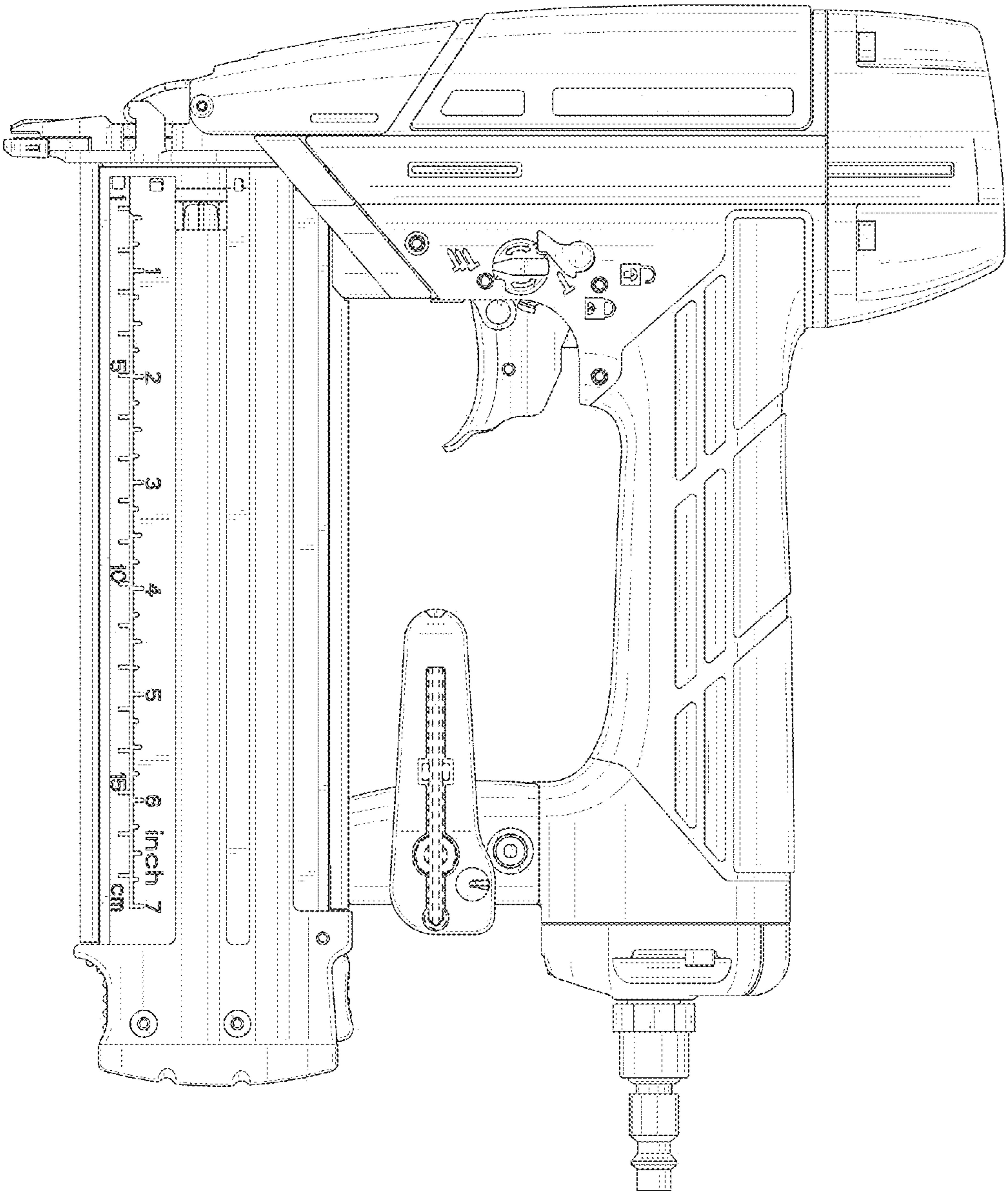


FIG. 5

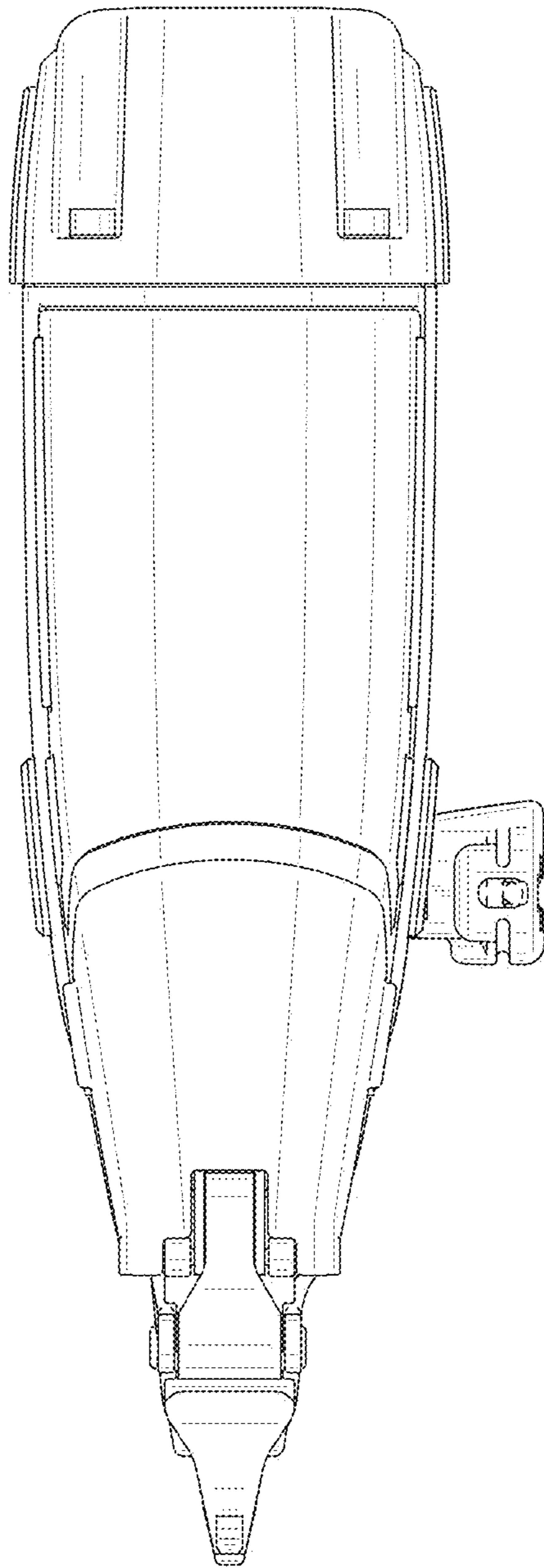


FIG. 6

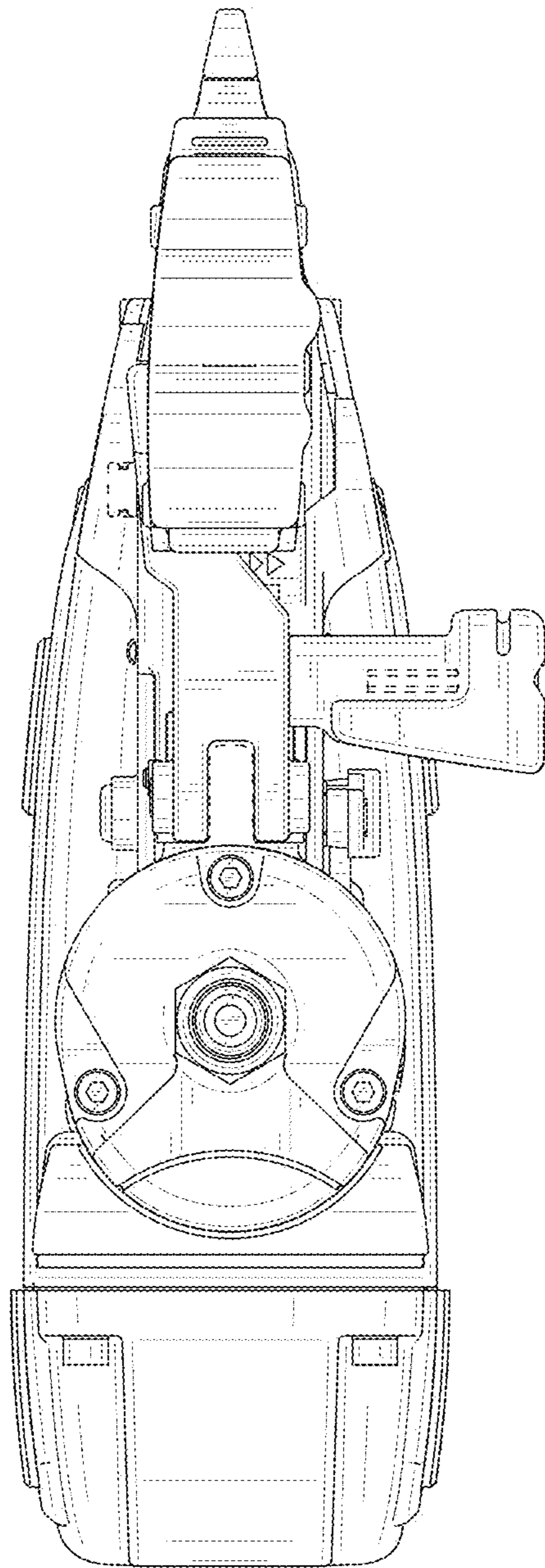


FIG. 7