



US00D717624S

(12) **United States Design Patent**
Wenchel

(10) **Patent No.:** **US D717,624 S**

(45) **Date of Patent:** **** Nov. 18, 2014**

(54) **LAMINATE TRIMMER**
(71) Applicant: **Black & Decker Inc.**, Newark, DE (US)
(72) Inventor: **Lauren M. Wenchel**, Parkville, MD (US)

(73) Assignee: **Black & Decker Inc.**, Newark, DE (US)

(**) Term: **14 Years**

(21) Appl. No.: **29/489,037**

(22) Filed: **Apr. 25, 2014**

(51) **LOC (10) Cl.** **08-01**

(52) **U.S. Cl.**
USPC **D8/61; D8/67**

(58) **Field of Classification Search**
CPC B27C 5/10; B29C 2059/02; B27D 5/006;
B23B 45/00; E04F 2019/00; B27G 13/00
USPC D8/61, 67, 70, 107; 409/182, 180, 134,
409/132, 131; 144/48.6, 252.1, 154.5,
144/136.95

See application file for complete search history.

(56) **References Cited**

U.S. PATENT DOCUMENTS

D207,384 S *	4/1967	Burrows et al.	D8/67
D283,590 S *	4/1986	Ibaraki	D8/62
4,827,996 A *	5/1989	Cotton et al.	144/154.5
5,833,409 A *	11/1998	Giacometti et al.	409/182
6,261,036 B1 *	7/2001	Bosten et al.	409/182
D470,377 S *	2/2003	Lopano	D8/67
D470,736 S *	2/2003	Lopano	D8/67

D473,772 S *	4/2003	Lopano	D8/67
6,779,954 B2 *	8/2004	Tomayko	409/182
D510,246 S *	10/2005	Waldron	D8/67
D511,079 S *	11/2005	Ozawa et al.	D8/67
D531,870 S *	11/2006	Andriolo	D8/67
D531,871 S *	11/2006	Etter et al.	D8/67
D546,654 S *	7/2007	Etter et al.	D8/67
D553,930 S *	10/2007	Robson	D8/67
D567,613 S *	4/2008	Steinfels	D8/67
D584,590 S *	1/2009	Etter et al.	D8/67
D587,977 S *	3/2009	Waldron	D8/67
D588,428 S *	3/2009	Etter et al.	D8/67
D591,575 S *	5/2009	Yamamoto	D8/67
D601,396 S *	10/2009	Yamamoto	D8/67
D640,107 S *	6/2011	Okuda	D8/61

* cited by examiner

Primary Examiner — Austin Murphy

(74) *Attorney, Agent, or Firm* — Rhonda L. Barton

(57) **CLAIM**

The ornamental design for a laminate trimmer, as shown and described.

DESCRIPTION

FIG. 1 is a right perspective view of a laminate trimmer showing my new design;

FIG. 2 is a front view thereof;

FIG. 3 is a rear view thereof;

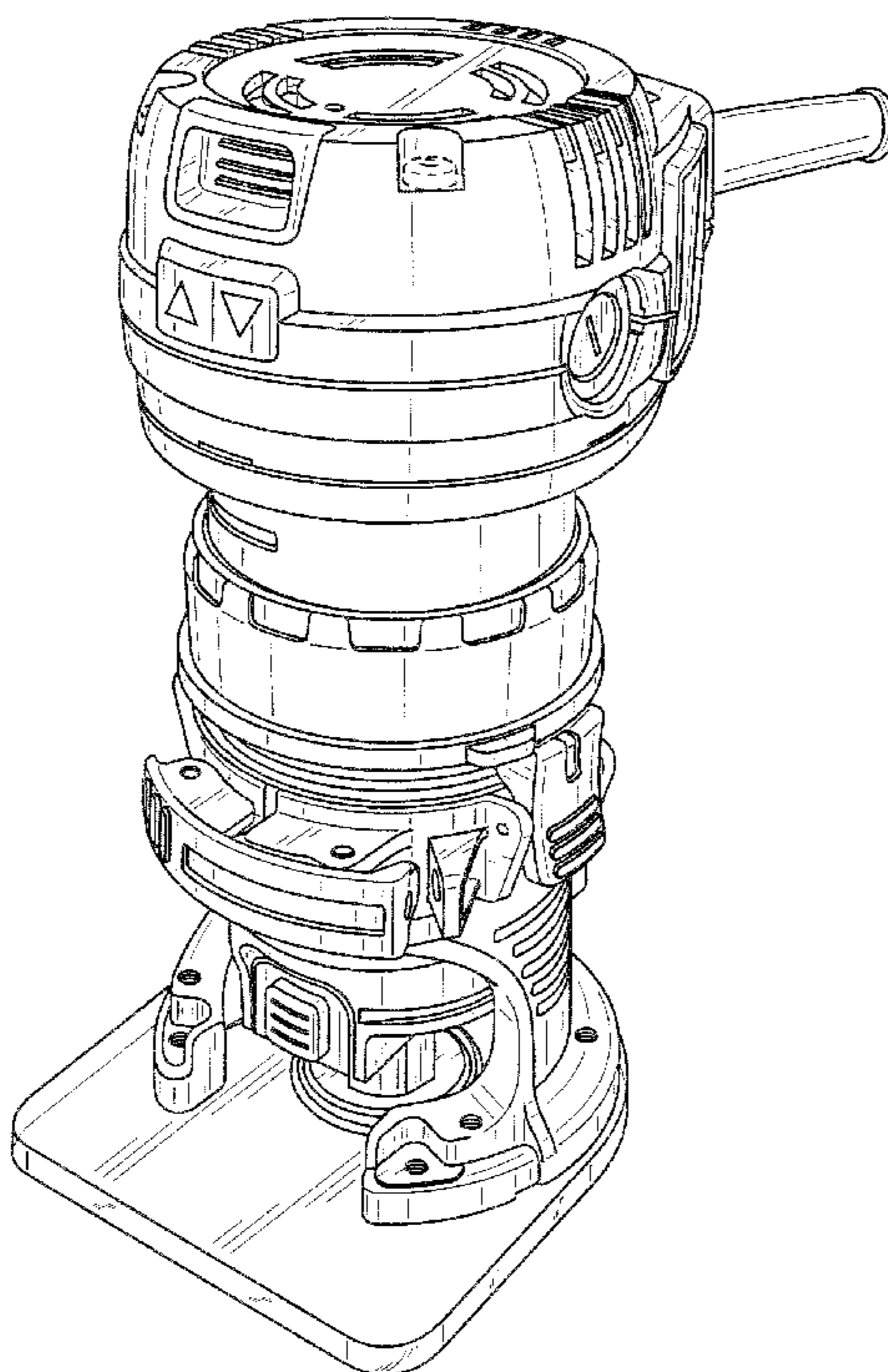
FIG. 4 is a left side view thereof;

FIG. 5 is a right side view thereof;

FIG. 6 is a top view thereof; and,

FIG. 7 is a bottom view thereof.

1 Claim, 7 Drawing Sheets



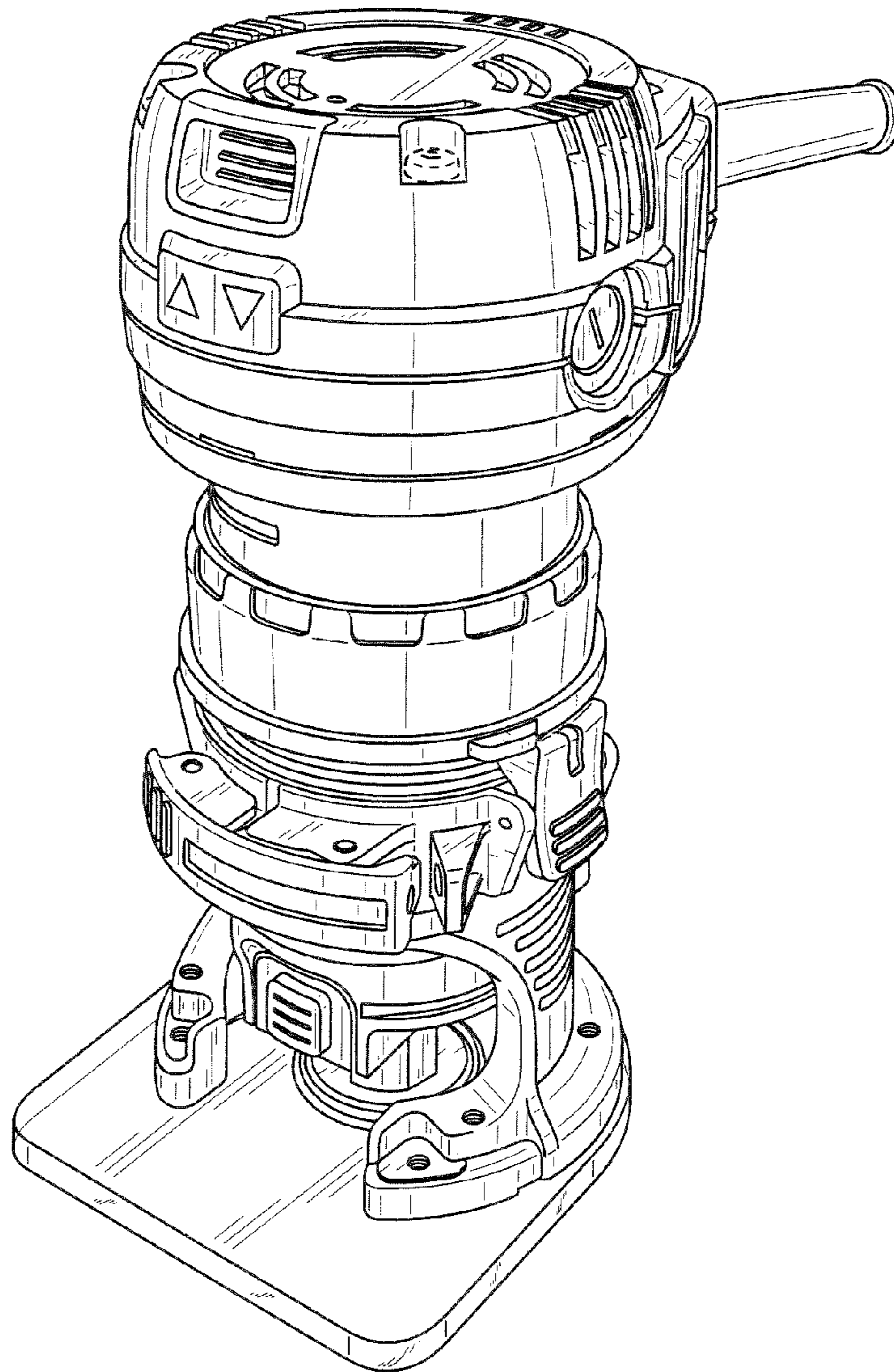


FIG. 1

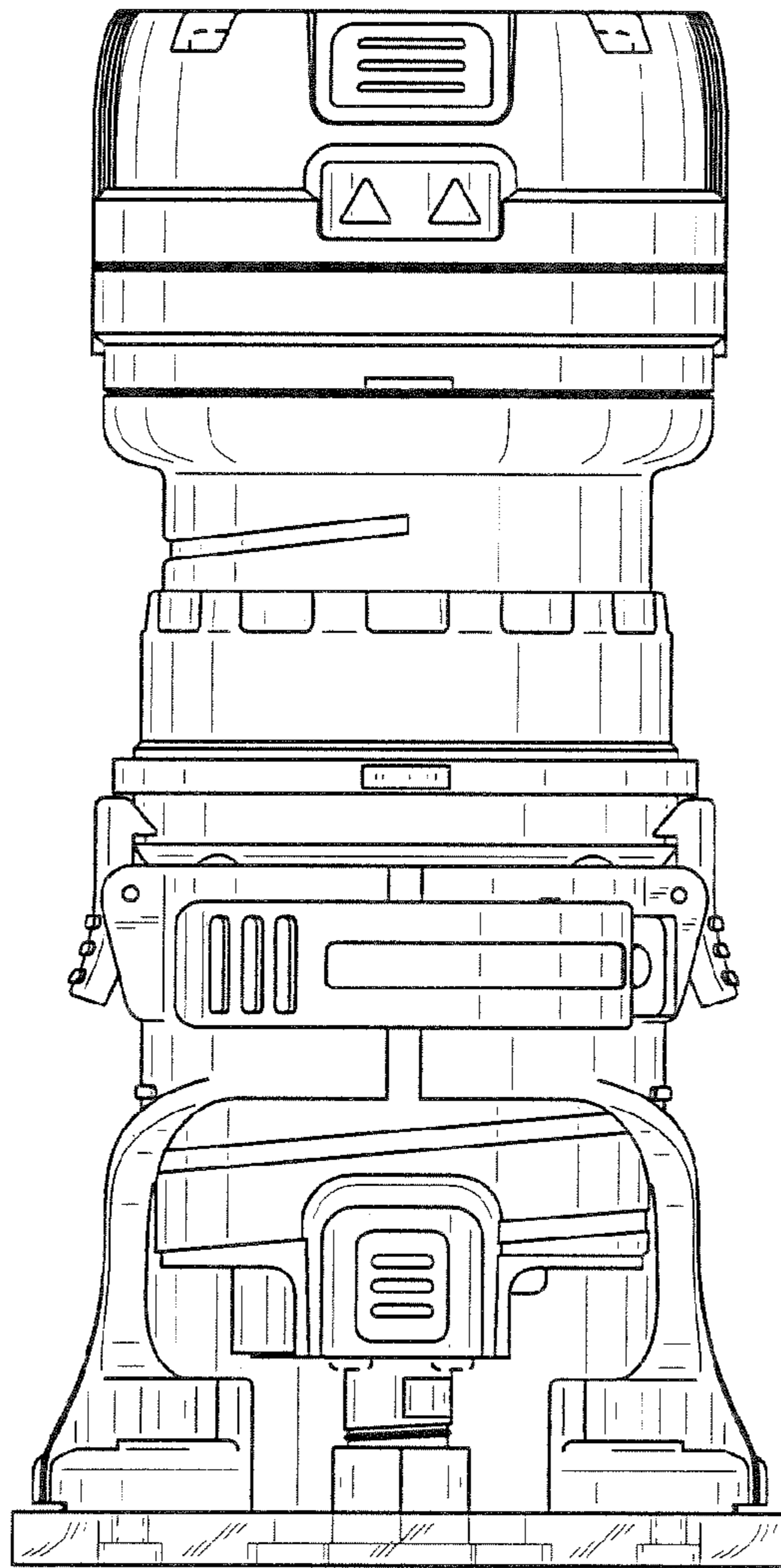


FIG. 2

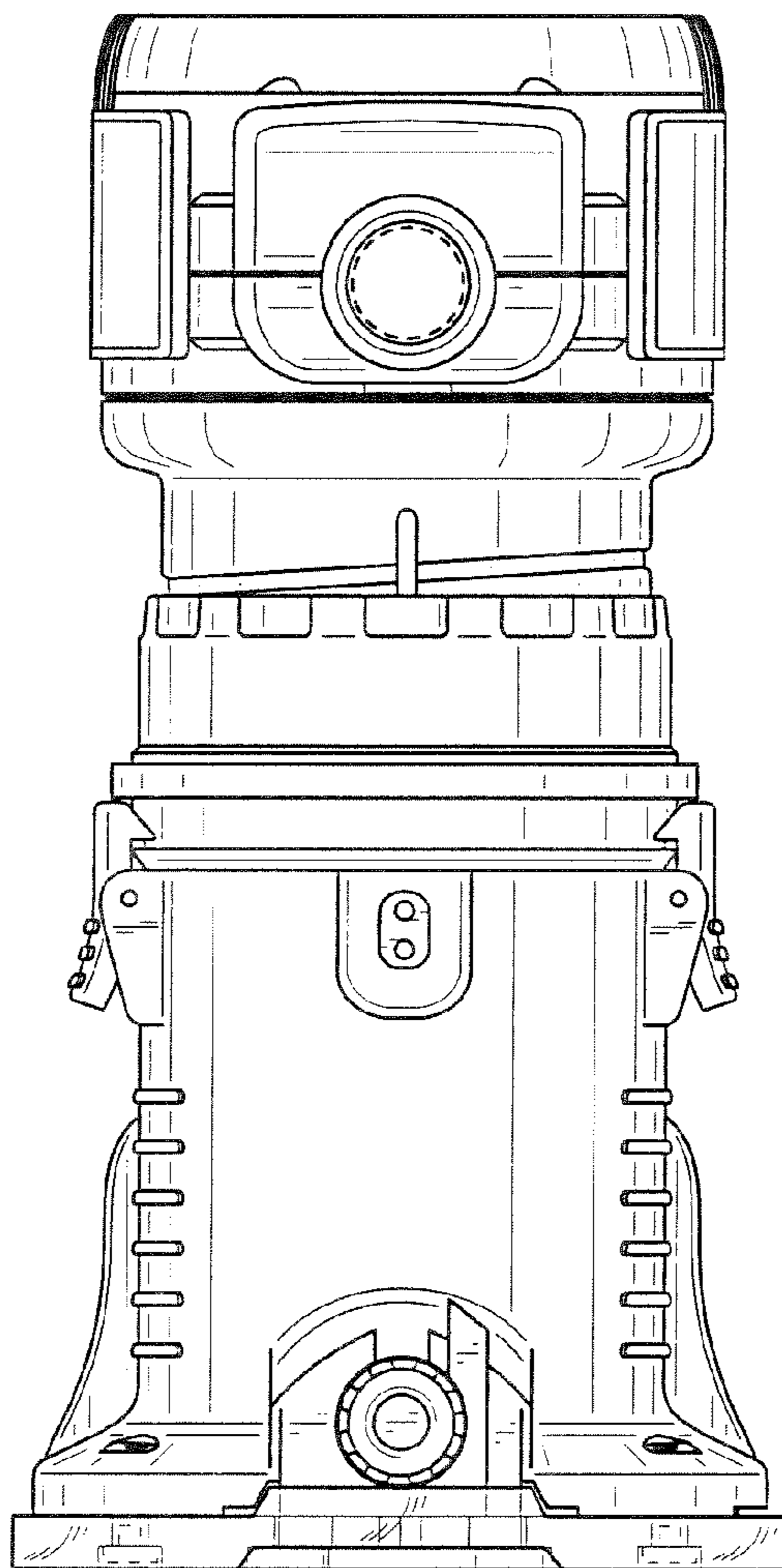


FIG. 3

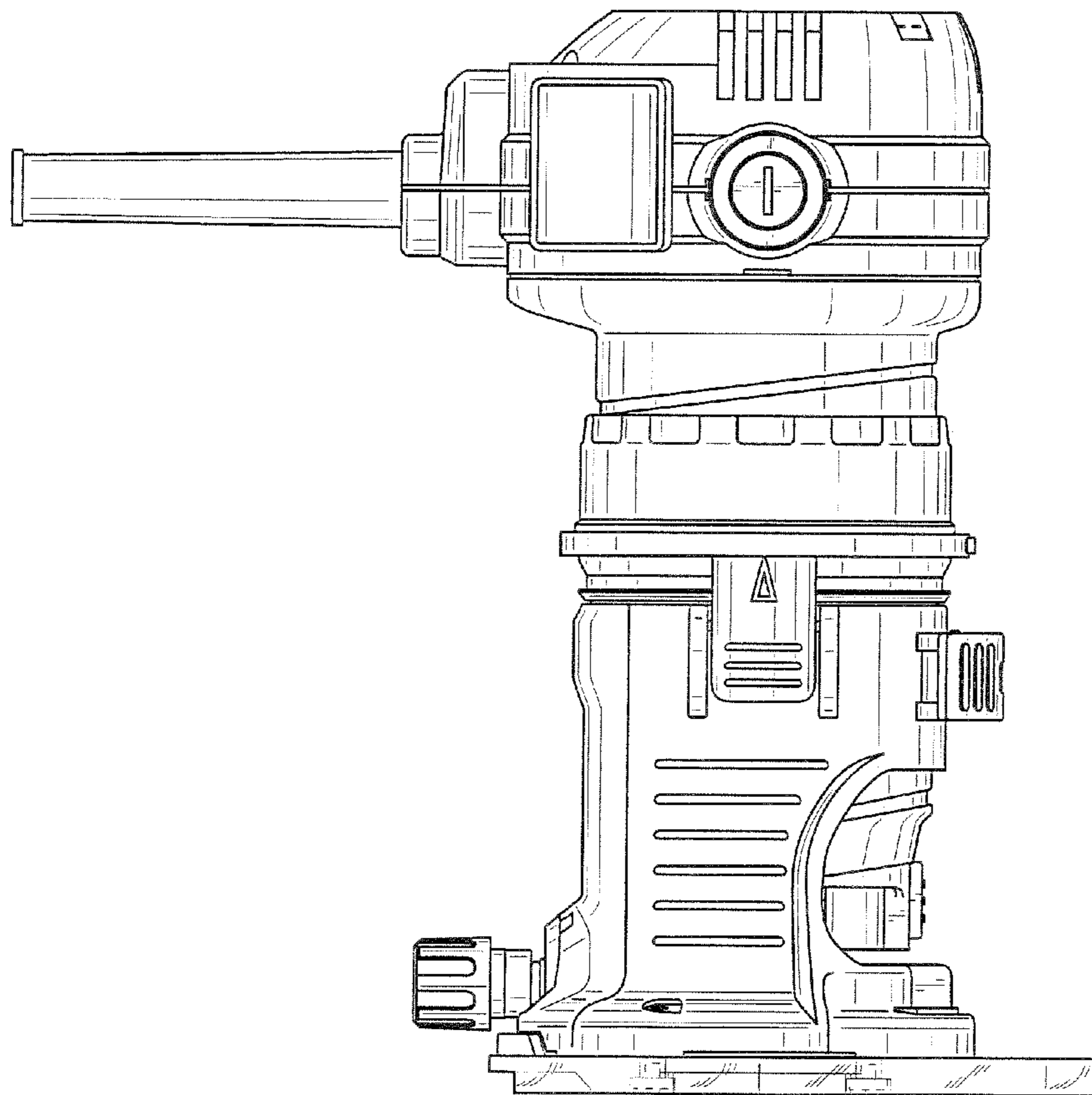


FIG. 4

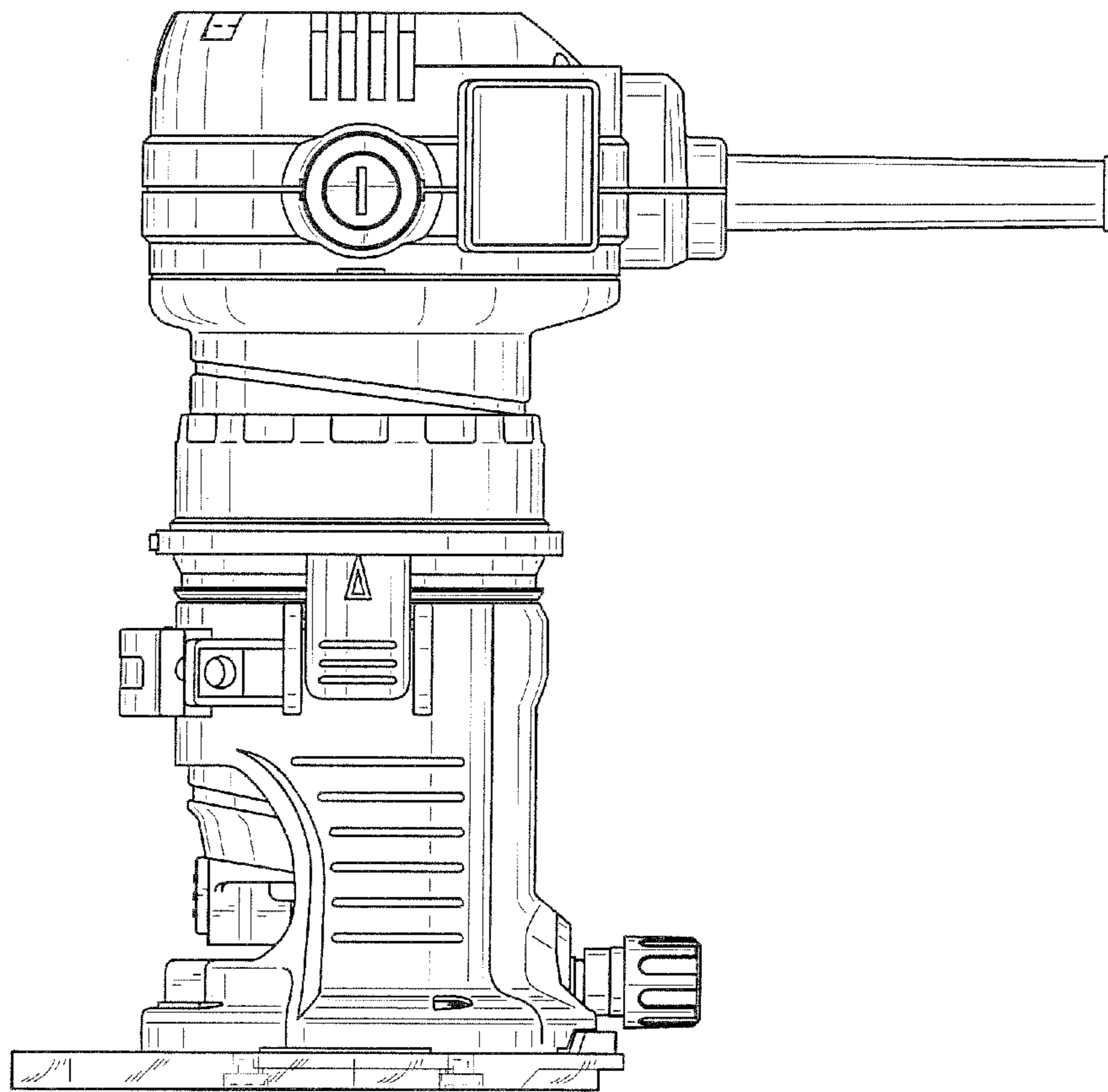


FIG. 5

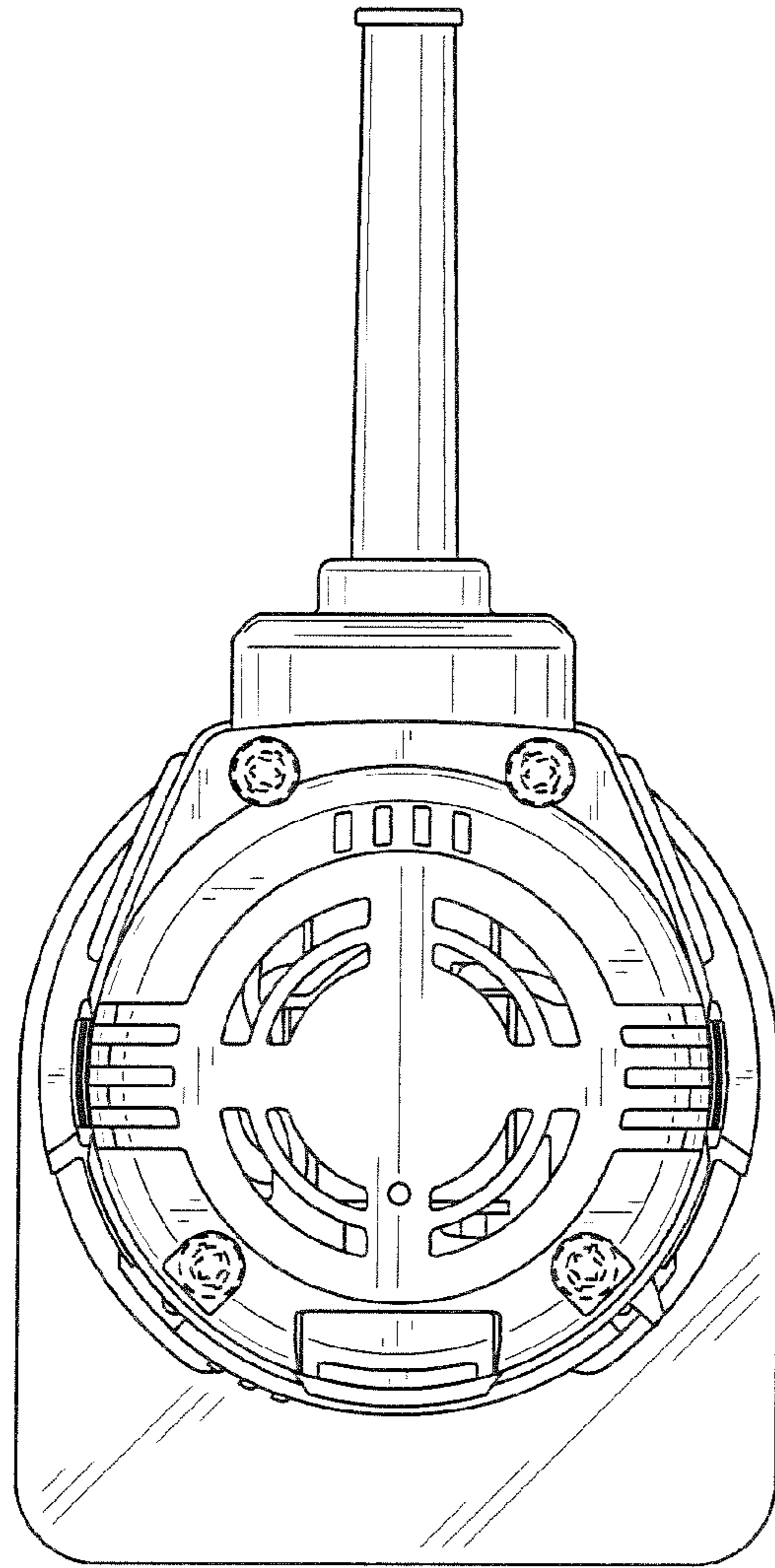


FIG. 6

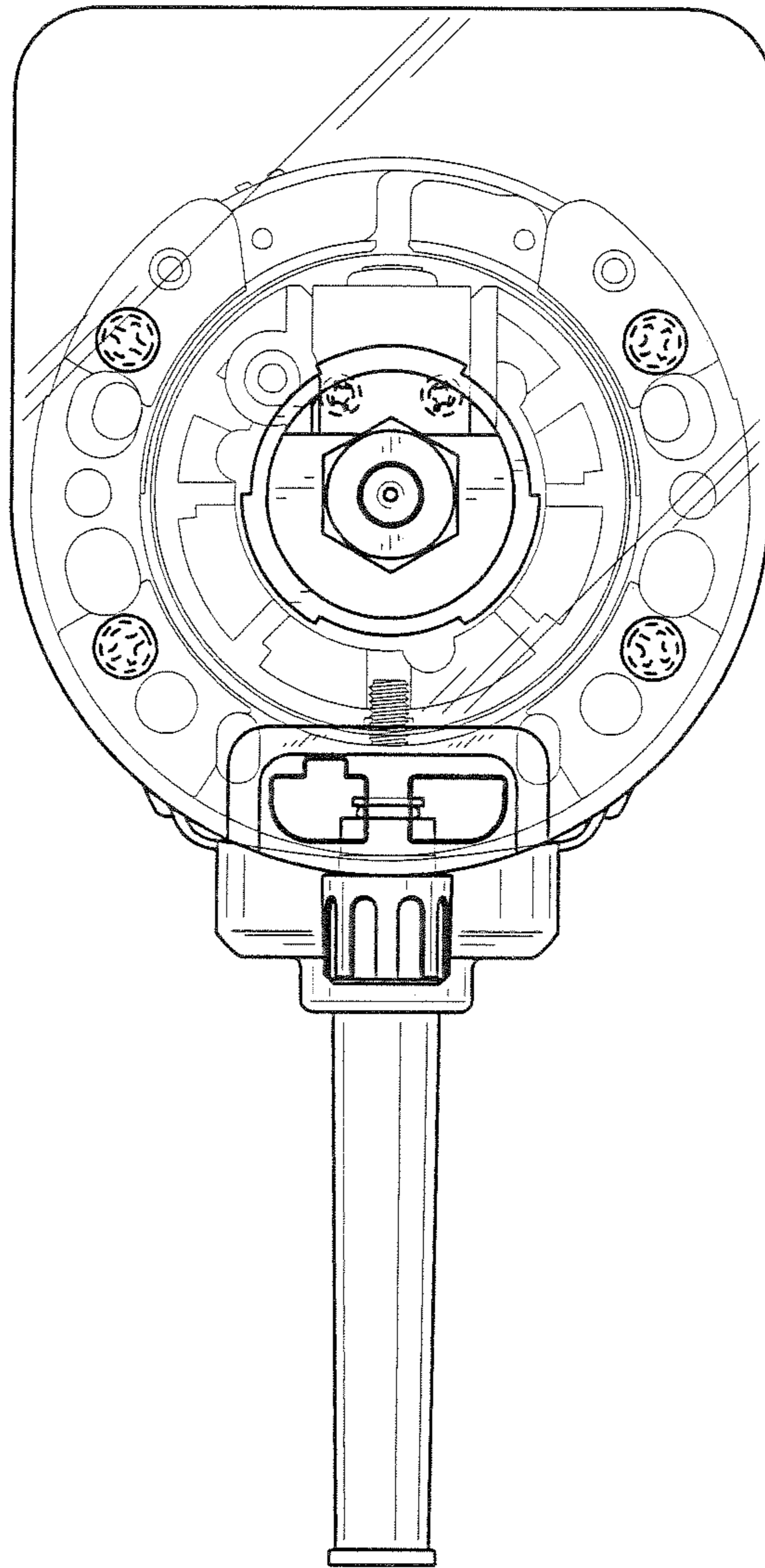


FIG. 7