



US00D717622S

(12) **United States Design Patent**
Bradley et al.

(10) **Patent No.:** **US D717,622 S**

(45) **Date of Patent:** **** Nov. 18, 2014**

(54) **LID GRIPPERS**

(71) Applicants: **Theodore Bradley**, North Ridgeville, OH (US); **James A. Kovach**, Parma, OH (US); **Jeffrey A. White**, Avon Lake, OH (US)

(72) Inventors: **Theodore Bradley**, North Ridgeville, OH (US); **James A. Kovach**, Parma, OH (US); **Jeffrey A. White**, Avon Lake, OH (US)

(73) Assignee: **Superior Tool Corporation**, Cleveland, OH (US)

(**) Term: **14 Years**

(21) Appl. No.: **29/464,150**

(22) Filed: **Aug. 13, 2013**

(51) **LOC (10) Cl.** **07-99**

(52) **U.S. Cl.**
USPC **D8/33**

(58) **Field of Classification Search**
CPC B67B 7/18; B67B 7/44; B67B 7/14
USPC D8/18, 33-43, 88, 89, 105; 7/113,
7/151-156; 81/3.07, 3.09, 3.2, 3.27,
81/3.29, 3.31, 3.35, 3.37, 3.4, 3.48, 3.49,
81/3.55

See application file for complete search history.

(56) **References Cited**

U.S. PATENT DOCUMENTS

1,374,032	A *	4/1921	Roach	30/430
1,466,118	A *	8/1923	Ciha	81/3.44
1,493,389	A *	5/1924	Rosenfield	81/3.42
1,504,964	A *	8/1924	Newland	81/90.8
2,131,395	A *	9/1938	Arthur	81/3.56
D114,211	S *	4/1939	Francke	D8/39
2,496,262	A *	2/1950	William	81/3.44
2,499,032	A *	2/1950	Niblett	81/3.25
2,599,968	A *	6/1952	Acard	81/3.56
2,778,254	A *	1/1957	Carapellotti	81/3.56

2,779,224	A *	1/1957	Cogburn	81/3.44
2,861,339	A *	11/1958	Michael	30/55
3,913,424	A *	10/1975	Castillo	81/3.44
D281,216	S *	11/1985	Cutliff et al.	D8/26
5,896,886	A *	4/1999	Wendt	137/318
D513,579	S *	1/2006	Barber et al.	D8/105
7,213,283	B2 *	5/2007	Rivera	7/128
D588,885	S *	3/2009	Barber et al.	D8/22
8,695,464	B2 *	4/2014	Herrmann	81/409
2001/0035488	A1 *	11/2001	Cizek	248/692
2008/0083302	A1 *	4/2008	Hood et al.	81/3.44

* cited by examiner

Primary Examiner — Elizabeth Albert

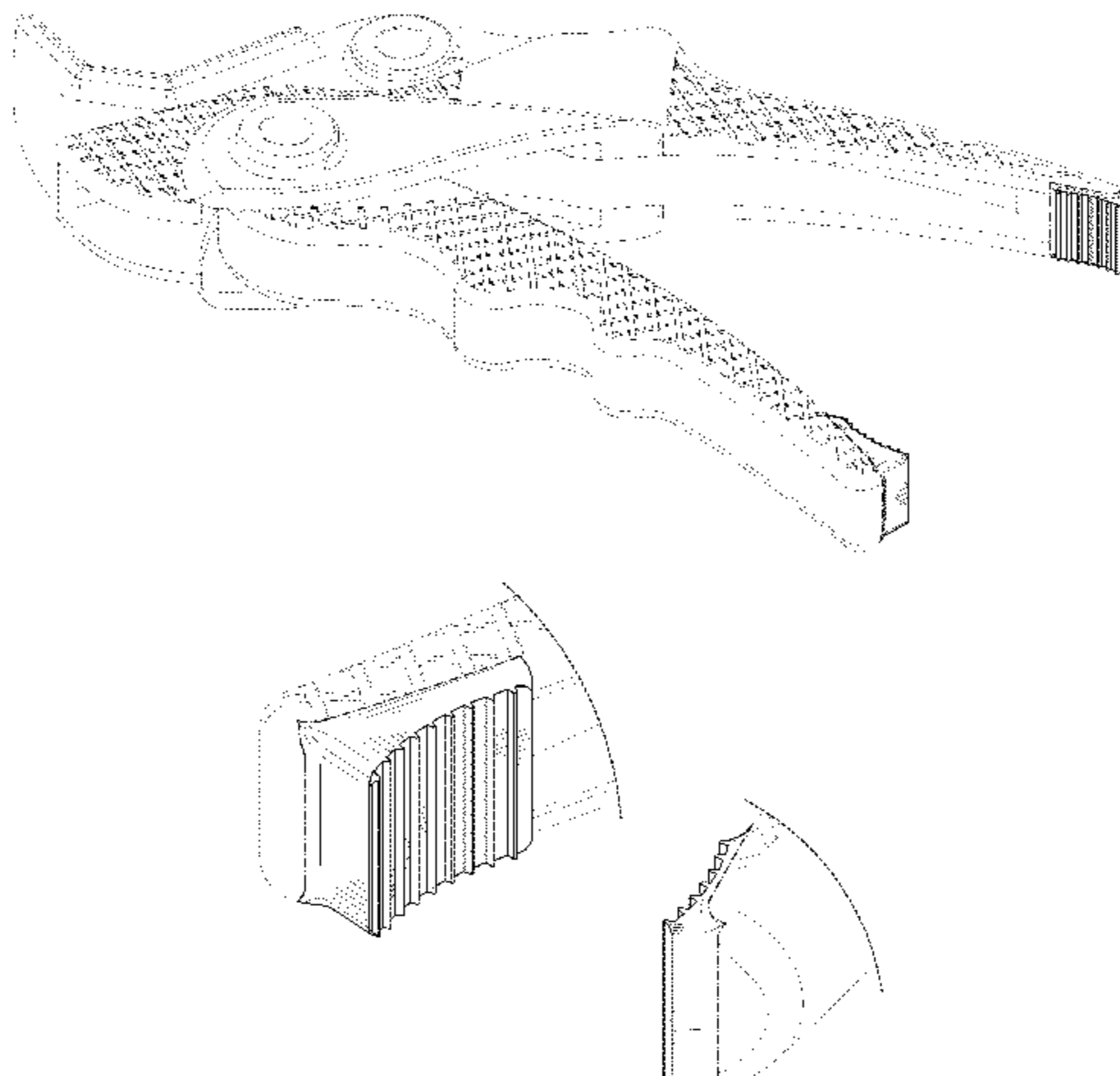
(57) **CLAIM**

The ornamental design for lid grippers, as shown and described.

DESCRIPTION

FIG. 1 is a perspective top view of the lid gripper design shown in the environment of a hand tool;
 FIG. 2 is a perspective left side view of the lid gripper design of FIG. 1;
 FIG. 3 is a cut-away perspective right side view of the lid gripper design of FIG. 1;
 FIG. 4 is a cut-away perspective left side view of the lid gripper design of FIG. 1;
 FIG. 5 is a bottom view of the design of FIG. 1;
 FIG. 6 is a top view of the design of FIG. 1;
 FIG. 7 is a front end view of the design of FIG. 1 in the environment of a hand tool;
 FIG. 8 is a rear end view of the design of FIG. 1 in the environment of a hand tool;
 FIG. 9 is a right side view of the design of FIG. 1 in the environment of a hand tool;
 FIG. 10 is a left side end view of the design of FIG. 1 in the environment of a hand tool; and,
 FIG. 11 is a perspective view showing use of the design in the environment of a hand tool.
 The broken lines are provided solely for illustrative purposes to show environment and form no part of the claimed design.

1 Claim, 8 Drawing Sheets



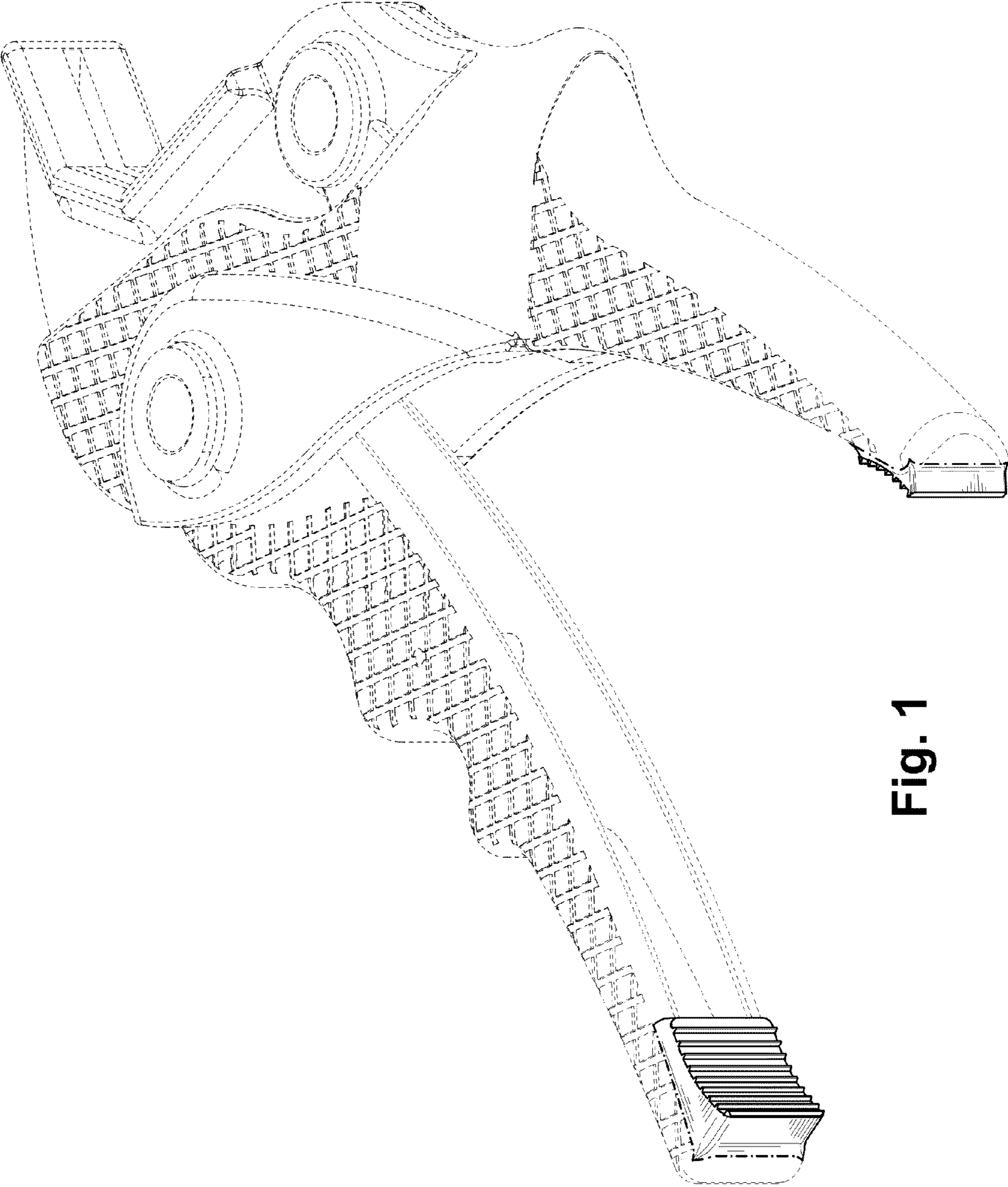


Fig. 1

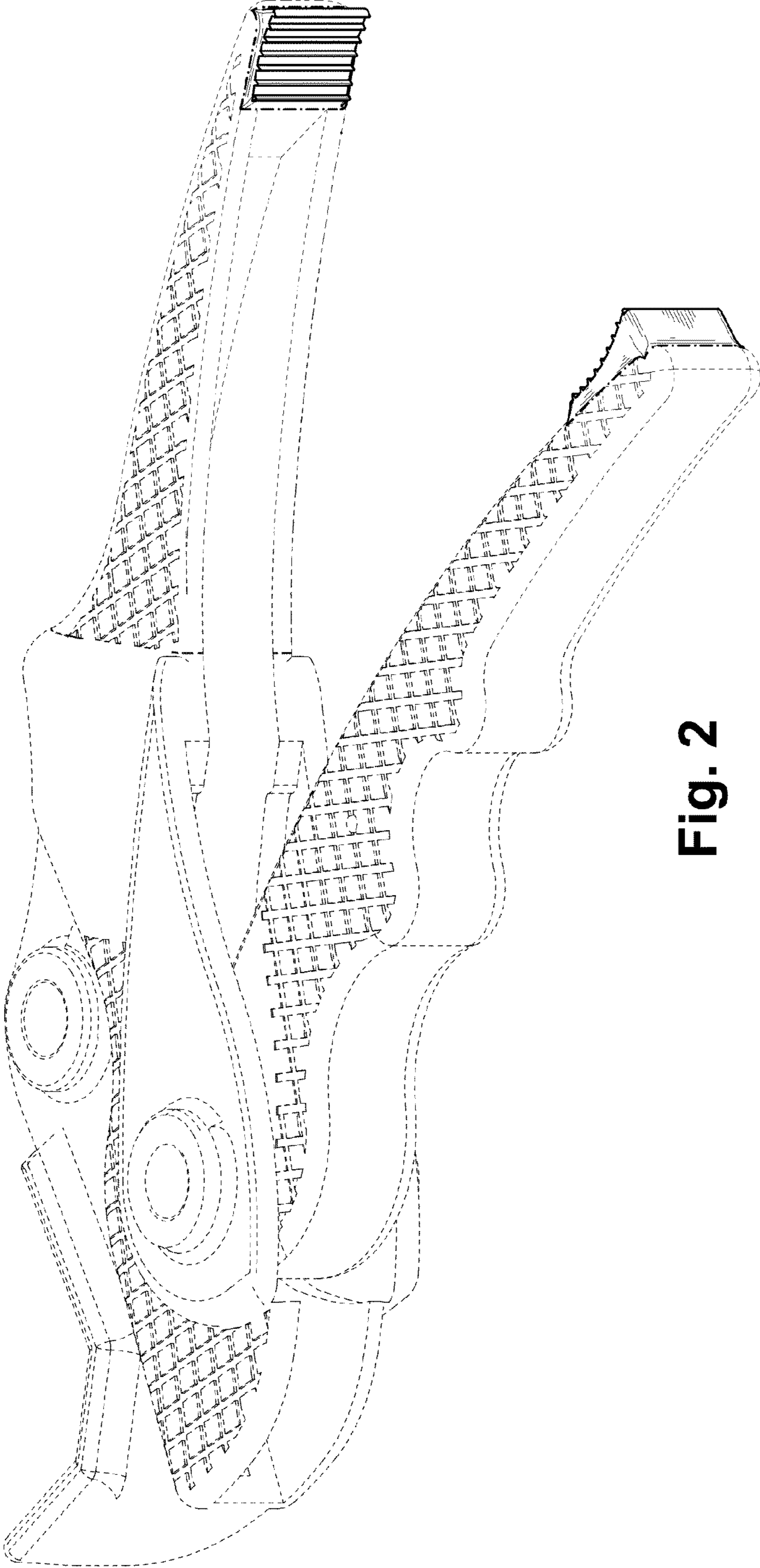


Fig. 2

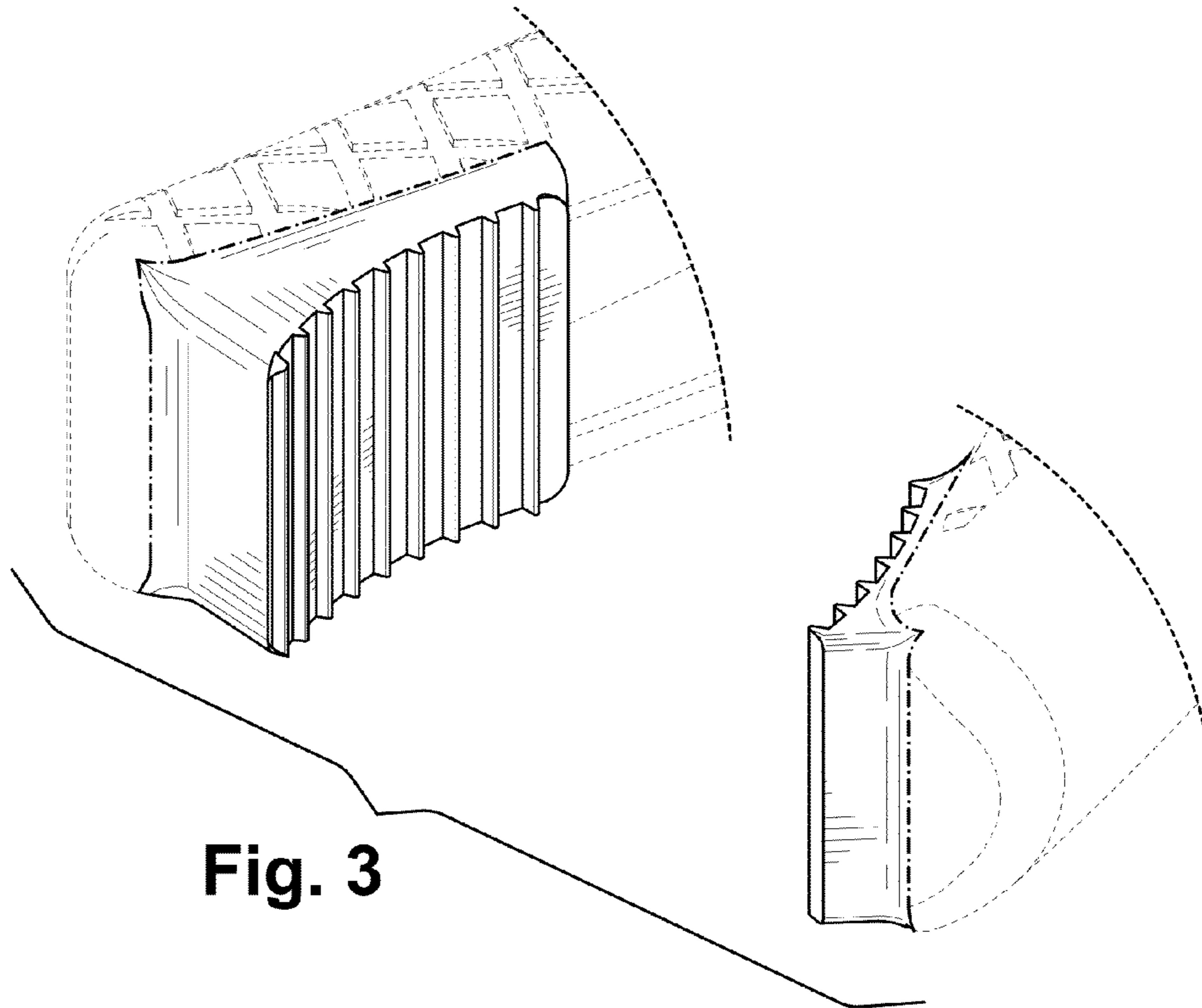


Fig. 3

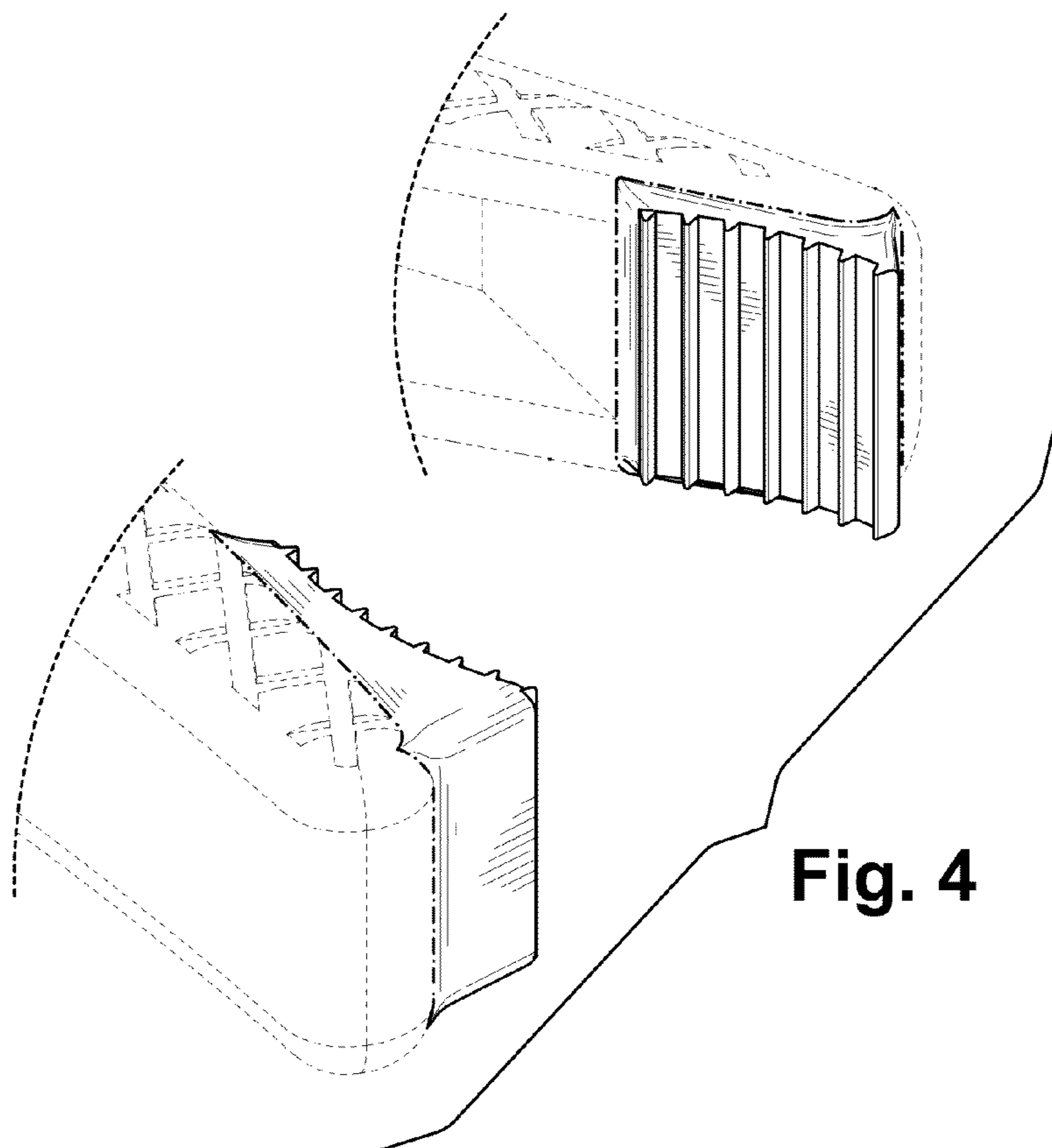


Fig. 4

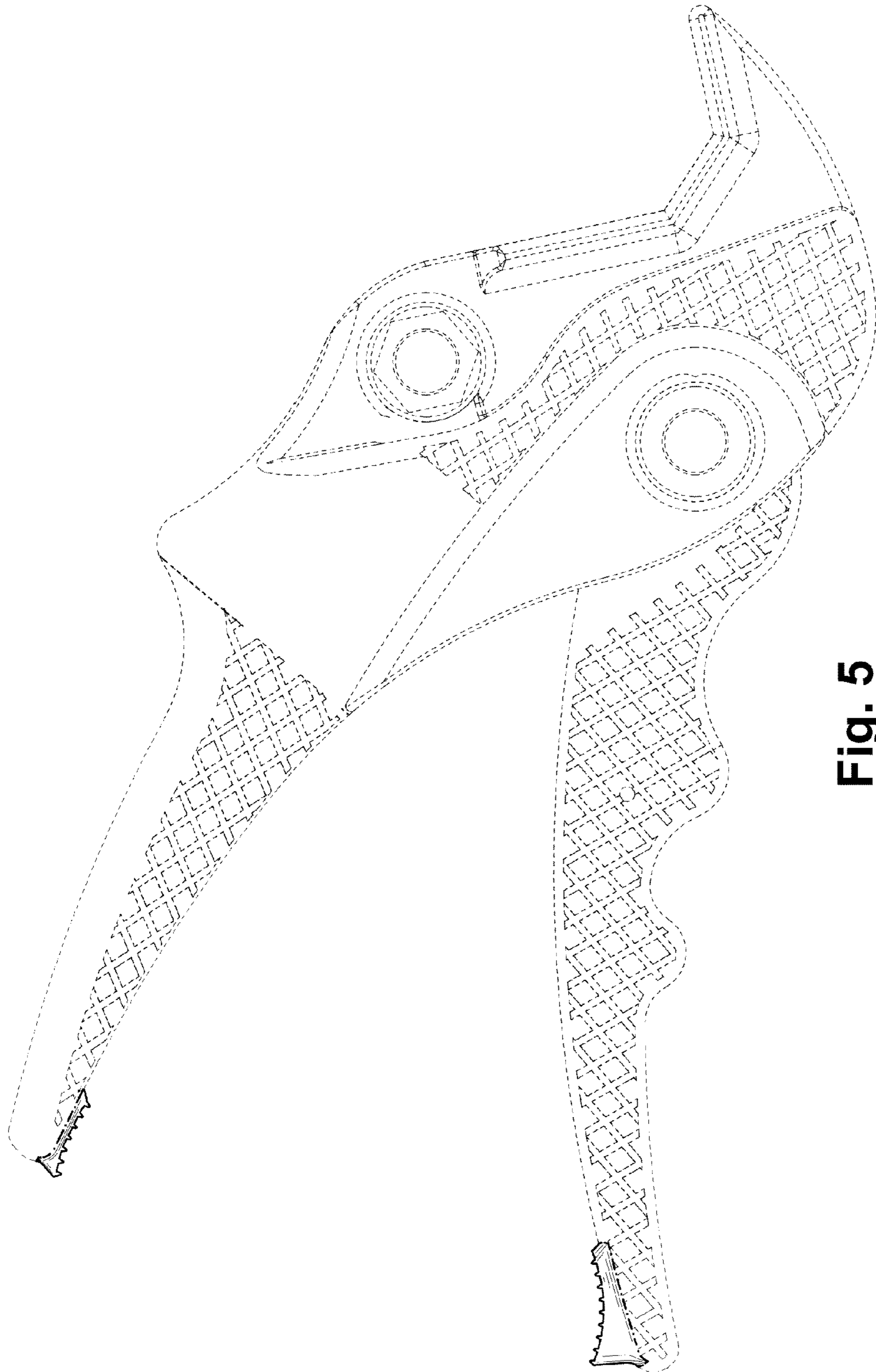


Fig. 5

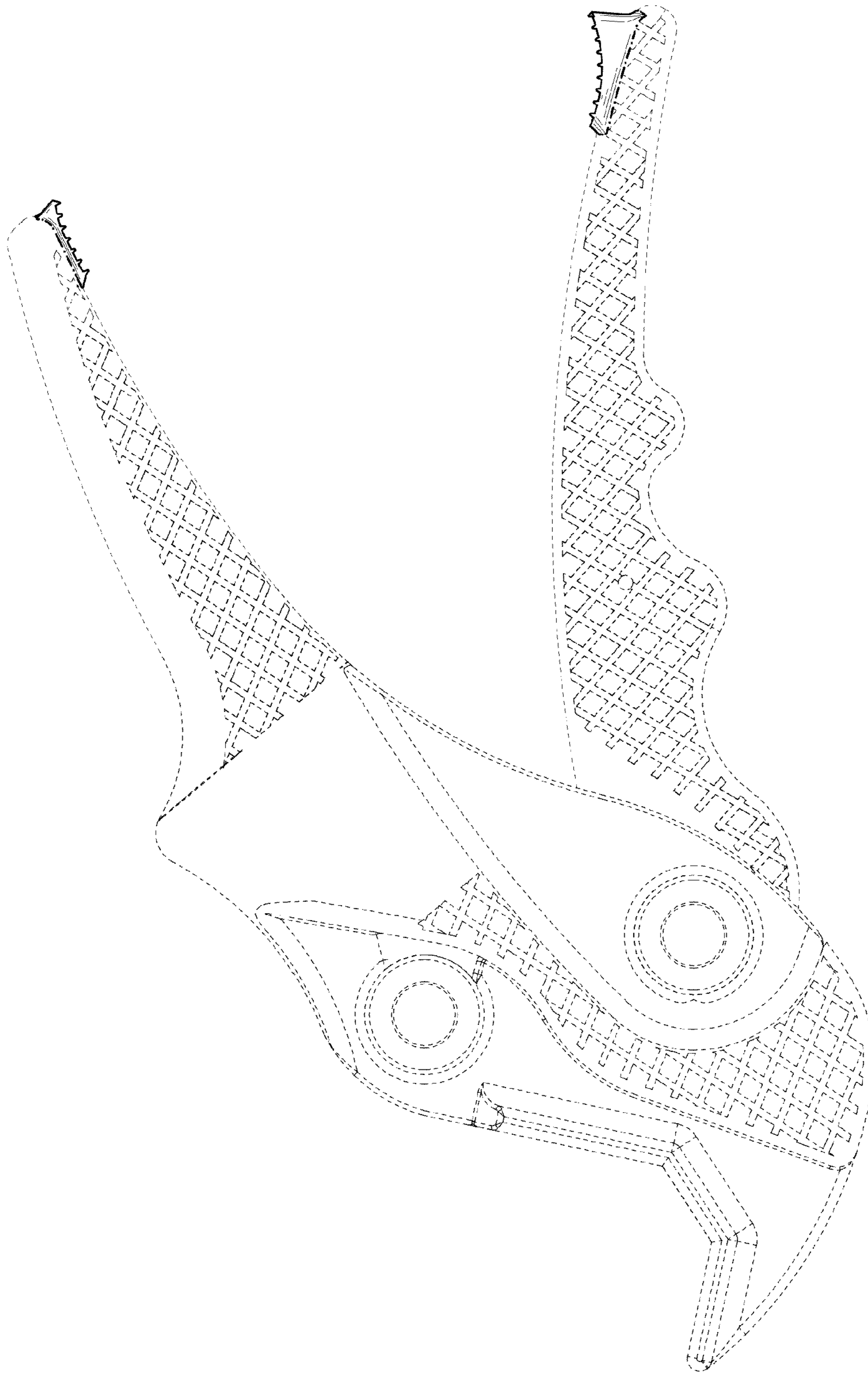


Fig. 6

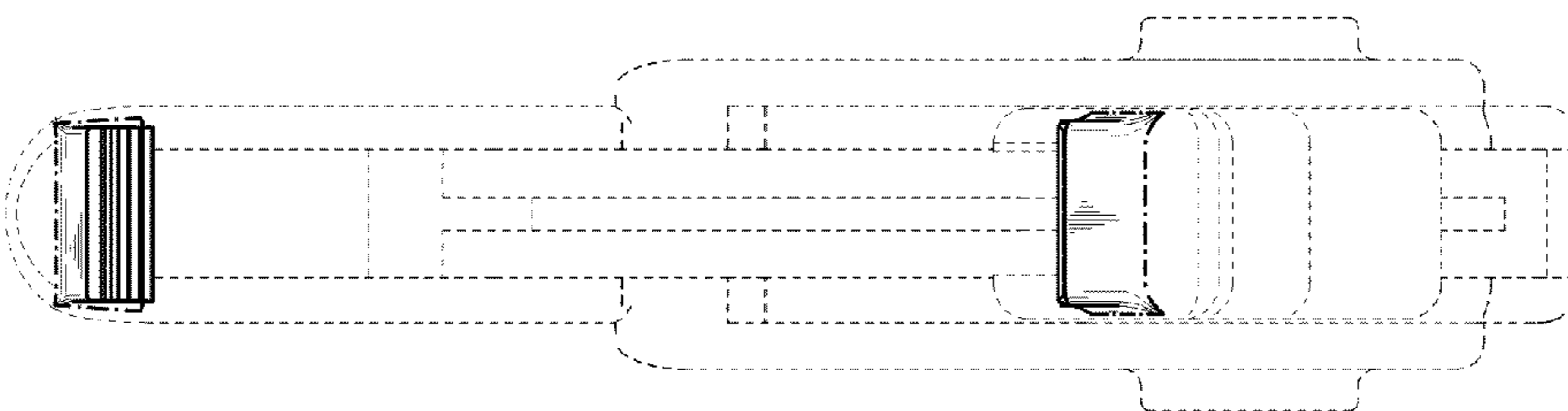


Fig. 8

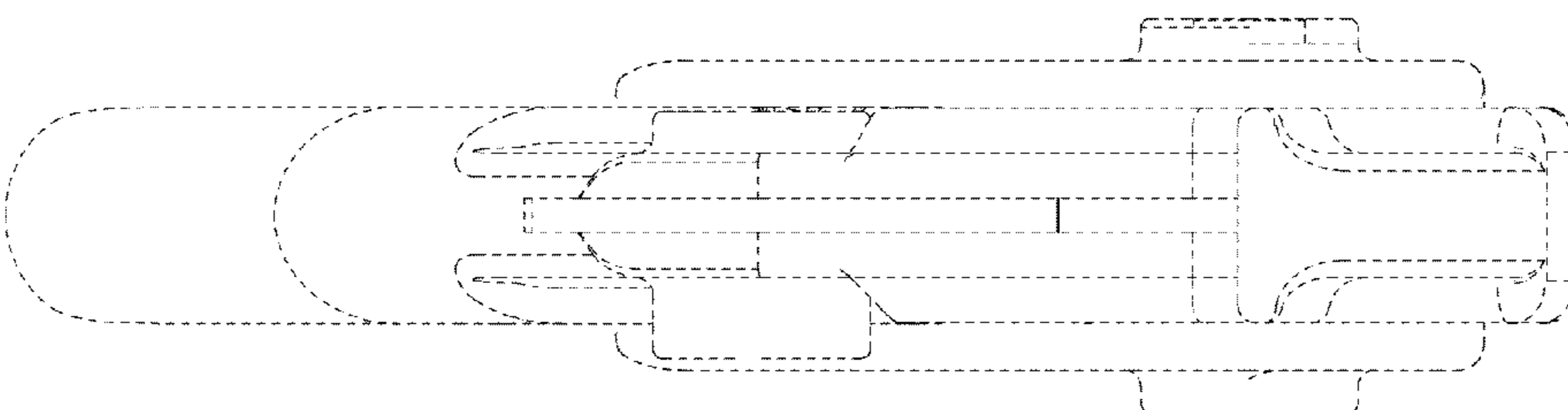


Fig. 7

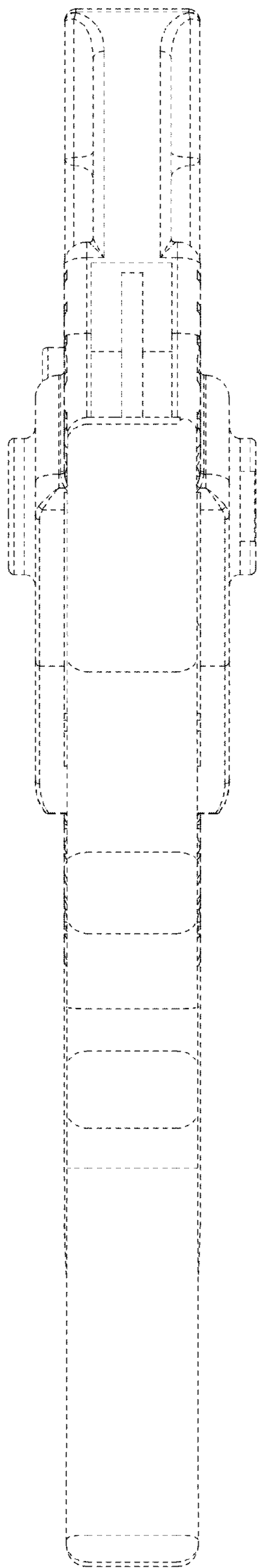


Fig. 9

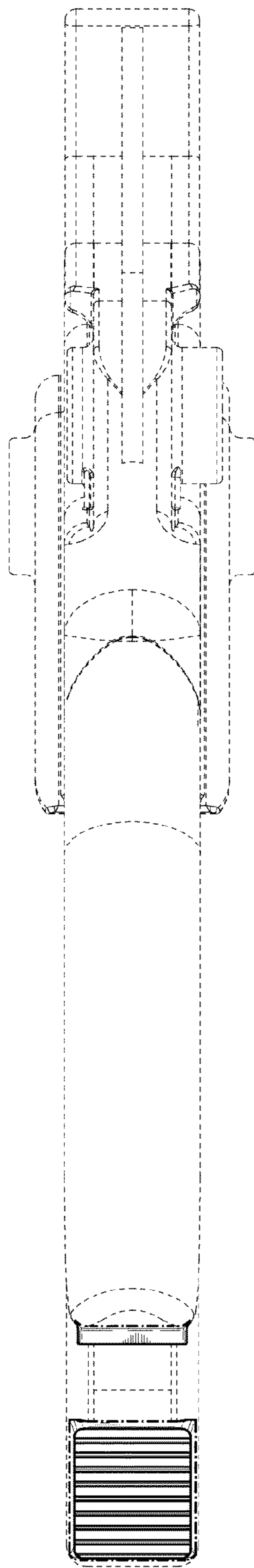


Fig. 10

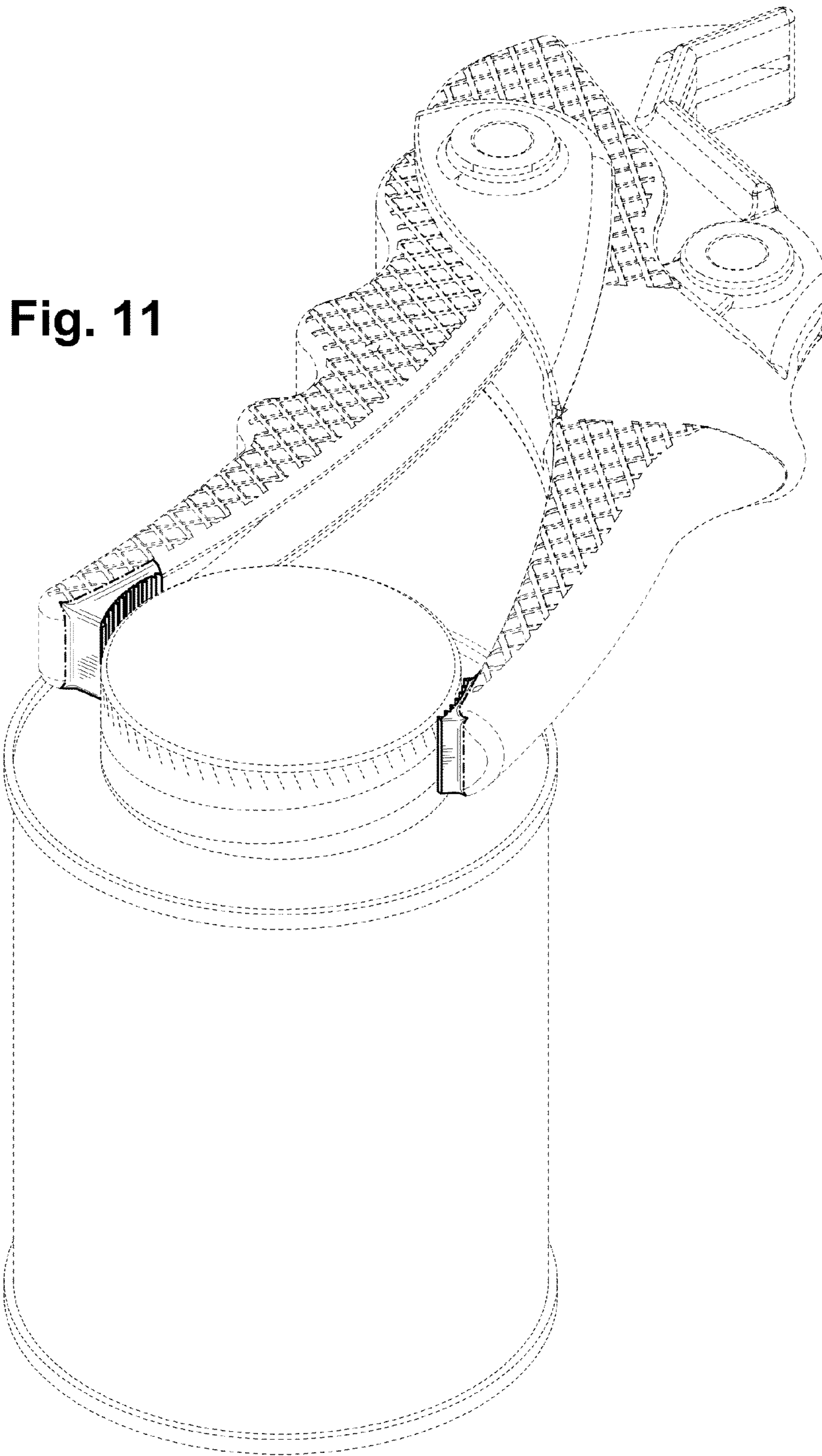


Fig. 11