



US00D717621S

(12) **United States Design Patent**  
**Miyazaki**

(10) **Patent No.:** **US D717,621 S**

(45) **Date of Patent:** **\*\* Nov. 18, 2014**

(54) **SOLDERING TIP**

(75) Inventor: **Mitsuhiko Miyazaki**, Osaka (JP)

(73) Assignee: **Hakko Corporation**, Osaka (JP)

(\*\*) Term: **14 Years**

(21) Appl. No.: **29/417,066**

(22) Filed: **Mar. 29, 2012**

(51) **LOC (10) Cl.** ..... **08-05**

(52) **U.S. Cl.**  
USPC ..... **D8/30**

(58) **Field of Classification Search**  
USPC ..... D8/14, 14.1, 30, 349, 382, 396;  
D15/144, 144.1, 144.2; D23/249, 253,  
D23/259, 262, 266; 219/229, 231, 237;  
228/8, 14, 51, 54

See application file for complete search history.

(56) **References Cited**

**U.S. PATENT DOCUMENTS**

3,121,781	A *	2/1964	Schoenwald	.....	219/237
D271,741	S *	12/1983	Riccio	.....	D8/30
5,031,817	A *	7/1991	Chen	.....	228/20.5
D327,825	S *	7/1992	Oglesby et al.	.....	D8/30
D416,689	S *	11/1999	Camp, Jr.	.....	D4/199
D419,845	S *	2/2000	Yasutomi et al.	.....	D8/70
D442,875	S *	5/2001	Fujiwara	.....	D15/144.2
6,247,631	B1 *	6/2001	Kawakatsu et al.	.....	228/51
D484,036	S *	12/2003	Koch	.....	D8/397
6,874,671	B2 *	4/2005	Hirano et al.	.....	228/51
D518,365	S *	4/2006	Wamsley	.....	D8/382

D519,137	S *	4/2006	Furujo et al.	.....	D15/144
D542,814	S *	5/2007	Concari	.....	D15/140
D545,853	S *	7/2007	Hawley et al.	.....	D15/144
D590,228	S *	4/2009	Aglassinger	.....	D8/70
D594,937	S *	6/2009	Price et al.	.....	D23/259
D596,272	S *	7/2009	Price et al.	.....	D23/259
D600,546	S *	9/2009	Scilingo et al.	.....	D8/397
D646,133	S *	10/2011	Lian et al.	.....	D8/14.1
D676,533	S *	2/2013	Clarke	.....	D23/266
D687,528	S *	8/2013	Meyer	.....	D23/262
D702,543	S *	4/2014	Bell	.....	D8/397

\* cited by examiner

*Primary Examiner* — Philip S Hyder

*Assistant Examiner* — Roselynn Cody

(74) *Attorney, Agent, or Firm* — Squire Patton Boggs (US) LLP

(57) **CLAIM**

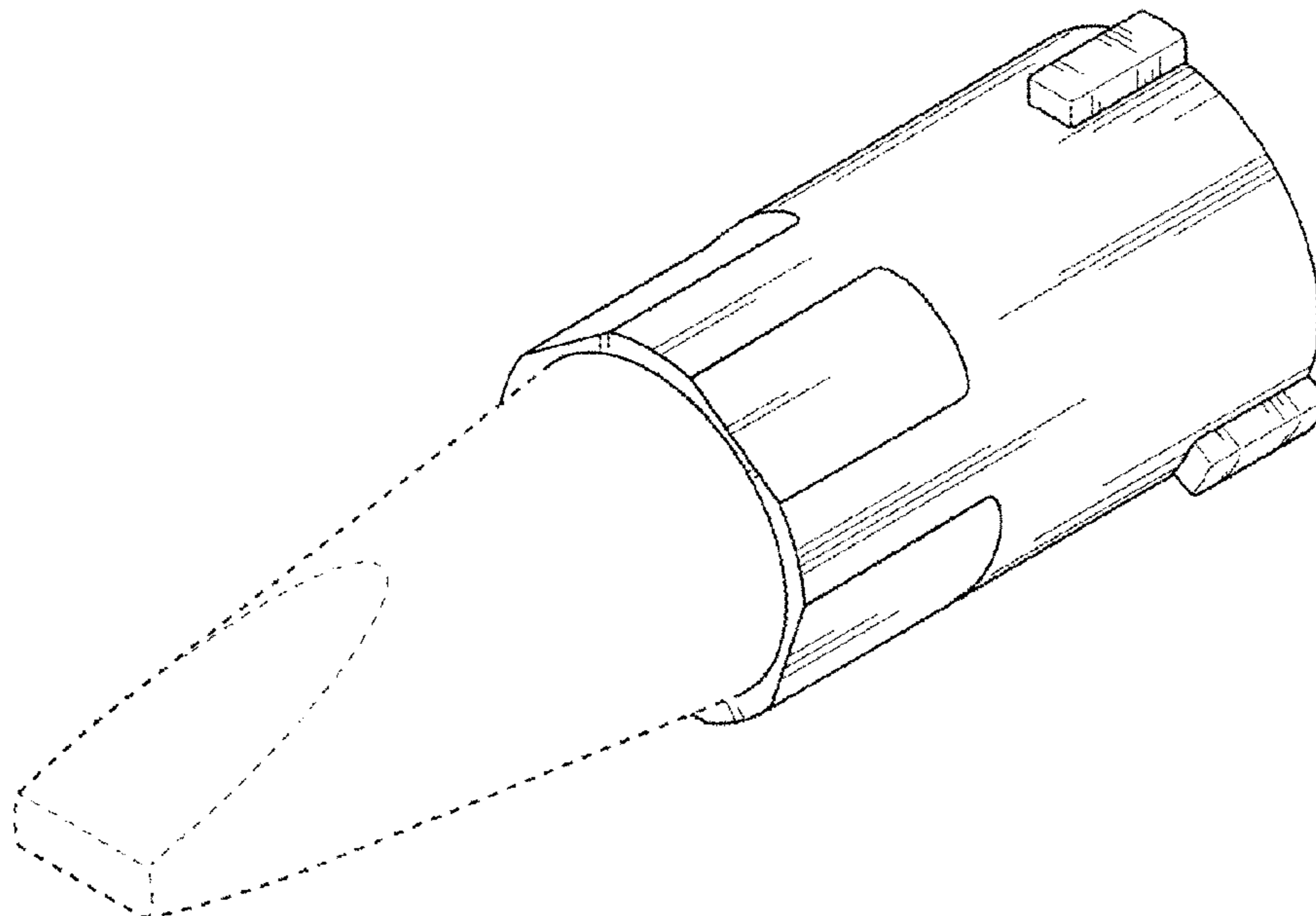
The ornamental design for a soldering tip, as shown and described.

**DESCRIPTION**

FIG. 1 is a perspective view of a soldering tip;  
FIG. 2 is a front view thereof, the opposite side being a mirror image of the side shown herein;  
FIG. 3 is a left side view thereof;  
FIG. 4 is a right side view thereof;  
FIG. 5 is a top view thereof; and,  
FIG. 6 is a bottom view thereof.

The portion shown by broken lines is for illustrative purposes only and forms no part of the claimed design.  
The portion of the soldering tip shown in broken lines is for illustrative purposes only and forms no part of the claim.

**1 Claim, 2 Drawing Sheets**



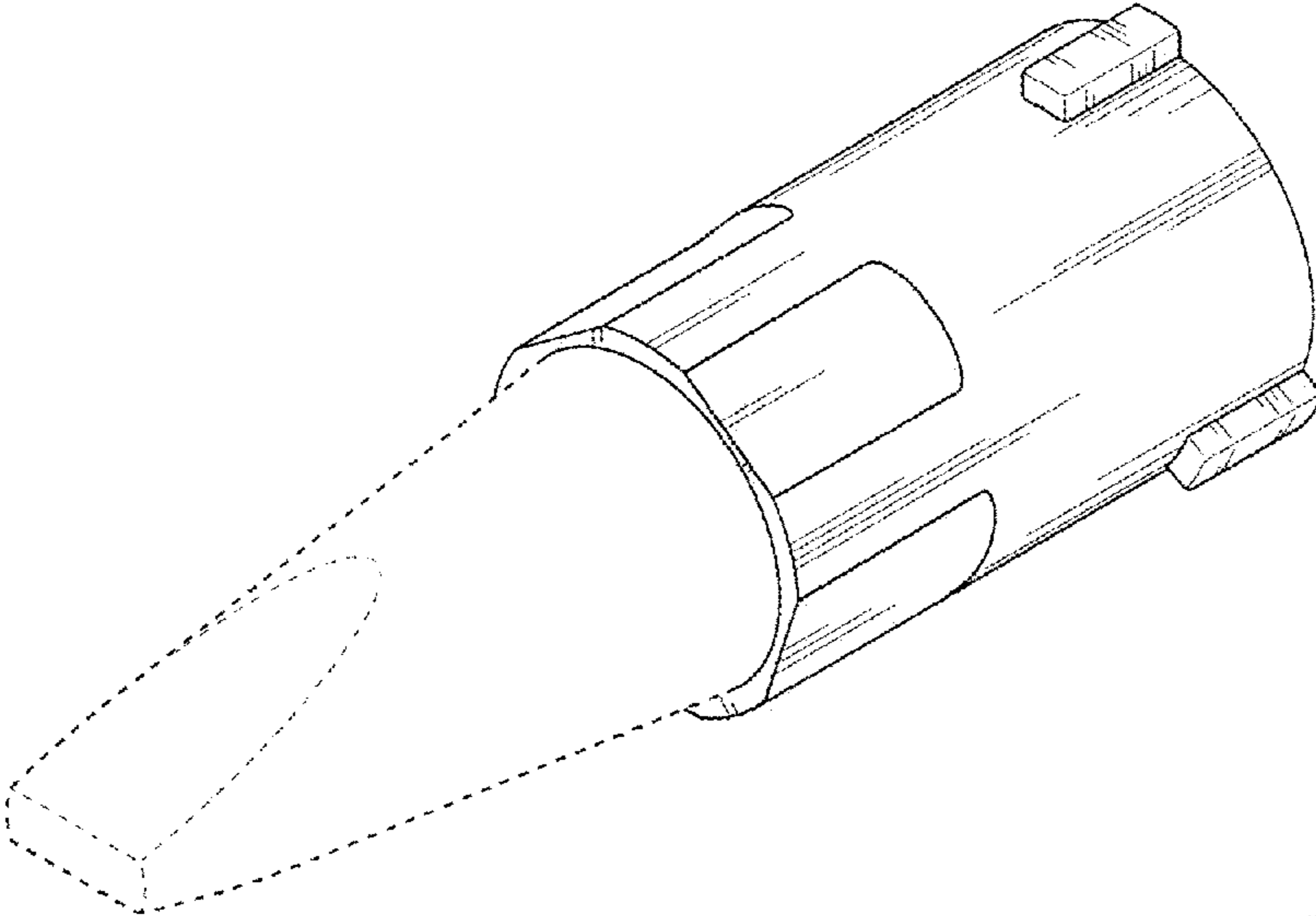


FIG. 1

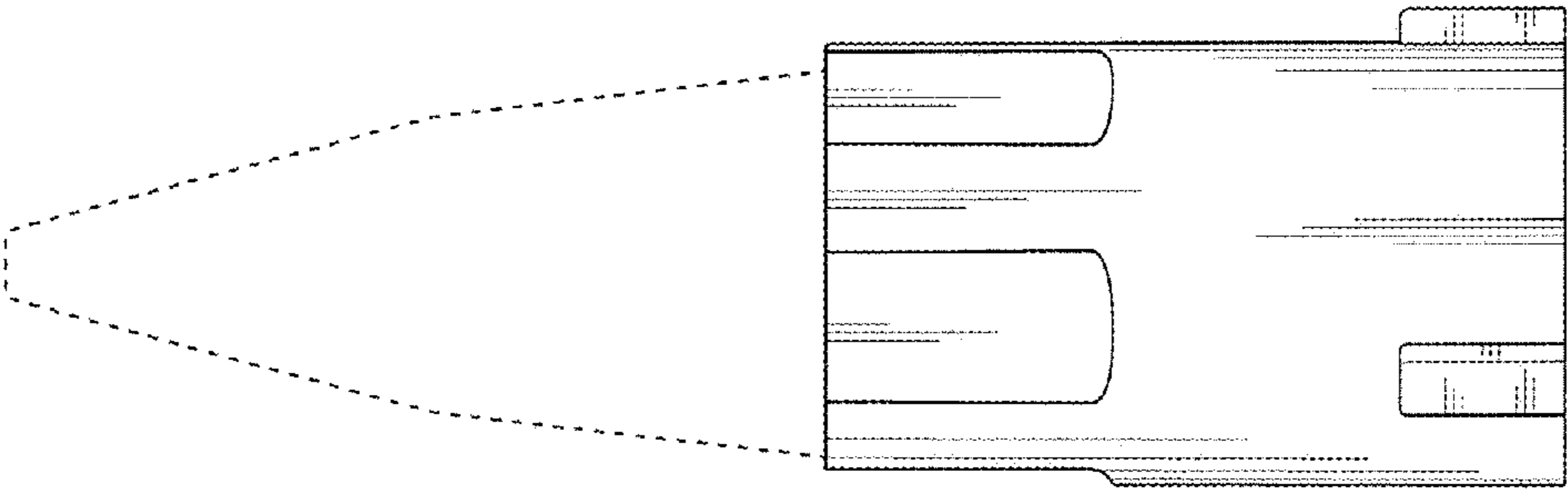


FIG. 2

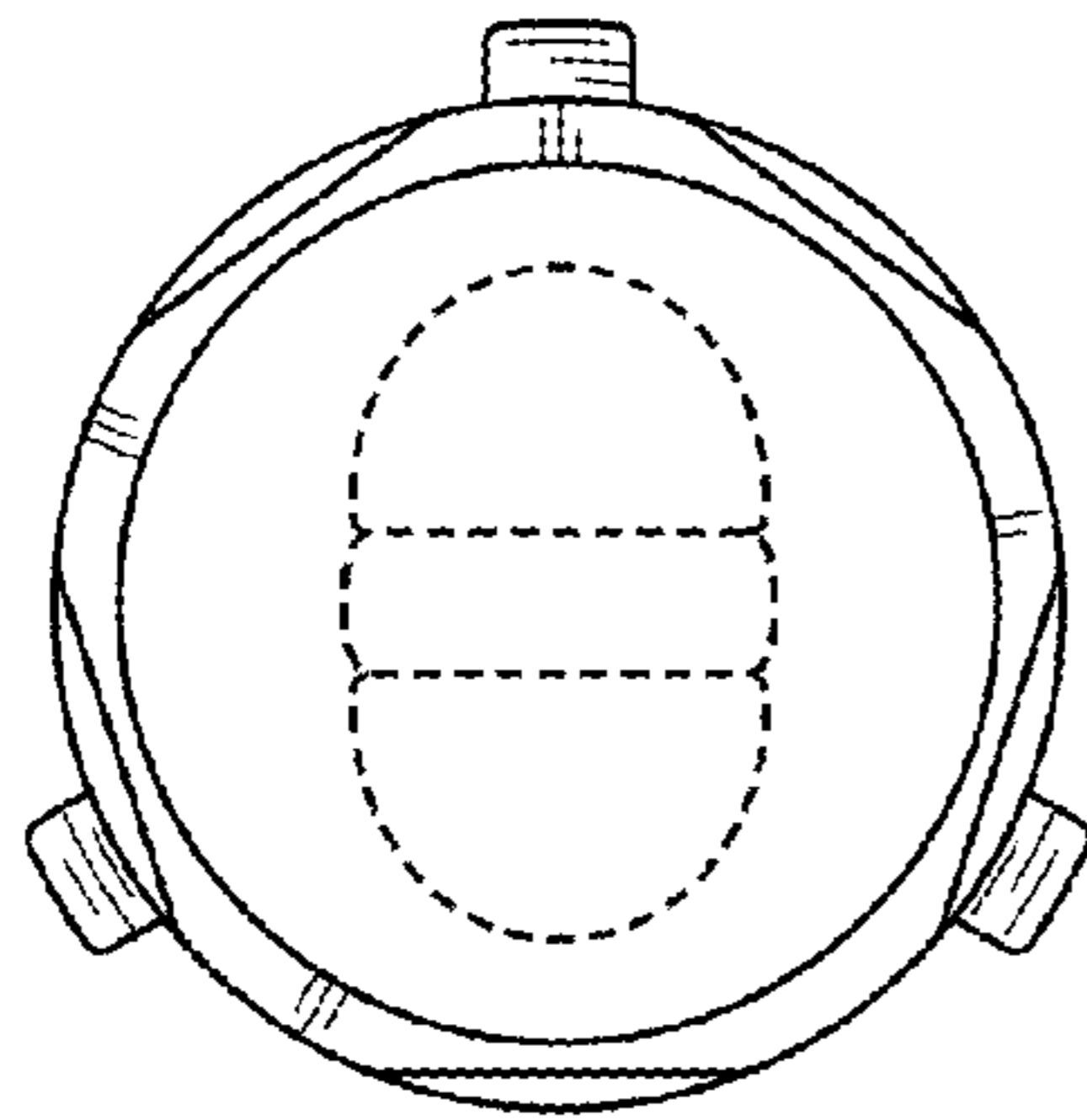


FIG. 3

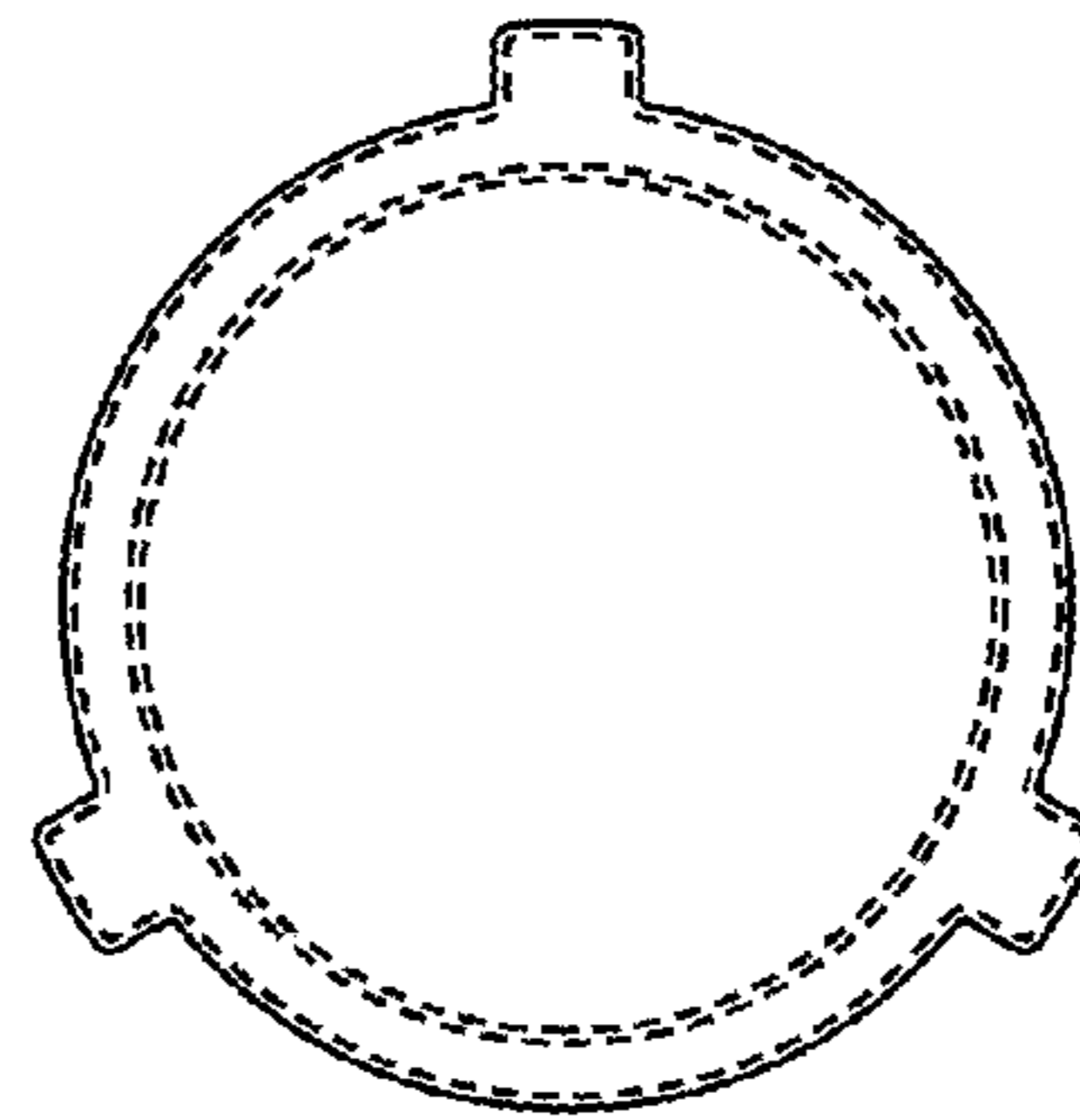


FIG. 4

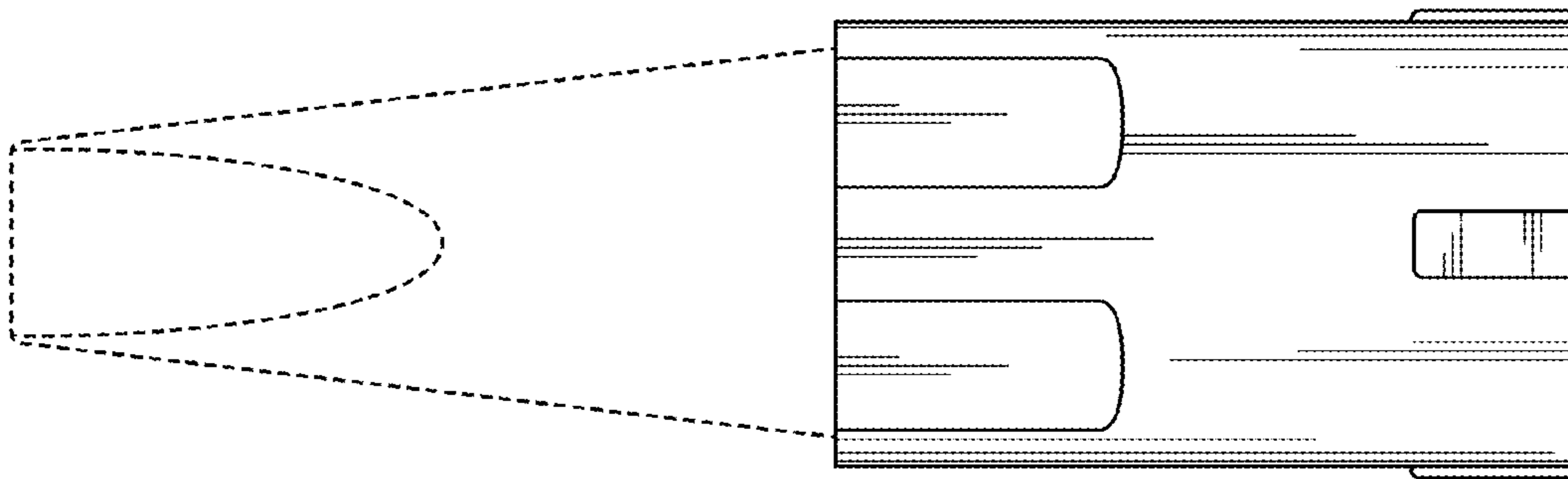


FIG. 5

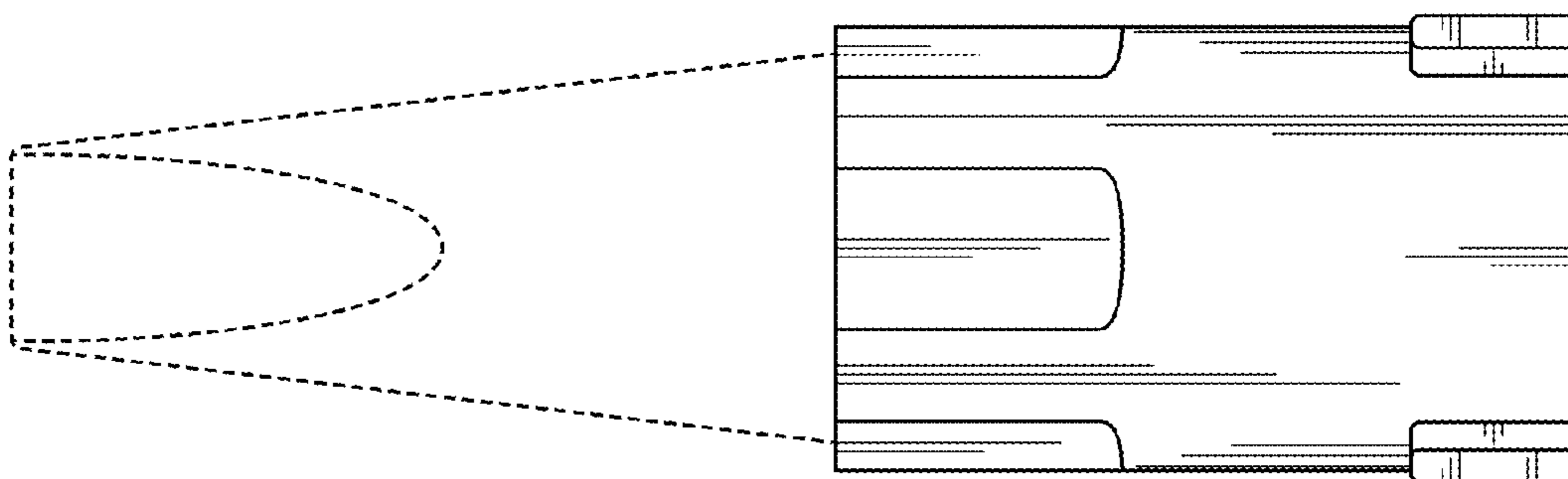


FIG. 6