



US00D717619S

(12) **United States Design Patent**  
**Kundracik et al.**

(10) **Patent No.:** **US D717,619 S**  
(45) **Date of Patent:** **\*\* Nov. 18, 2014**

(54) **TOOL HANDLE**

(71) Applicant: **Ridge Tool Company**, Elyria, OH (US)

(72) Inventors: **Richard M. Kundracik**, Elyria, OH (US); **Jason J. Boggs**, South Amherst, OH (US); **Glen R. Chartier**, Avon Lake, OH (US); **Prasad Patil**, Pune (IN); **Rahul Maruti Nanche**, Maharashtra (IN); **Sandeep Sidagouda Patil**, Pune (IN)

(73) Assignee: **Ridge Tool Company**, Elyria, OH (US)

(\*\*) Term: **14 Years**

(21) Appl. No.: **29/486,339**

(22) Filed: **Mar. 28, 2014**

**Related U.S. Application Data**

(63) Continuation-in-part of application No. 14/202,611, filed on Mar. 10, 2014, which is a continuation-in-part of application No. 13/908,316, filed on Jun. 3, 2013.

(30) **Foreign Application Priority Data**

Apr. 1, 2013 (IN) ..... 1263/MUM/2013

(51) **LOC (10) Cl.** ..... **08-05**

(52) **U.S. Cl.**  
USPC ..... **D8/23**

(58) **Field of Classification Search**

CPC ..... B25B 13/00; B25B 13/56  
USPC ..... D8/21-29, 107, 303, 17, 82-87;  
81/125.1, 124.1, 124.4, 177.1-177.7,  
81/489, 436-440, 60; 16/110.1, 421, 422,  
16/430, 431; D7/395, 649, 402.1, 393,  
D7/645, 401.2; D4/135, 138

See application file for complete search history.

(56) **References Cited**

U.S. PATENT DOCUMENTS

379,123 A 3/1888 Parmelee  
590,853 A 9/1897 Parmelee

(Continued)

FOREIGN PATENT DOCUMENTS

CN 2116561 2/1992  
CN 2150020 8/1992

(Continued)

OTHER PUBLICATIONS

International Search Report (ISR) and Written Opinion, PCT/US2013/066760, Mar. 18, 2014, 16 pages.

*Primary Examiner* — Randall Gholson

(74) *Attorney, Agent, or Firm* — Mark E. Bandy; Rankin, Hill & Clark LLP

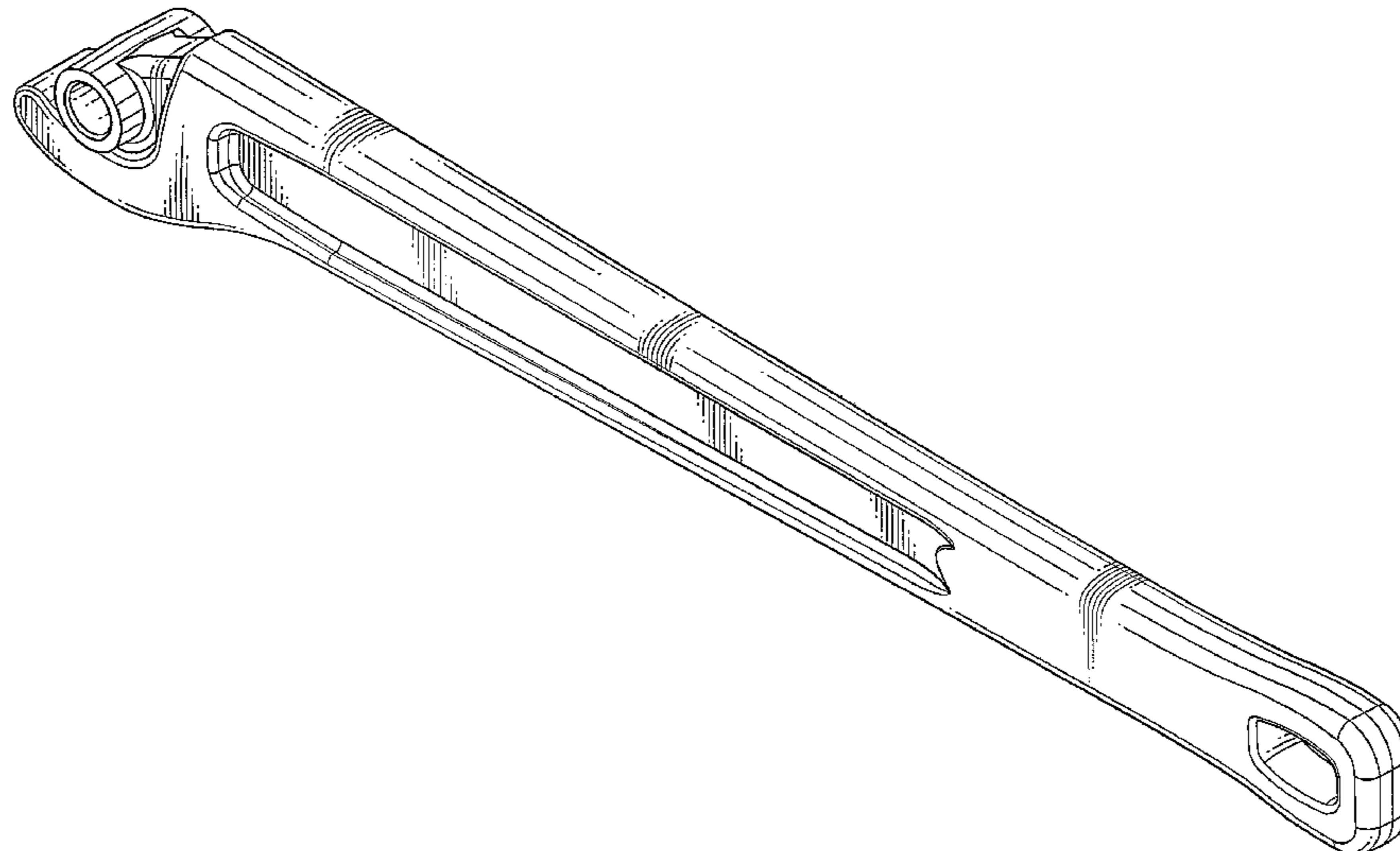
(57) **CLAIM**

The ornamental design for a tool handle, as shown and described.

**DESCRIPTION**

FIG. 1 is a rear left perspective view of a tool handle.  
FIG. 2 is a right side view of the tool handle of FIG. 1.  
FIG. 3 is a left side view of the tool handle of FIG. 1.  
FIG. 4 is a front elevational view of the tool handle of FIG. 1.  
FIG. 5 is a top plan view of the tool handle of FIG. 1.  
FIG. 6 is a bottom plan view of the tool handle of FIG. 1; and,  
FIG. 7 is a rear elevational view of the tool handle of FIG. 1.

**1 Claim, 7 Drawing Sheets**



(56)

References Cited

U.S. PATENT DOCUMENTS

608,202 A 8/1898 Kleckner  
 626,401 A 6/1899 Wiegand  
 648,706 A 5/1900 Parmelee  
 701,237 A 5/1902 Wight  
 747,612 A 12/1903 Jones  
 791,814 A 6/1905 Pitzer  
 807,258 A 12/1905 Foggan  
 871,436 A 11/1907 Parmelee  
 878,388 A 2/1908 Heimann  
 917,440 A 4/1909 Hughes  
 1,004,792 A 10/1911 Bessolo  
 1,072,320 A 9/1913 Dunham  
 1,093,496 A 4/1914 Stringfellow  
 1,128,467 A 2/1915 Lewis  
 1,161,777 A 11/1915 La Rock  
 1,177,620 A 4/1916 Hardeman  
 1,310,995 A 7/1919 Langford  
 1,334,250 A 3/1920 Langford  
 1,380,513 A 6/1921 Zilen et al.  
 1,401,964 A 1/1922 Cromwell  
 1,431,994 A \* 10/1922 Thomas ..... 81/101  
 1,454,016 A 5/1923 Steen  
 1,483,486 A 2/1924 Scott et al.  
 1,544,807 A 7/1925 Childs  
 1,548,344 A 8/1925 Bessolo  
 1,556,169 A 10/1925 Smith  
 1,584,861 A 5/1926 Jones  
 1,593,000 A 7/1926 Wilson  
 1,718,719 A 6/1929 Turner  
 1,763,135 A 6/1930 Cox  
 1,885,616 A \* 11/1932 Mead ..... 81/99  
 1,900,358 A \* 3/1933 Mead ..... 81/100  
 2,047,506 A 7/1936 Hertel  
 2,166,449 A 7/1939 Sharpe  
 2,209,988 A 8/1940 Matlock  
 2,278,439 A 4/1942 Grau et al.  
 2,291,620 A 8/1942 Grau  
 2,310,246 A 2/1943 Lundeen  
 2,329,181 A 9/1943 Boynton  
 2,339,760 A 1/1944 Boynton  
 2,423,326 A 7/1947 Jones  
 2,465,695 A 3/1949 Osborne  
 2,491,623 A 12/1949 Sesak  
 2,557,202 A 6/1951 Raymond et al.  
 2,637,236 A 5/1953 Vergnani et al.  
 2,967,446 A 1/1961 Martois  
 3,097,552 A 7/1963 Kelley  
 3,669,850 A 6/1972 Draca  
 3,703,111 A 11/1972 Guier  
 3,832,918 A 9/1974 Lang et al.  
 4,194,419 A 3/1980 Mitchhart et al.  
 4,403,801 A 9/1983 Huff et al.  
 4,485,702 A 12/1984 Swan et al.  
 4,712,284 A 12/1987 Coyle  
 4,714,289 A 12/1987 Arzenti et al.  
 4,759,239 A 7/1988 Hamilton et al.  
 4,893,528 A 1/1990 Chung-Hsing  
 4,989,909 A 2/1991 Bouligny et al.  
 5,094,132 A 3/1992 Engel  
 5,230,264 A 7/1993 Kindling  
 5,231,899 A 8/1993 Lee  
 5,287,777 A 2/1994 Kolodziej  
 5,435,214 A 7/1995 Sisson  
 5,452,886 A 9/1995 Cote et al.  
 5,535,647 A 7/1996 Donaldson  
 5,535,650 A 7/1996 McNatt  
 5,537,900 A 7/1996 Schaar  
 5,653,297 A 8/1997 Whisenhunt  
 5,746,097 A 5/1998 McCann  
 5,768,958 A 6/1998 Gamble  
 5,791,206 A 8/1998 Daigle et al.

5,829,327 A 11/1998 Stanton  
 5,865,073 A 2/1999 Wilson et al.  
 5,927,159 A 7/1999 Yokoyama et al.  
 5,941,142 A 8/1999 Janson  
 5,996,444 A 12/1999 Pearce et al.  
 6,055,888 A 5/2000 Mitchell  
 6,116,118 A 9/2000 Wesch, Jr.  
 6,131,491 A 10/2000 Hirse  
 6,135,607 A 10/2000 Cook  
 6,341,543 B1 1/2002 Hsieh  
 6,349,621 B1 2/2002 Khachatoorain  
 6,378,399 B1 4/2002 Bangert  
 6,488,323 B1 12/2002 Bouligny  
 6,530,297 B2 3/2003 McCann  
 6,537,140 B1 3/2003 Miller et al.  
 D474,380 S \* 5/2003 Chartier et al. .... D8/23  
 6,568,301 B2 5/2003 Huang  
 6,755,097 B2 6/2004 Bangert  
 6,799,493 B2 10/2004 Wang  
 6,938,519 B2 9/2005 Boyd et al.  
 6,978,701 B1 12/2005 Buchanan  
 6,988,430 B1 1/2006 Putney et al.  
 7,036,397 B2 5/2006 Bangert  
 7,044,030 B2 \* 5/2006 Chartier et al. .... 81/99  
 7,111,529 B2 9/2006 Pradelski  
 7,121,172 B1 10/2006 Daniels  
 7,197,964 B2 4/2007 Buchanan  
 D571,172 S \* 6/2008 Yu ..... D8/22  
 7,665,514 B2 2/2010 Patterson  
 7,913,589 B2 3/2011 Chen  
 8,453,542 B2 6/2013 Gouws  
 2005/0188793 A1 9/2005 Cherry  
 2006/0207393 A1 9/2006 Stupar  
 2007/0256237 A1 11/2007 Mayer  
 2008/0034927 A1 2/2008 Adkins et al.  
 2010/0122608 A1 5/2010 Chen  
 2010/0146801 A1 6/2010 Pellenc  
 2010/0282033 A1 11/2010 Buchanan  
 2011/0138972 A1 6/2011 Wojick  
 2011/0203420 A1 8/2011 Riestra  
 2011/0209586 A1 9/2011 Wojick  
 2011/0232427 A1 9/2011 Streater et al.

FOREIGN PATENT DOCUMENTS

CN 2161425 5/1993  
 CN 2181374 9/1993  
 CN 1041180 1/1995  
 CN 1139037 1/1995  
 CN 2275013 5/1996  
 CN 2271949 9/1996  
 CN 2291258 5/1997  
 CN 2356809 1/2000  
 CN 2657863 9/2003  
 CN 2656087 10/2003  
 CN 2685007 2/2004  
 CN 2782307 1/2005  
 CN 2770880 3/2005  
 CN 2923201 5/2006  
 CN 201046558 6/2006  
 CN 2930983 7/2006  
 CN 201098856 7/2007  
 CN 201115940 11/2007  
 CN 201342650 2/2009  
 CN 201744941 12/2009  
 CN 201632962 1/2010  
 CN 201659522 4/2010  
 CN 201856195 11/2010  
 CN 202344440 9/2011  
 CN 202377960 12/2011  
 WO 2009093763 1/2008  
 WO 2011089297 1/2010

\* cited by examiner

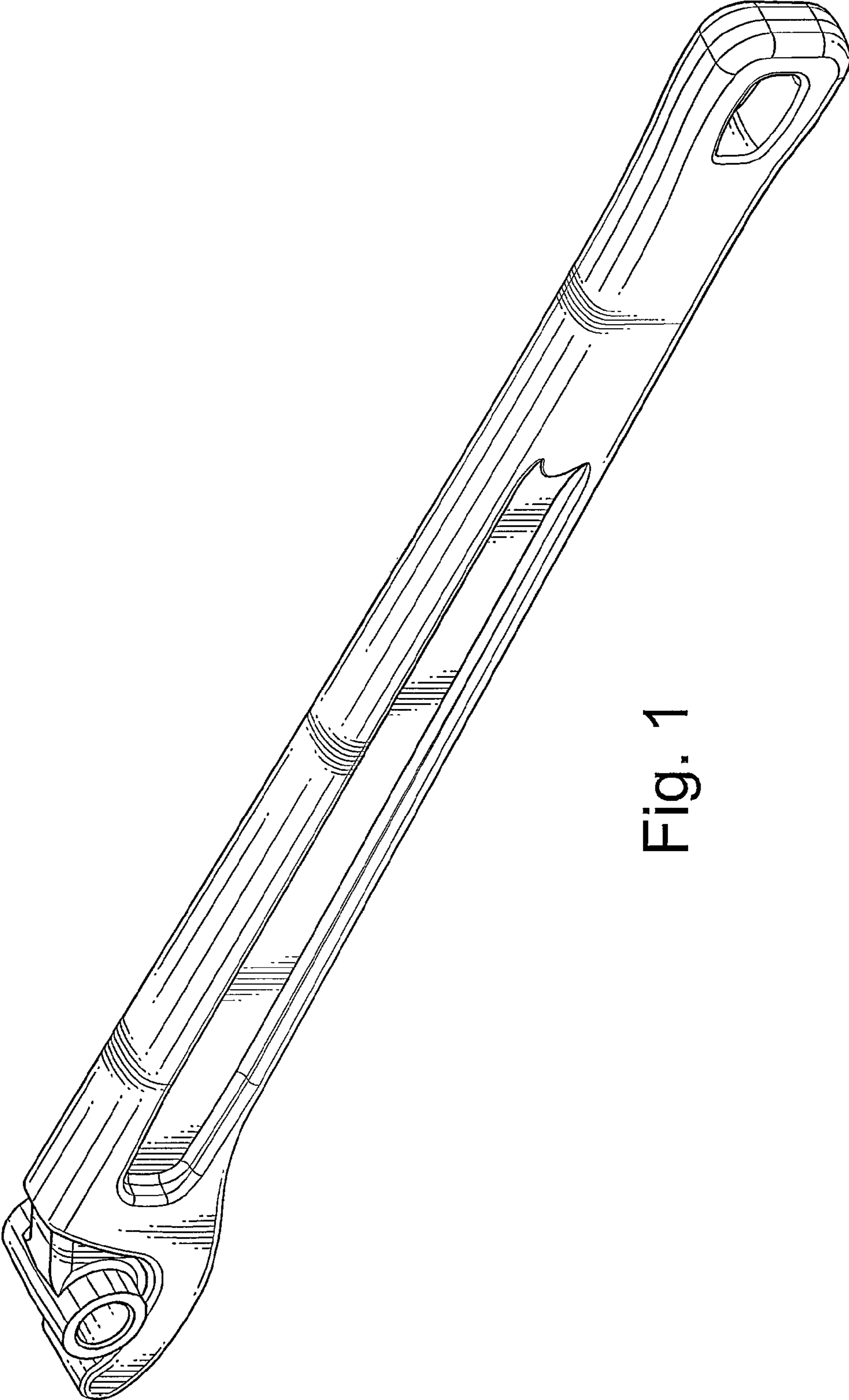


Fig. 1

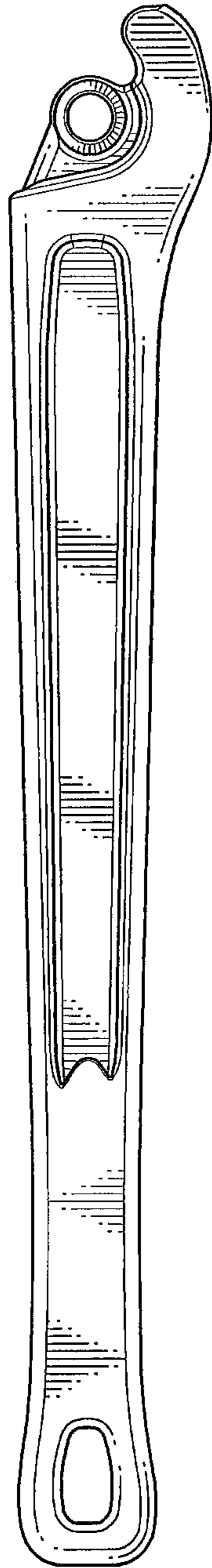


Fig. 2

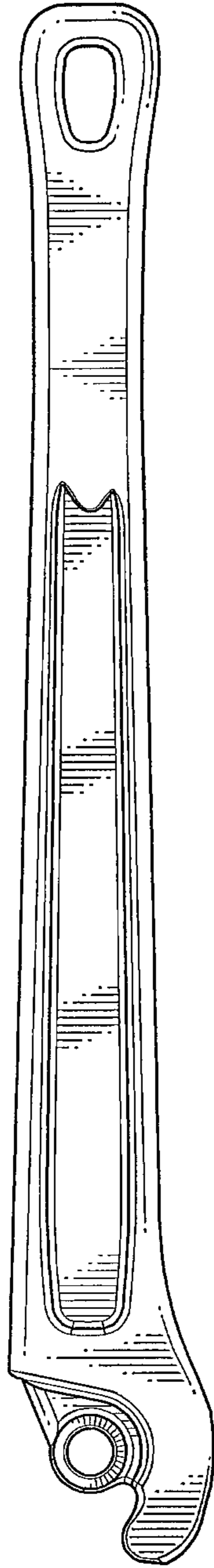


Fig. 3

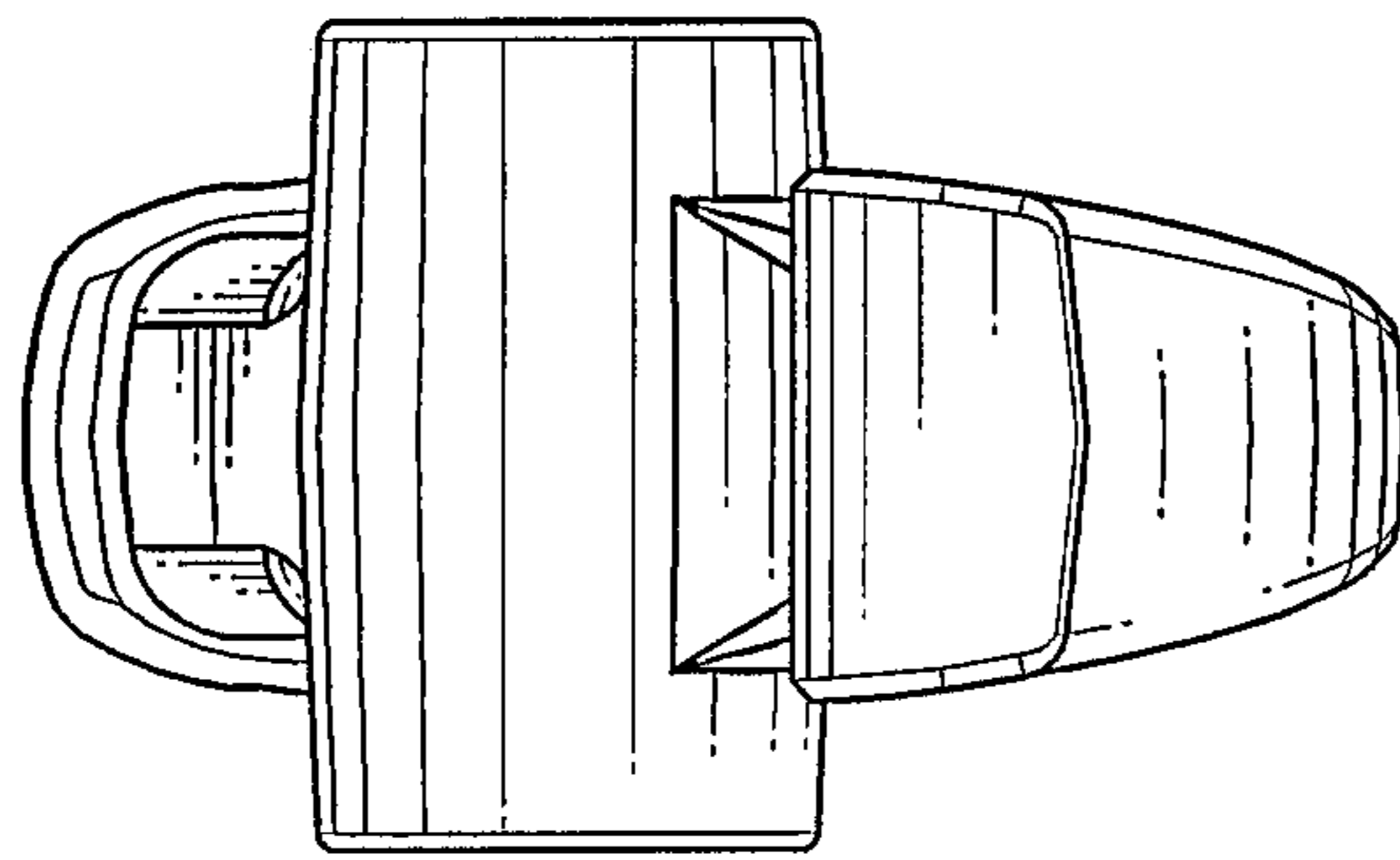


Fig. 4

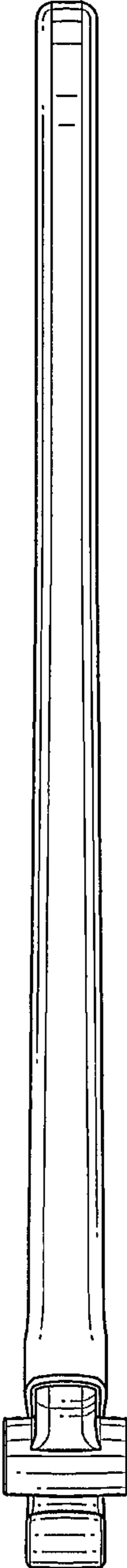


Fig. 5

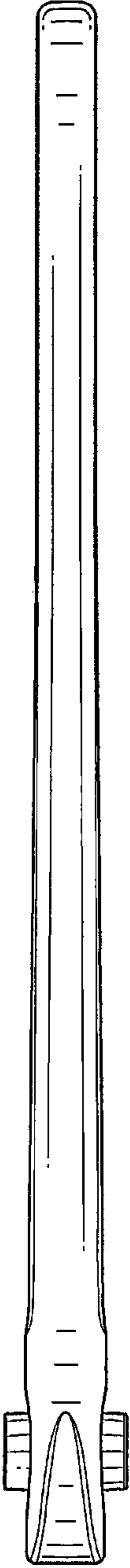


Fig. 6



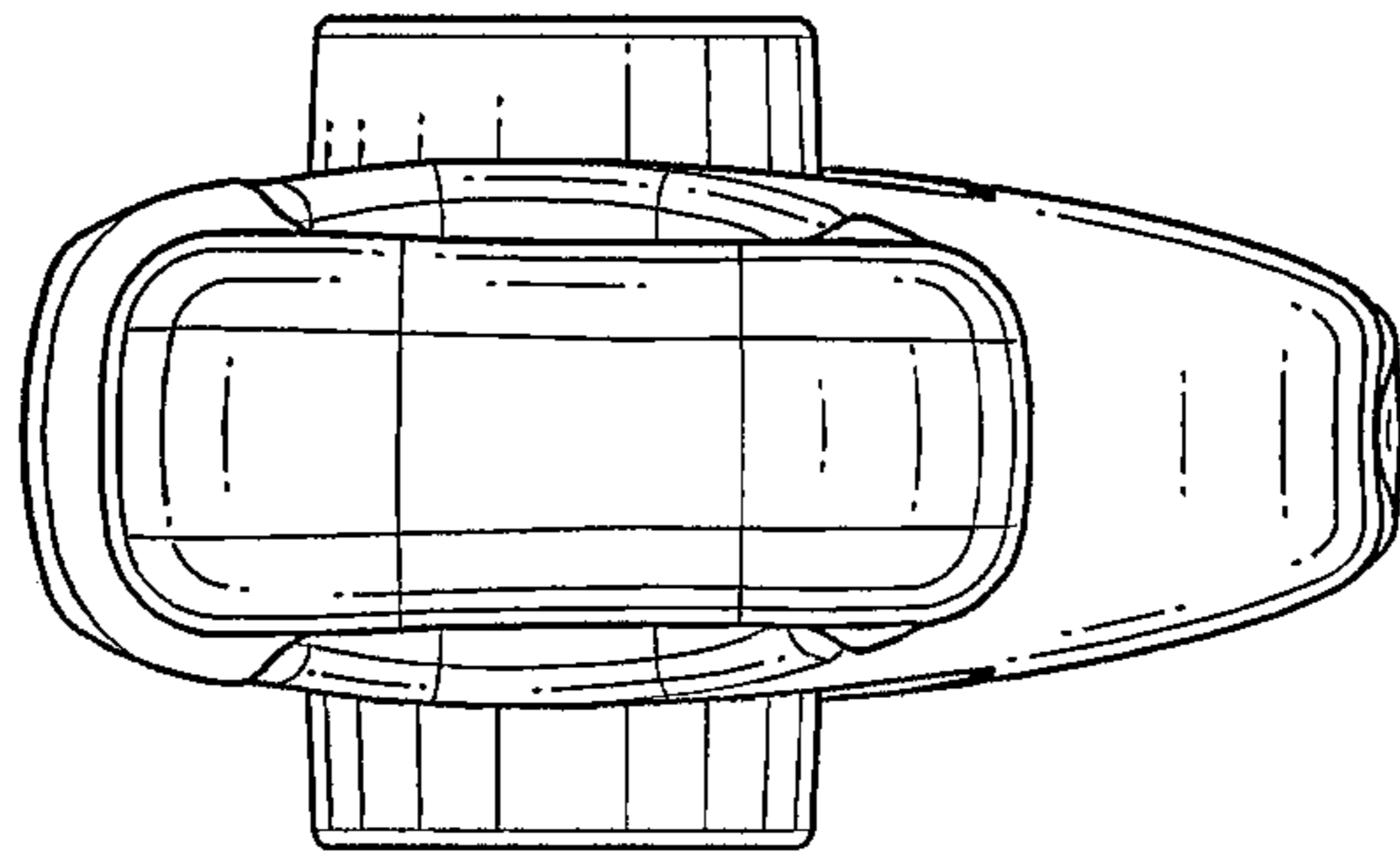


Fig. 7