



US00D717615S

(12) **United States Design Patent**
Silberberg et al.

(10) **Patent No.:** **US D717,615 S**

(45) **Date of Patent:** **** Nov. 18, 2014**

(54) **DEVICE FOR CUTTING SMALL FOOD ITEMS**

(71) Applicant: **Helen of Troy Limited**, St. Michael (BB)

(72) Inventors: **Yoni Silberberg**, Modiin (IL); **Daniel Leibovics**, Hana (IL); **Shelley Palazzolo**, Brooklyn, NY (US); **Sunny Kim**, Astoria, NY (US)

(73) Assignee: **Helen of Troy Limited**, Belleville, St. Michael (BB)

(**) Term: **14 Years**

(21) Appl. No.: **29/466,041**

(22) Filed: **Sep. 4, 2013**

(51) **LOC (10) Cl.** **07-04**

(52) **U.S. Cl.**
USPC **D7/693**

(58) **Field of Classification Search**
CPC A23N 4/12
USPC D7/693, 678, 679, 381, 384; 99/545, 99/537, 543, 495; 30/114, 302
See application file for complete search history.

(56) **References Cited**

U.S. PATENT DOCUMENTS

563,652 A	7/1896	Bulette	
2,572,770 A	10/1951	Shaddock	
2,683,566 A	7/1954	Bentley	
3,830,151 A	8/1974	Gerson	
D244,416 S *	5/1977	Zysset	D7/693
D268,318 S *	3/1983	Lutzker	D7/669

4,557,053 A	12/1985	Hadley, Jr.	
4,967,970 A	11/1990	Michel	
5,101,718 A *	4/1992	Lin	99/545
D489,585 S *	5/2004	Wong	D7/693
6,840,161 B2	1/2005	Backus et al.	
7,150,214 B2	12/2006	Repac et al.	
7,779,739 B2	8/2010	Peterson et al.	
2002/0113155 A1	8/2002	Weibel et al.	
2005/0229405 A1	10/2005	Endres et al.	

FOREIGN PATENT DOCUMENTS

WO 2012/120493 9/2012

* cited by examiner

Primary Examiner — Terry Wallace

(74) *Attorney, Agent, or Firm* — Rankin, Hill & Clark LLP

(57) **CLAIM**

The ornamental design for a device for cutting small food items, as shown and described.

DESCRIPTION

FIG. 1 is a perspective view of a device for cutting small food items;

FIG. 2 is a front elevation view thereof;

FIG. 3 is a right side elevation view thereof;

FIG. 4 is a rear elevation view thereof;

FIG. 5 is a top plan view thereof;

FIG. 6 is a left side elevation view thereof; and,

FIG. 7 is a top plan view thereof.

The broken lines which illustrate openings and internal components of the device for cutting small food items do not form a part of the claimed design.

1 Claim, 7 Drawing Sheets

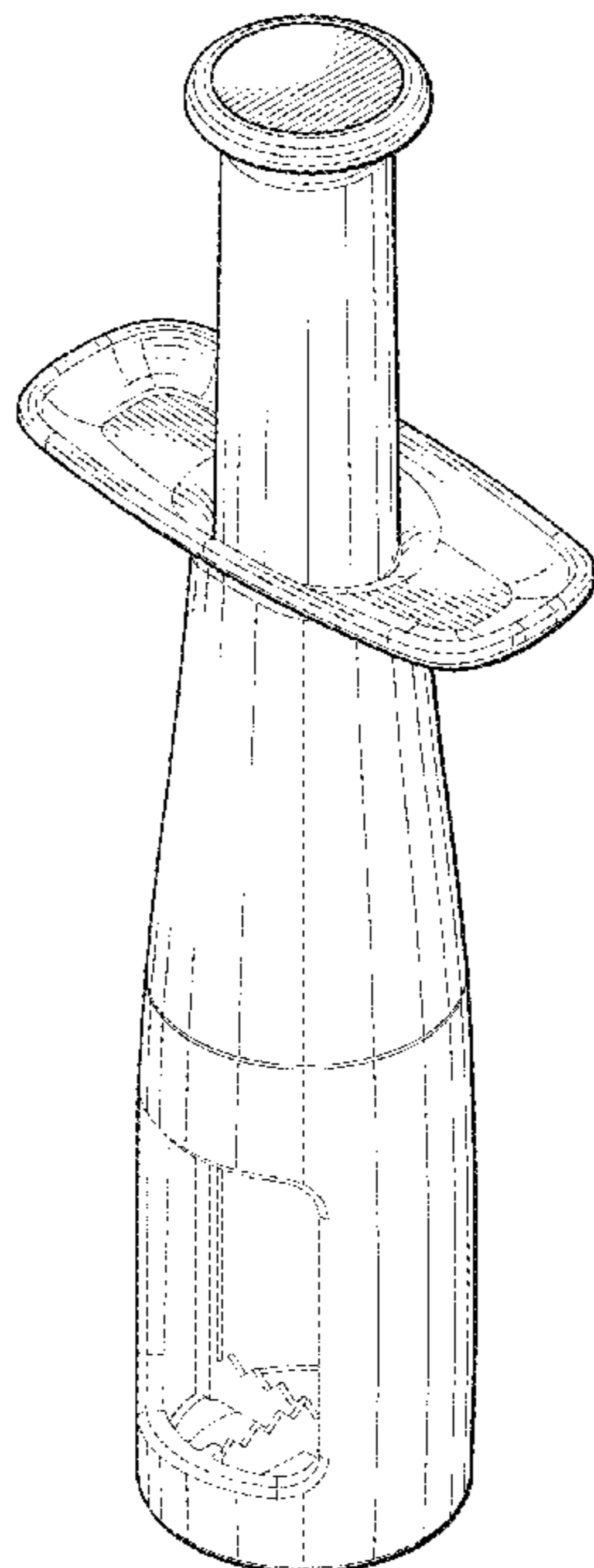




FIG. 1

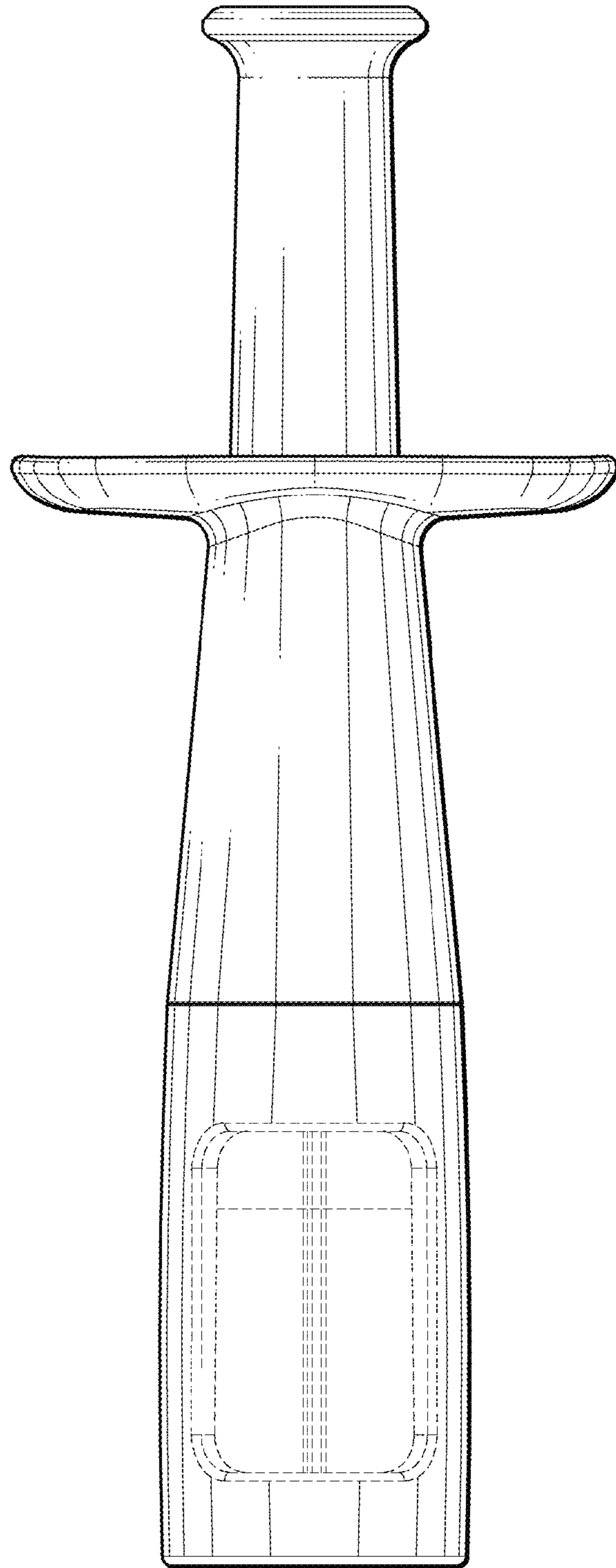


FIG. 2

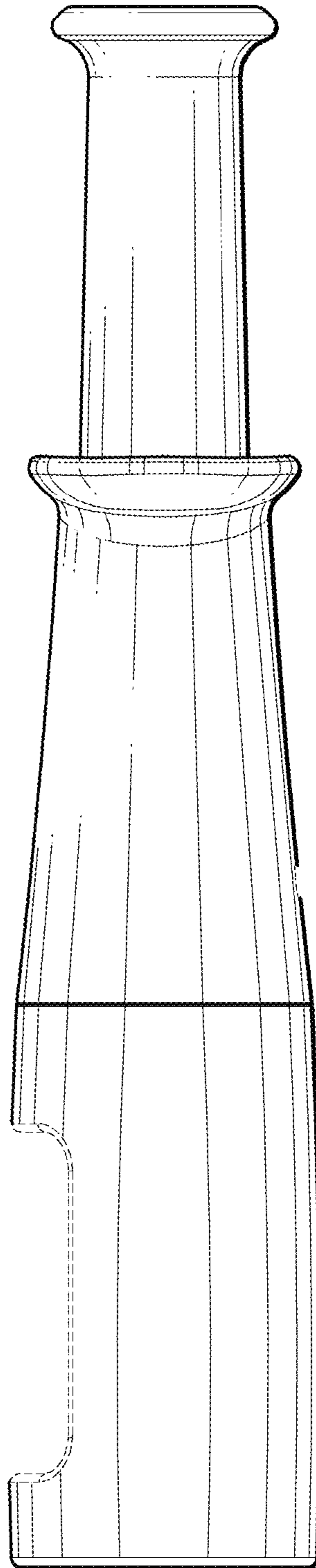


FIG. 3

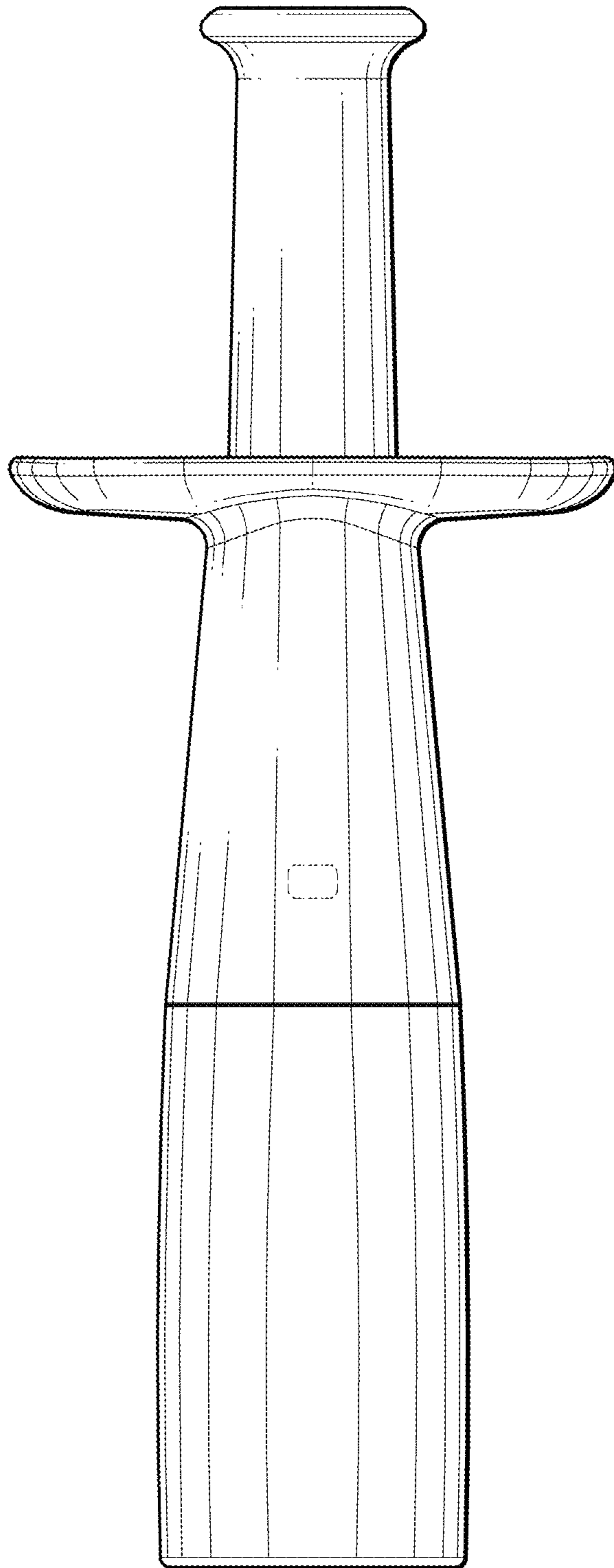


FIG. 4

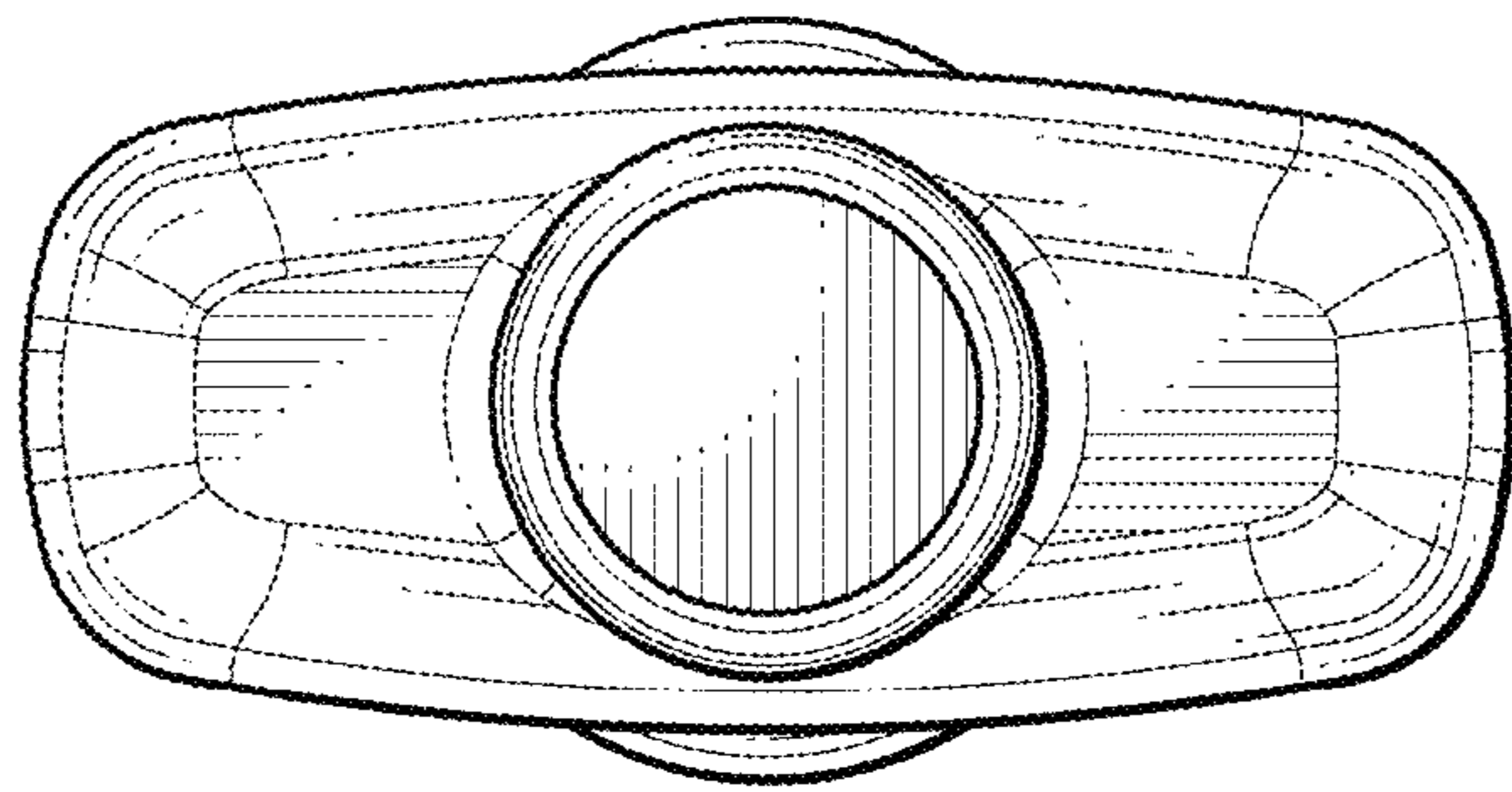


FIG. 5

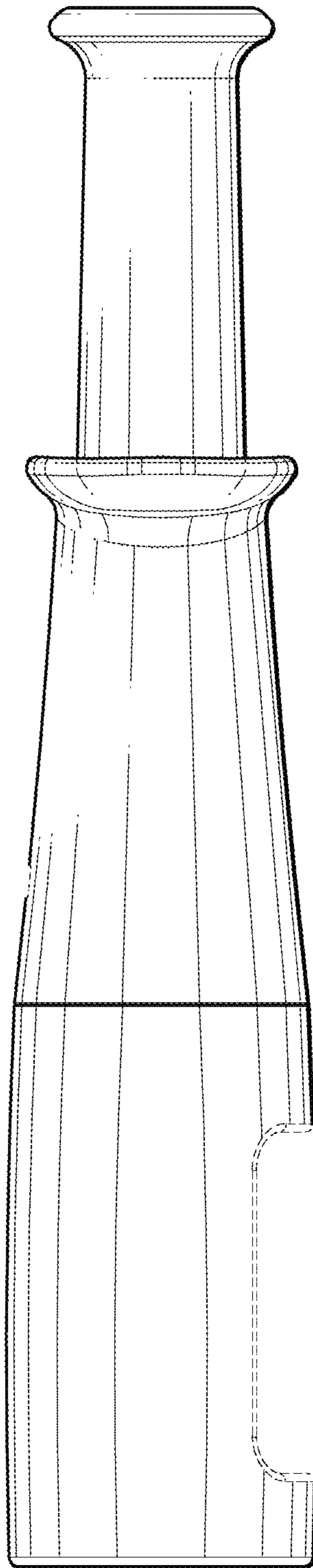


FIG. 6

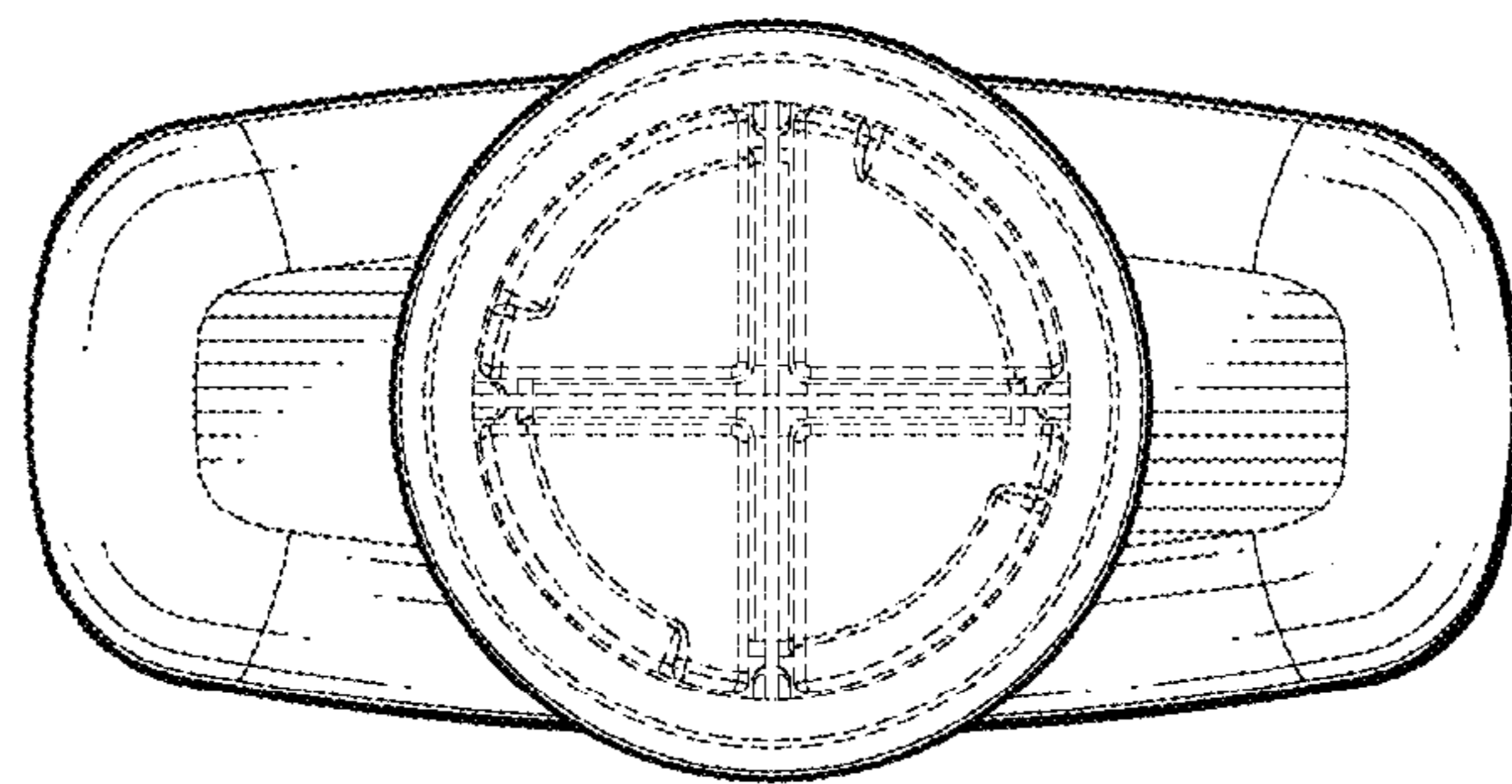


FIG. 7