



US00D717614S

(12) **United States Design Patent**
Runstedler

(10) **Patent No.:** **US D717,614 S**

(45) **Date of Patent:** **** Nov. 18, 2014**

(54) **COOKING UTENSIL**

(71) Applicant: **Lisa Runstedler**, Dashwood (CA)

(72) Inventor: **Lisa Runstedler**, Dashwood (CA)

(73) Assignee: **Lisa Runstedler**, Dashwood, ON (CA)

(**) Term: **14 Years**

(21) Appl. No.: **29/466,506**

(22) Filed: **Sep. 9, 2013**

(51) **LOC (10) Cl.** **07-06**

(52) **U.S. Cl.**
USPC **D7/683**

(58) **Field of Classification Search**
CPC A47J 43/283
USPC D7/680-696, 393, 395, 642, 643, 648,
D7/653; 30/322, 323, 129, 286; 452/146;
7/112, 110, 109, 113; 99/426, 464,
99/494, 415-419, 449, 441, 421 R, 425,
99/421 V, 421 A

See application file for complete search history.

(56) **References Cited**

U.S. PATENT DOCUMENTS

2,649,042 A *	8/1953	Wickman	99/441
D171,539 S *	2/1954	Goodsell	D7/683
3,931,758 A *	1/1976	Blake	99/419
5,238,445 A *	8/1993	Green	99/421 A
D395,988 S *	7/1998	Badour	D7/683
D482,937 S *	12/2003	Renault	D7/683
D496,835 S *	10/2004	Scott	D7/683

* cited by examiner

Primary Examiner — Terry Wallace

(74) *Attorney, Agent, or Firm* — David J. Schnurr

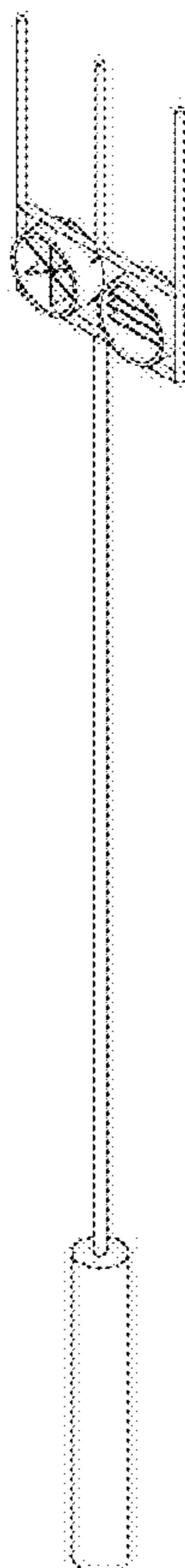
(57) **CLAIM**

The ornamental design for the cooking utensil, as shown and described.

DESCRIPTION

FIG. 1 shows a perspective view of the cooking utensil of the present design;
FIG. 2 shows a top plan view of the cooking utensil of FIG. 1;
FIG. 3 shows a side elevation view of the cooking utensil of FIG. 1; and,
FIG. 4 shows an end view of the cooking utensil of FIG. 1.

1 Claim, 4 Drawing Sheets



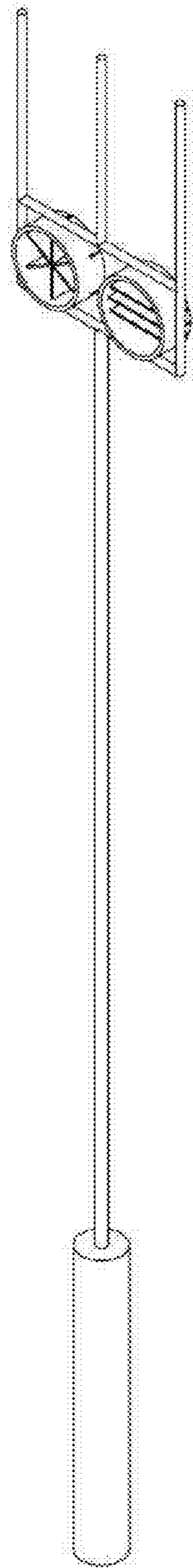


Fig. 1

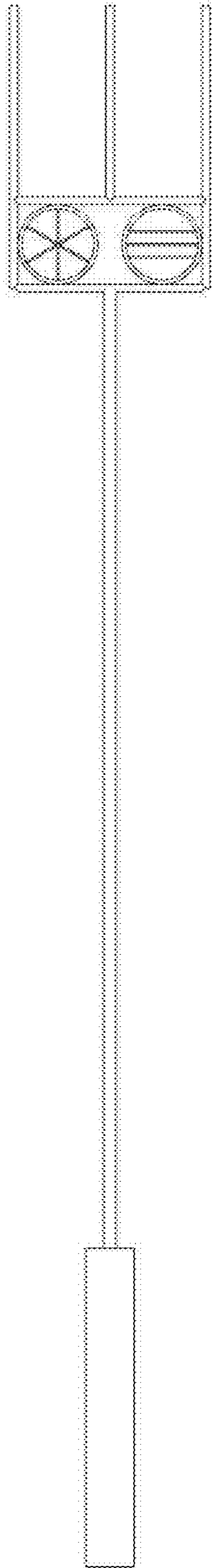


Fig. 2

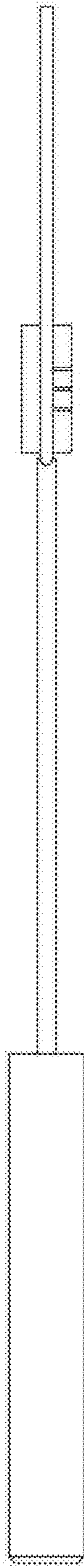


Fig. 3

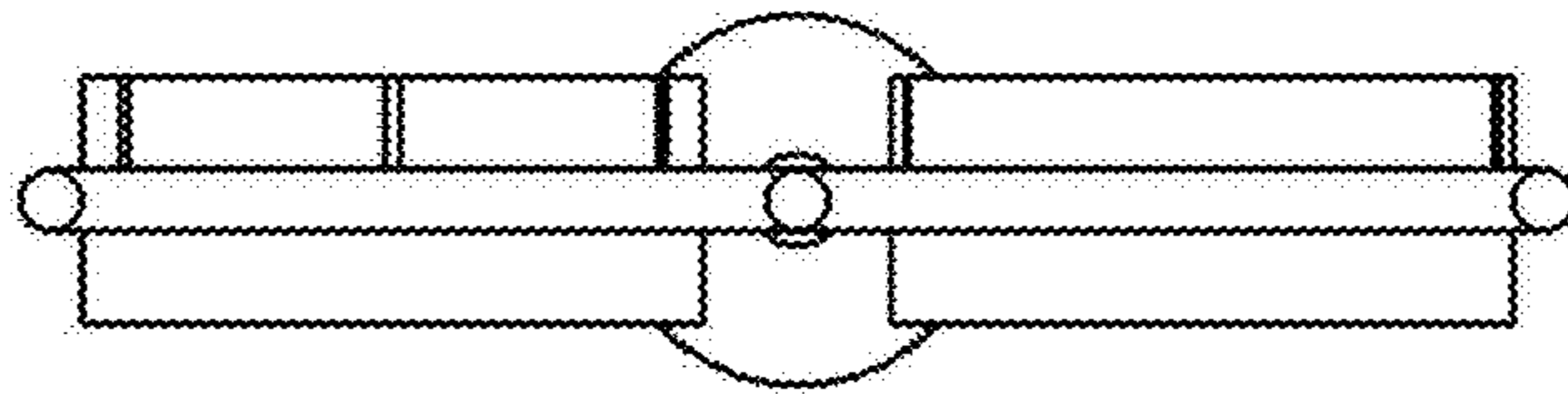


Fig. 4