



US00D717613S

(12) **United States Design Patent**  
**Wong**

(10) **Patent No.:** **US D717,613 S**

(45) **Date of Patent:** **\*\* Nov. 18, 2014**

(54) **MANUAL JUICER**

(71) Applicant: **Yan Kwong Wong**, Hong Kong (HK)

(72) Inventor: **Yan Kwong Wong**, Hong Kong (HK)

(\*\*) Term: **14 Years**

(21) Appl. No.: **29/461,488**

(22) Filed: **Jul. 23, 2013**

(51) **LOC (10) Cl.** ..... **07-06**

(52) **U.S. Cl.**  
USPC ..... **D7/666**

(58) **Field of Classification Search**  
CPC ..... A47J 19/02; A47J 19/027  
USPC ..... D7/368, 669, 665-667, 412, 376-386,  
D7/372; 99/501-513, 495, 499, 348, 357,  
99/349, 279, 284, 369, 370, 496-497, 280,  
99/290; 100/213, 218, 283, 288, 208;  
366/197-211, 241-254, 279-292,  
366/341-347, 64-67; 241/92,  
241/101.1-101.73, 285.1-285.3, 36, 37,  
241/100, 282.1

See application file for complete search history.

(56) **References Cited**

U.S. PATENT DOCUMENTS

D206,927 S *	2/1967	Popell .....	D7/372
D260,351 S *	8/1981	Shun .....	D7/372
D332,899 S *	2/1993	Shun .....	D7/666
D424,889 S *	5/2000	Yip .....	D7/679
D475,253 S *	6/2003	Yip .....	D7/666

\* cited by examiner

*Primary Examiner* — Terry Wallace

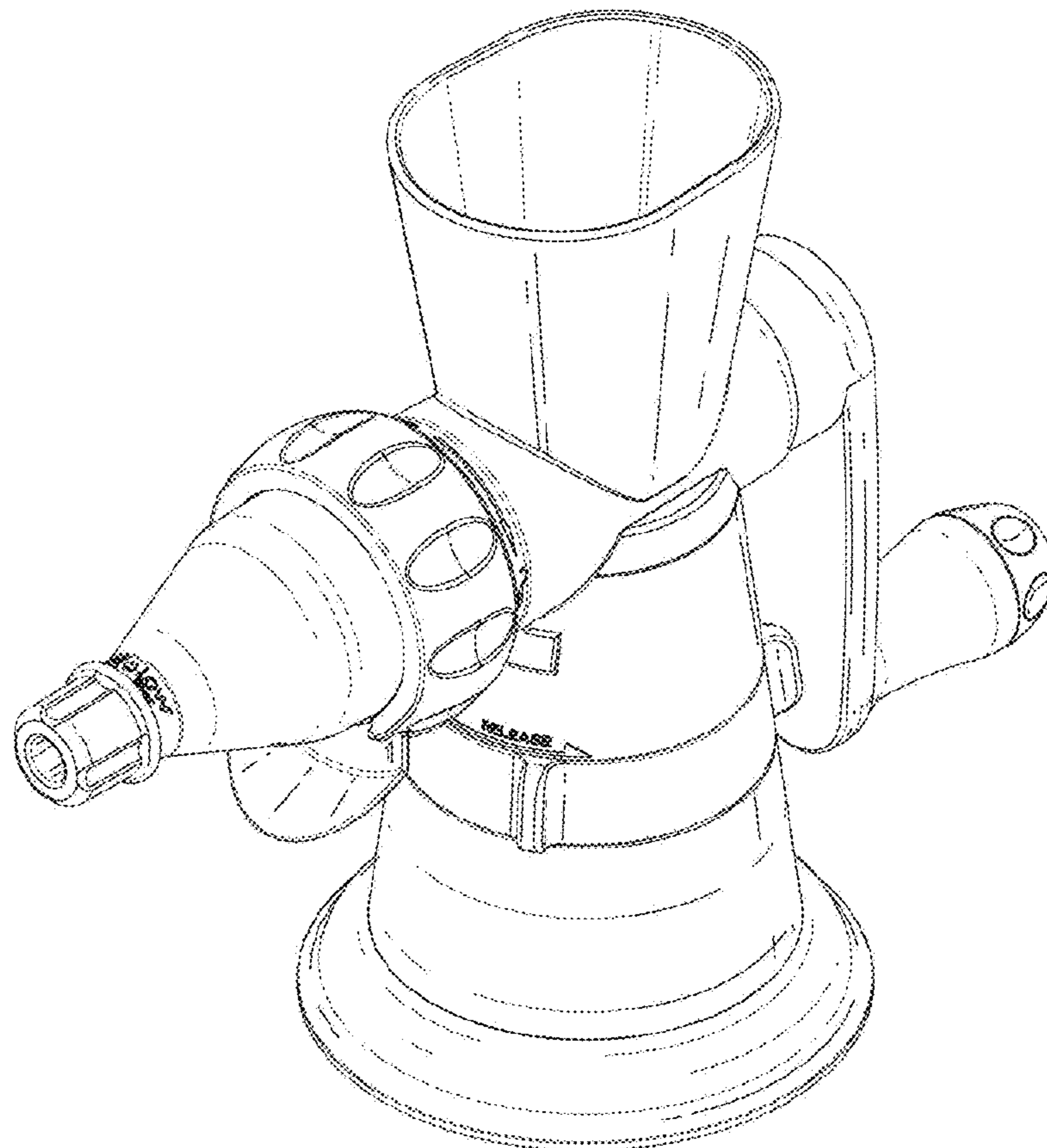
(57) **CLAIM**

The ornamental design for a manual juicer, as shown and described.

**DESCRIPTION**

FIG. 1 is a front view of a manual juicer of my new design; FIG. 2 is a back view of the manual juicer thereof; FIG. 3 is a left view of the manual juicer thereof; FIG. 4 is a right view of the manual juicer thereof; FIG. 5 is a top view of the manual juicer thereof; FIG. 6 is a bottom view of the manual juicer thereof; and, FIG. 7 is a perspective view of the manual juicer thereof.

**1 Claim, 5 Drawing Sheets**



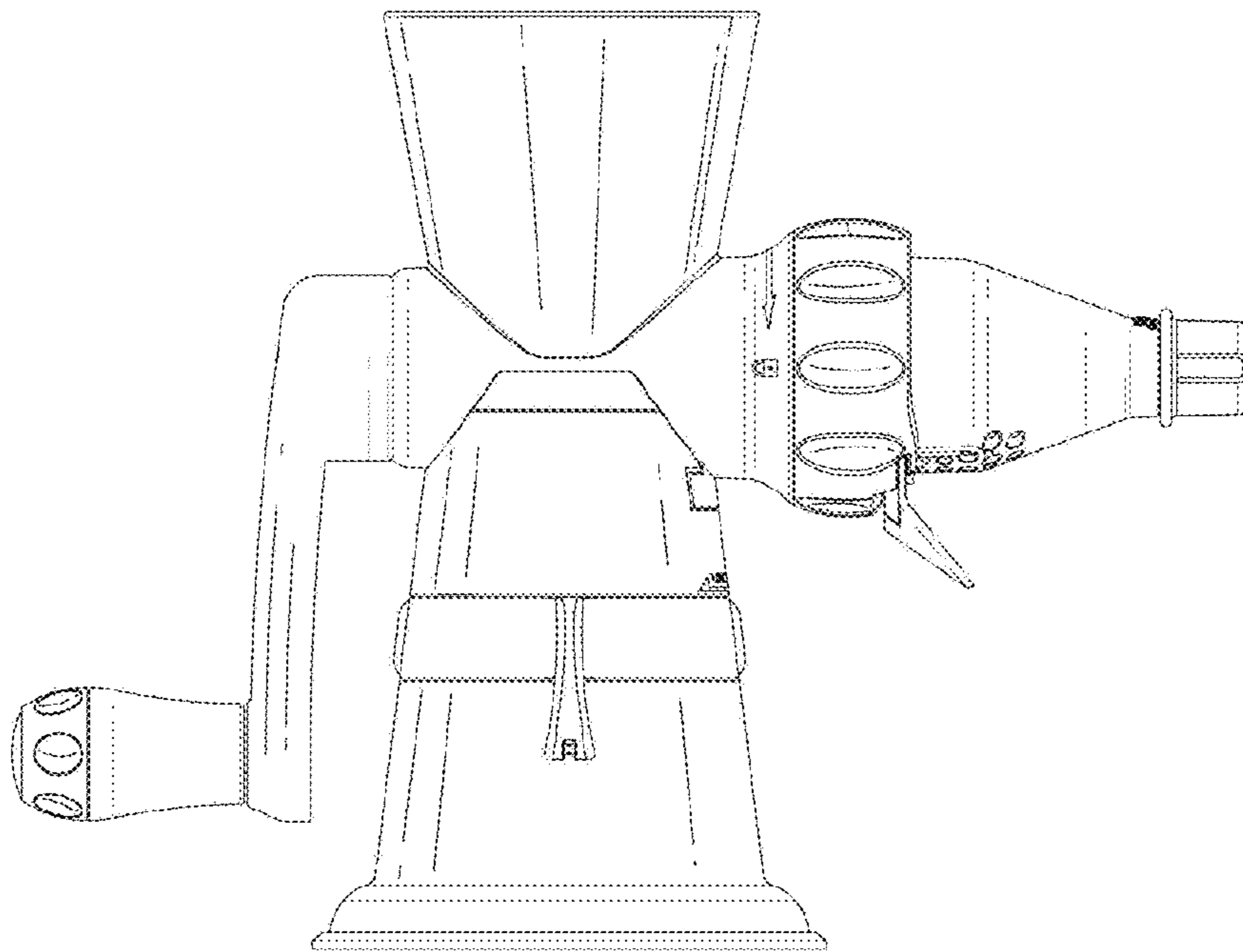


Fig. 1

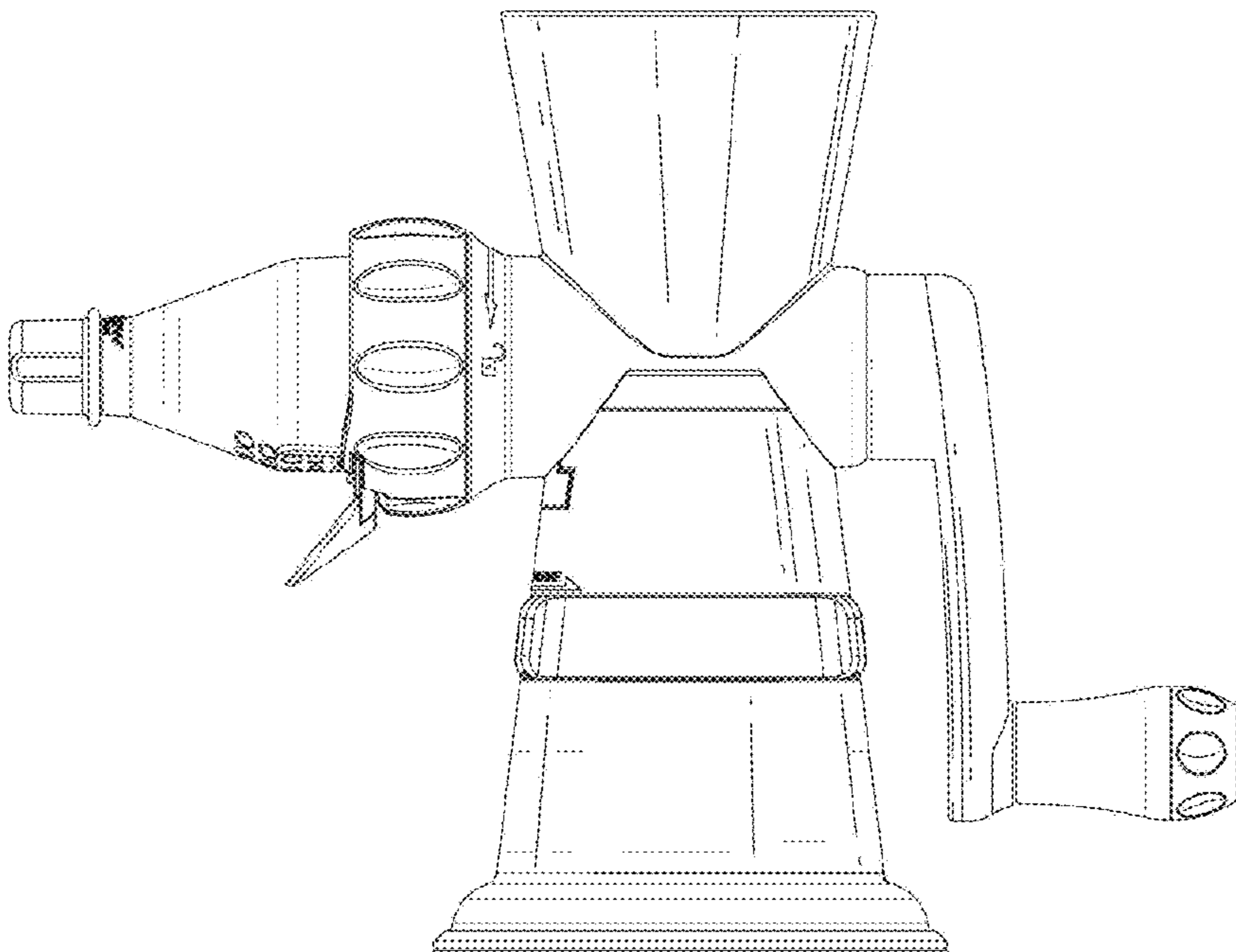


Fig. 2

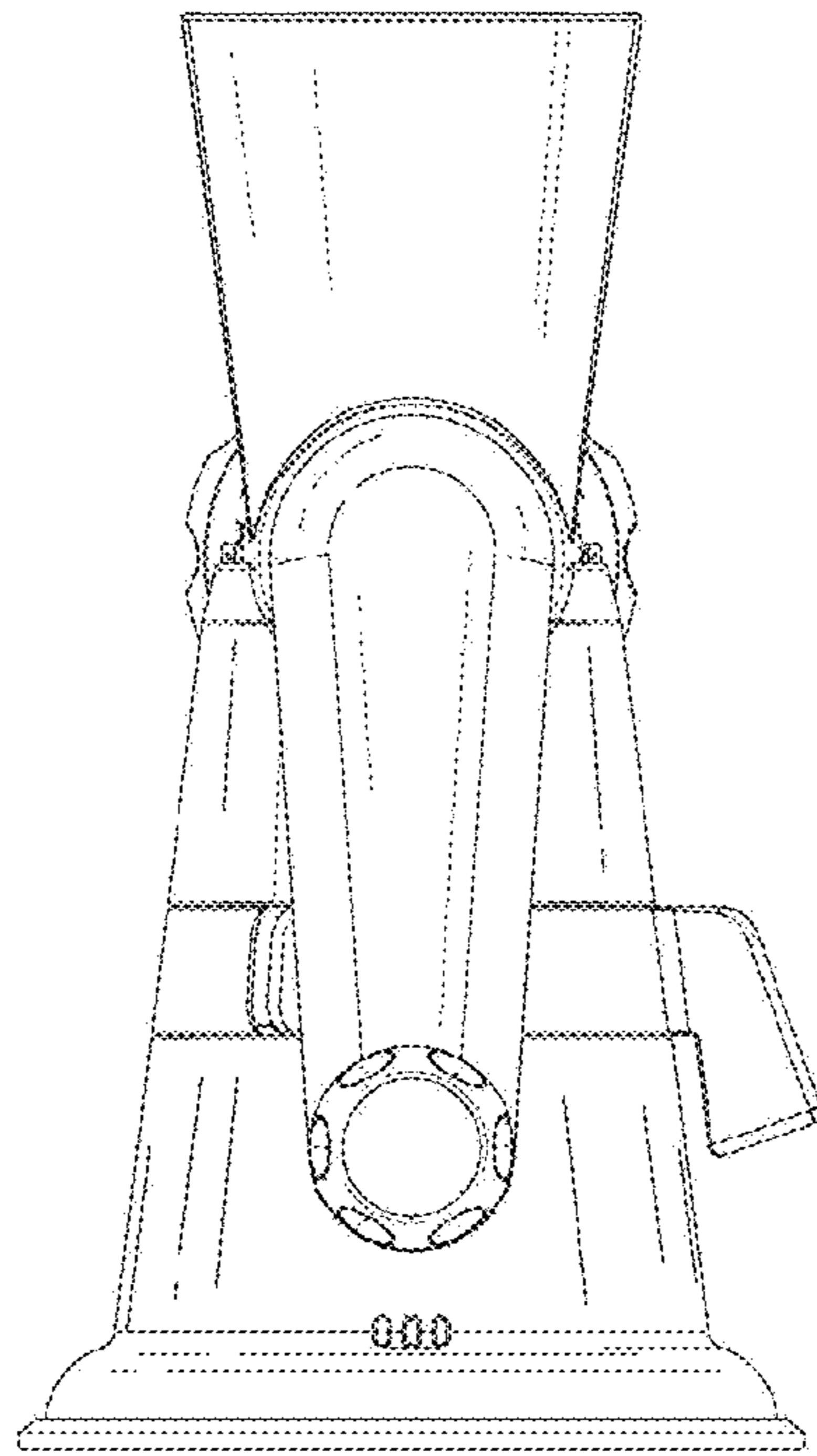


Fig. 3

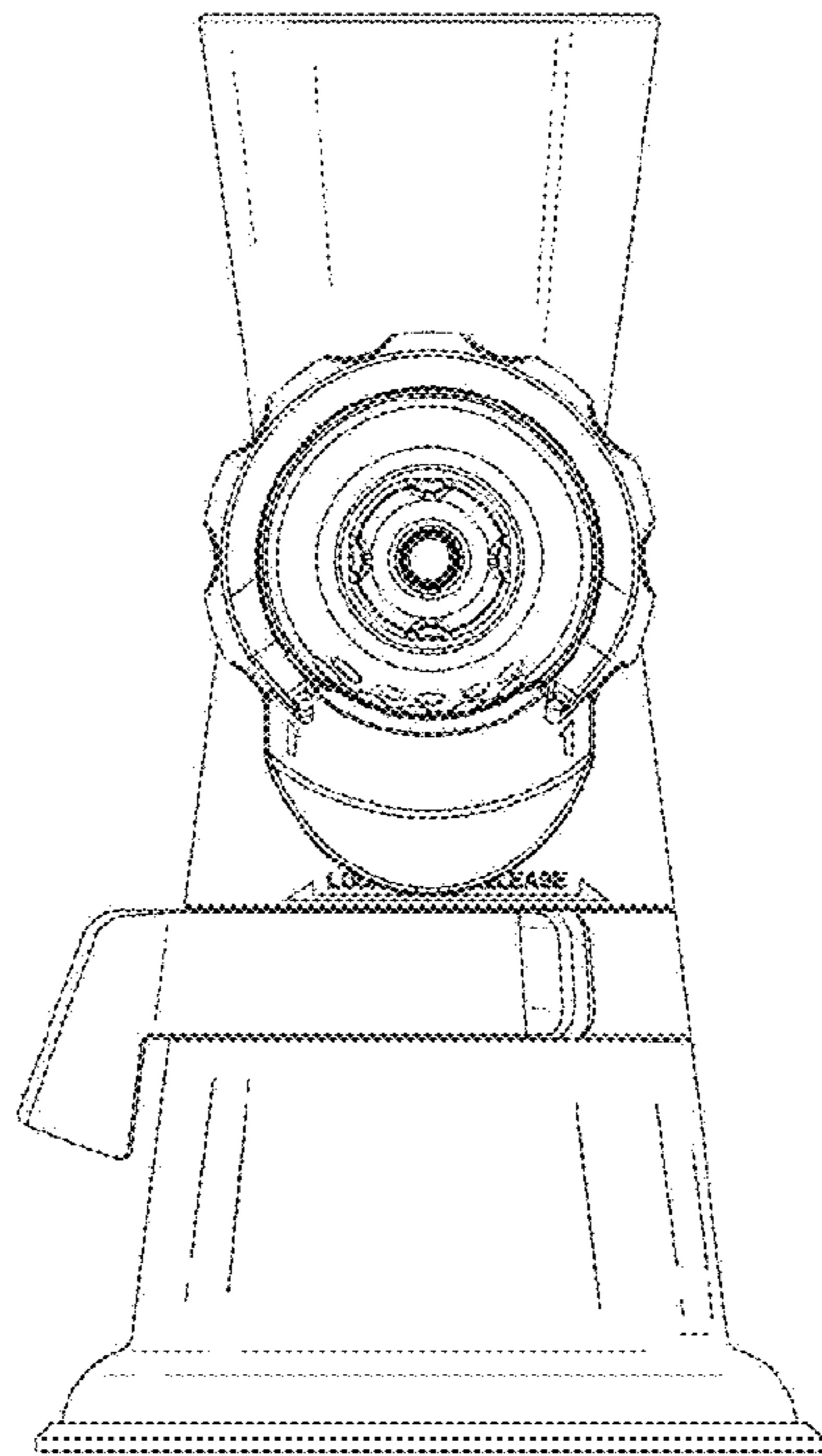


Fig. 4

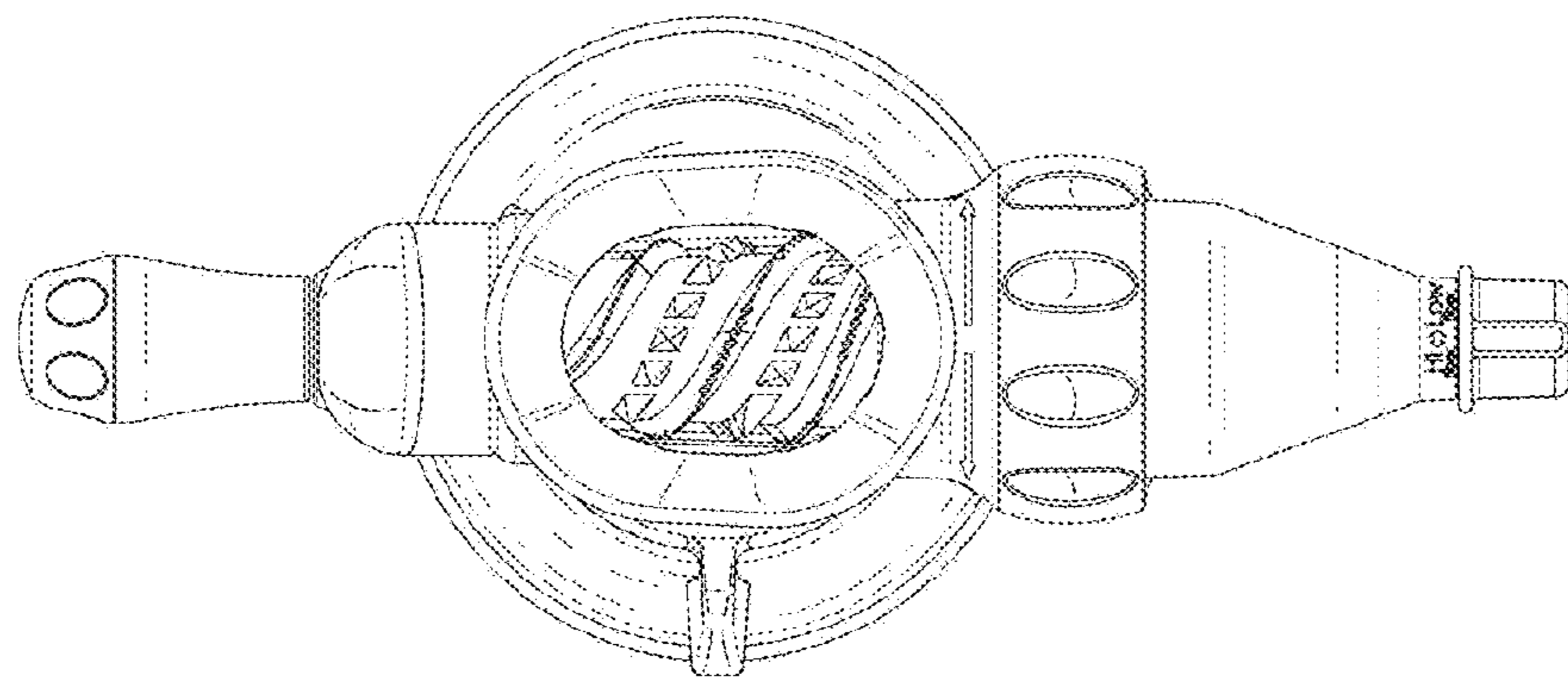


Fig. 5

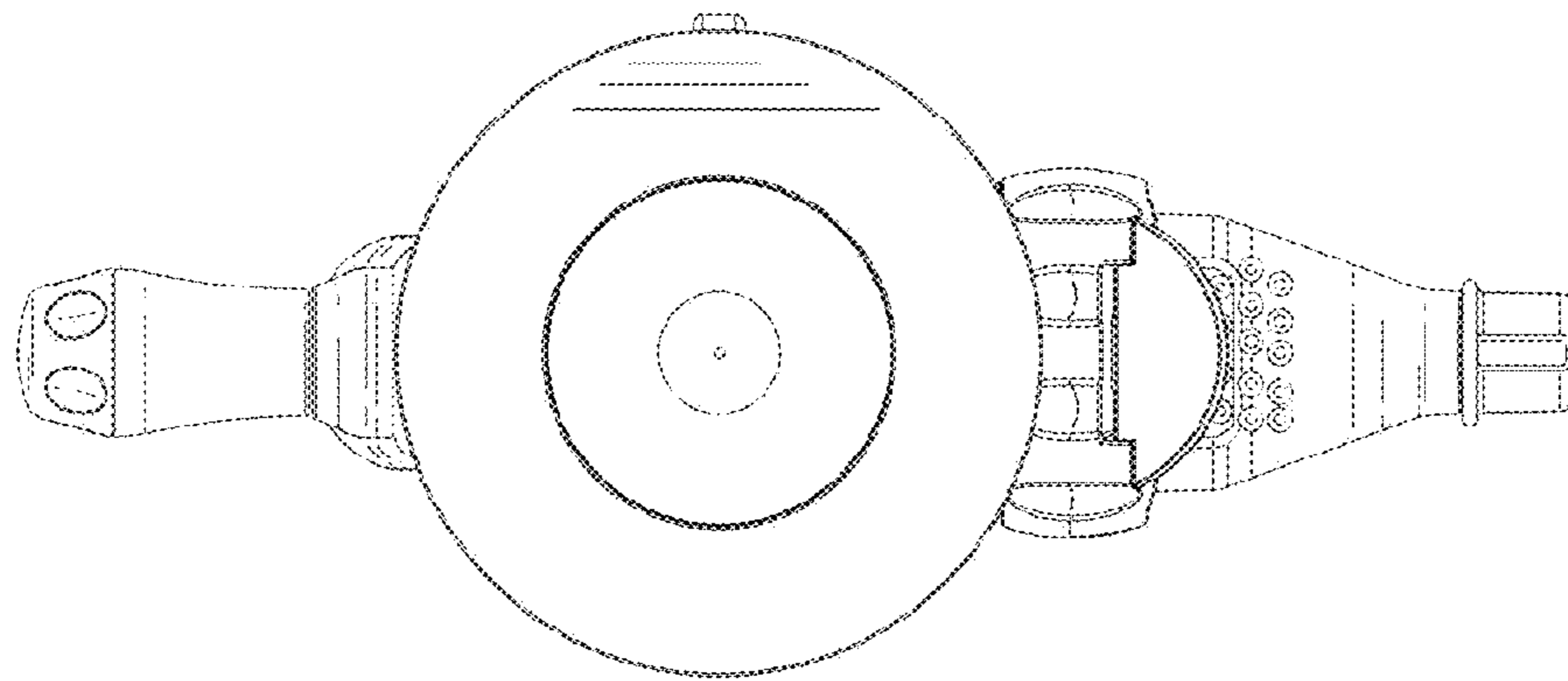


Fig. 6

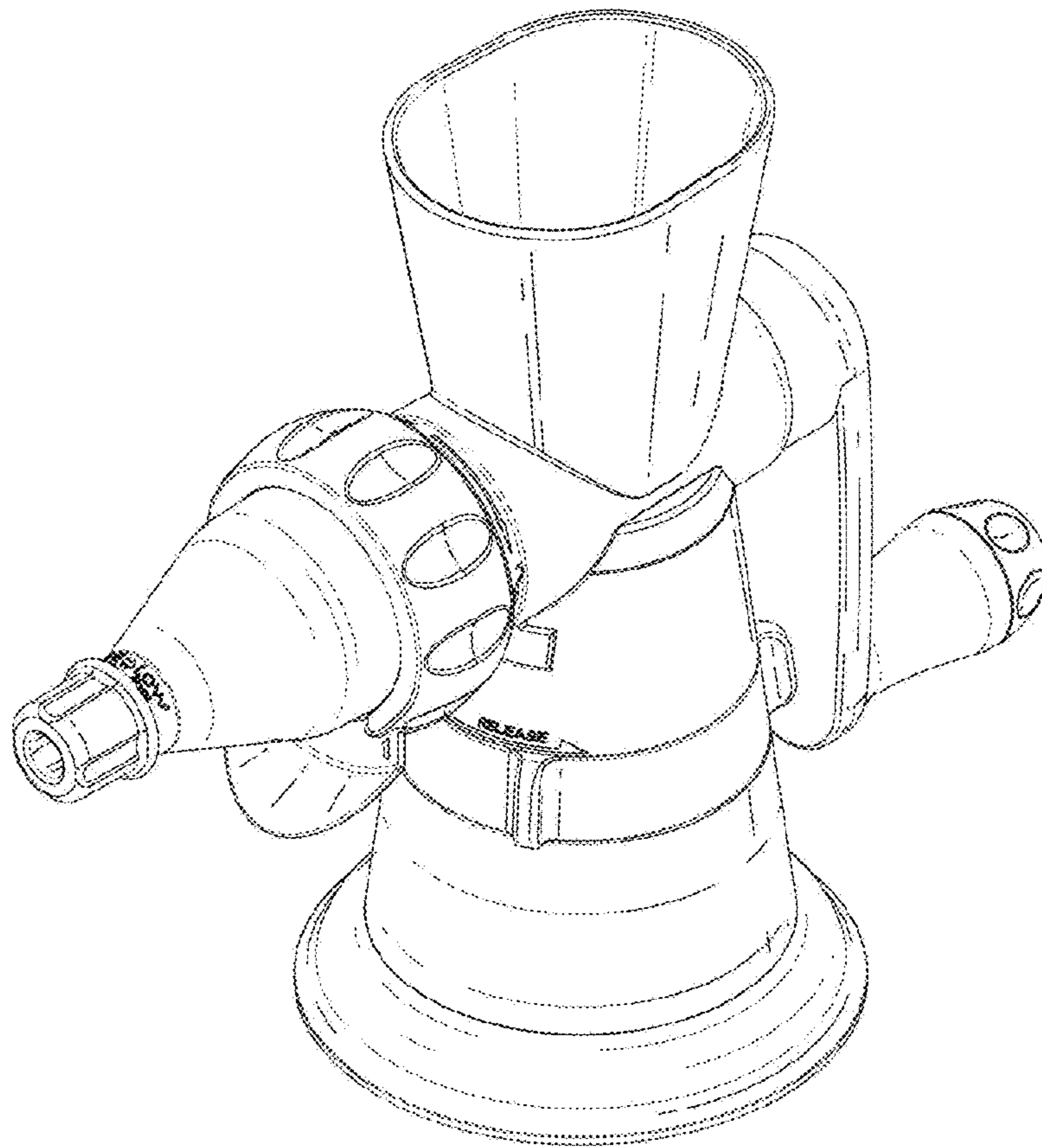


Fig. 7