



US00D717612S

(12) **United States Design Patent**  
**Ramirez**

(10) **Patent No.:** **US D717,612 S**  
(45) **Date of Patent:** **\*\* Nov. 18, 2014**

(54) **FOOD PRESS**

(71) Applicant: **Giancarlo Ramirez**, Cincinnati, OH  
(US)

(72) Inventor: **Giancarlo Ramirez**, Cincinnati, OH  
(US)

(73) Assignee: **Ramsco Diversified**, Cincinnati, OH  
(US)

(\*\*) Term: **14 Years**

(21) Appl. No.: **29/460,050**

(22) Filed: **Jul. 8, 2013**

(51) **LOC (10) Cl.** ..... **31-00**

(52) **U.S. Cl.**  
USPC ..... **D7/666**

(58) **Field of Classification Search**  
CPC ..... A47J 43/25; A47J 43/042; A47J 43/046  
USPC ..... D7/665, 666, 368, 669, 412, 376-386,  
D7/372-375; 241/92, 101.1-101.73,  
241/285.1-285.3, 36, 37.5, 100, 282.1;  
99/501-513, 495, 499, 348, 357, 349,  
99/279, 284, 369, 370, 496-497, 280, 290  
See application file for complete search history.

(56) **References Cited**

**U.S. PATENT DOCUMENTS**

3,537,691 A \* 11/1970 Miwa et al. .... 241/282.2  
D255,005 S \* 5/1980 Fuchs ..... D7/665

D316,212 S \* 4/1991 Seal, Jr. .... D7/665  
D331,176 S \* 11/1992 Green ..... D7/679  
D339,502 S \* 9/1993 Kamiyama ..... D7/384  
D479,666 S \* 9/2003 Barker ..... D7/378  
6,666,574 B1 \* 12/2003 Pryor ..... 366/205  
D537,303 S \* 2/2007 Stuckey ..... D7/665  
D551,915 S \* 10/2007 Chang Chien ..... D7/665  
8,109,668 B2 \* 2/2012 Garman et al. .... 366/205

\* cited by examiner

*Primary Examiner* — Terry Wallace

(74) *Attorney, Agent, or Firm* — Neal O. Willmann

(57) **CLAIM**

The ornamental design for the food press, as shown and described.

**DESCRIPTION**

FIG. 1 is a front side elevation view of a food press showing my new design;  
FIG. 2 is a left side elevation view thereof;  
FIG. 3 is a right side elevation view thereof;  
FIG. 4 is a back side elevation view thereof;  
FIG. 5 is a top plan view thereof;  
FIG. 6 is a bottom plan view thereof; and,  
FIG. 7 is the front side elevation view of FIG. 1 with the pistons of said press elevated and removed from the cylinders thereof showing the range of motion of said pistons.

**1 Claim, 6 Drawing Sheets**

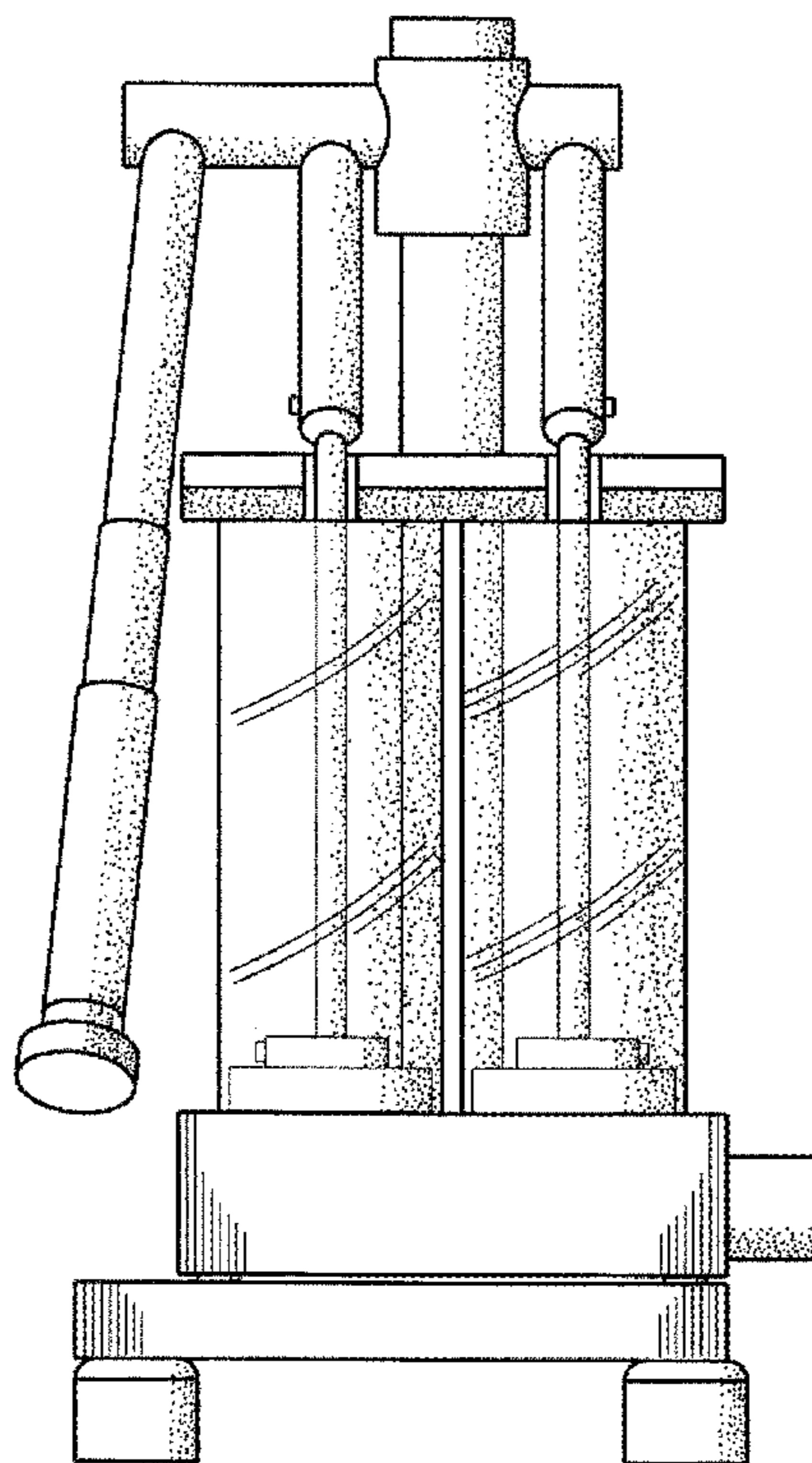


Fig. 1

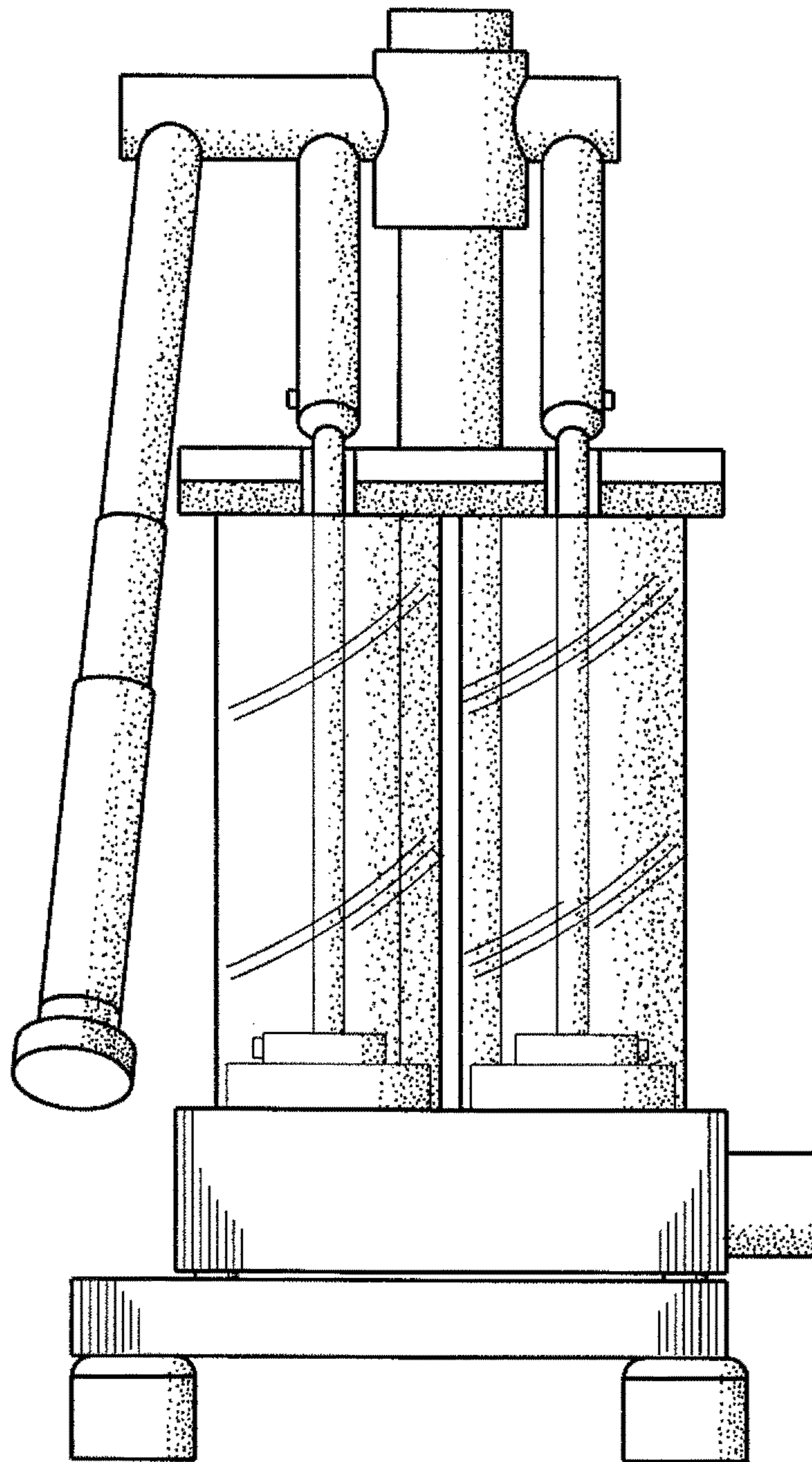


Fig. 2

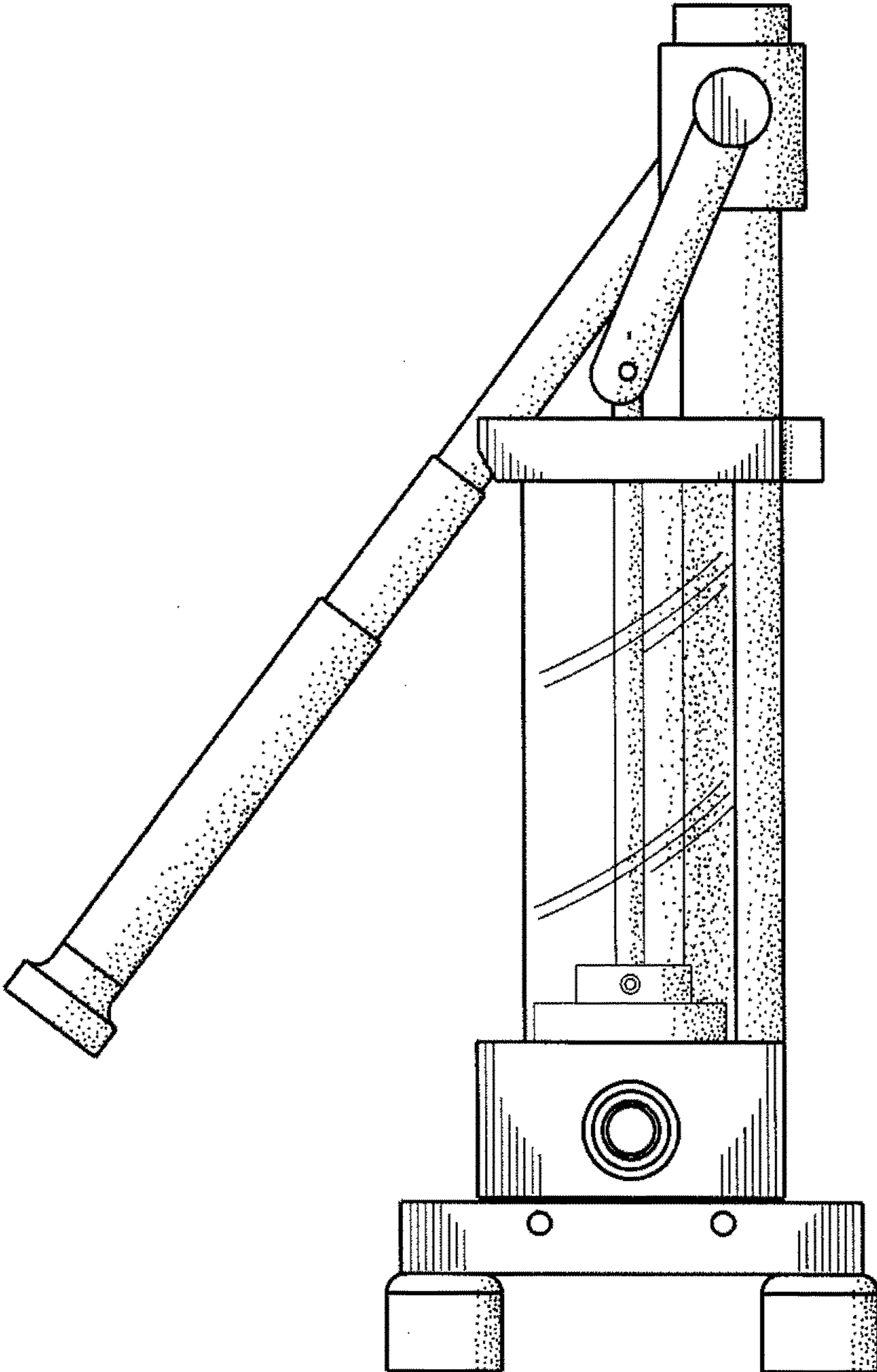


Fig. 3

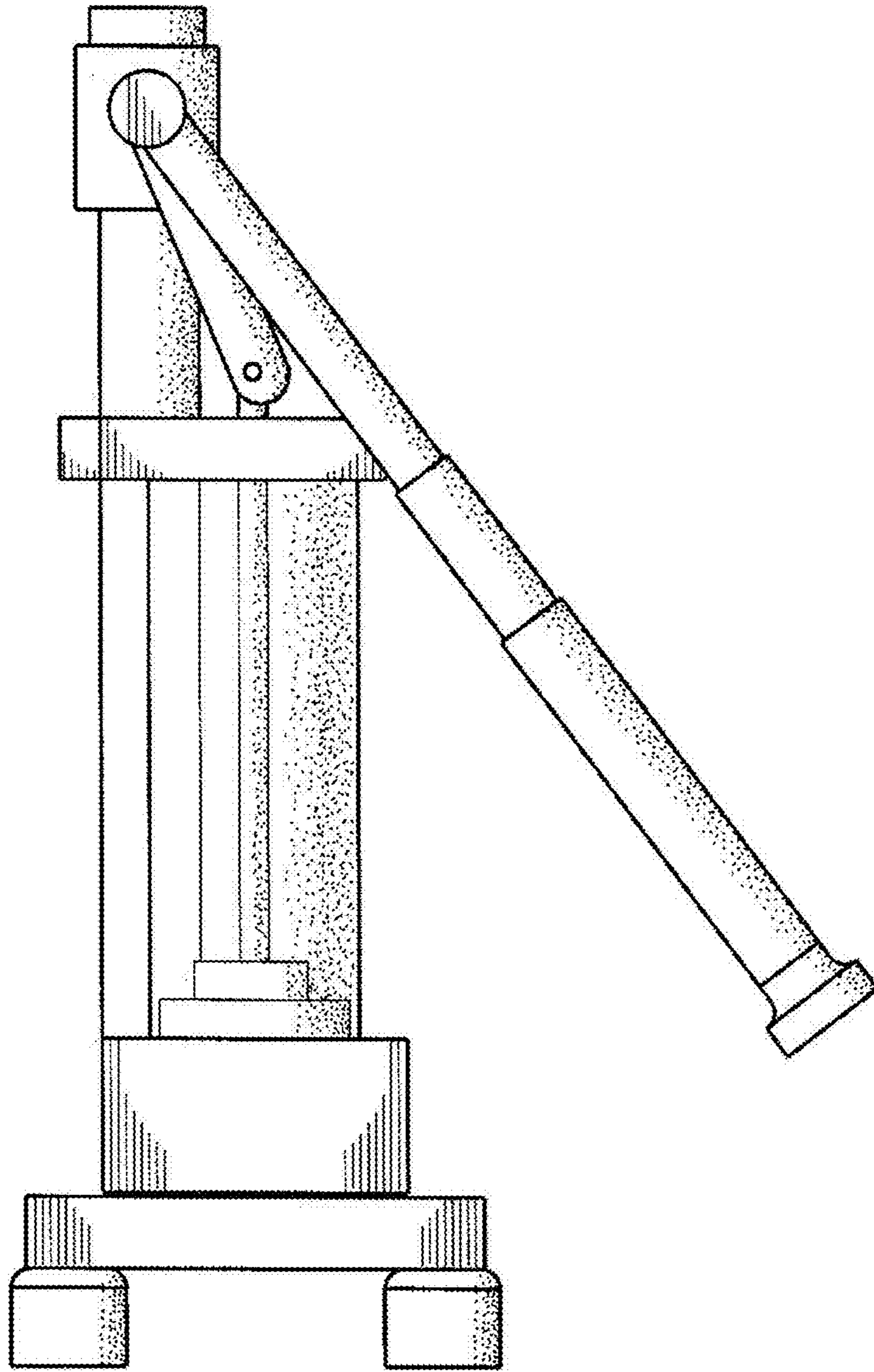


Fig. 4

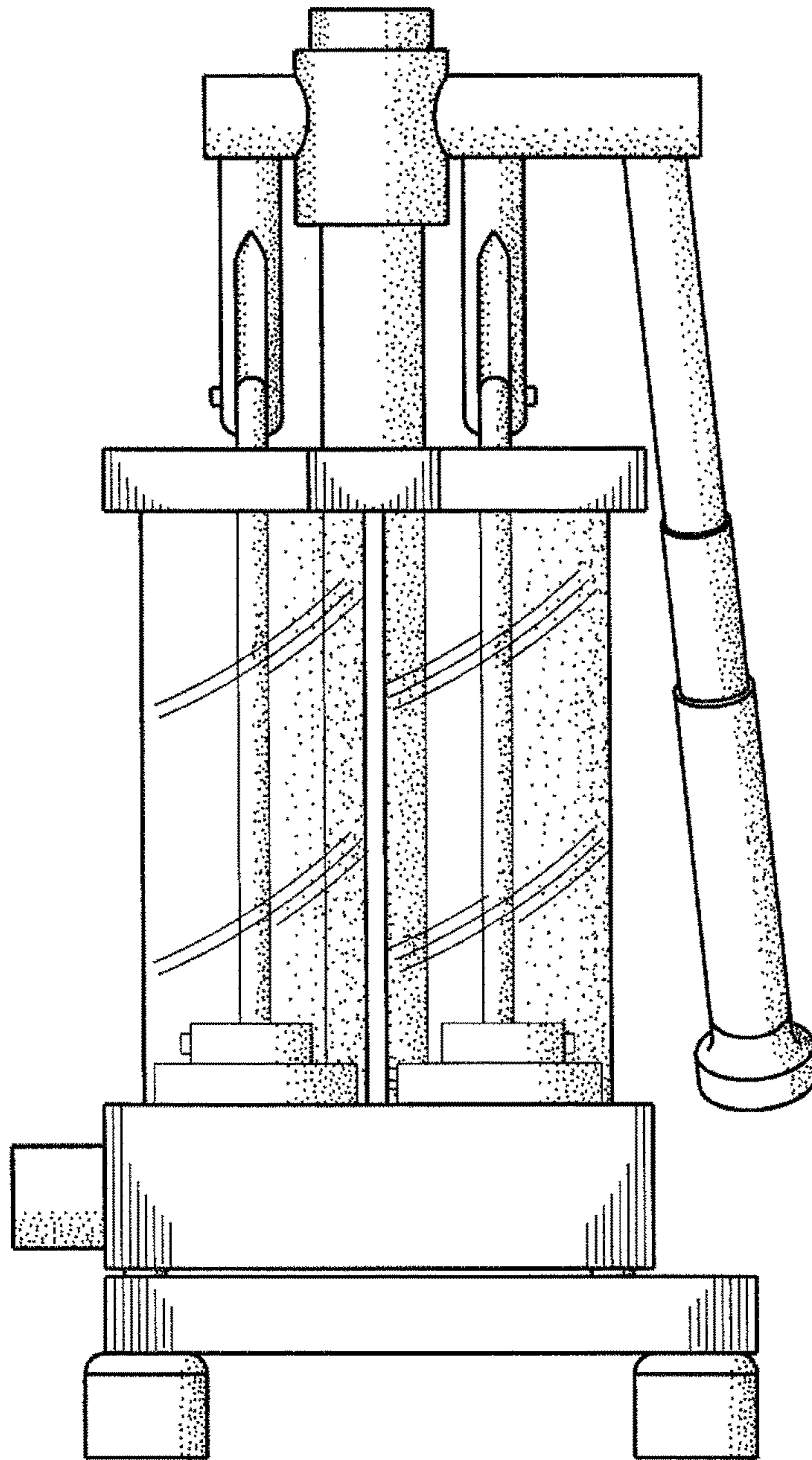


Fig. 5

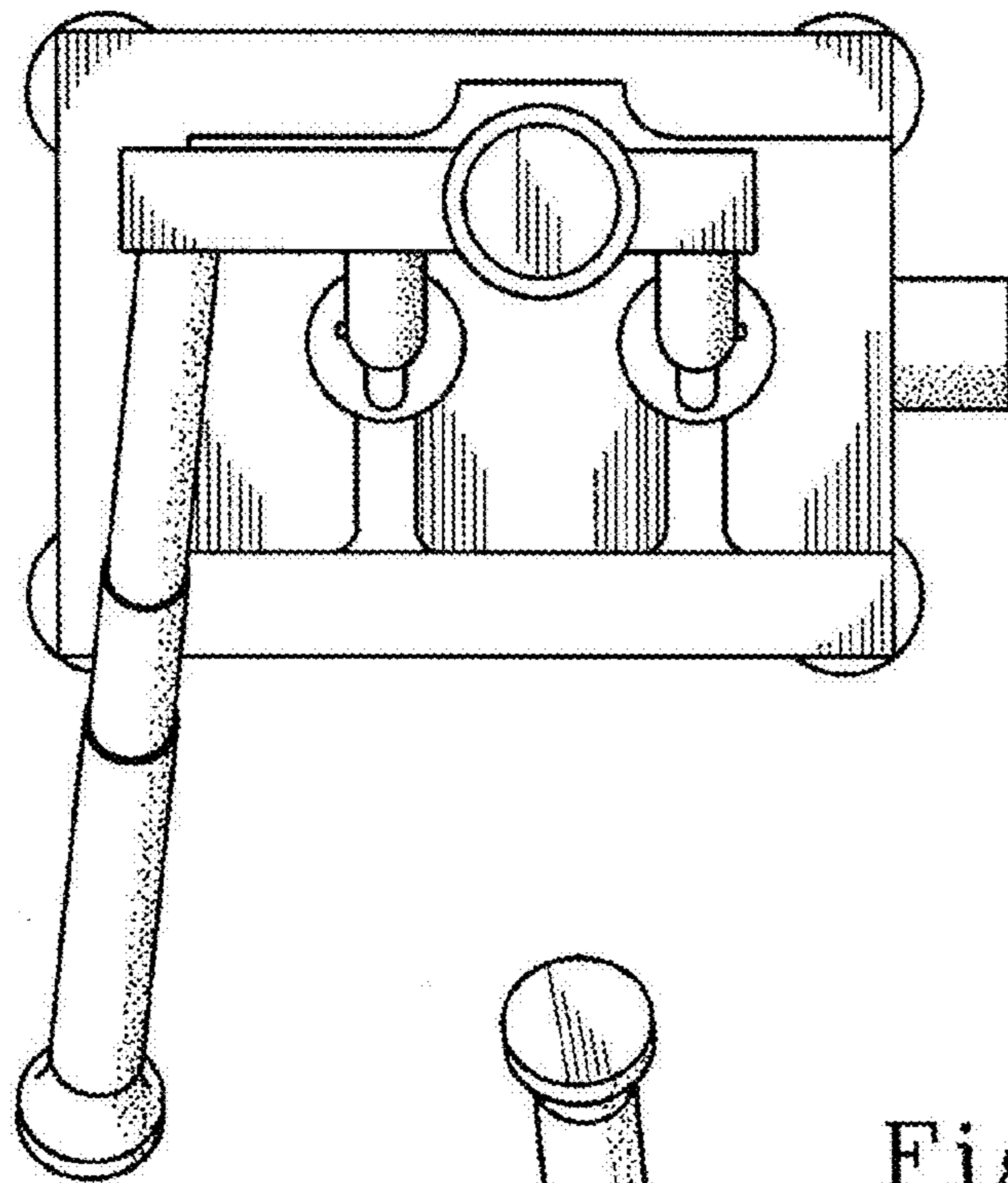


Fig. 6

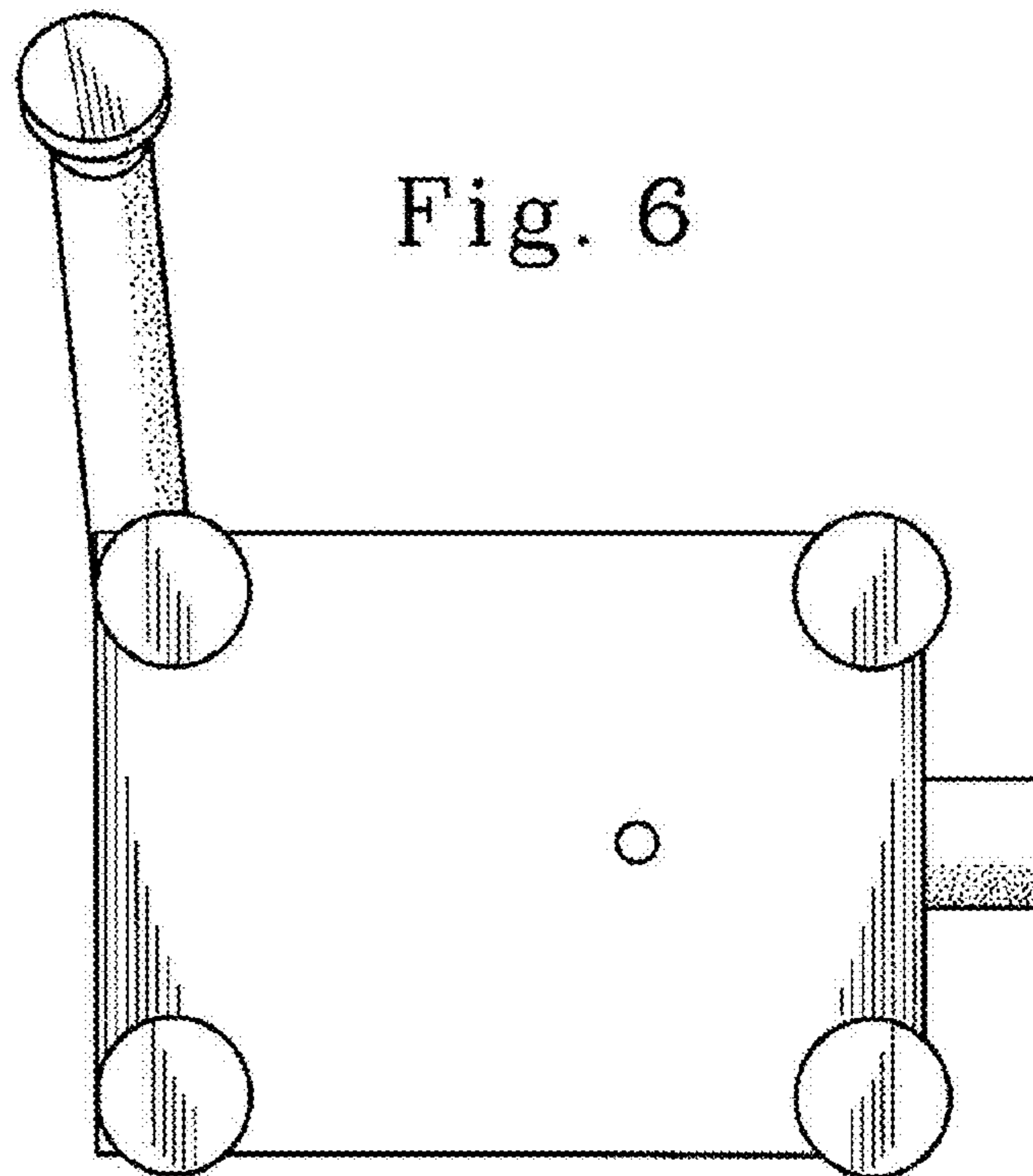


Fig. 7

