



US00D717611S

(12) **United States Design Patent**
Doron

(10) **Patent No.:** **US D717,611 S**

(45) **Date of Patent:** **** Nov. 18, 2014**

(54) **BEVERAGE COOLER**

(71) Applicant: **Ronen Doron**, Irvine, CA (US)

(72) Inventor: **Ronen Doron**, Irvine, CA (US)

(**) Term: **14 Years**

(21) Appl. No.: **29/447,725**

(22) Filed: **Mar. 6, 2013**

(51) **LOC (10) Cl.** **07-06**

(52) **U.S. Cl.**
USPC **D7/624.1**

(58) **Field of Classification Search**
CPC F25D 3/08
USPC D7/619.1-625, 388; 220/737, 666;
119/61.52; 62/457.1-457.9;
248/346.11, 346.01; 215/394

See application file for complete search history.

(56) **References Cited**

U.S. PATENT DOCUMENTS

- 3,757,852 A * 9/1973 Allinger 62/457.2
- D330,995 S * 11/1992 Hartman et al. D7/619.1
- 6,047,849 A * 4/2000 Schwegman et al. 220/737

- 6,786,062 B1 * 9/2004 Greenberg 62/457.4
- D505,595 S * 5/2005 Kujawski et al. D7/619.1
- D516,872 S * 3/2006 Rigberg et al. D7/619.1
- D523,293 S * 6/2006 Disbrow et al. D7/619.1
- D677,128 S * 3/2013 Roesser D7/625
- 2006/0075770 A1 * 4/2006 Lefkowitz et al. 62/457.4

* cited by examiner

Primary Examiner — Terry Wallace

(74) *Attorney, Agent, or Firm* — Kelly & Kelley, LLP

(57) **CLAIM**

The ornamental design for a beverage cooler, as shown and described.

DESCRIPTION

FIG. 1 is a perspective view of a beverage cooler embodying my new design, wherein a cup held within the beverage cooler is shown in phantom;

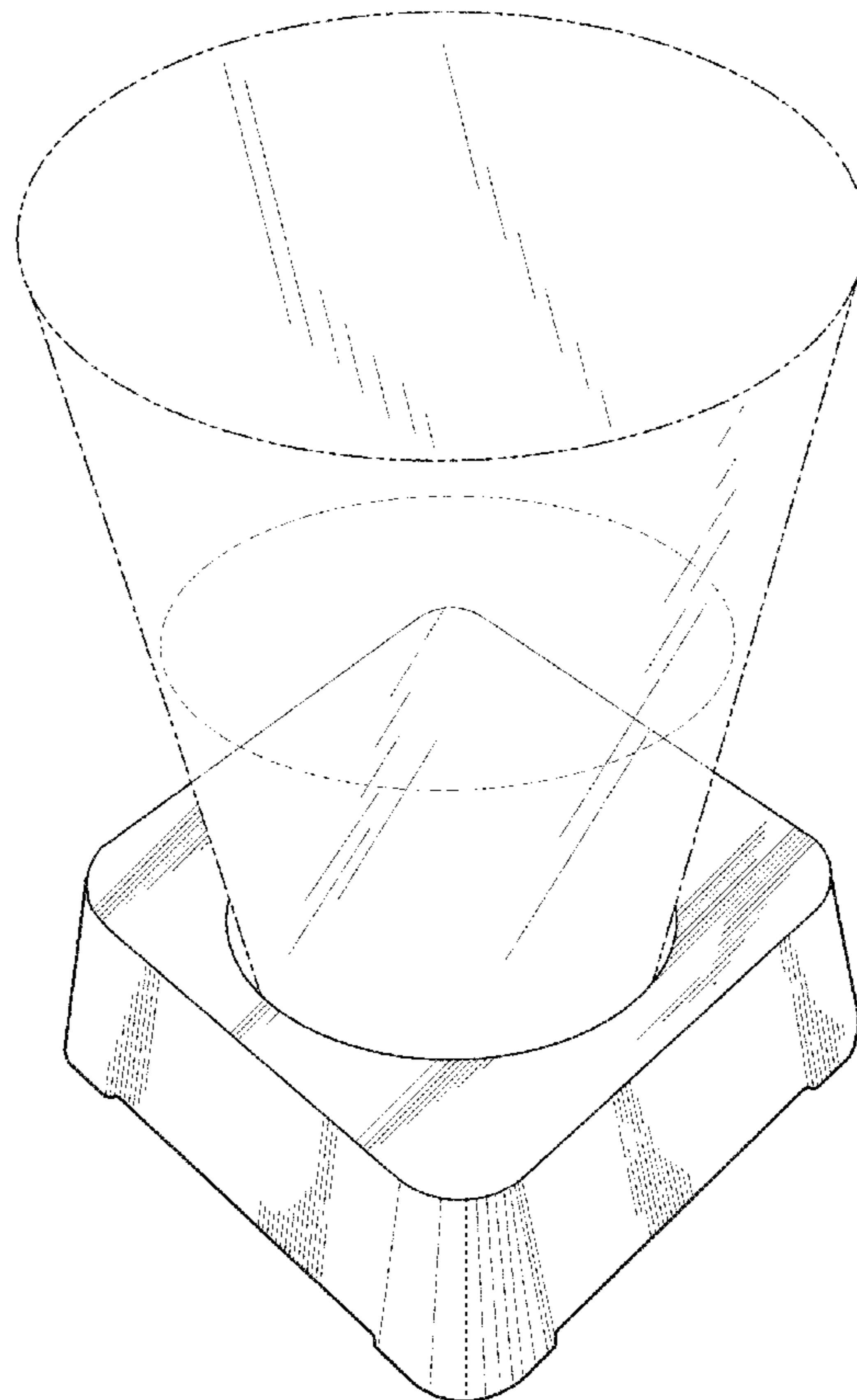
FIG. 2 is a top elevational view thereof;

FIG. 3 is a sectional view taken generally along the line 3-3 of FIG. 2;

FIG. 4 is side elevational view thereof; and,

FIG. 5 is a bottom plan view thereof.

1 Claim, 3 Drawing Sheets



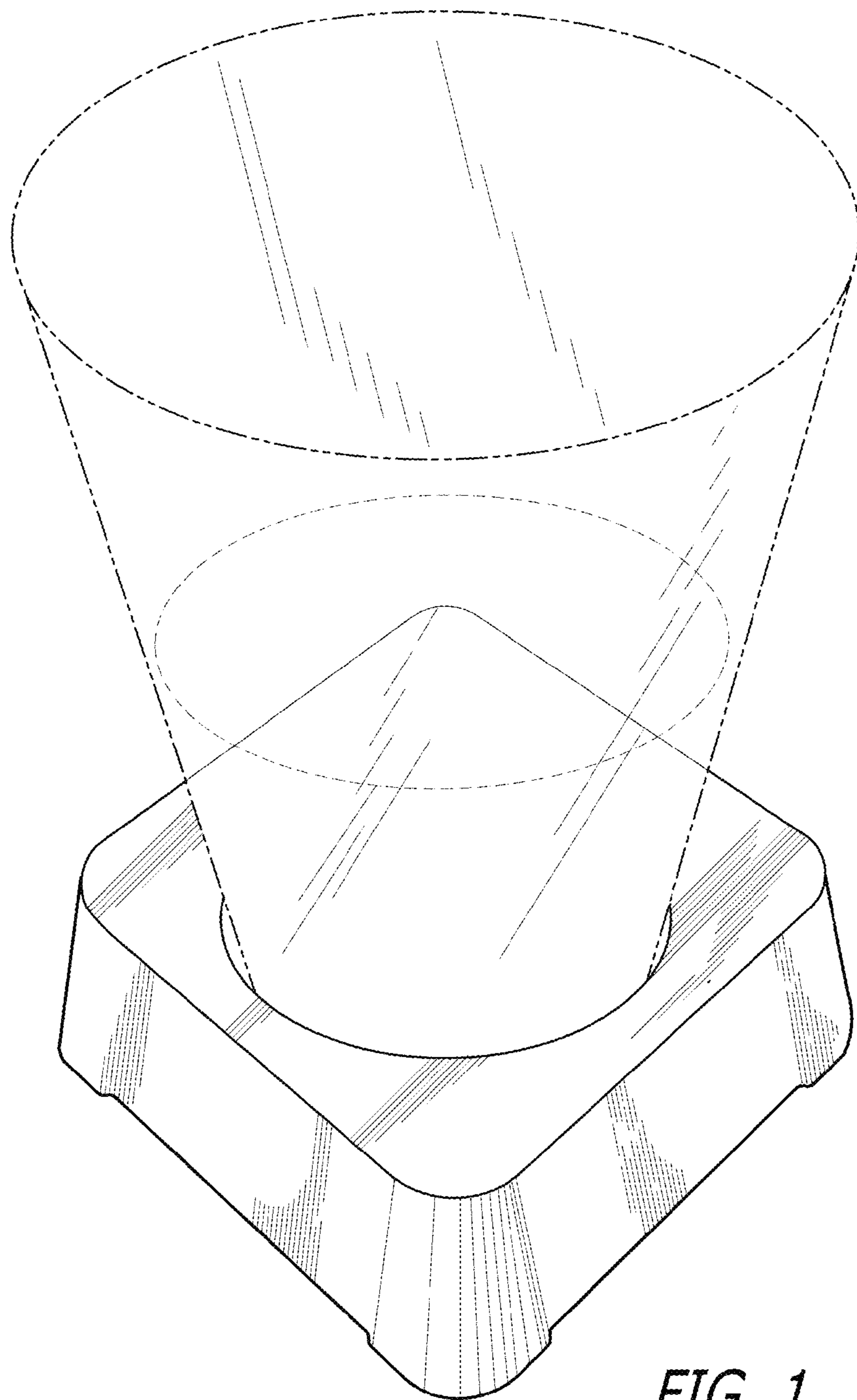


FIG. 1

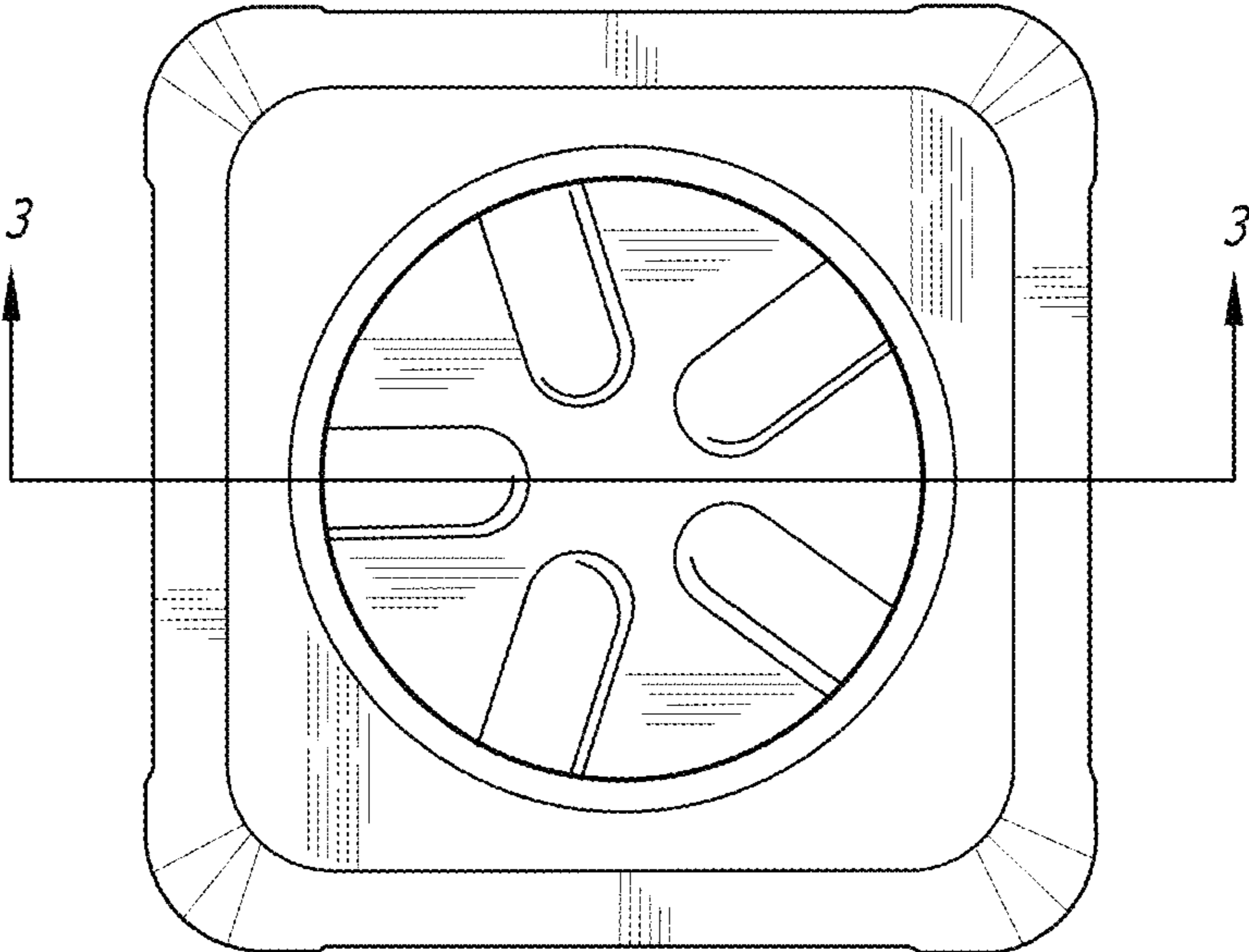


FIG. 2

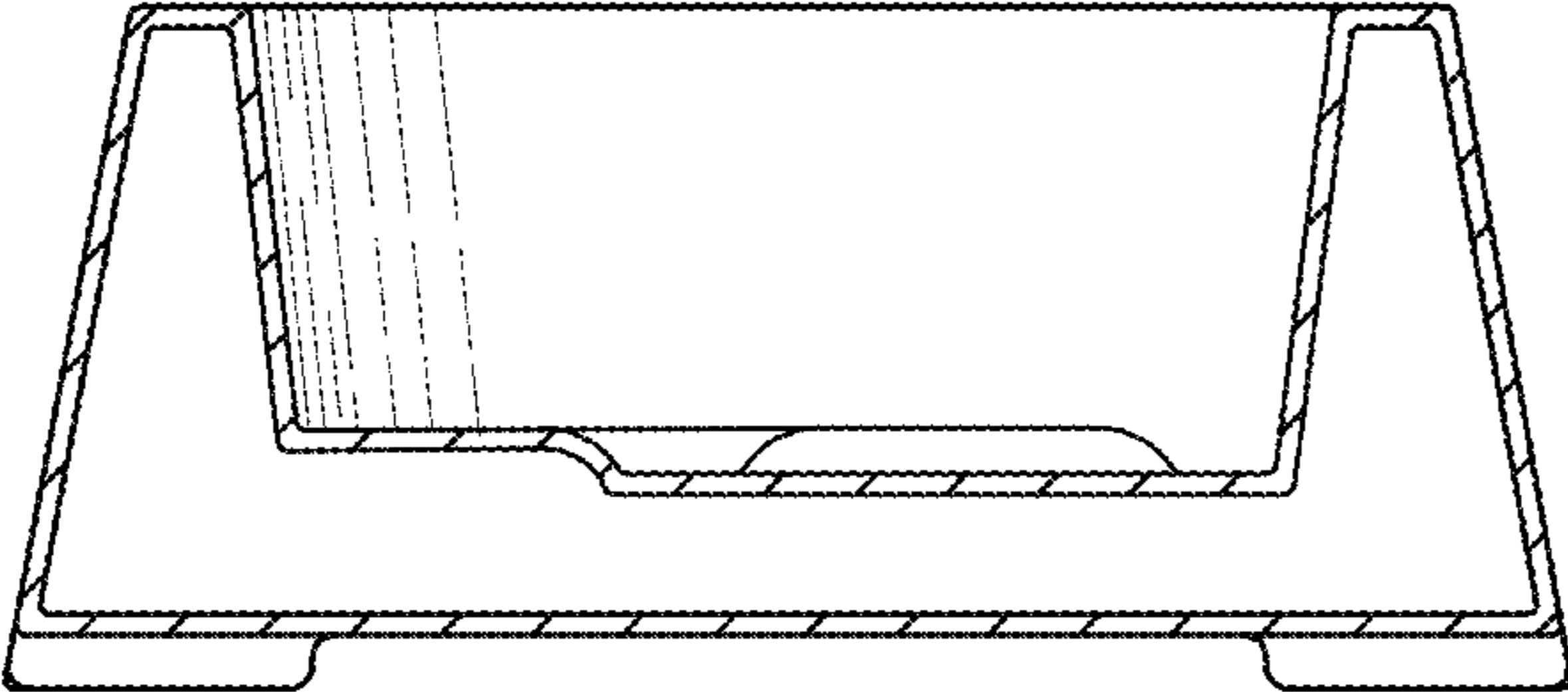


FIG. 3

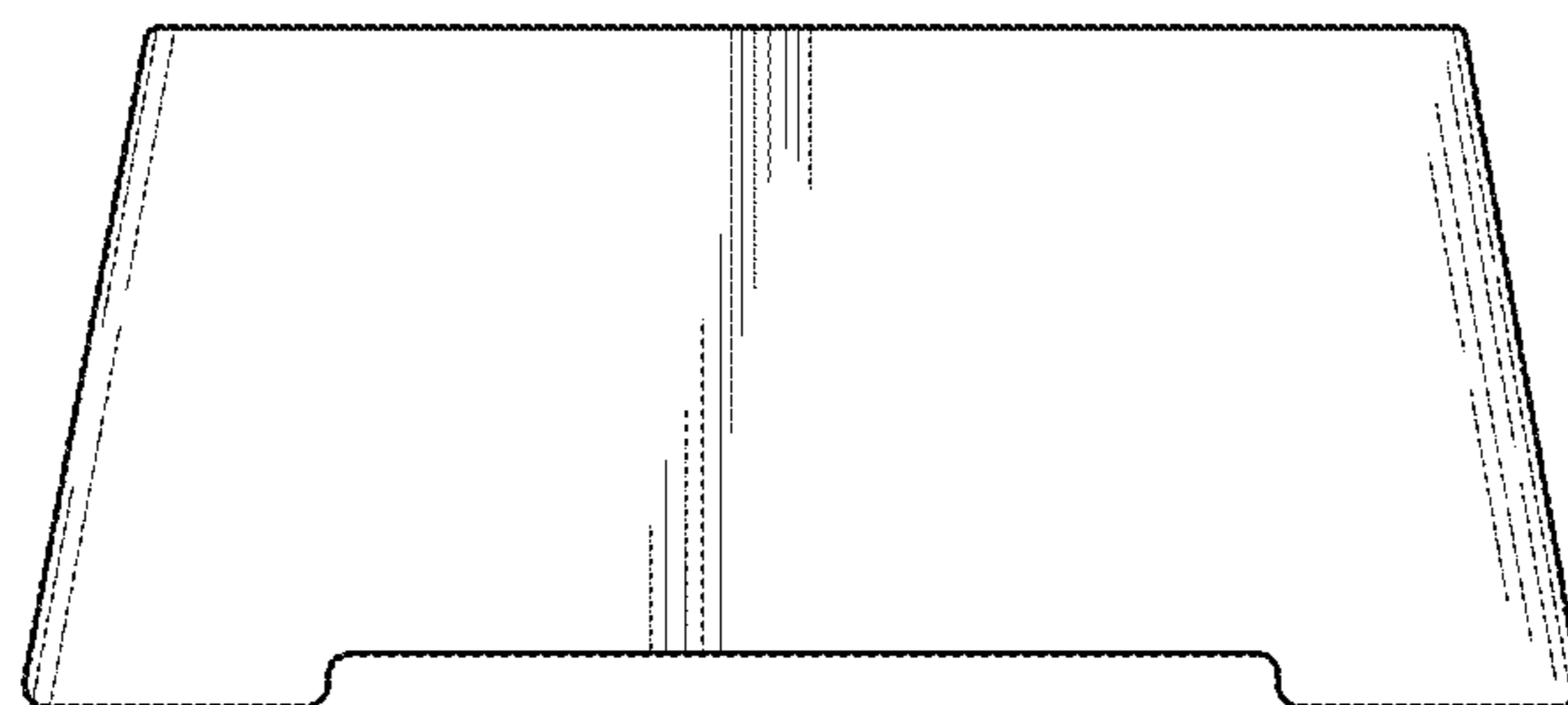


FIG. 4

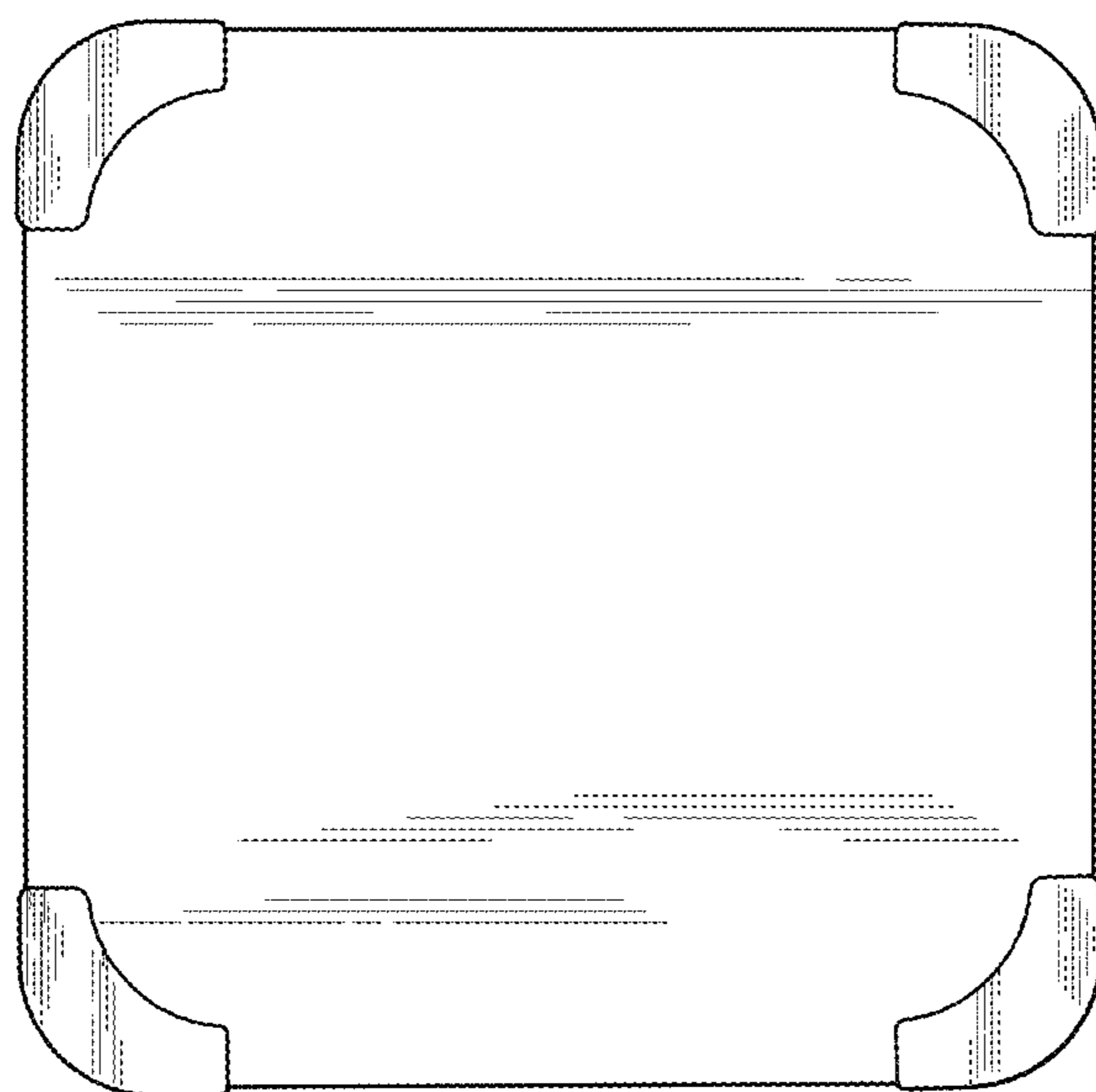


FIG. 5