



US00D717603S

(12) **United States Design Patent**
Federighi

(10) **Patent No.:** **US D717,603 S**

(45) **Date of Patent:** **** Nov. 18, 2014**

(54) **MARTINI GLASS**

(71) Applicant: **William Federighi**, Novato, CA (US)

(72) Inventor: **William Federighi**, Novato, CA (US)

(**) Term: **14 Years**

(21) Appl. No.: **29/490,805**

(22) Filed: **May 13, 2014**

(51) **LOC (10) Cl.** **07-01**

(52) **U.S. Cl.**
USPC **D7/523; D7/509**

(58) **Field of Classification Search**
USPC D7/524, 537, 528, 526, 523, 530, 531,
D7/396.2, 396.1, 509; D9/500; 220/501,
220/703; 215/6, 10, 374, 377, 372;
D11/152, 154; D26/22

See application file for complete search history.

(56) **References Cited**

U.S. PATENT DOCUMENTS

D15,058 S *	6/1884	Oho	D7/528
D95,903 S *	6/1935	Fenton	D7/523
2,143,027 A *	1/1939	Perry	215/374
D157,492 S *	2/1950	Heintze	D7/531
D200,673 S *	3/1965	Warden et al.	D9/436
D221,135 S *	7/1971	Schorer et al.	D7/531

D285,032 S *	8/1986	Alonzo	D7/523
D471,404 S *	3/2003	Gady	D7/523
D506,355 S *	6/2005	Donnellan et al.	D7/524
D515,359 S *	2/2006	Andrews	D7/524
D527,223 S *	8/2006	Thun	D7/524
D527,233 S *	8/2006	Burke, III	D8/20
D539,611 S *	4/2007	Wasserman et al.	D7/586
D561,534 S *	2/2008	Marks	D7/523
D564,894 S *	3/2008	Buoy	D9/600
D698,649 S *	2/2014	Quint	D9/500
D705,064 S *	5/2014	Sy	D9/500

* cited by examiner

Primary Examiner — Marianne Pandozzi

(74) *Attorney, Agent, or Firm* — Howard Cohen

(57) **CLAIM**

The ornamental design for a martini glass, as shown.

DESCRIPTION

FIG. 1 is a perspective view of the above front of the martini glass.

FIG. 2 is a front view of the martini glass.

FIG. 3 is a side view of the martini glass.

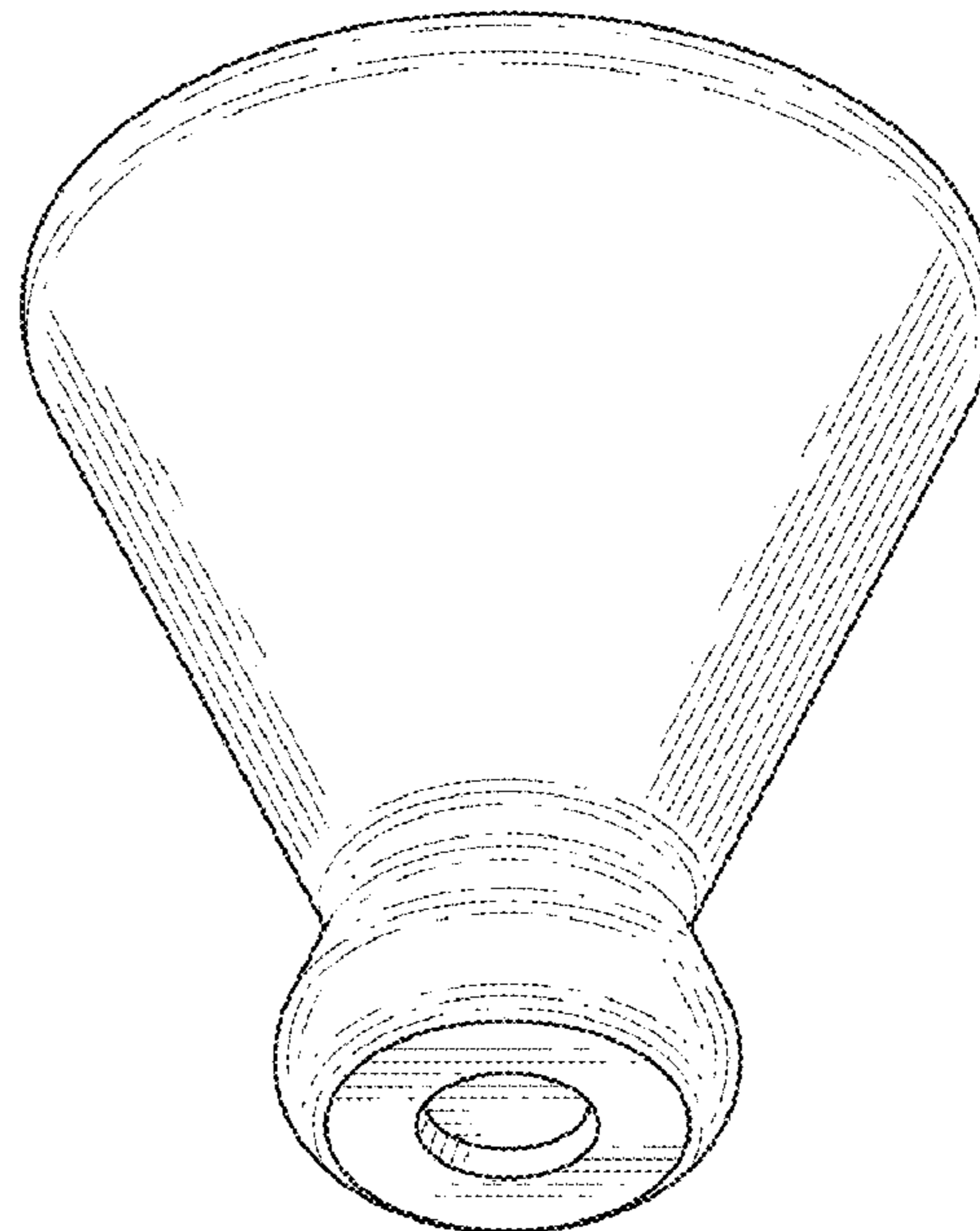
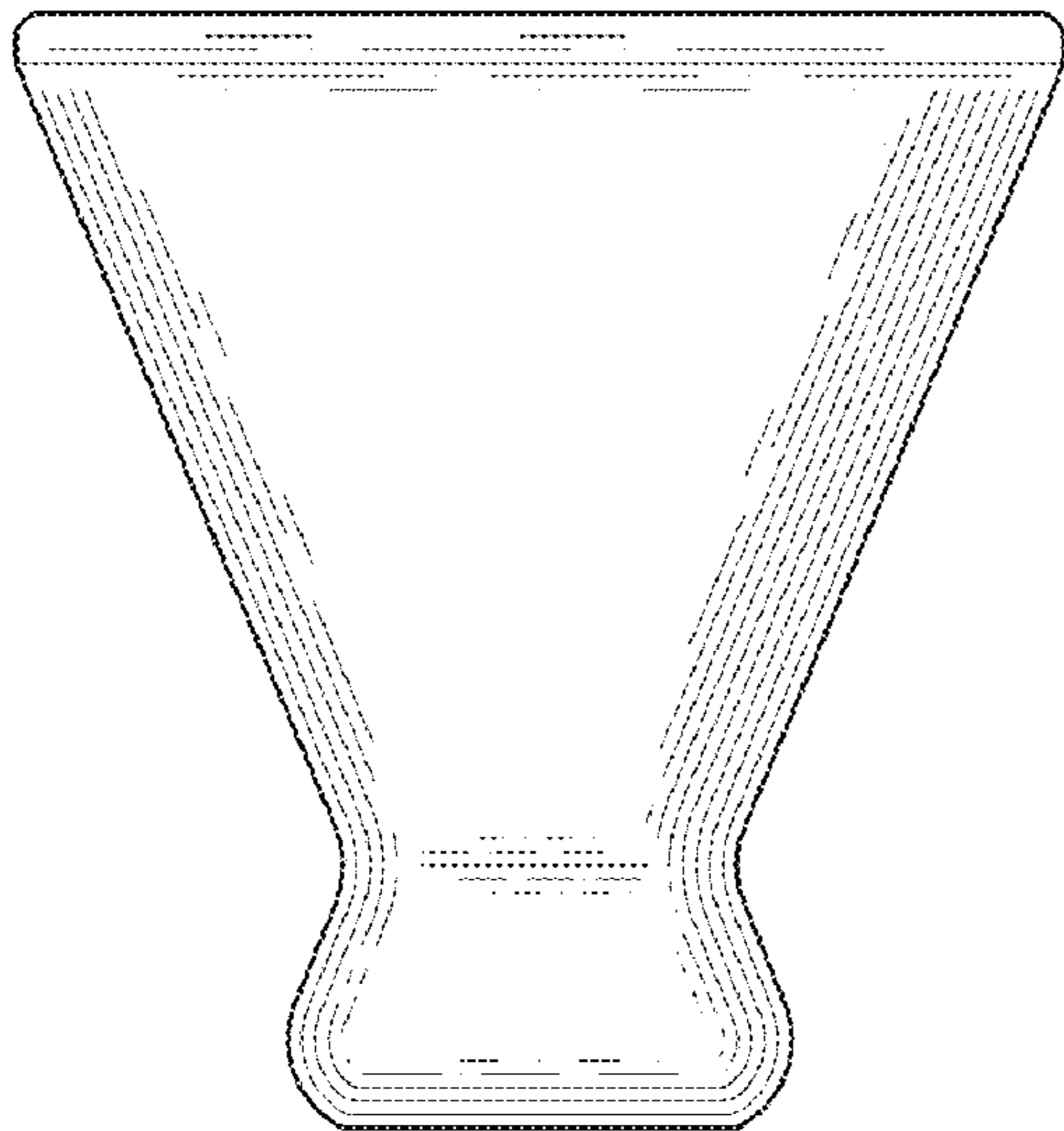
FIG. 4 is a top view of the martini glass.

FIG. 5 is a bottom view of the martini glass; and,

FIG. 6 is a perspective view from the bottom front of the martini glass.

The article is an open container used for carrying and drinking liquids.

1 Claim, 1 Drawing Sheet



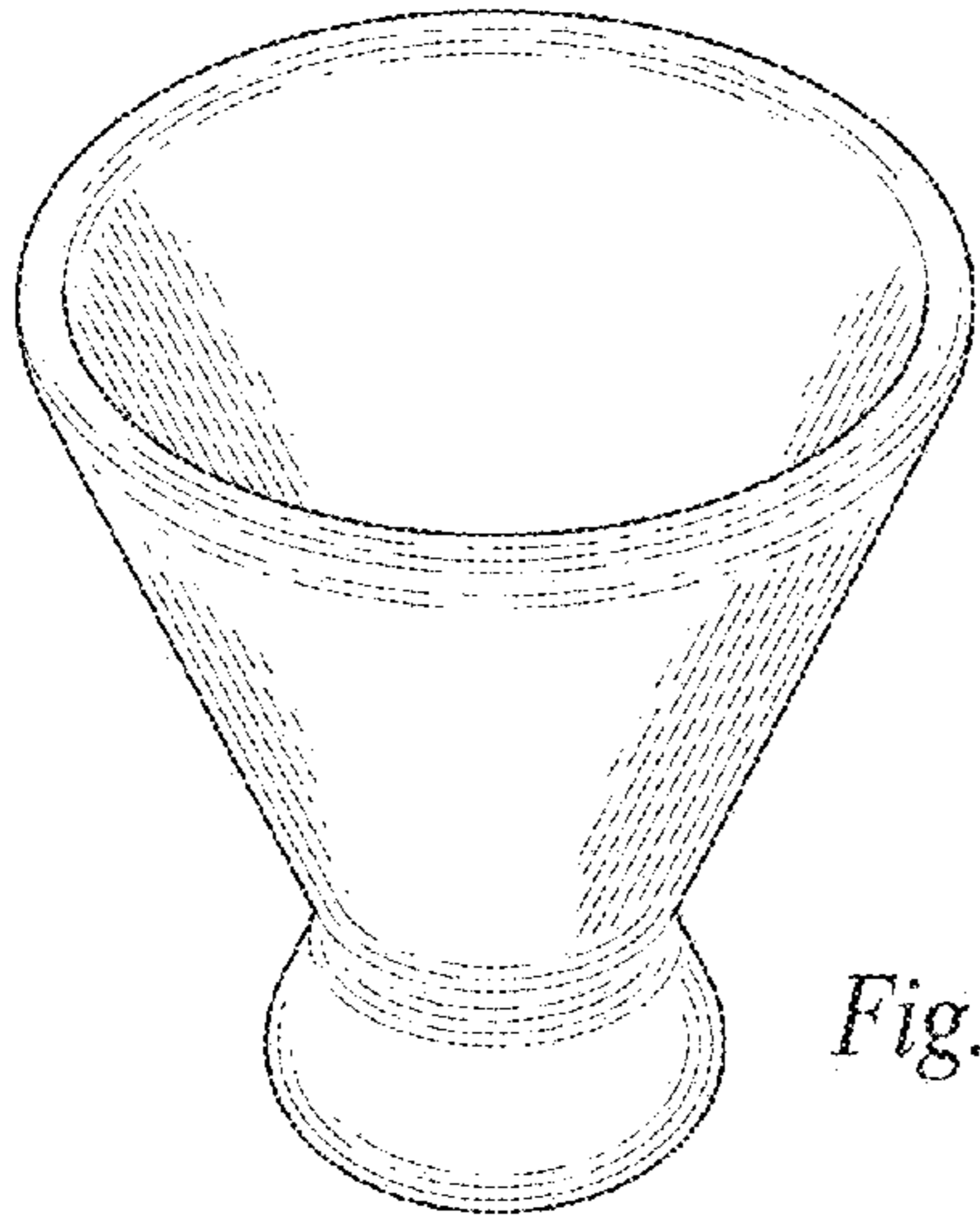


Fig. 1

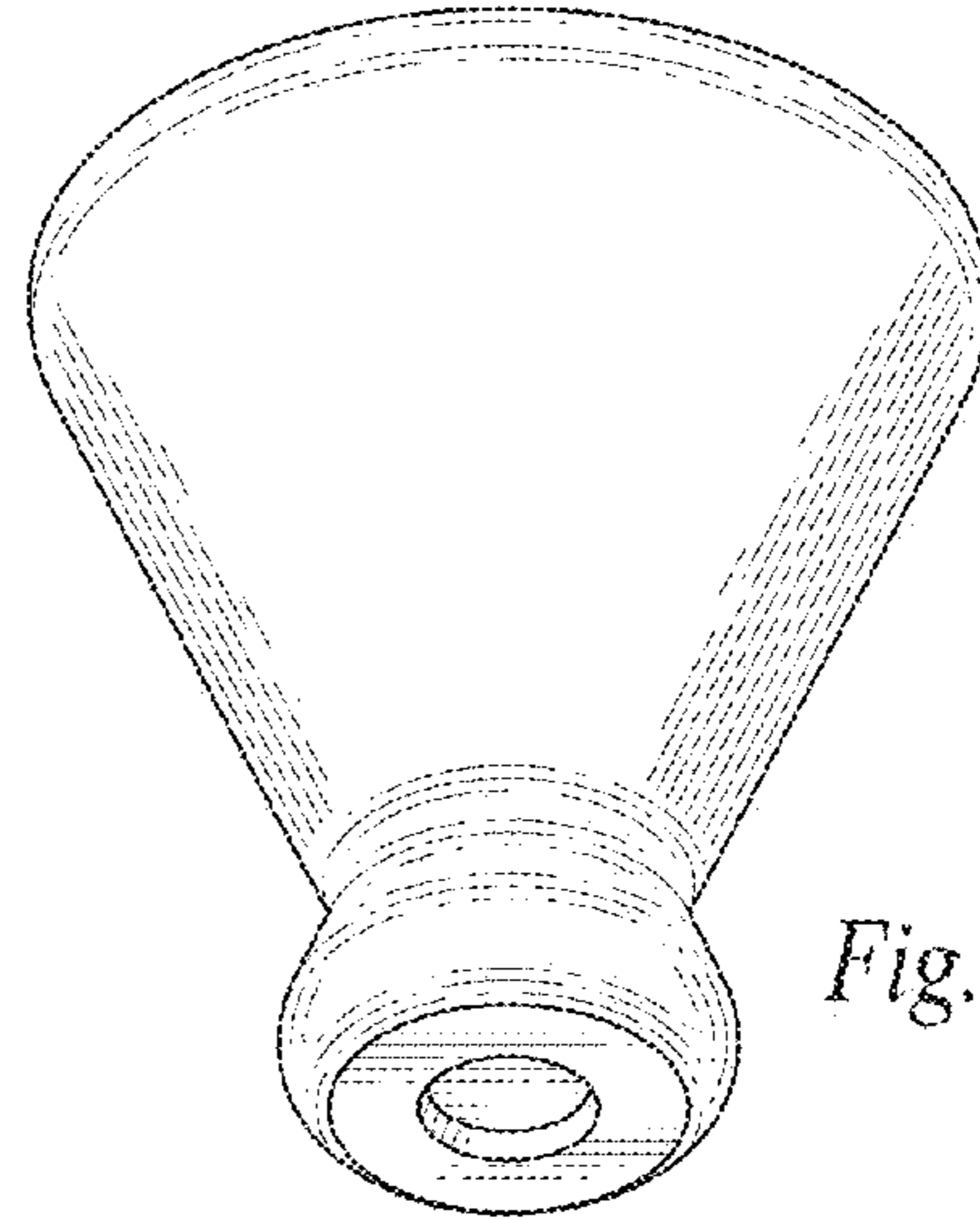


Fig. 6

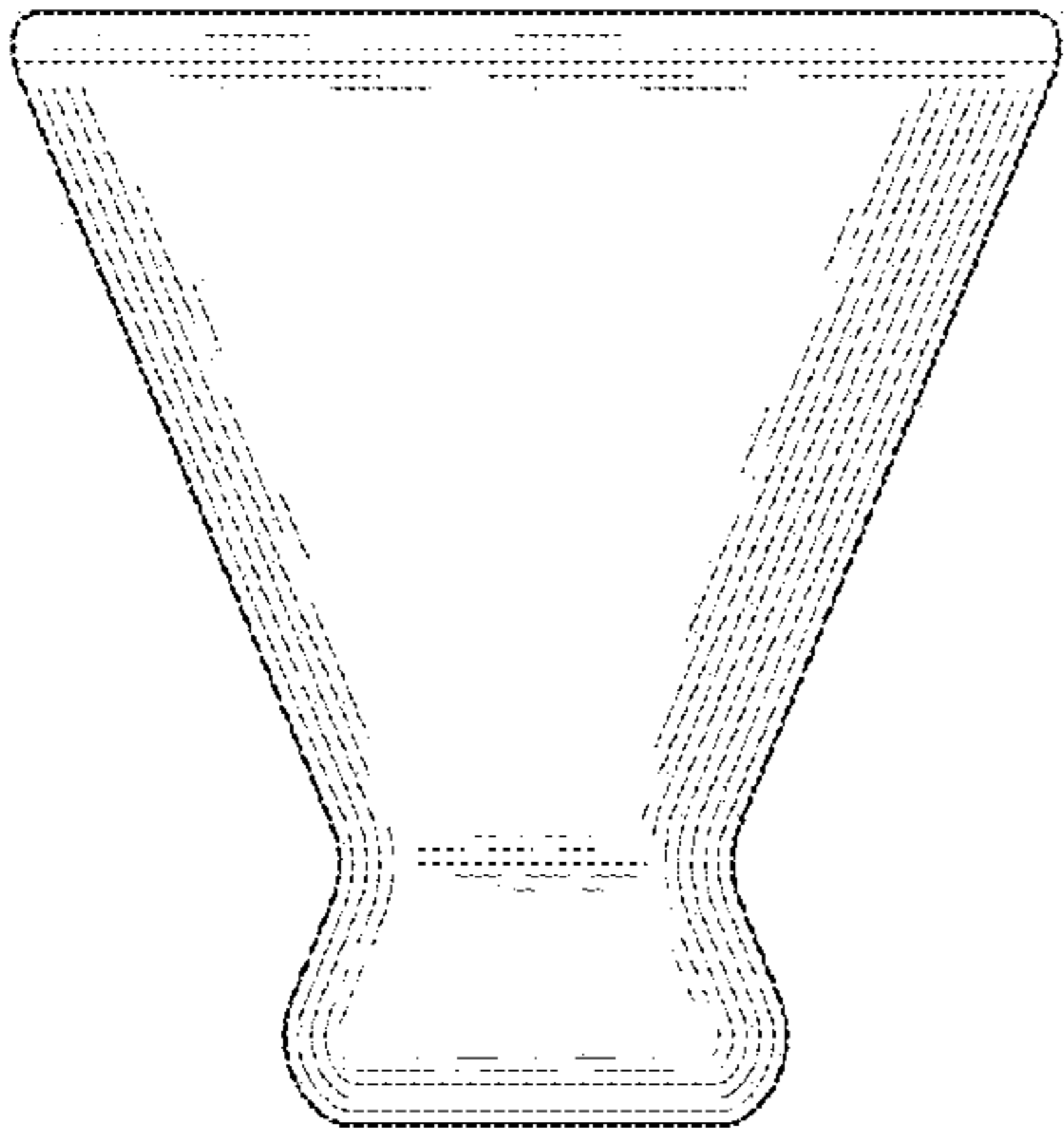


Fig. 2

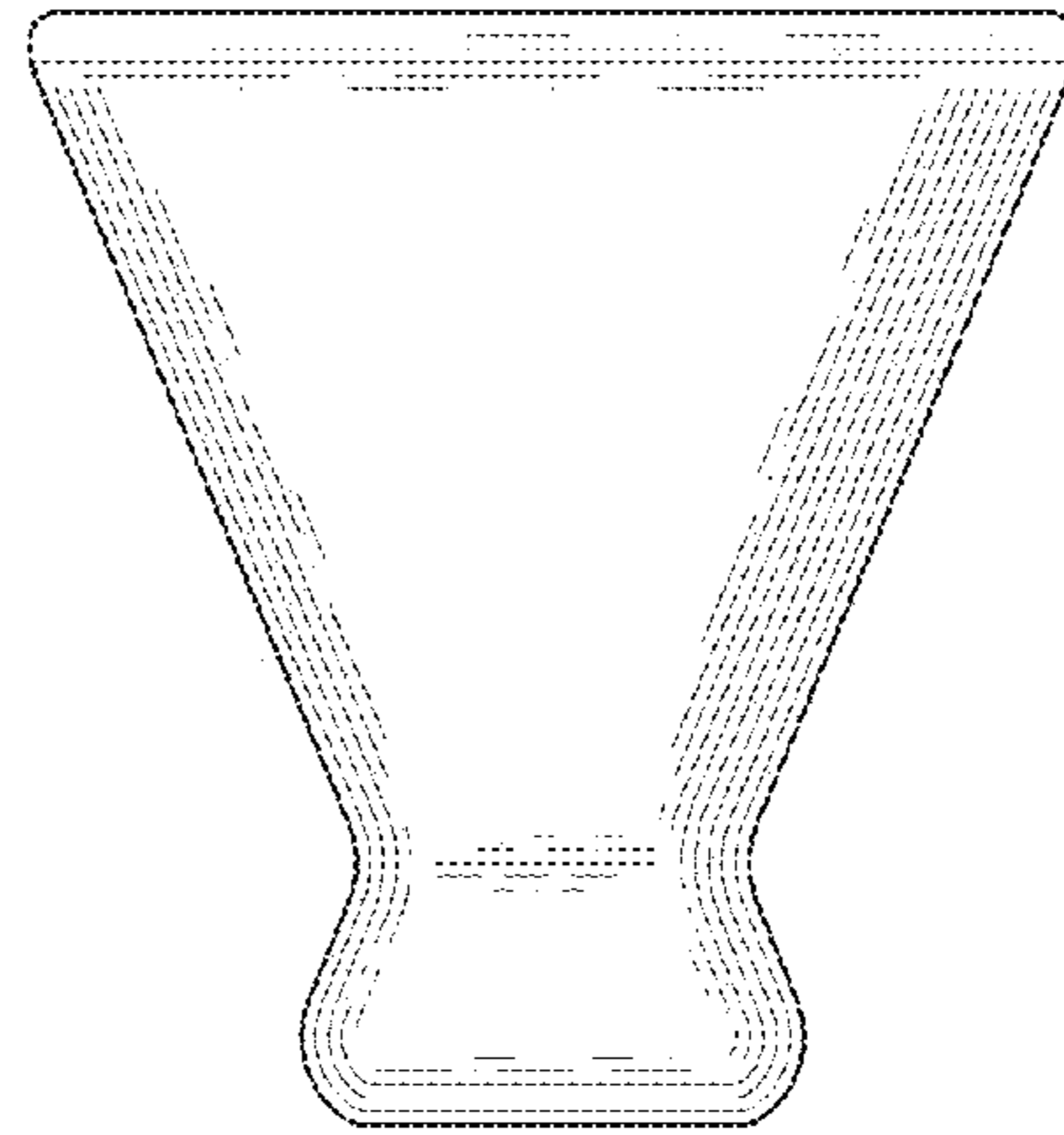


Fig. 3

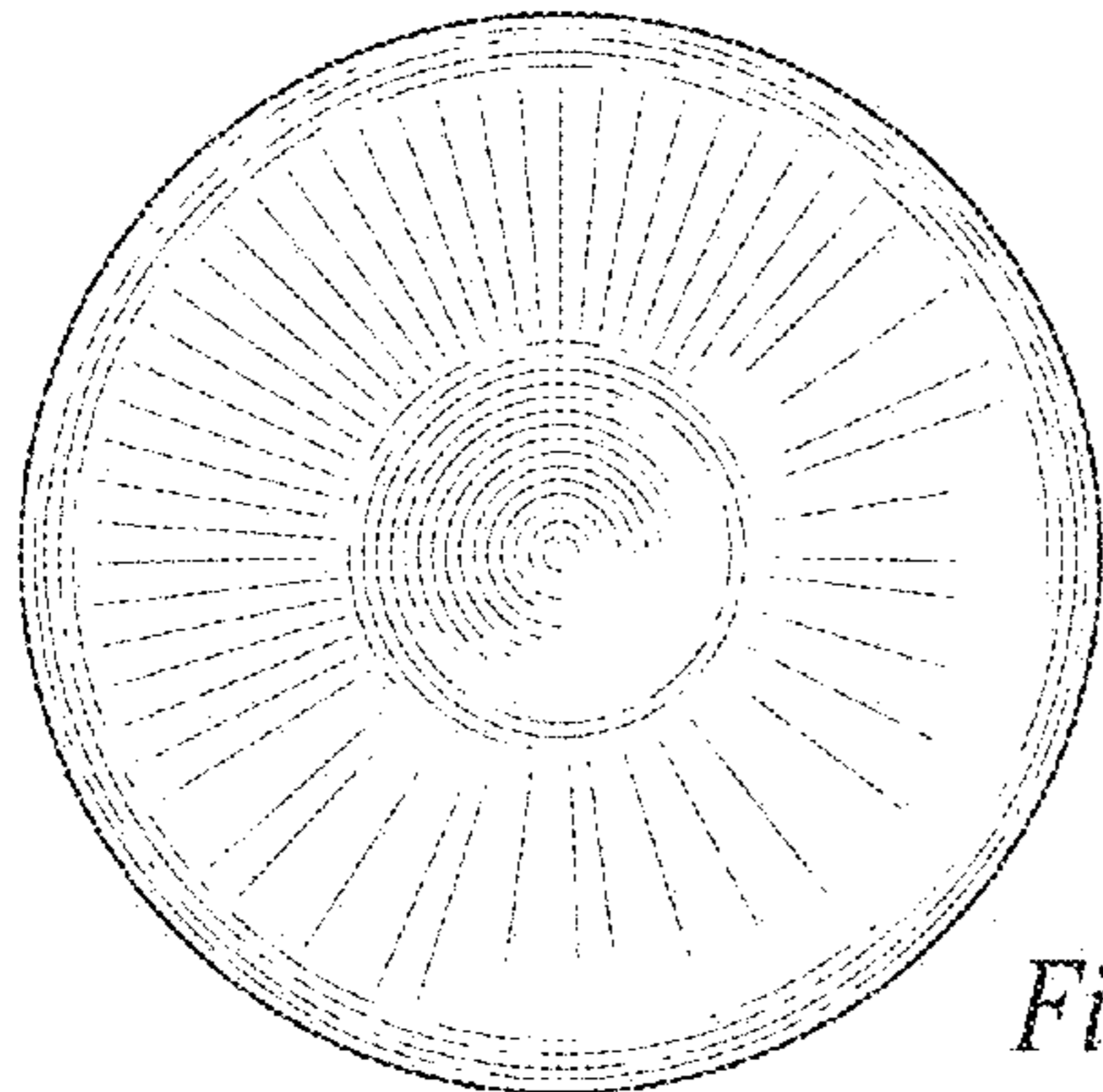


Fig. 4

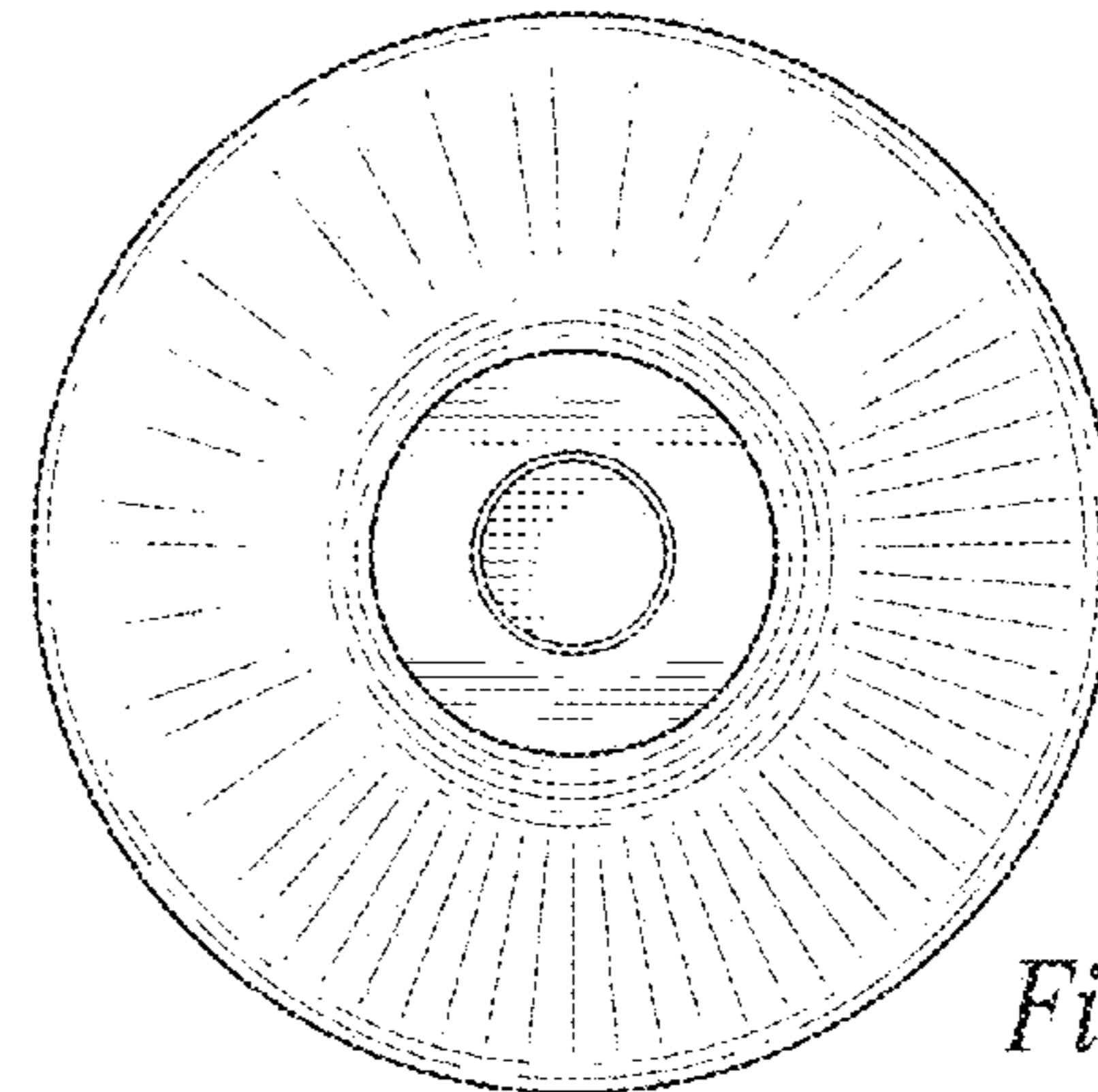


Fig. 5