



US00D717600S

(12) **United States Design Patent**
Lu

(10) **Patent No.:** **US D717,600 S**
(45) **Date of Patent:** **** Nov. 18, 2014**

(54) **CHICKEN ROASTER**

- (71) Applicant: **James Lu**, Alpharetta, GA (US)
- (72) Inventor: **James Lu**, Alpharetta, GA (US)
- (73) Assignees: **International Business Corporation**, Alpharetta, GA (US); **Progressive Global Enterprise Co., Ltd.**, Taipei (TW)
- (**) Term: **14 Years**
- (21) Appl. No.: **29/467,534**
- (22) Filed: **Sep. 20, 2013**
- (51) **LOC (10) Cl.** **07-02**
- (52) **U.S. Cl.**
USPC **D7/409**
- (58) **Field of Classification Search**
CPC A21B 2/00; A21B 3/00; A21B 3/13; A21B 3/15; A21B 5/00; A21B 5/02; A23N 12/06; A23N 12/08; A23N 12/10; A23L 1/0121; A47J 27/00; A47J 36/16; A47J 37/00; A47J 37/04; A47J 37/041; A47J 37/042; A47J 37/049; A47J 37/06; A47J 37/0688; A47J 37/0694; A47J 37/07; A47J 37/0704; A47J 37/10; A47J 43/18; A47J 47/20; A47J 2037/00; A47J 2037/06; A47J 2037/0611; A47J 2037/07; A47J 2037/0786; A47J 2037/0795; F24C 15/10; F24C 15/12; F24C 15/14; F24C 15/16; F24C 15/164; F24C 15/18
USPC D7/323, 332, 335–337, 354–355, D7/359–364, 387–388, 402, 407–409; 99/324, 342, 345, 347, 419, 421 H, 99/421 V, 422–426, 448, 450; 126/1 R, 126/25 AA, 41 R, 214 C, 332, 337 R, 339; 220/571, 573.1–573.3; 312/410; 426/509, 523

See application file for complete search history.

(56) **References Cited**

U.S. PATENT DOCUMENTS

3,392,665	A *	7/1968	Harnest	99/426
D270,608	S *	9/1983	Spanek et al.	D7/409
D286,498	S *	11/1986	Rosenkrantz	D7/409
4,633,773	A *	1/1987	Jay	99/426
4,709,626	A *	12/1987	Hamlyn	99/426
5,069,117	A *	12/1991	Schlessel	99/419
5,106,642	A *	4/1992	Ciofalo	426/509
5,301,602	A *	4/1994	Ryczek	99/345
D363,000	S *	10/1995	Buff, IV	D7/409
5,575,198	A *	11/1996	Lowery	99/426
6,125,739	A *	10/2000	Jernigan	99/345
6,349,632	B1 *	2/2002	Beck, Jr.	99/345
6,427,582	B1 *	8/2002	Measom	99/342
6,460,452	B1 *	10/2002	Hester	99/347
6,502,503	B1 *	1/2003	Bell et al.	99/419
6,557,460	B2 *	5/2003	Hester	99/347
D496,221	S *	9/2004	Hester	D7/409
D506,352	S *	6/2005	Dow et al.	D7/361
7,063,007	B2 *	6/2006	Citrynell et al.	99/347
D564,286	S *	3/2008	Zemel	D7/354
D591,105	S *	4/2009	Hodges	D7/409
7,565,863	B2 *	7/2009	Tschetter et al.	99/419
D657,612	S *	4/2012	Cloutier et al.	D7/354
D671,355	S *	11/2012	Zmrhal	D7/360
D700,004	S *	2/2014	Weskamp et al.	D7/360
2002/0100371	A1 *	8/2002	Snoke et al.	99/419

* cited by examiner

Primary Examiner — Ricky Pham
(74) *Attorney, Agent, or Firm* — Rodgers & Rodgers

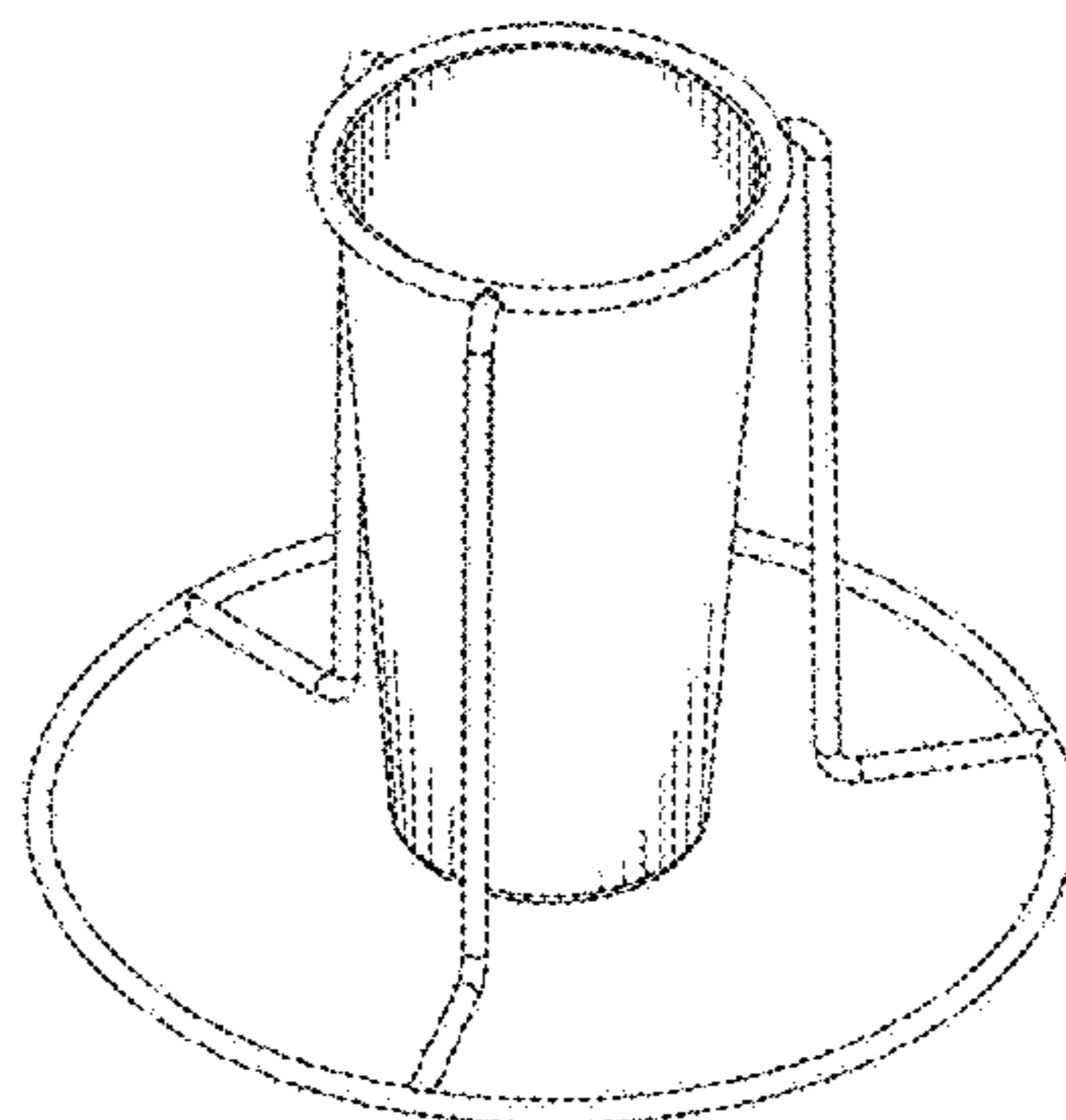
(57) **CLAIM**

The ornamental design for a chicken roaster, as shown and described.

DESCRIPTION

FIG. 1 is a perspective view of a chicken roaster showing my new design;
FIG. 2 is a bottom perspective view thereof;
FIG. 3 is a top plan view thereof;
FIG. 4 is a bottom plan view thereof; and,
FIG. 5 is a side elevational view thereof.

1 Claim, 2 Drawing Sheets



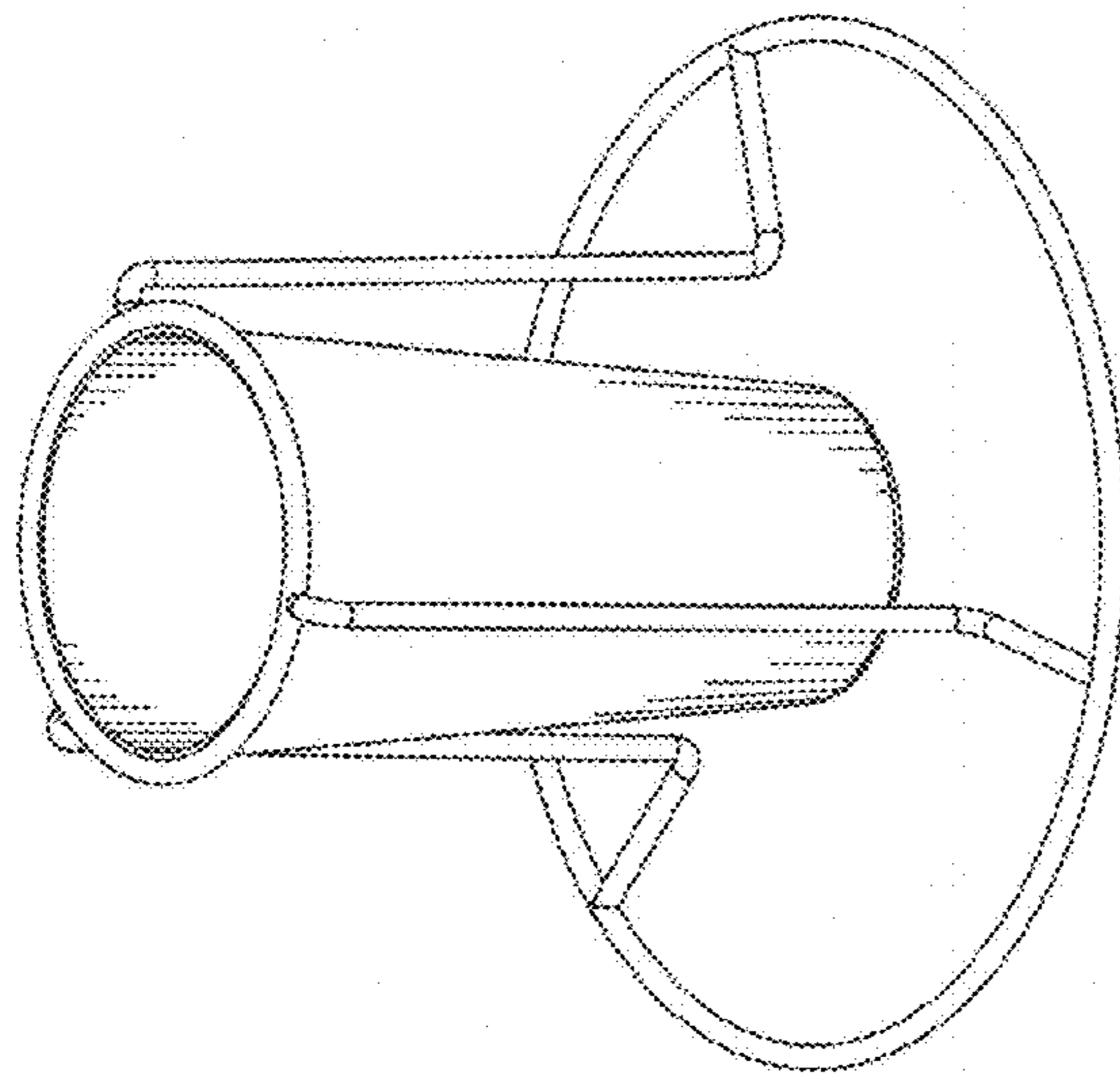


FIG. 1

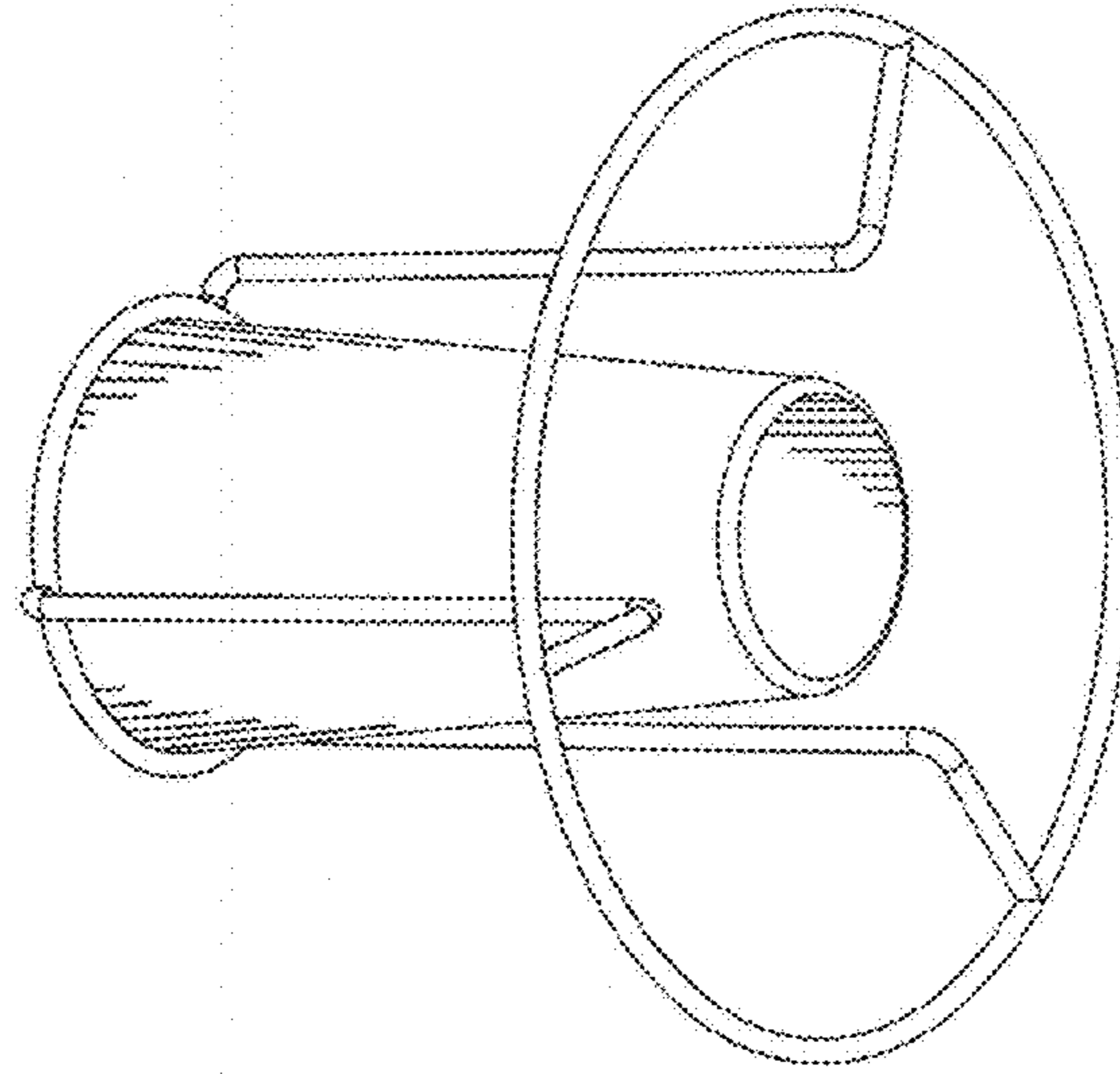


FIG. 2

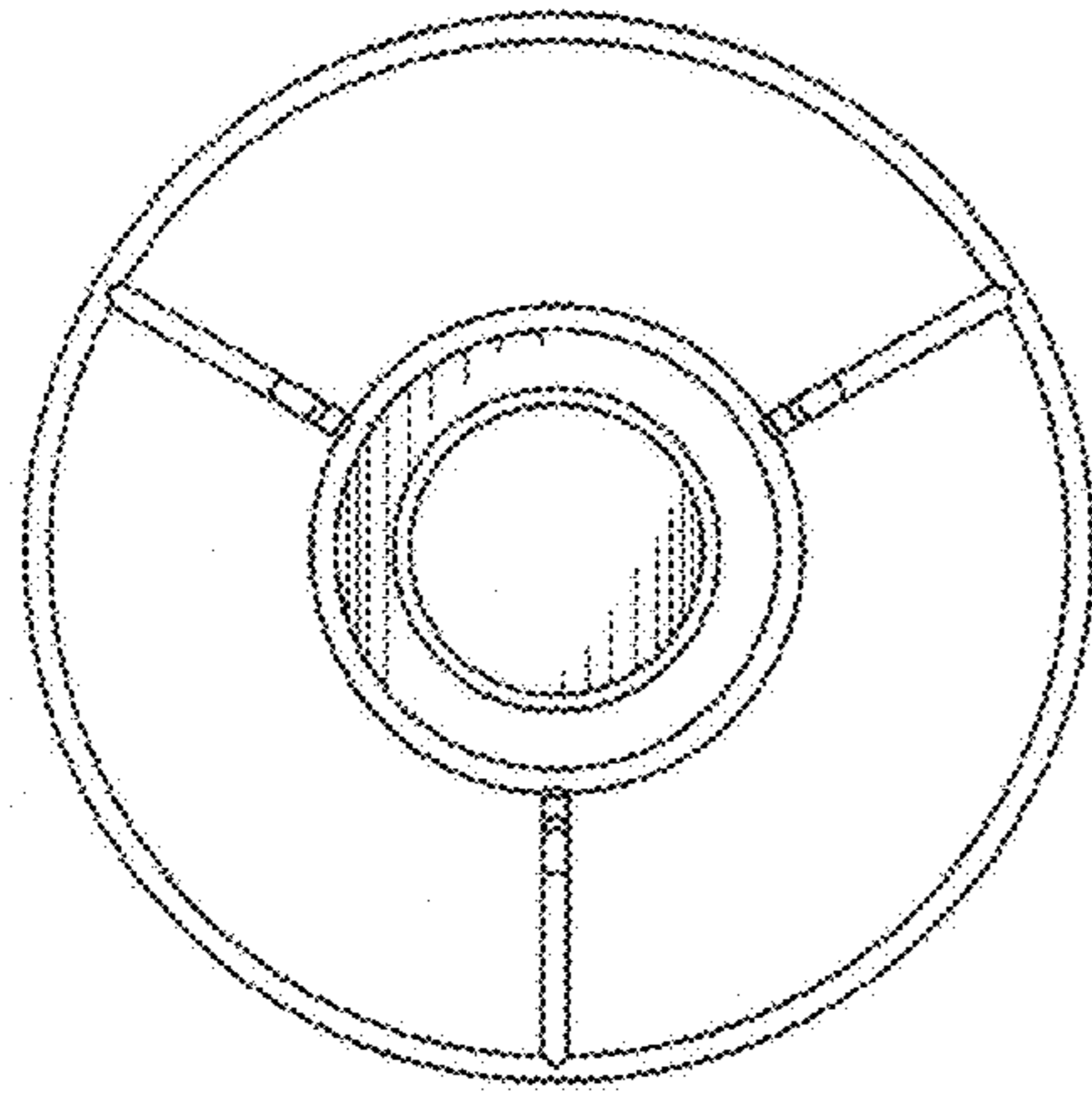


FIG. 4

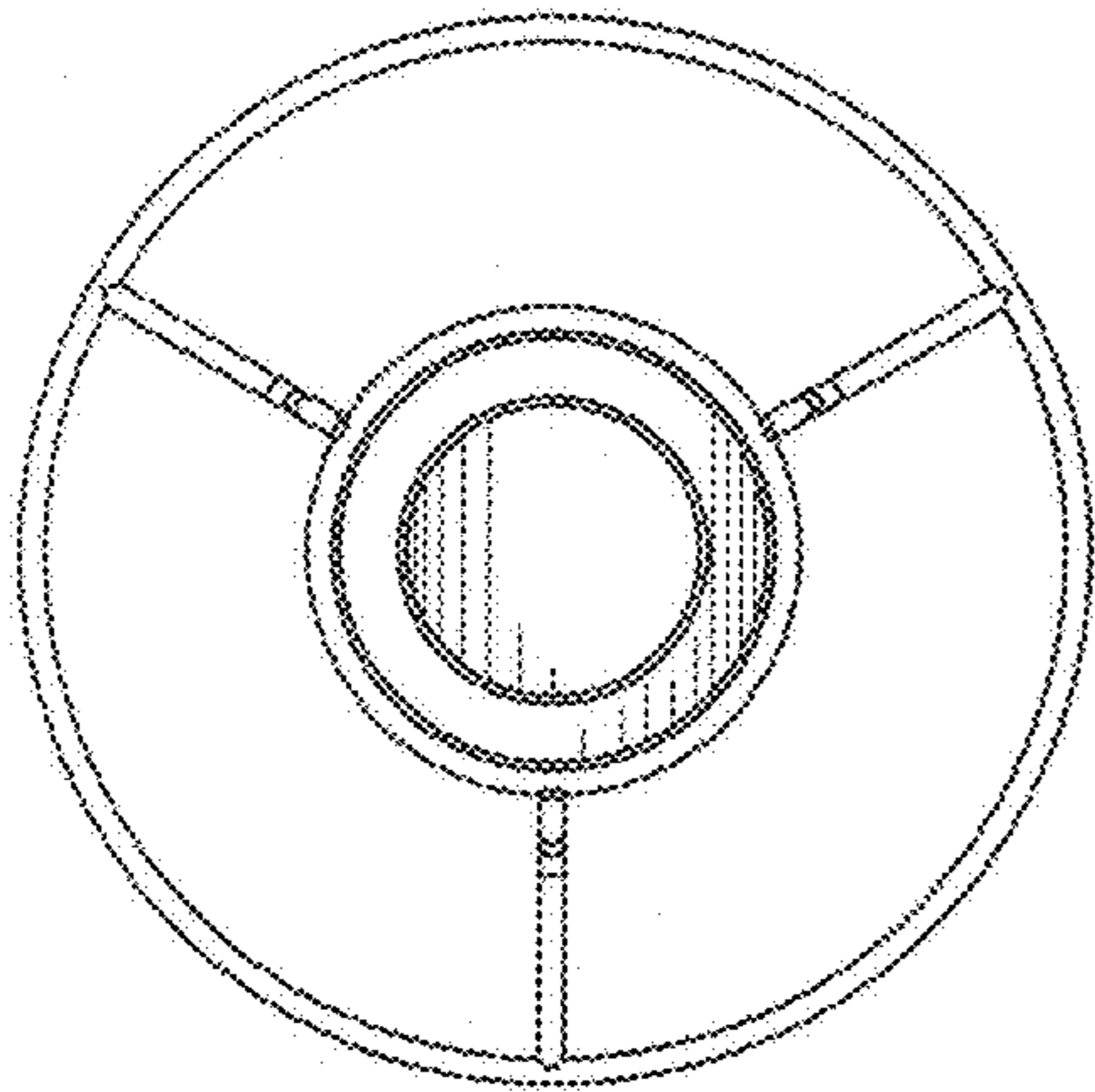


FIG. 3

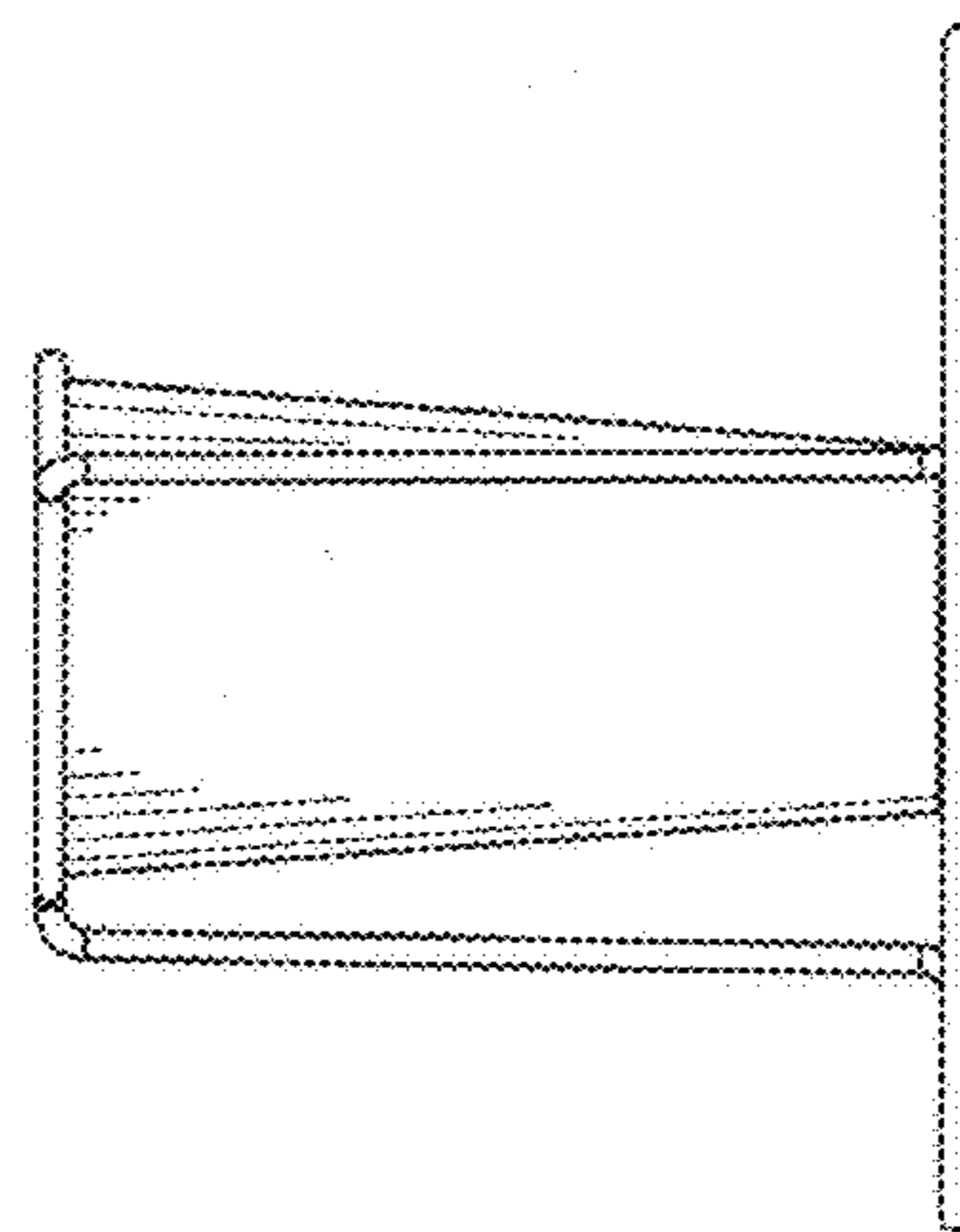


FIG. 5