



US00D717599S

(12) **United States Design Patent**  
**Lu**

(10) **Patent No.:** **US D717,599 S**

(45) **Date of Patent:** **\*\* Nov. 18, 2014**

(54) **EXPANDABLE BARBEQUE GRILL GRID**

220/573.1-573.3; 249/18; 312/410;  
426/509, 523

(71) Applicant: **James Lu**, Alpharetta, GA (US)

See application file for complete search history.

(72) Inventor: **James Lu**, Alpharetta, GA (US)

(56) **References Cited**

(73) Assignees: **International Business Corporation**,  
Alpharetta, GA (US); **Progressive**  
**Global Enterprises Co., Ltd.**, Taipei  
(TW)

U.S. PATENT DOCUMENTS

(\*\*) Term: **14 Years**

1,925,371	A *	9/1933	Charter	211/153
2,549,709	A *	4/1951	Potts	99/449
3,306,281	A *	2/1967	Hoebel	126/25 R
D263,918	S *	4/1982	Boyd	D7/336
D291,646	S *	9/1987	Koziol	D7/409
4,910,827	A *	3/1990	Tandberg et al.	15/236.06
D327,602	S *	7/1992	Walker	D7/335
5,452,706	A *	9/1995	Meza	126/30
5,520,118	A *	5/1996	McCarthy	108/42
6,189,527	B1 *	2/2001	Walsh et al.	126/25 R
8,276,874	B2 *	10/2012	Schwoerer	249/18
8,739,773	B2 *	6/2014	Ambrose et al.	126/337 R
2004/0112852	A1 *	6/2004	Brooks	211/153

(21) Appl. No.: **29/467,364**

(22) Filed: **Sep. 18, 2013**

(51) **LOC (10) Cl.** ..... **07-02**

(52) **U.S. Cl.**  
USPC ..... **D7/409**

\* cited by examiner

(58) **Field of Classification Search**

*Primary Examiner* — Ricky Pham

CPC ..... A21B 2/00; A21B 3/00; A21B 3/13;  
A21B 3/15; A21B 5/00; A21B 5/02; A21B  
96/025; A21B 96/06; A23N 12/06; A23N  
12/08; A23N 12/10; A47J 37/00; A47J 37/04;  
A47J 37/05; A47J 37/041; A47J 37/042;  
A47J 37/06; A47J 37/067; A47J 37/0688;  
A47J 37/0694; A47J 37/07; A47J 37/0704;  
A47J 37/0763; A47J 37/0786; A47J 37/10;  
A47J 47/20; A47J 2037/00; A47J 2037/06;  
A47J 2037/0611; A47J 2037/07; A47J  
2037/00786; A47J 2037/0795; A47B 96/025;  
A47B 96/06; C23C 26/00; E04G 11/52;  
F24C 15/10; F24C 15/12; F24C 15/14;  
F24C 15/16; F24C 15/164; F24C 15/18  
USPC ..... D7/323, 332, 335-337, 354-355,  
D7/359-364, 387-388, 402, 407-409;  
15/236.06; 99/324, 419, 421 H, 421 V,  
99/422-426, 448-450; 108/42; 126/1 R,  
126/25 AA, 25 R, 30, 41 R, 214 C, 332,  
126/337 R, 339; 211/153; 220/571,

(74) *Attorney, Agent, or Firm* — Rodgers & Rodgers

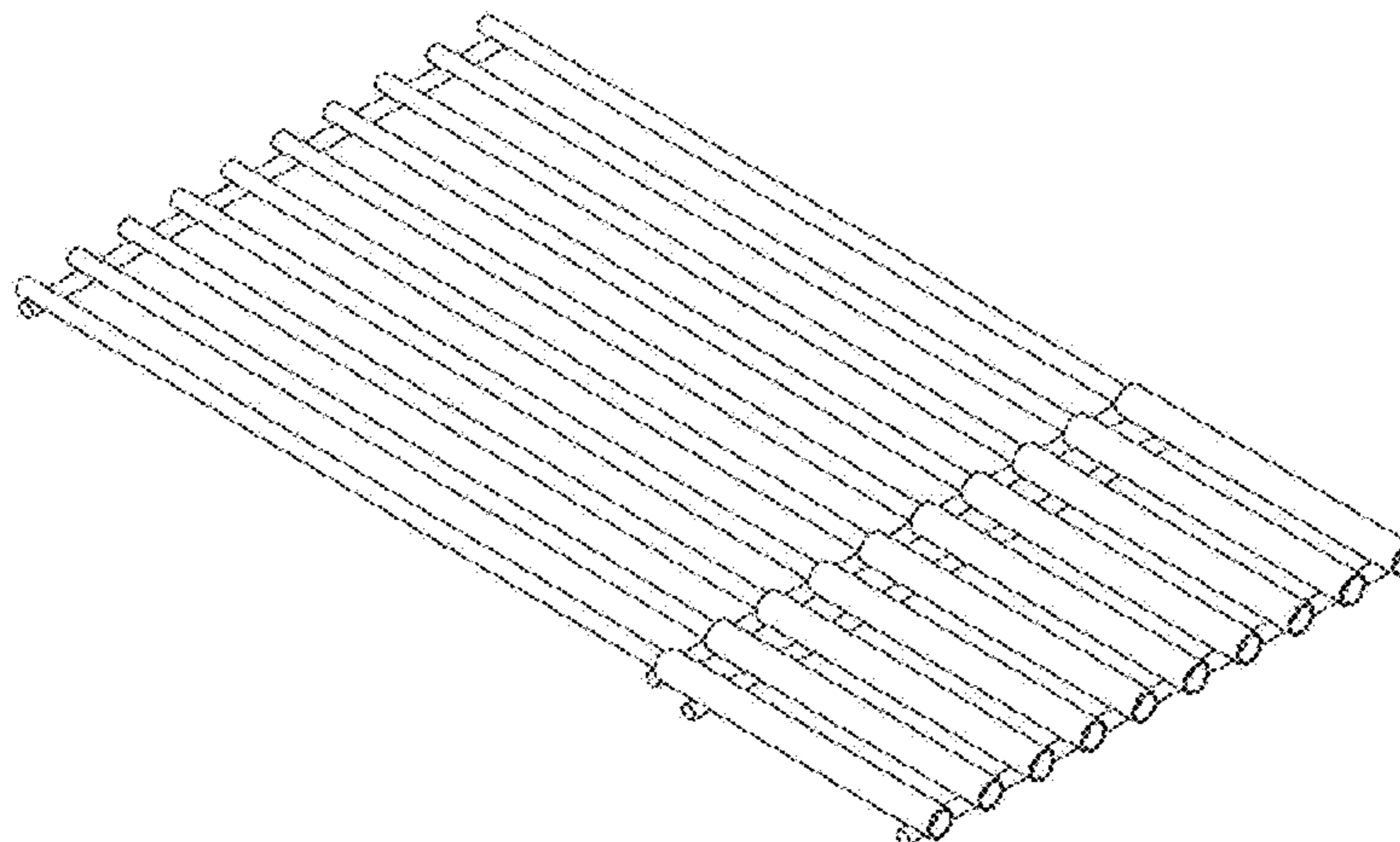
(57) **CLAIM**

The ornamental design for an expandable barbeque grill grid,  
as shown and described.

**DESCRIPTION**

FIG. 1 is a perspective view of an expandable barbeque grill grid showing my new design;  
FIG. 2 is a bottom perspective view thereof with the grid in an expanded condition;  
FIG. 3 is a front elevational view thereof, the rear being a mirror image thereof;  
FIG. 4 is a right-side elevational view thereof;  
FIG. 5 is a left-side elevational view thereof;  
FIG. 6 is a bottom plan view thereof; and,  
FIG. 7 is a top plan view thereof.

**1 Claim, 3 Drawing Sheets**



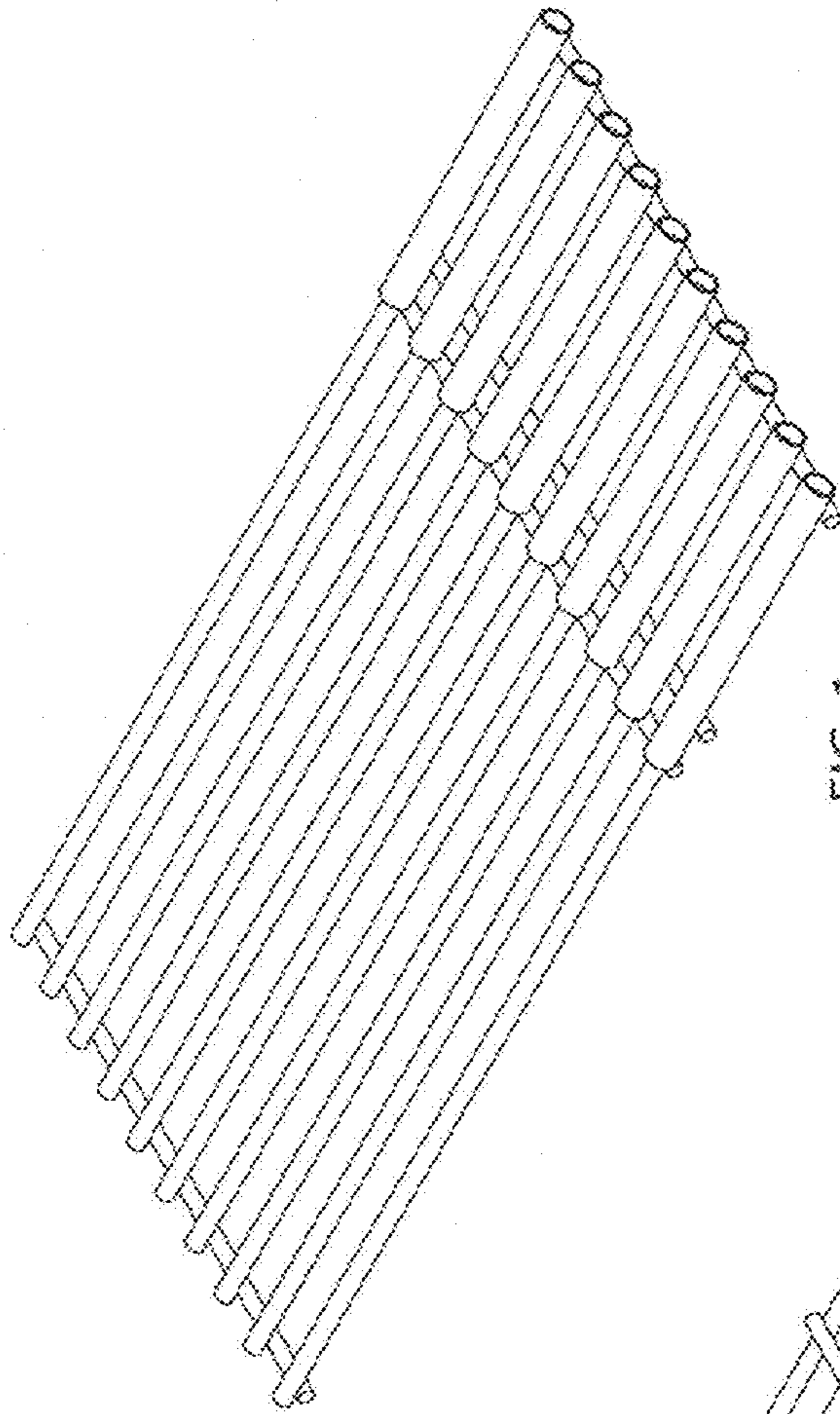


FIG. 1

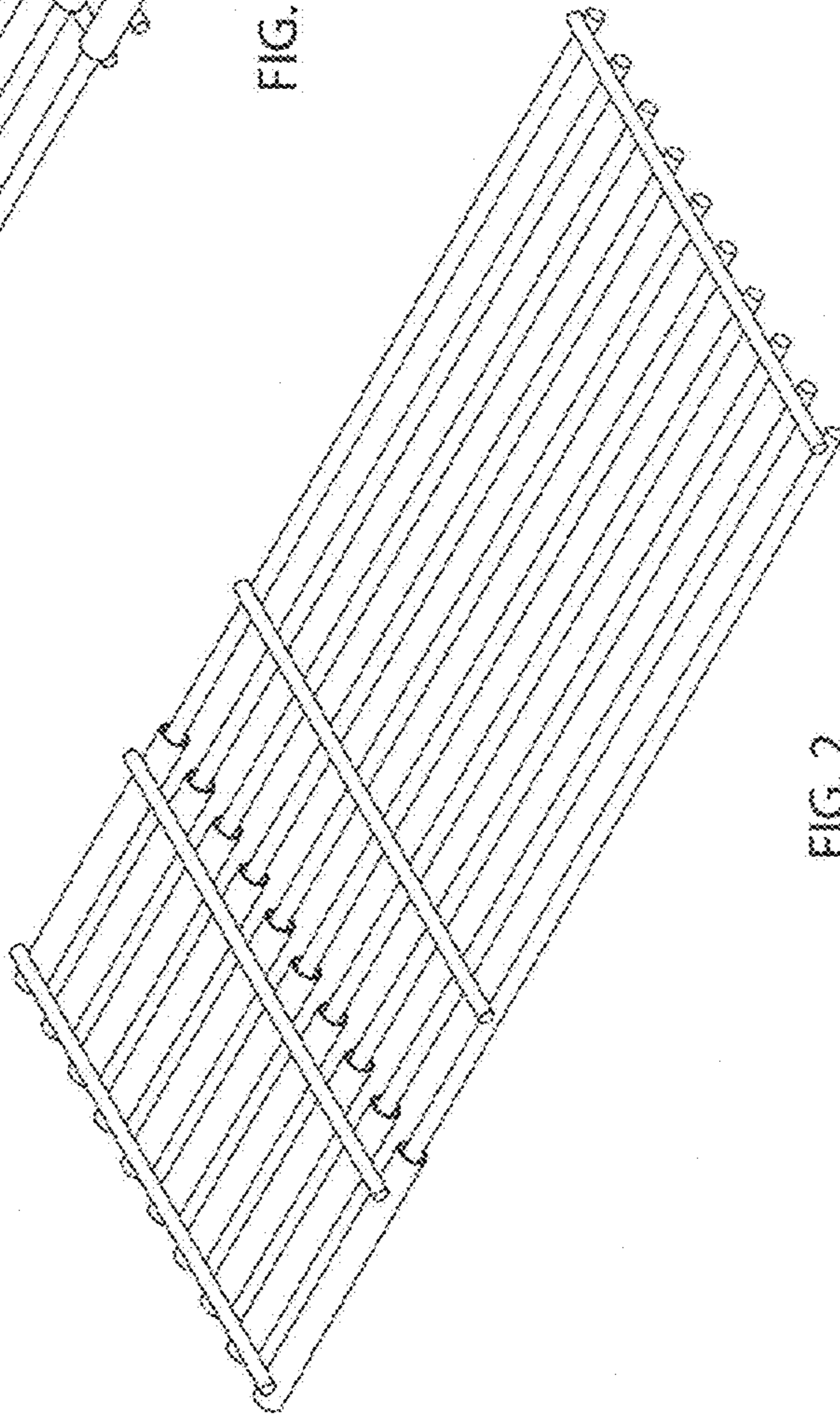


FIG. 2

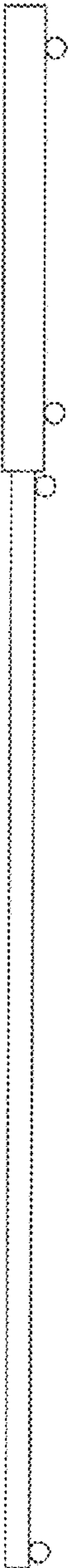


FIG. 3



FIG. 4



FIG. 5



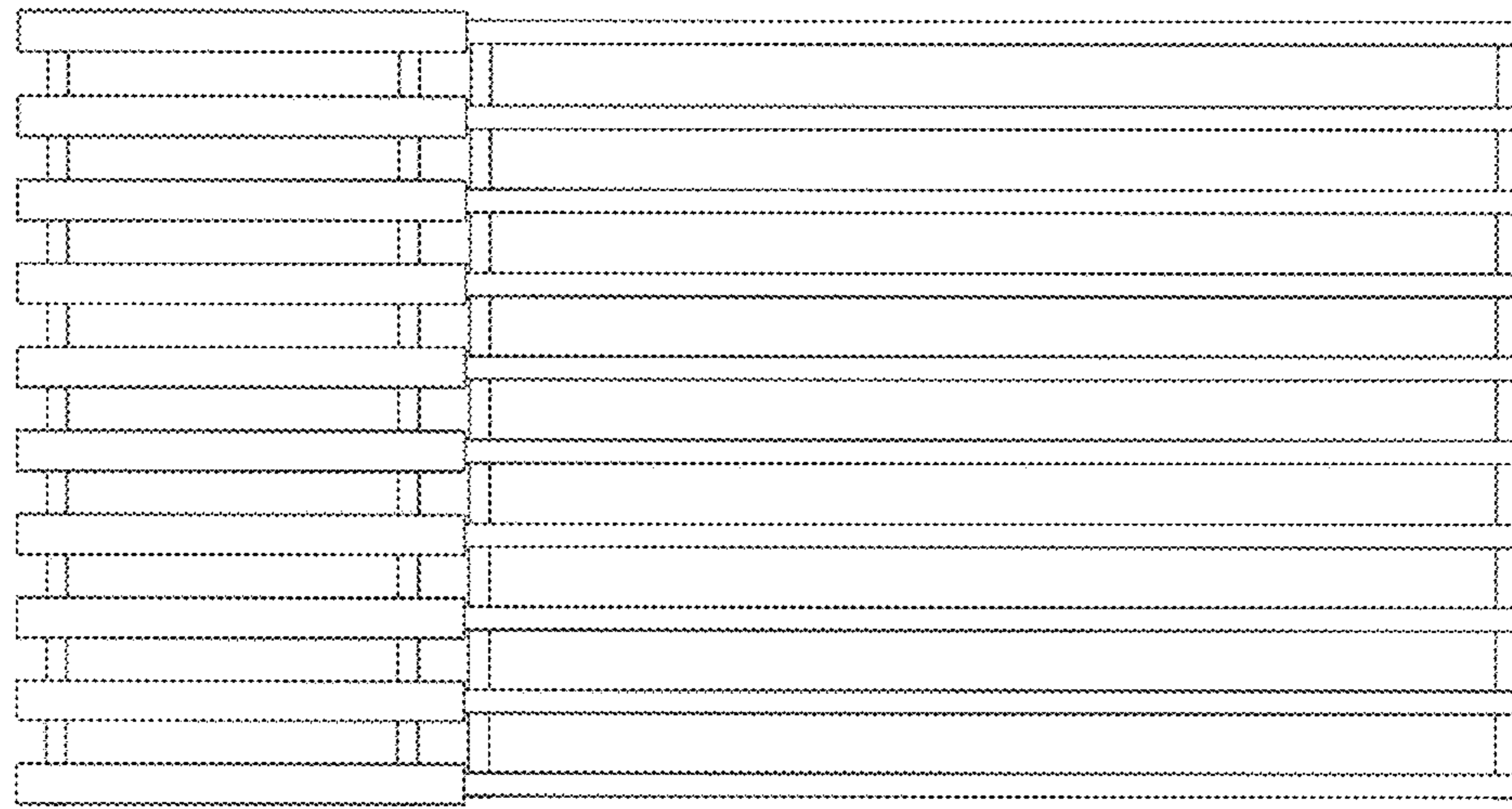


FIG. 7

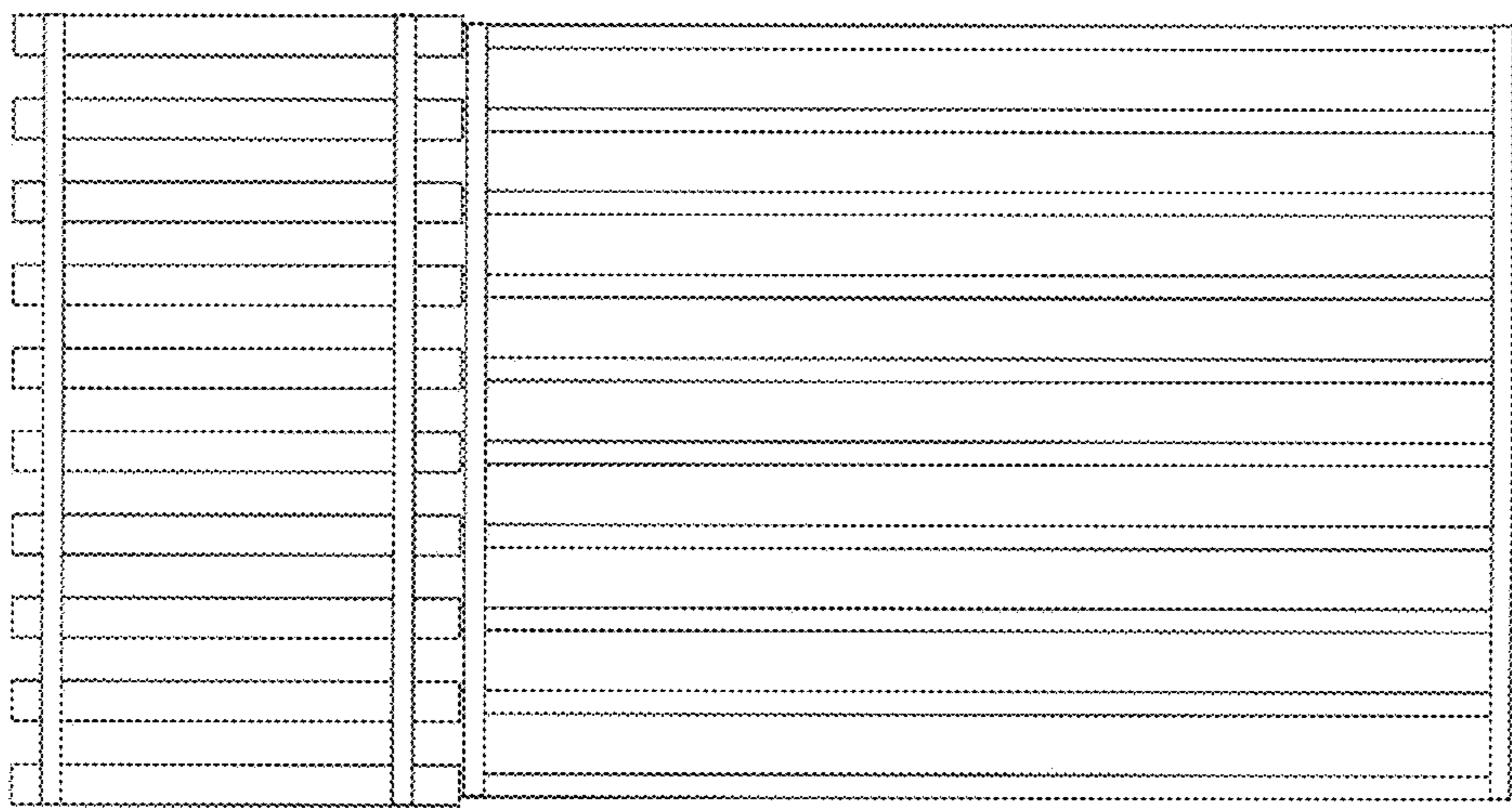


FIG. 6