



US00D717598S

(12) **United States Design Patent**
Lu

(10) **Patent No.:** **US D717,598 S**
(45) **Date of Patent:** **** Nov. 18, 2014**

(54) **PEPPER ROASTING RACK**

(71) Applicant: **James Lu**, Alpharetta, GA (US)

(72) Inventor: **James Lu**, Alpharetta, GA (US)

(73) Assignees: **International Business Corporation**,
Alpharetta, GA (US); **Progressive**
Global Enterprises Co., Ltd., Taipei
(TW)

(**) Term: **14 Years**

(21) Appl. No.: **29/467,362**

(22) Filed: **Sep. 18, 2013**

(51) **LOC (10) Cl.** **07-02**

(52) **U.S. Cl.**

USPC **D7/409**

(58) **Field of Classification Search**

CPC A21B 2/00; A21B 3/00; A21B 3/13;
A21B 3/15; A21B 5/00; A21B 5/02; A23N
12/06; A23N 12/08; A23N 12/10; A47J
27/002; A47J 37/00; A47J 37/04; A47J
37/041; A47J 37/042; A47J 37/06; A47J
37/0688; A47J 37/0694; A47J 37/07; A47J
37/0704; A47J 37/10; A47J 37/108; A47J
47/20; A47J 2037/00; A47J 2037/06; A47J
2037/0611; A47J 2037/07; A47J 2037/0786;
A47J 2037/0795; F24C 15/10; F24C 15/12;
F24C 15/14; F24C 15/16; F24C 15/164;
F24C 15/18

USPC D7/323, 332, 335-337, 354-355,
D7/359-364, 387-388, 402, 407-409;
99/342, 345, 347, 419, 421 H, 421 V,
99/422-426, 446, 448, 450; 126/1 R,
126/25 AA, 25 R, 41 R, 214 C, 275 R, 332,
126/337 R, 339; 220/571, 573.1-573.3;
312/410; 426/509, 523

See application file for complete search history.

(56) **References Cited**

U.S. PATENT DOCUMENTS

573,045	A *	12/1896	Snyder	126/275 R
4,291,616	A *	9/1981	Taylor	99/446
4,941,401	A *	7/1990	Sarnoff et al.	99/446
5,400,703	A *	3/1995	Ashcom et al.	99/446
5,628,245	A *	5/1997	Baze	99/426
5,870,946	A *	2/1999	Dudley	99/426
D418,717	S *	1/2000	Dudley	D7/409
D558,520	S *	1/2008	Raichlen et al.	D7/409
D624,787	S *	10/2010	Adams et al.	D7/409
D658,441	S *	5/2012	Borovicka et al.	D7/409
D702,499	S *	4/2014	Zemel et al.	D7/409
D703,485	S *	4/2014	Zemel et al.	D7/409
2008/0066734	A1 *	3/2008	Bright	126/25 R

* cited by examiner

Primary Examiner — Ricky Pham

(74) *Attorney, Agent, or Firm* — Rodgers & Rodgers

(57) **CLAIM**

The ornamental design for a pepper roasting rack, as shown and described.

DESCRIPTION

FIG. 1 is a perspective view of a pepper roasting rack showing my new design;

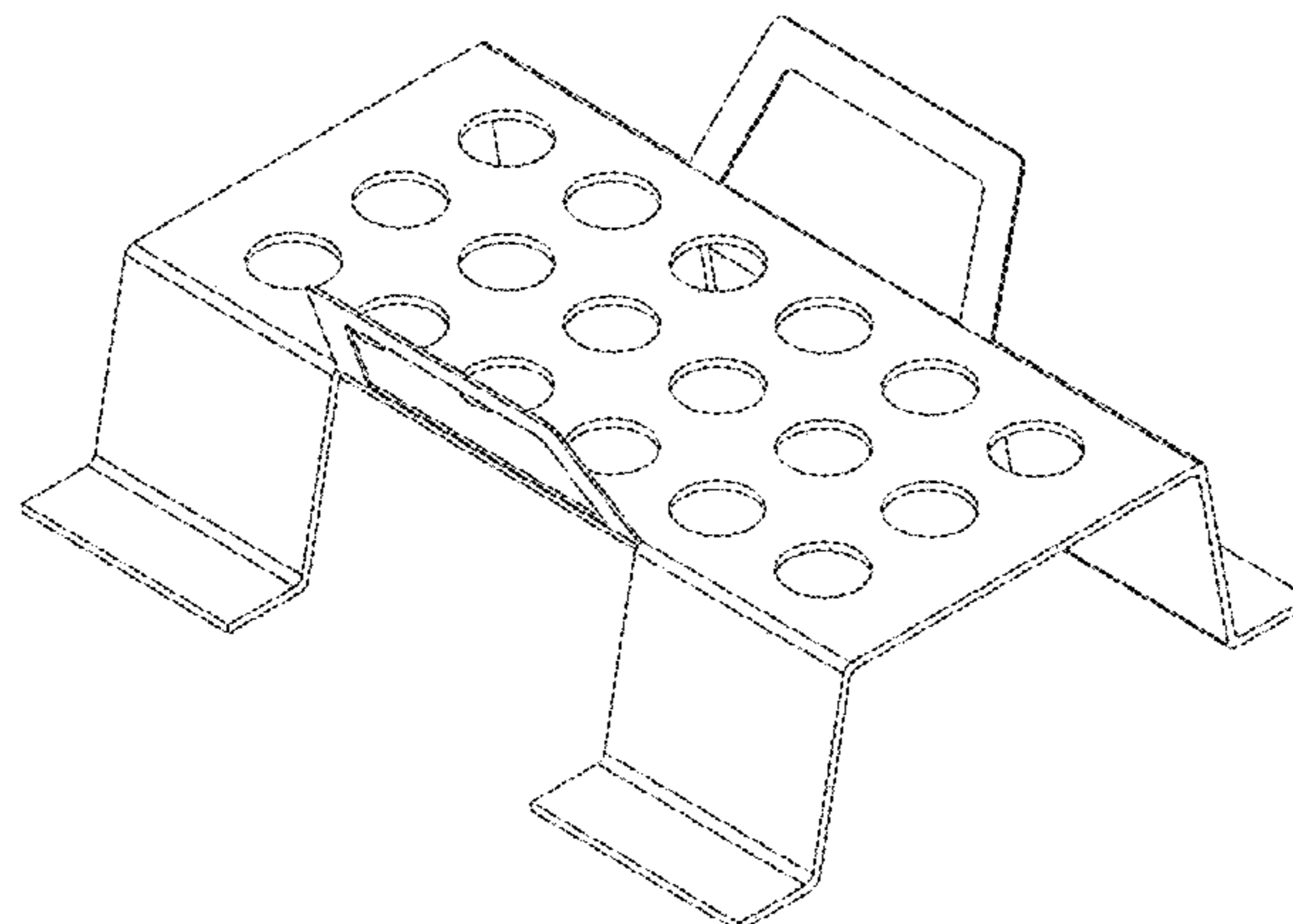
FIG. 2 is a top plan view thereof;

FIG. 3 is a bottom plan view thereof;

FIG. 4 is a front elevational view thereof, the rear being the same in appearance; and,

FIG. 5 is a right-side elevational view thereof, the left side being the same in appearance.

1 Claim, 2 Drawing Sheets



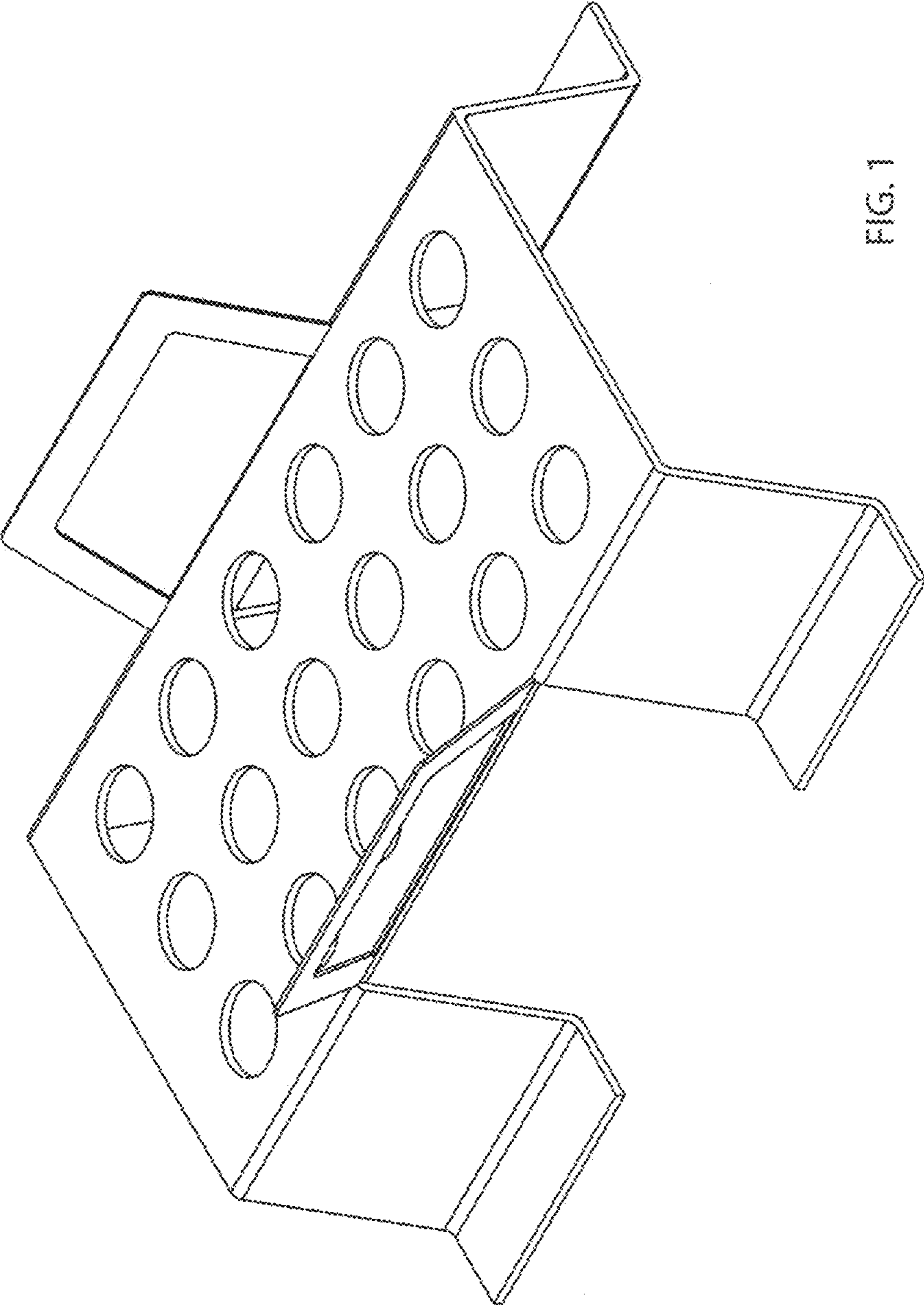


FIG. 1

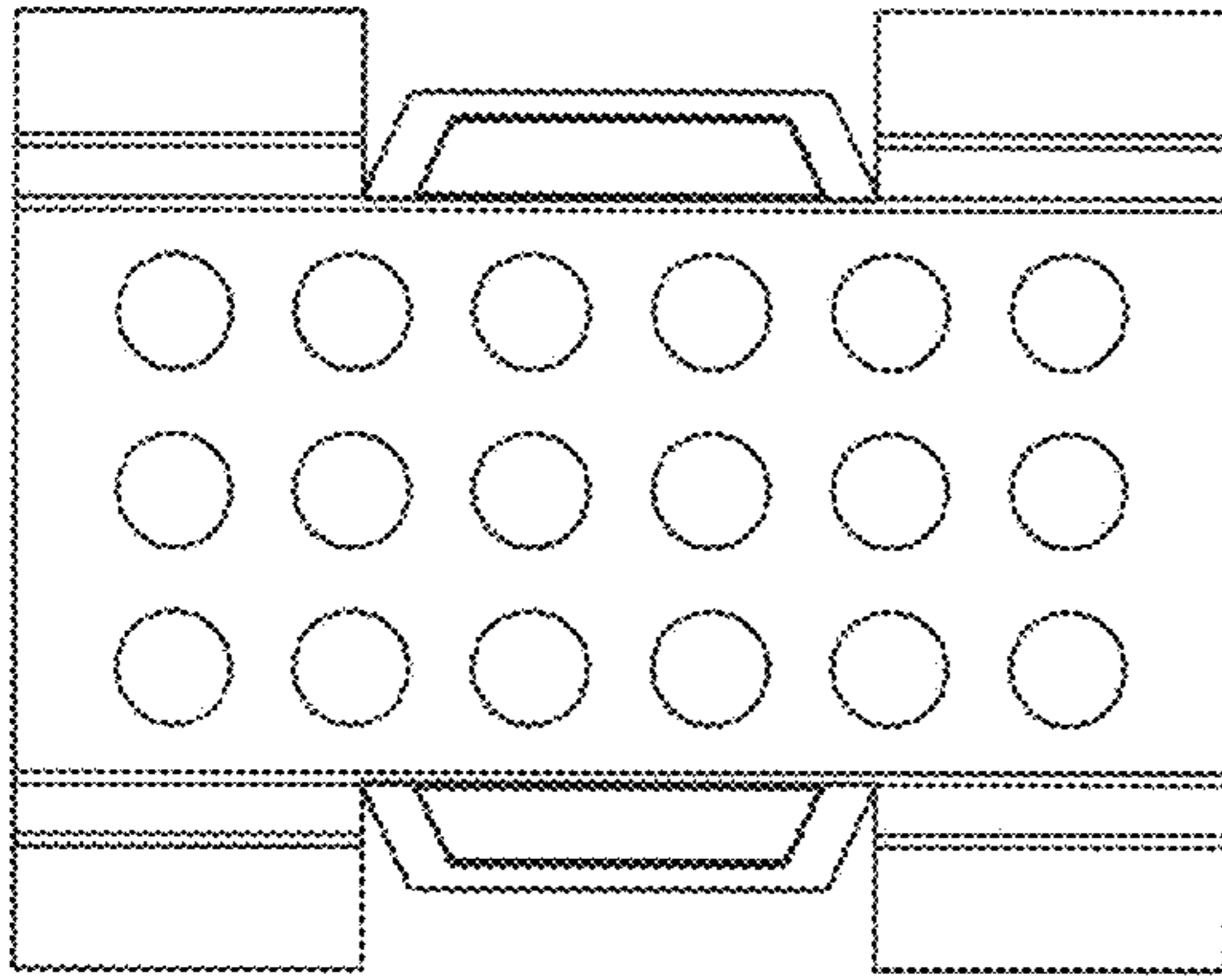


FIG. 3

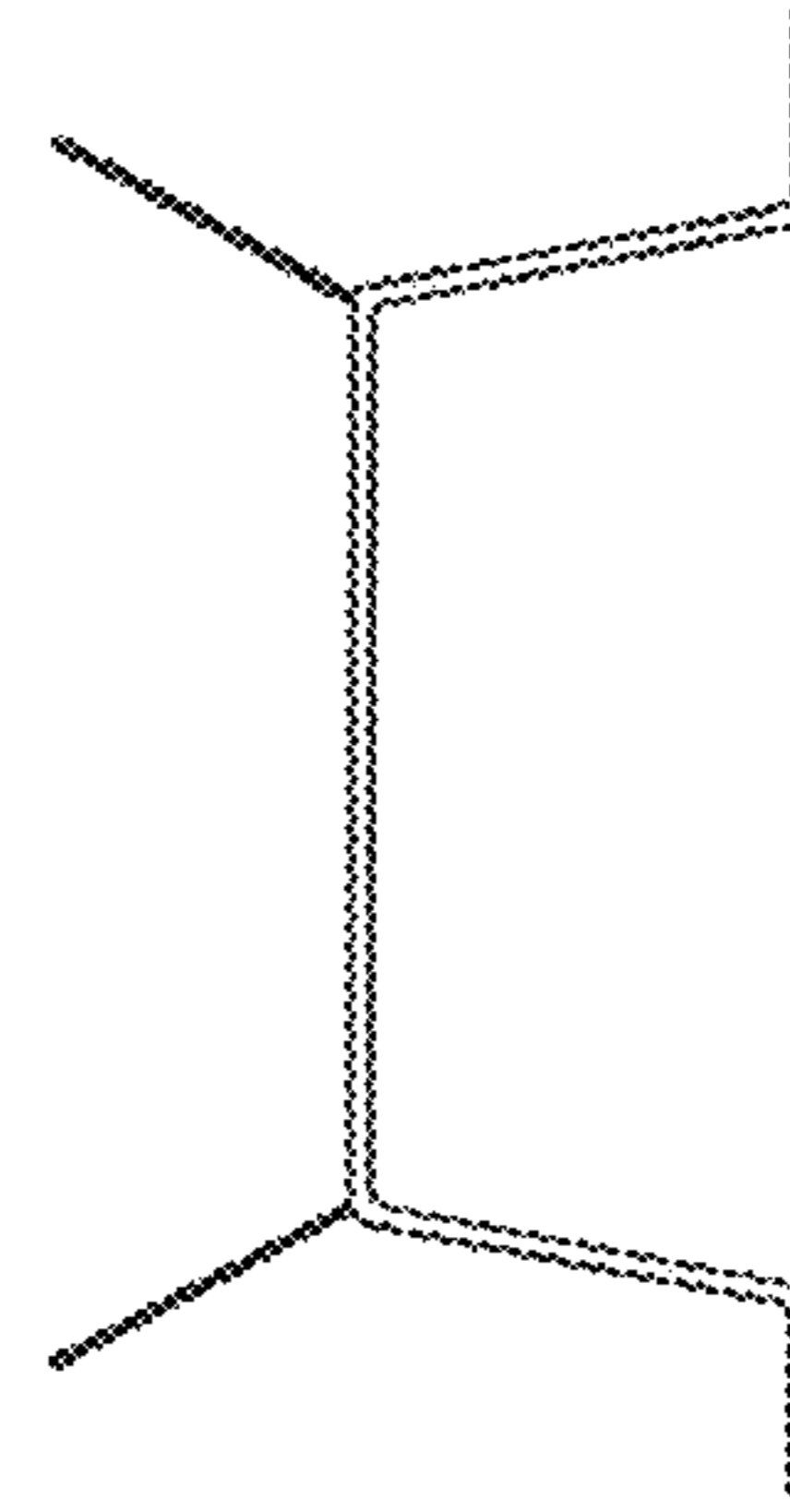


FIG. 5

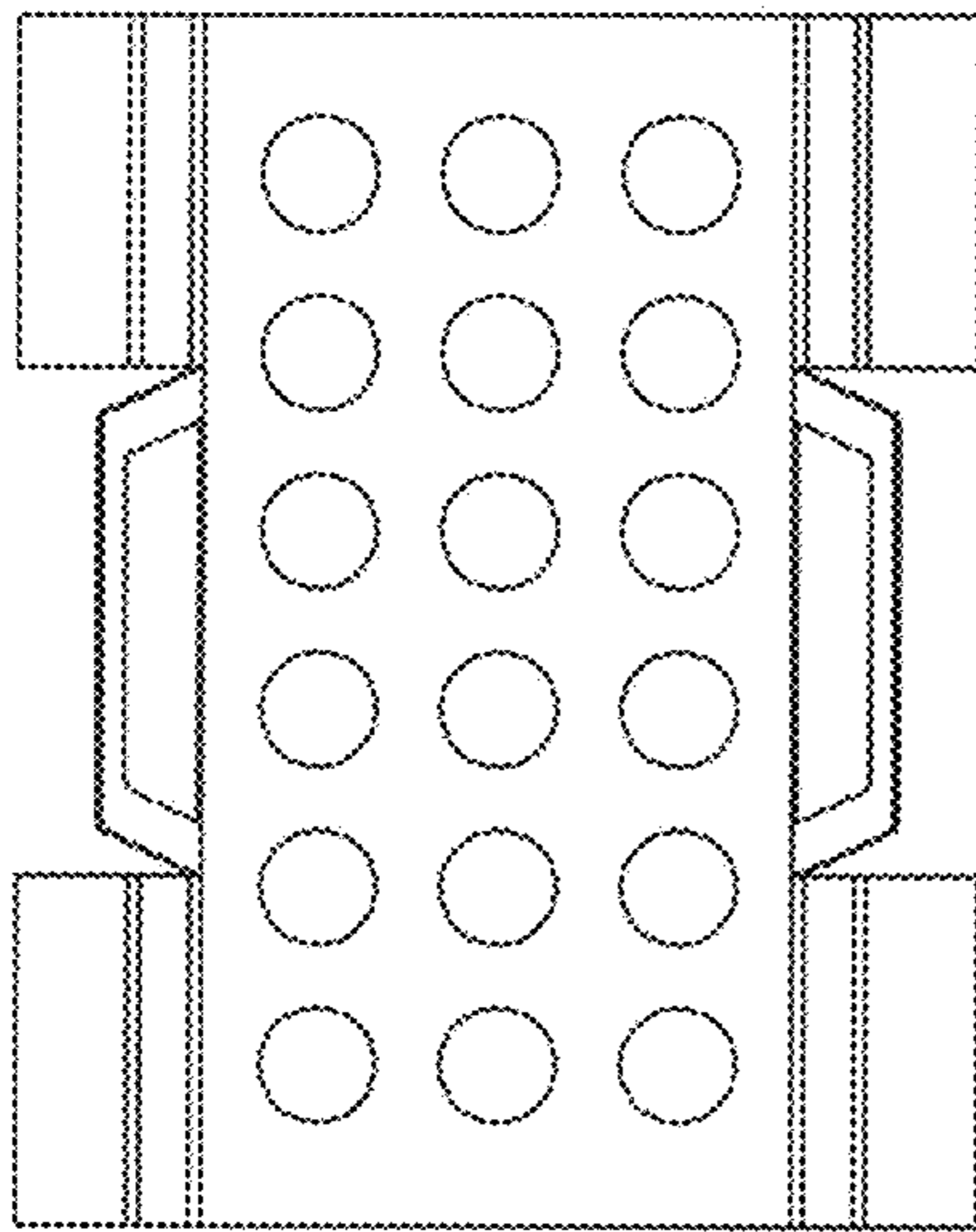


FIG. 2

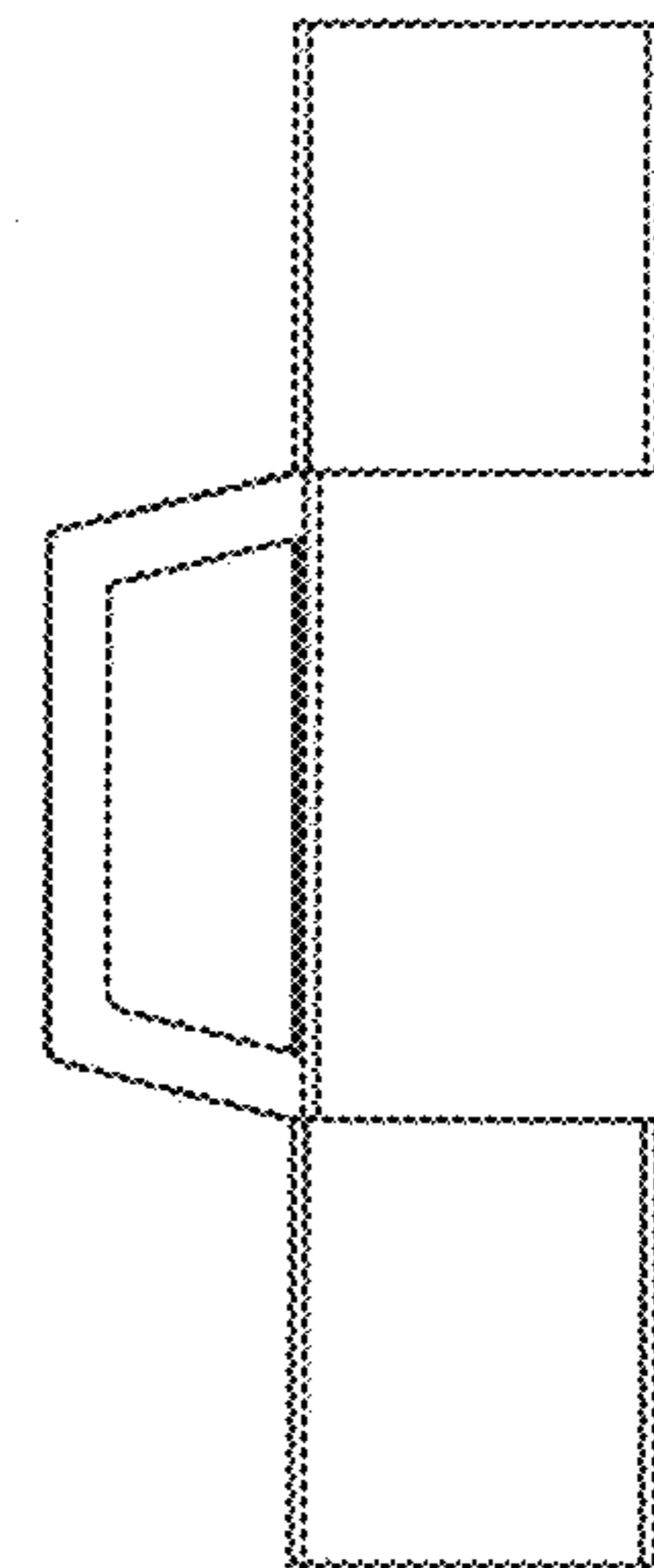


FIG. 4