



US00D717596S

(12) **United States Design Patent**
Maher

(10) **Patent No.:** **US D717,596 S**
(45) **Date of Patent:** **** Nov. 18, 2014**

- (54) **BBQ LEMON CHICKEN RACK**
- (71) Applicant: **Timothy G. Maher**, Norco, CA (US)
- (72) Inventor: **Timothy G. Maher**, Norco, CA (US)
- (**) Term: **14 Years**
- (21) Appl. No.: **29/458,981**
- (22) Filed: **Jun. 25, 2013**

Related U.S. Application Data

- (63) Continuation-in-part of application No. 29/430,331, filed on Aug. 23, 2012, now Pat. No. Des. 692,722.
- (51) **LOC (10) Cl.** **07-02**
- (52) **U.S. Cl.**
USPC **D7/402**
- (58) **Field of Classification Search**
USPC D7/323, 409, 402, 504, 704, 669, 368, D7/408; 220/485, 491, 573.1-573.5, 759, 220/912; 99/403, 418, 440, 448, 450, 99/419-427, 421 A, 421 H, 421 HH; 211/181.1, 41.2, 57.1, 74, 85.4, 106
See application file for complete search history.

(56) **References Cited**

U.S. PATENT DOCUMENTS

D849,290	4/1907	Vanderbilt	
D225,157 S	11/1972	Reld	
4,027,583 A	6/1977	Spanek et al.	
D253,156 S	10/1979	Bengloff	
4,458,585 A	7/1984	Erbach	
D280,065 S	8/1985	Pierscinski	
D280,282 S *	8/1985	Erbach	D7/404
D286,498 S	11/1986	Rosenkrantz	
4,633,773 A	1/1987	Jay	
4,709,626 A	12/1987	Hamlyn	
5,069,117 A	12/1991	Schlessel	
5,106,642 A *	4/1992	Ciofalo	426/509
D337,023 S	7/1993	Nielson et al.	

D343,549 S	1/1994	Marshall	
D363,000 S	10/1995	Buff	
D364,074 S	11/1995	Yeh	
5,575,198 A	11/1996	Lowery	
5,791,235 A	8/1998	Anselmo	
D416,169 S	11/1999	Sarnoff et al.	
6,503,551 B1 *	1/2003	Hester	426/523
D479,435 S	9/2003	Siegel et al.	
D493,066 S *	7/2004	Hester	D7/409
D496,221 S	9/2004	Hester	
6,945,161 B1 *	9/2005	Battaglia et al.	99/426
D526,168 S	8/2006	Goodman et al.	
D532,659 S *	11/2006	Britt et al.	D7/669
D535,855 S *	1/2007	Adams	D7/409
D538,609 S	3/2007	Goodman et al.	
D555,980 S	11/2007	Tiemann	
D560,448 S	1/2008	Goodman et al.	

(Continued)

Primary Examiner — Terry Wallace

(74) *Attorney, Agent, or Firm* — QuickPatents; Kevin Prince

(57) **CLAIM**

I claim the ornamental design for a BBQ lemon chicken rack, as shown and described.

DESCRIPTION

FIG. 1 is a perspective view of a BBQ lemon chicken rack, showing my new design with a chicken holding element in a first rotational orientation;

FIG. 2 is a perspective view thereof, illustrated with the chicken holding element in a second, opposite rotational orientation;

FIG. 3 is a rear elevational view of FIG. 1;

FIG. 4 is a front elevational view of FIG. 1;

FIG. 5 is a left-side elevational view thereof;

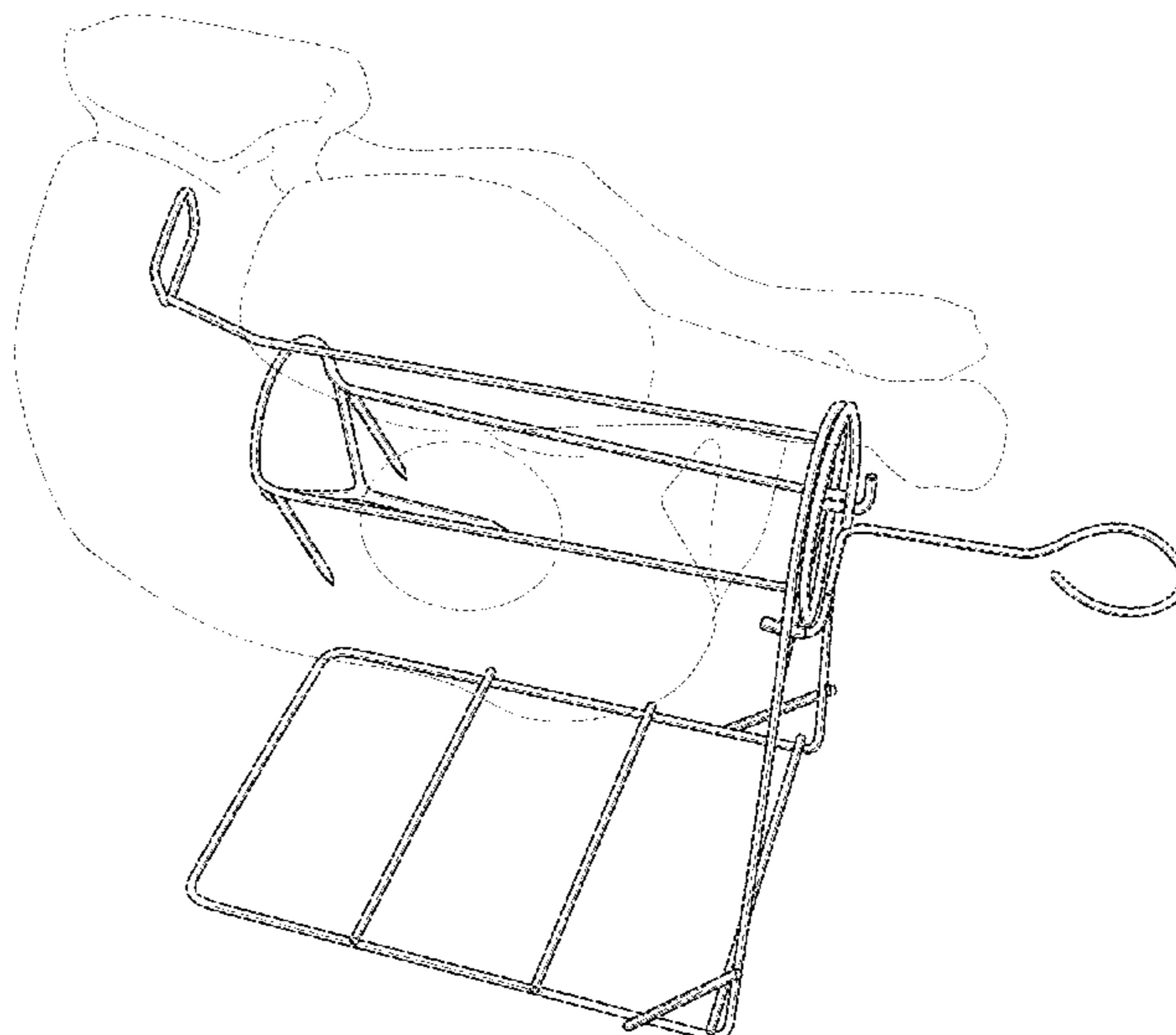
FIG. 6 is a right-side elevational view thereof;

FIG. 7 is a top plan view thereof; and,

FIG. 8 is a bottom plan view thereof.

The broken lines showing a chicken in FIG. 1 depict environmental matter and form no part of the claimed design.

1 Claim, 5 Drawing Sheets



US D717,596 S

Page 2

(56)

References Cited

U.S. PATENT DOCUMENTS

D592,468 S 5/2009 Goodman et al.
D599,167 S 9/2009 Tiemann

D612,693 S * 3/2010 Accardo D7/669
D648,174 S 11/2011 Lu
2006/0266227 A1 11/2006 Britt et al.

* cited by examiner

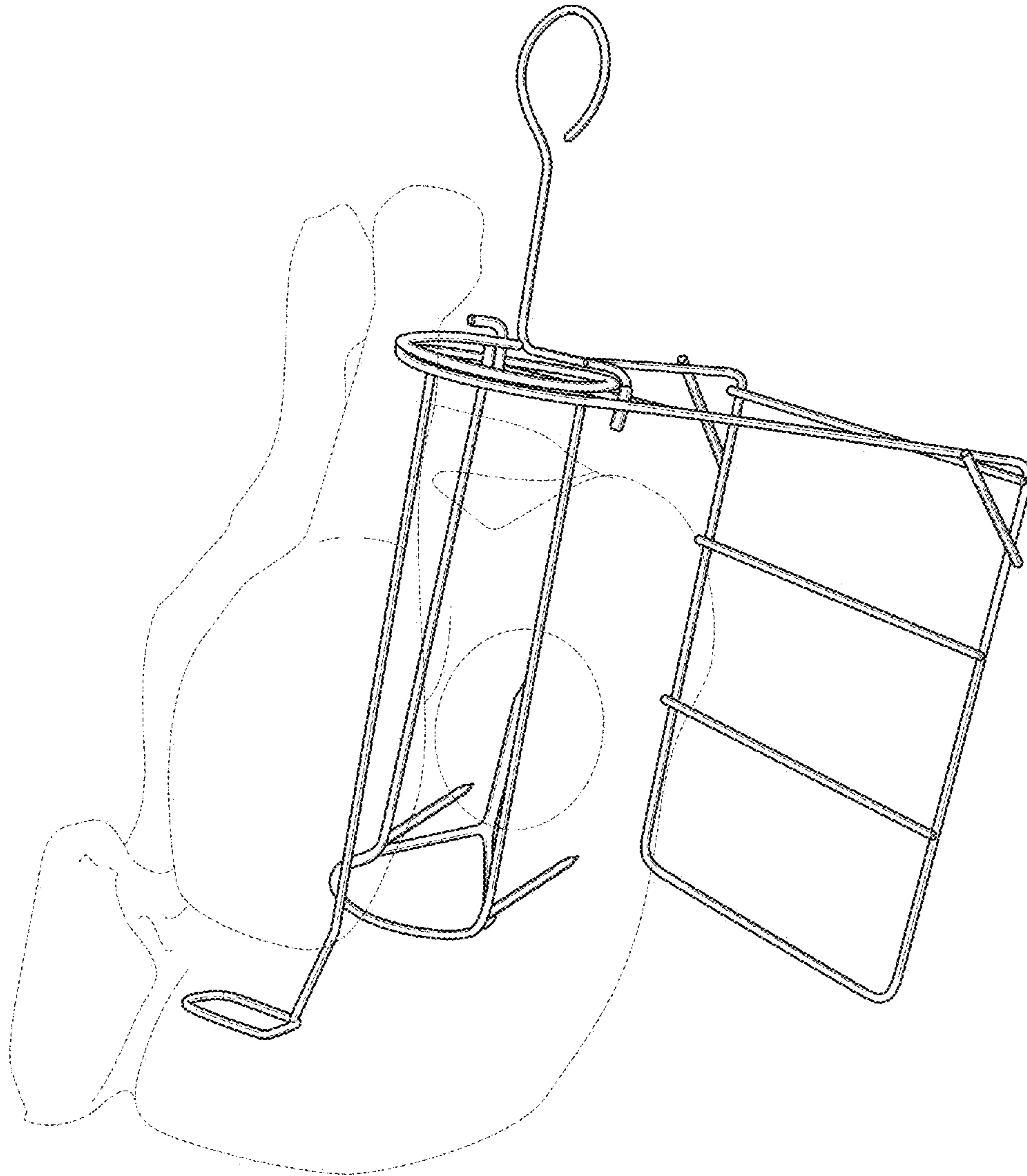


FIG. 1

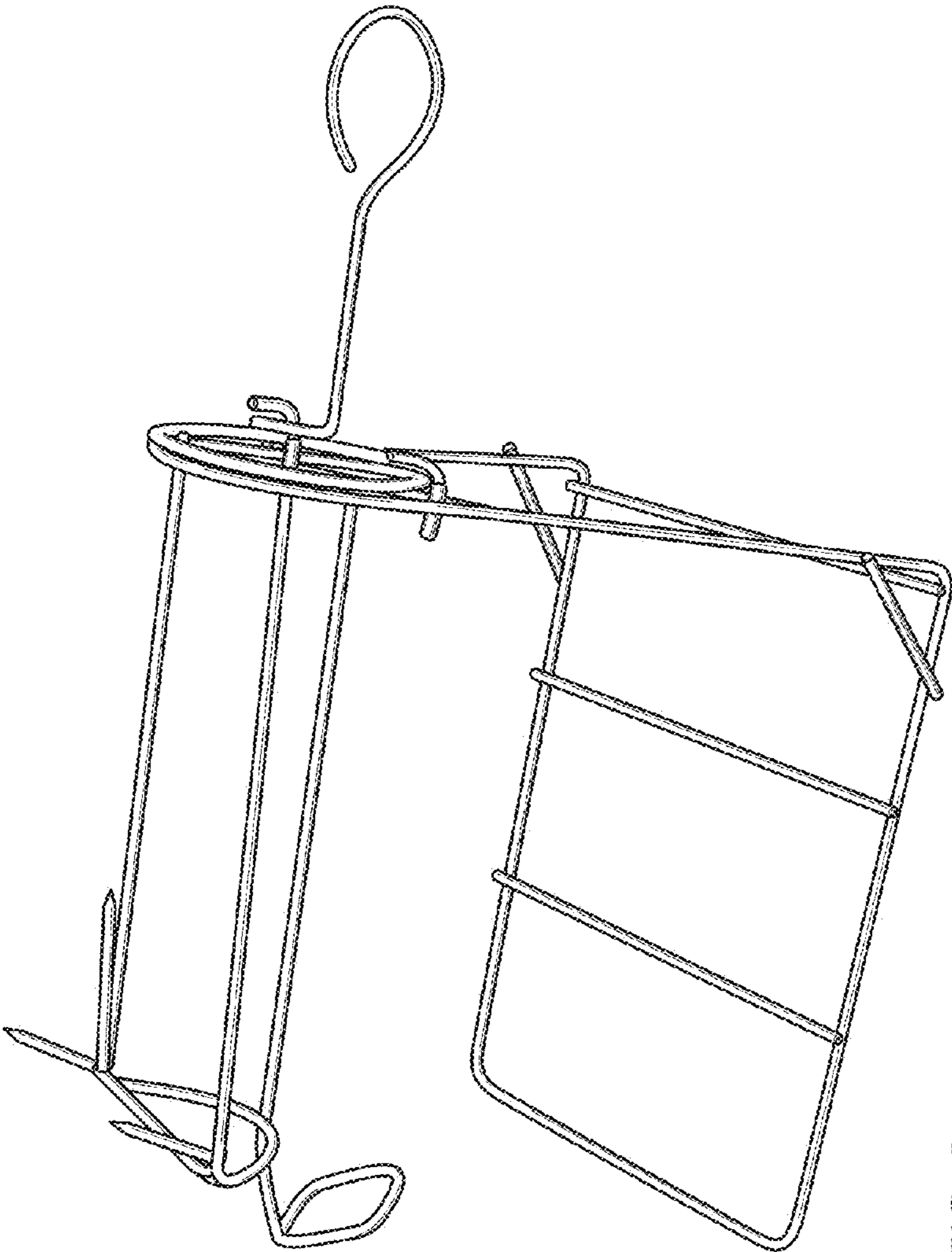


FIG. 2

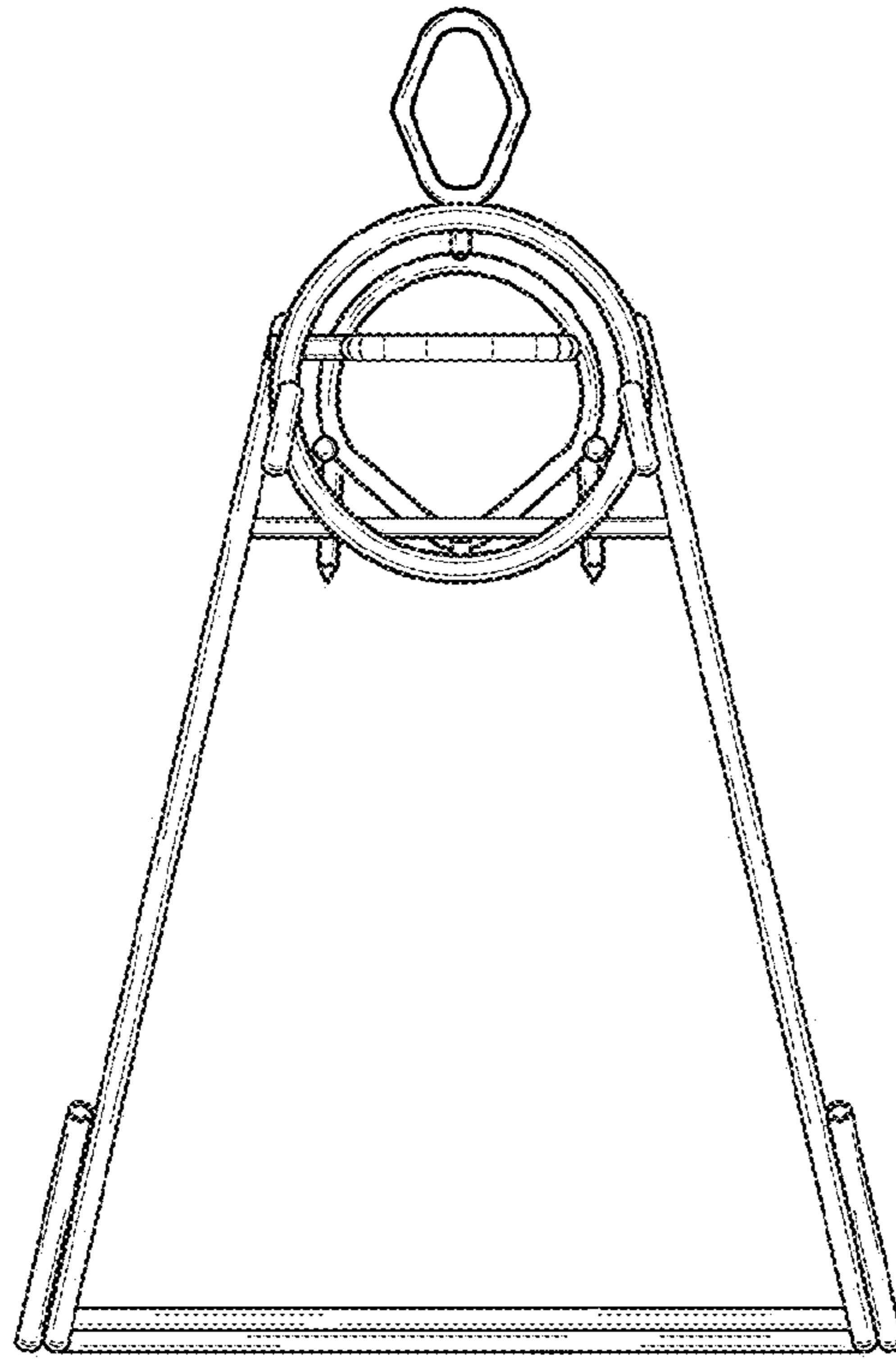


FIG. 3

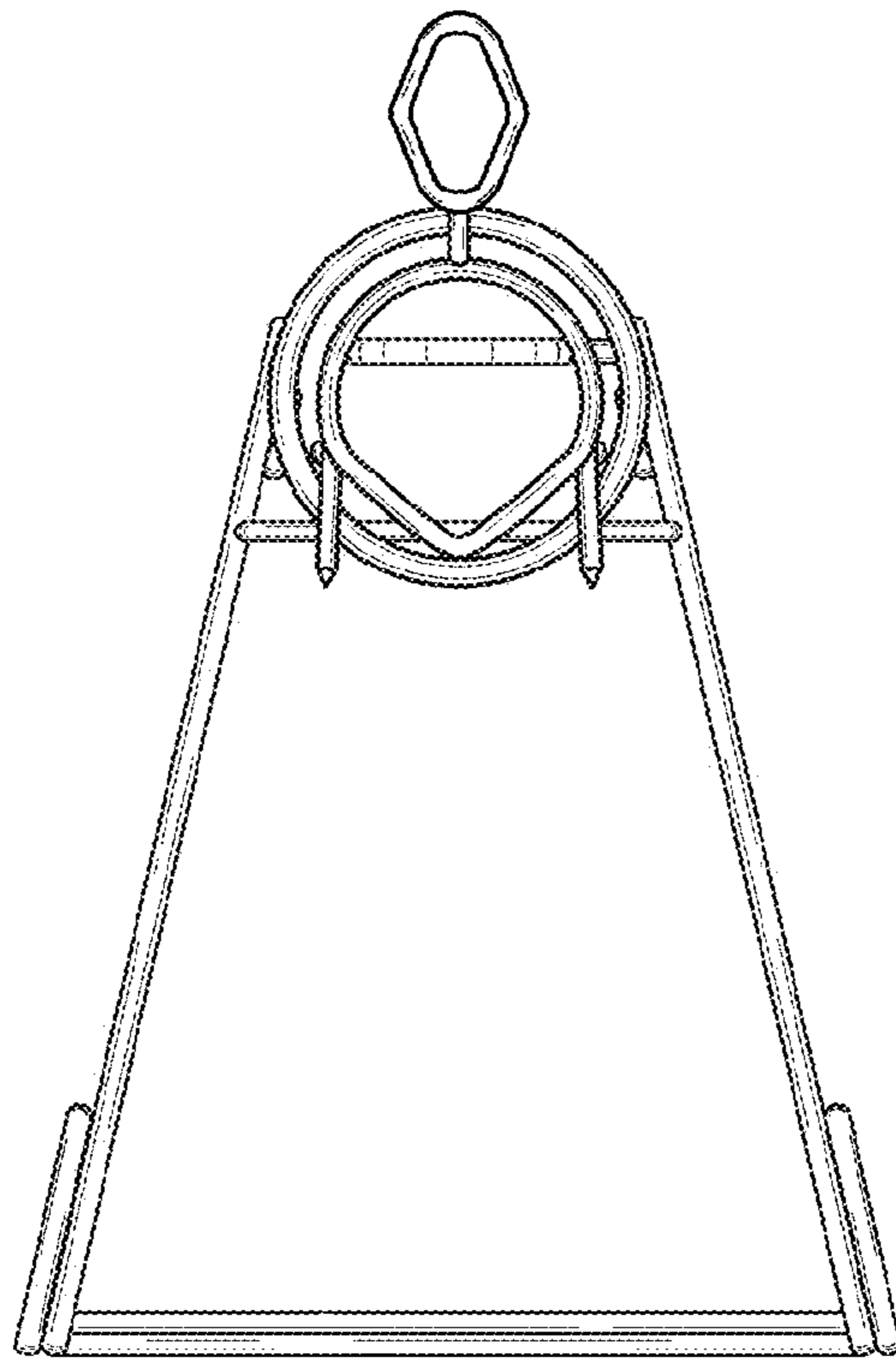


FIG. 4

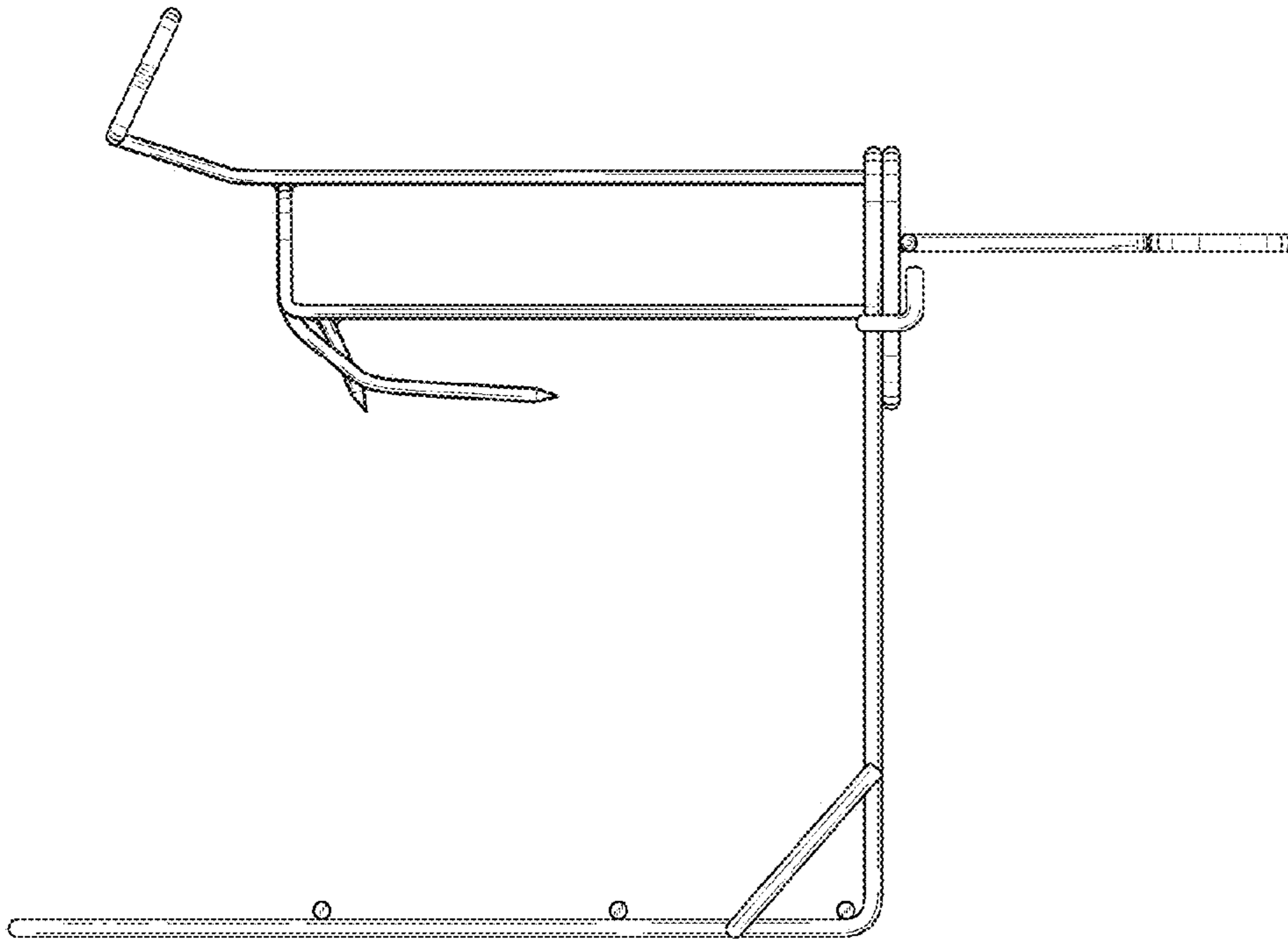


FIG. 5

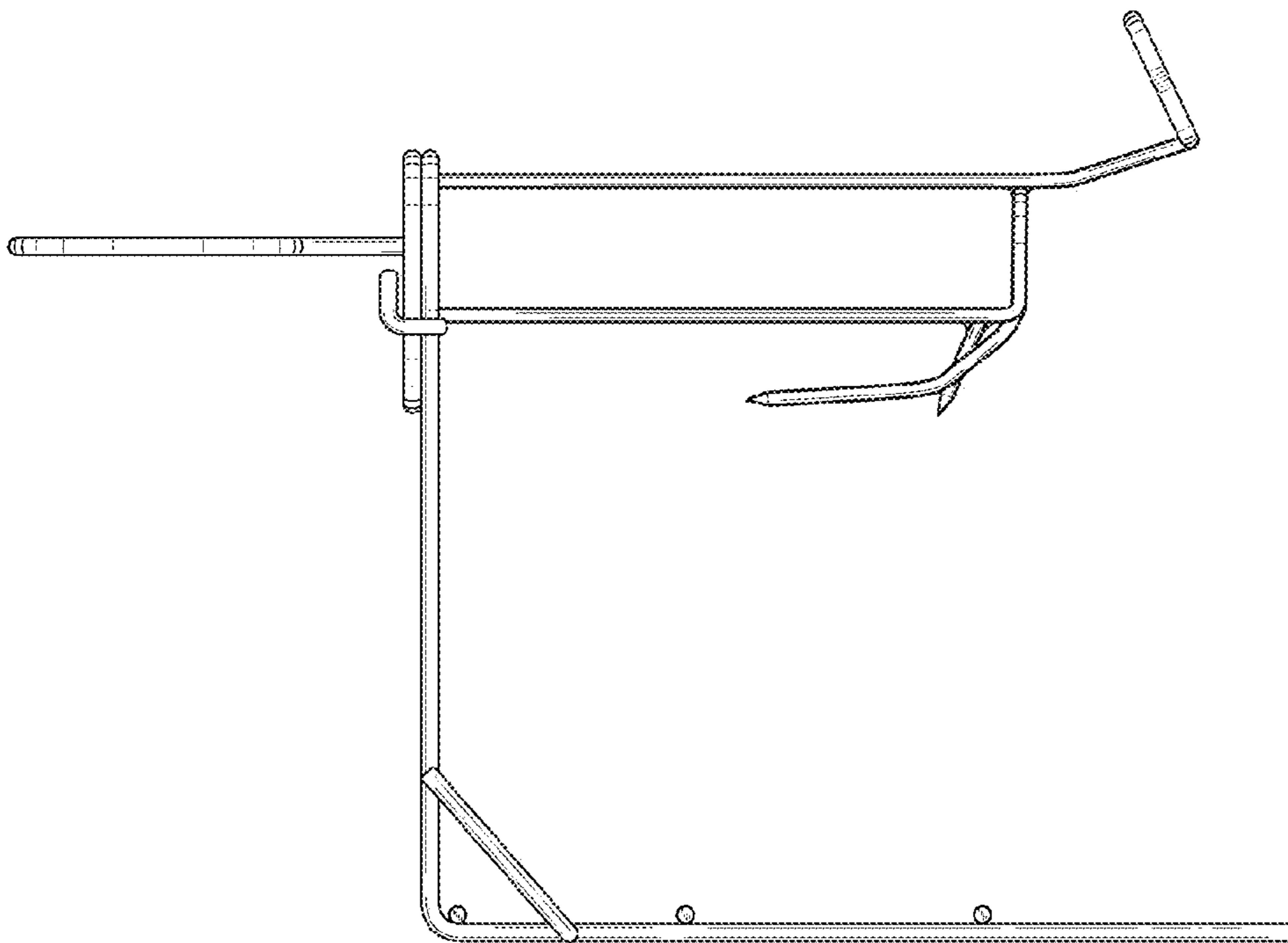


FIG. 6

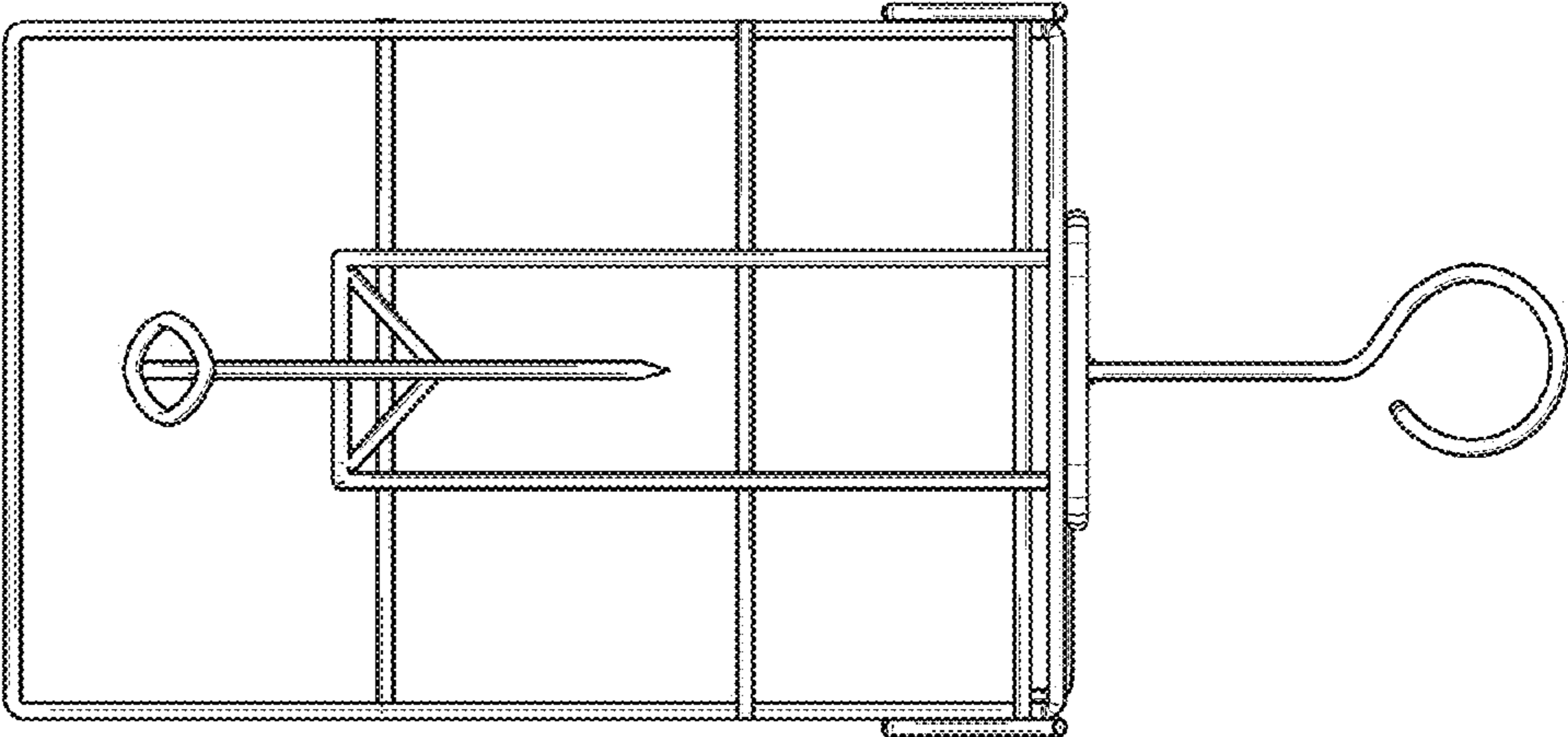


FIG. 7

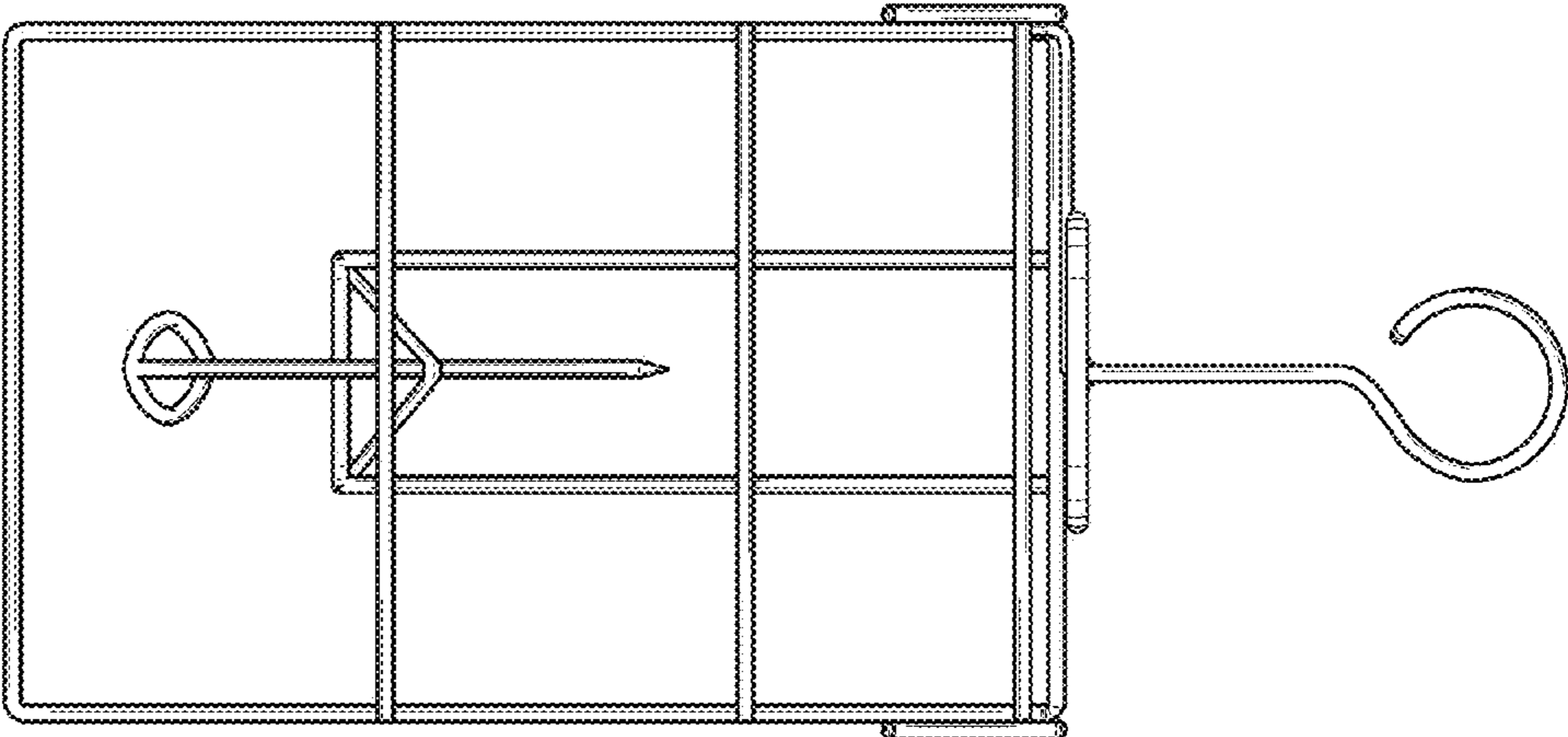


FIG. 8