



US00D717591S

(12) **United States Design Patent**
Bond

(10) **Patent No.:** **US D717,591 S**

(45) **Date of Patent:** **** Nov. 18, 2014**

(54) **BEVERAGE DISPENSING BAR GUN**

(71) Applicant: **Schroeder Industries, Inc.**, San Antonio, TX (US)

(72) Inventor: **Kenneth D. Bond**, San Antonio, TX (US)

(73) Assignee: **Schroeder Industries, Inc.**, San Antonio, TX (US)

(**) Term: **14 Years**

(21) Appl. No.: **29/438,559**

(22) Filed: **Nov. 30, 2012**

(51) **LOC (10) Cl.** **07-99**

(52) **U.S. Cl.**
USPC **D7/398; D7/397**

(58) **Field of Classification Search**
CPC B67D 1/0084; B67D 1/0086
USPC D7/395, 397, 398, 412, 308; 222/144.5,
222/129.1; D8/315; D23/255, 238
See application file for complete search history.

(56) **References Cited**

U.S. PATENT DOCUMENTS

845,905	A *	3/1907	Stocks et al.	91/165
1,947,329	A	2/1934	Buttner	
2,887,250	A	5/1959	Zilk	
2,937,792	A	5/1960	Firstenerg	
4,497,421	A *	2/1985	Schilling	222/144.5
4,619,378	A	10/1986	de Man	
D301,056	S *	5/1989	Paul	D23/242
4,921,140	A	5/1990	Belcham	
D309,232	S	7/1990	Valiyee et al.	
4,986,449	A	1/1991	Valiyee et al.	
5,042,692	A	8/1991	Valiyee et al.	
D342,777	S *	12/1993	Paul	D23/257
D348,799	S *	7/1994	Munari	D7/395
D519,617	S *	4/2006	Hoernig	D23/255
D521,613	S *	5/2006	Hoernig	D23/255

D522,092	S *	5/2006	Hoernig	D23/238
D583,905	S *	12/2008	Oh	D23/238
7,658,006	B2 *	2/2010	Schroeder	29/890.142
D615,162	S *	5/2010	Pan	D23/255
D628,014	S *	11/2010	Martindale	D7/398
7,931,382	B2 *	4/2011	Hecht	362/96
D638,659	S	5/2011	Martindale et al.	
8,109,413	B2 *	2/2012	Schroeder et al.	222/145.5

(Continued)

OTHER PUBLICATIONS

Wunder-Bar Food & Beverage Dispensing Systems, Post-Mix Beverage Dispenser, Automatic Bar Controls, Inc., Rev. 120508 Dec. 5, 2008.

Primary Examiner — Marianne Pandozzi

(74) *Attorney, Agent, or Firm* — Jackson Walker, LLP

(57) **CLAIM**

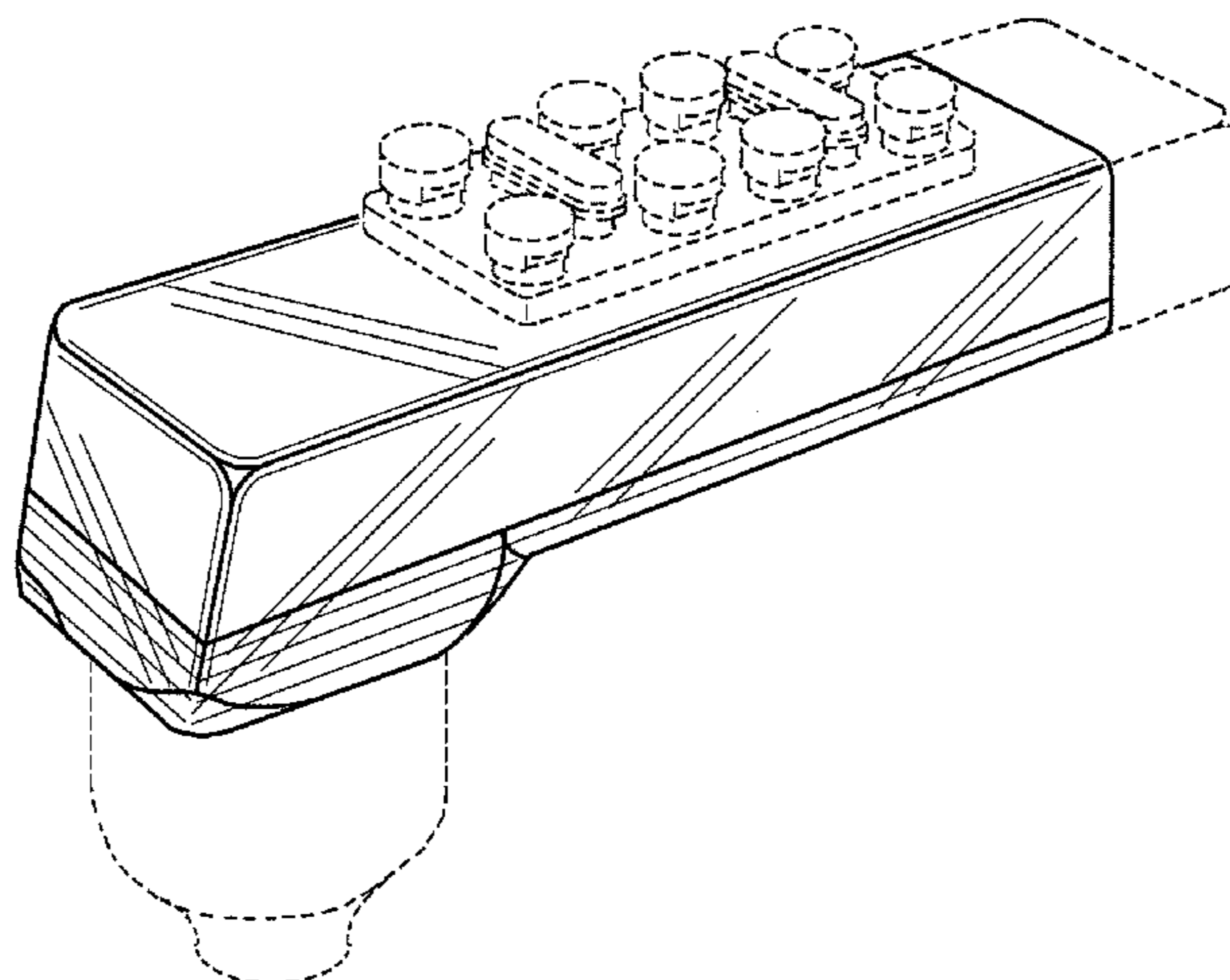
The ornamental design for a beverage dispensing bar gun, as shown and described.

DESCRIPTION

FIG. 1 is a top plan view of a beverage dispensing bar gun showing my new design;
FIG. 2 is a left side elevational view thereof;
FIG. 3 is a bottom plan view thereof;
FIG. 4 is a right side elevational view thereof;
FIG. 5 is a front elevational view thereof;
FIG. 6 is a rear elevational view thereof;
FIG. 7 is a perspective view thereof;
FIG. 8 is a cross-sectional view thereof taken along line 8-8 in FIG. 2; and,
FIG. 9 is a cross-sectional view thereof taken along line 9-9 in FIG. 2.

The drawing is lined for color. The broken line showing of portions of the beverage dispensing bar gun is for the purpose of illustrating portions of the beverage dispensing bar gun and forms no part of the claimed design.

1 Claim, 5 Drawing Sheets



(56)

References Cited

U.S. PATENT DOCUMENTS

D657,026 S * 4/2012 Berger et al. D23/255
D666,869 S * 9/2012 Martindale et al. D7/398
8,387,829 B2 * 3/2013 Schroeder et al. 222/144.5
8,418,888 B2 * 4/2013 Schroeder et al. 222/145.5
D697,753 S * 1/2014 Brown D7/398

D701,592 S * 3/2014 Zhenqiang et al. D23/238
2008/0217357 A1 * 9/2008 Hecht 222/108
2009/0145927 A1 * 6/2009 Salmela et al. 222/144.5
2010/0147886 A1 * 6/2010 Martindale 222/113
2011/0073617 A1 * 3/2011 Martindale et al. 222/144.5
2011/0286883 A1 * 11/2011 Hecht et al. 422/24
2012/0328855 A1 * 12/2012 Yokogi et al. 428/195.1

* cited by examiner

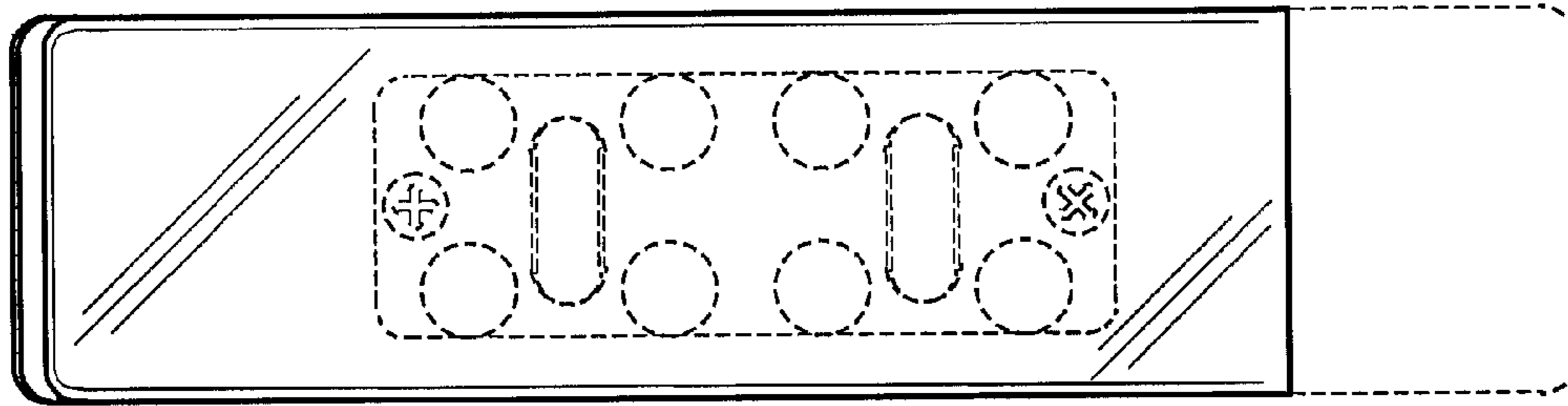


Fig. 1

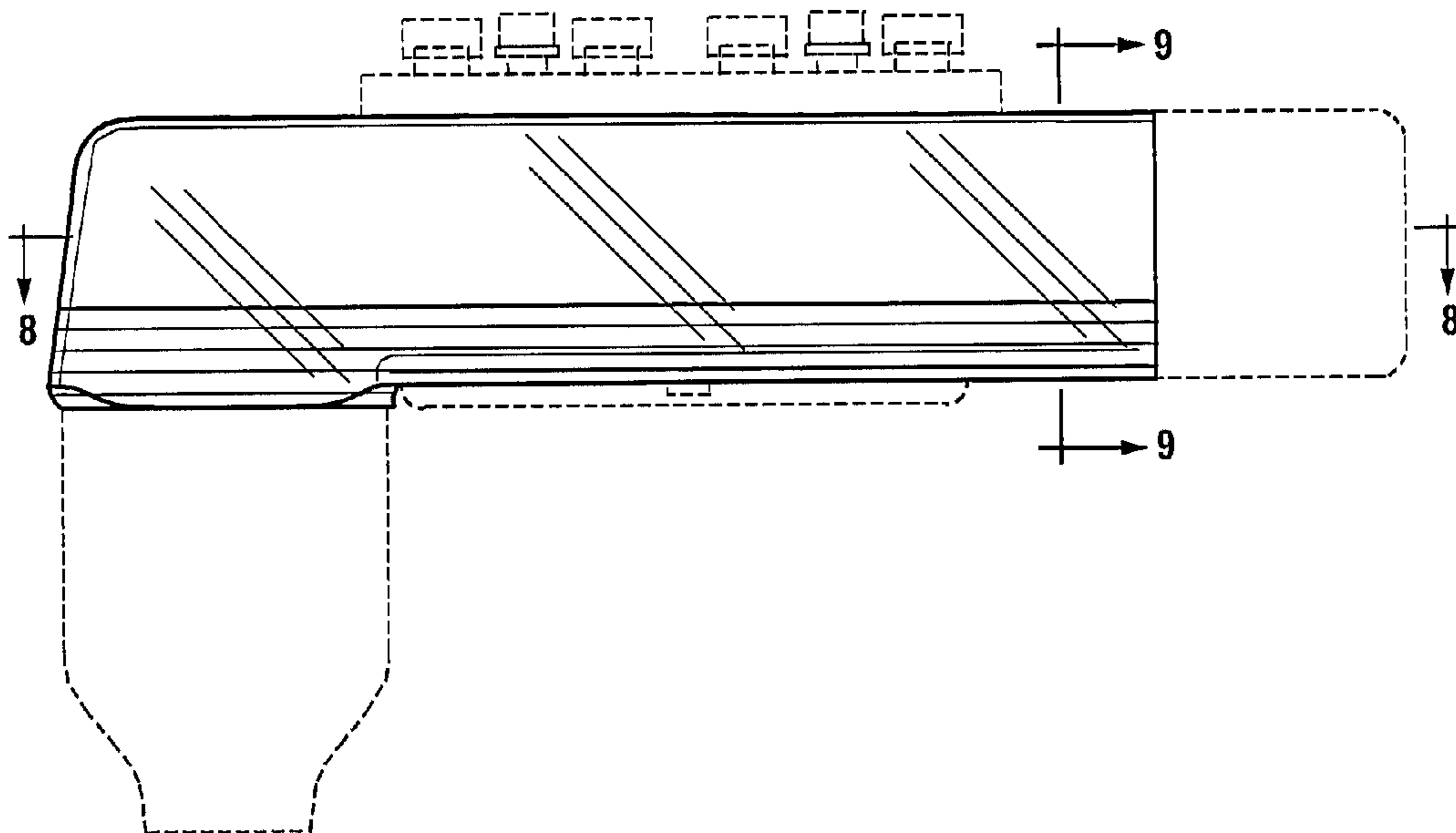


Fig. 2

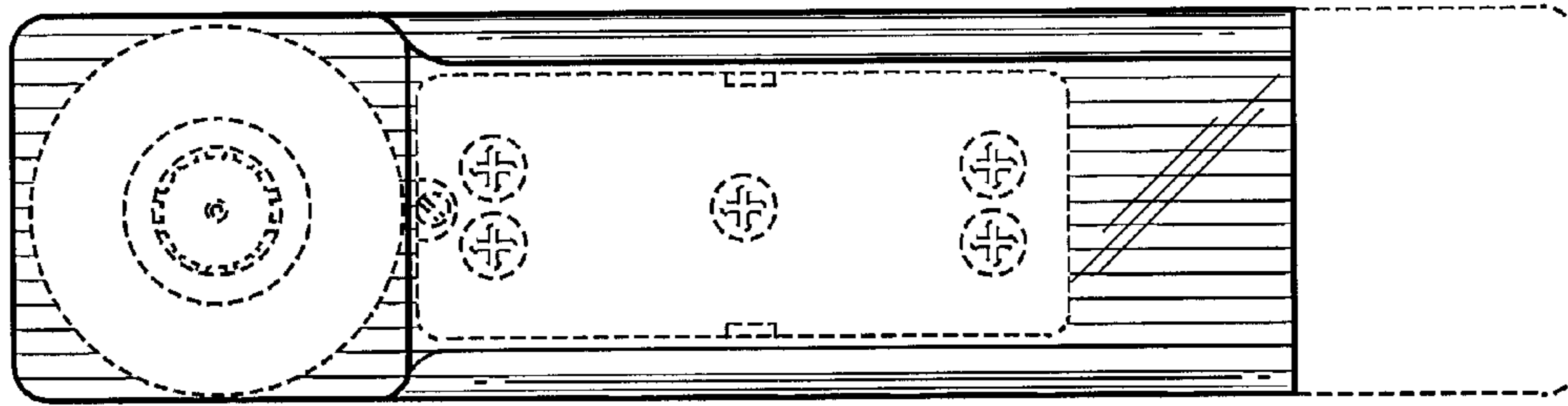


Fig. 3

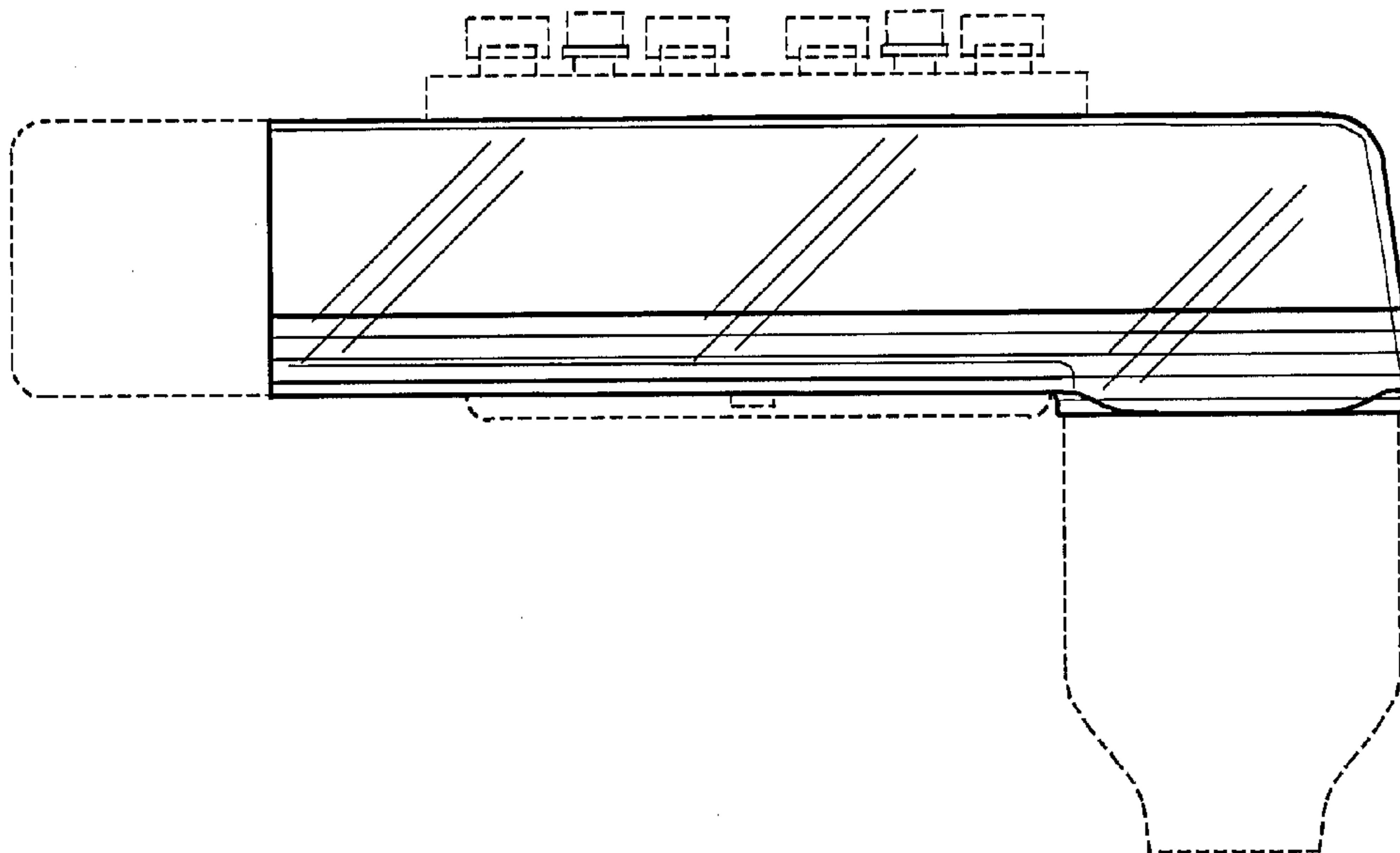


Fig. 4

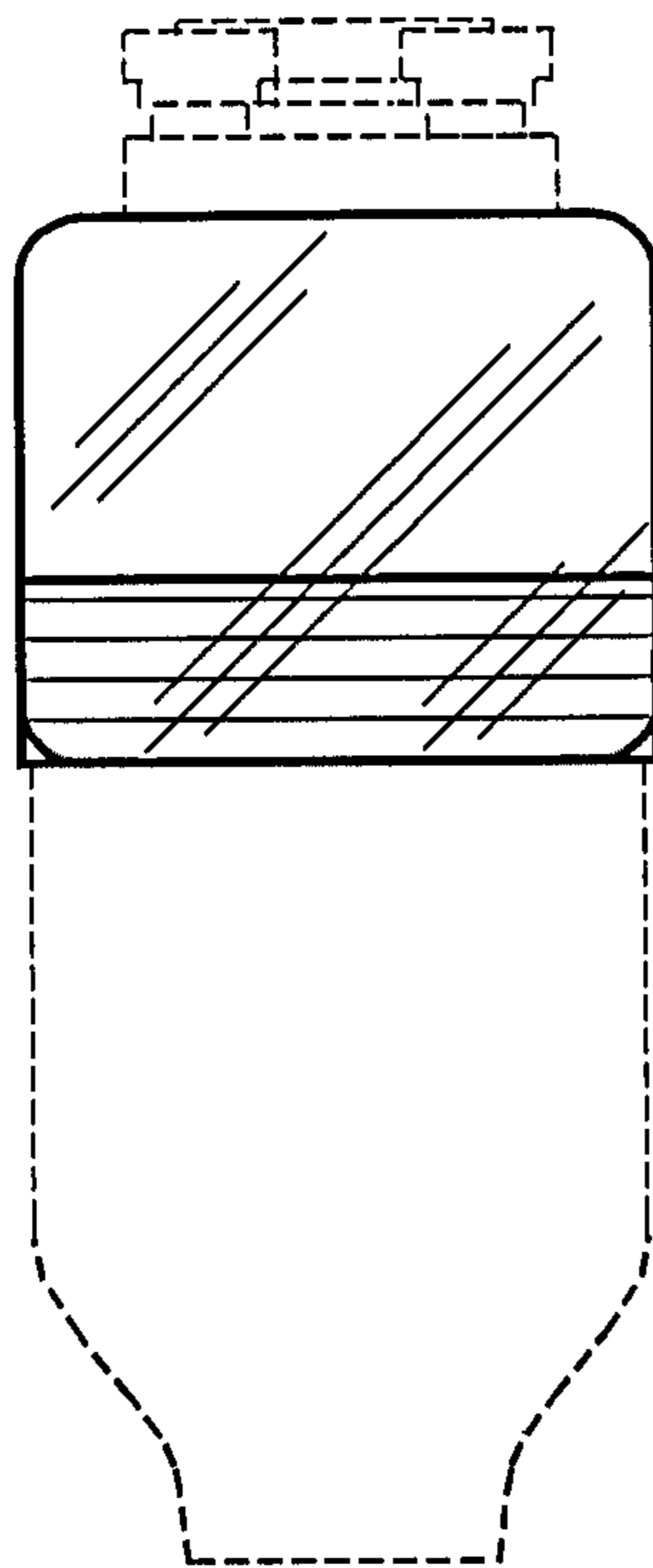


Fig. 5

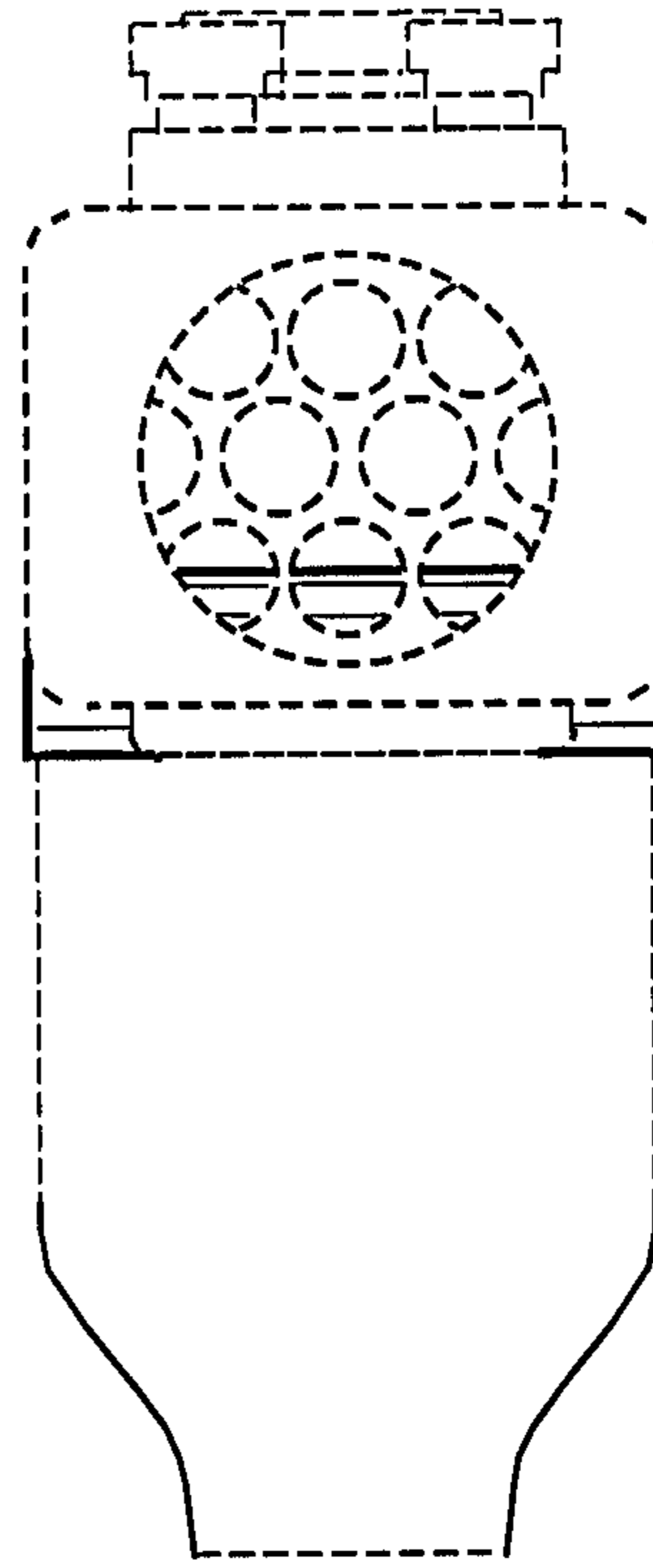


Fig. 6

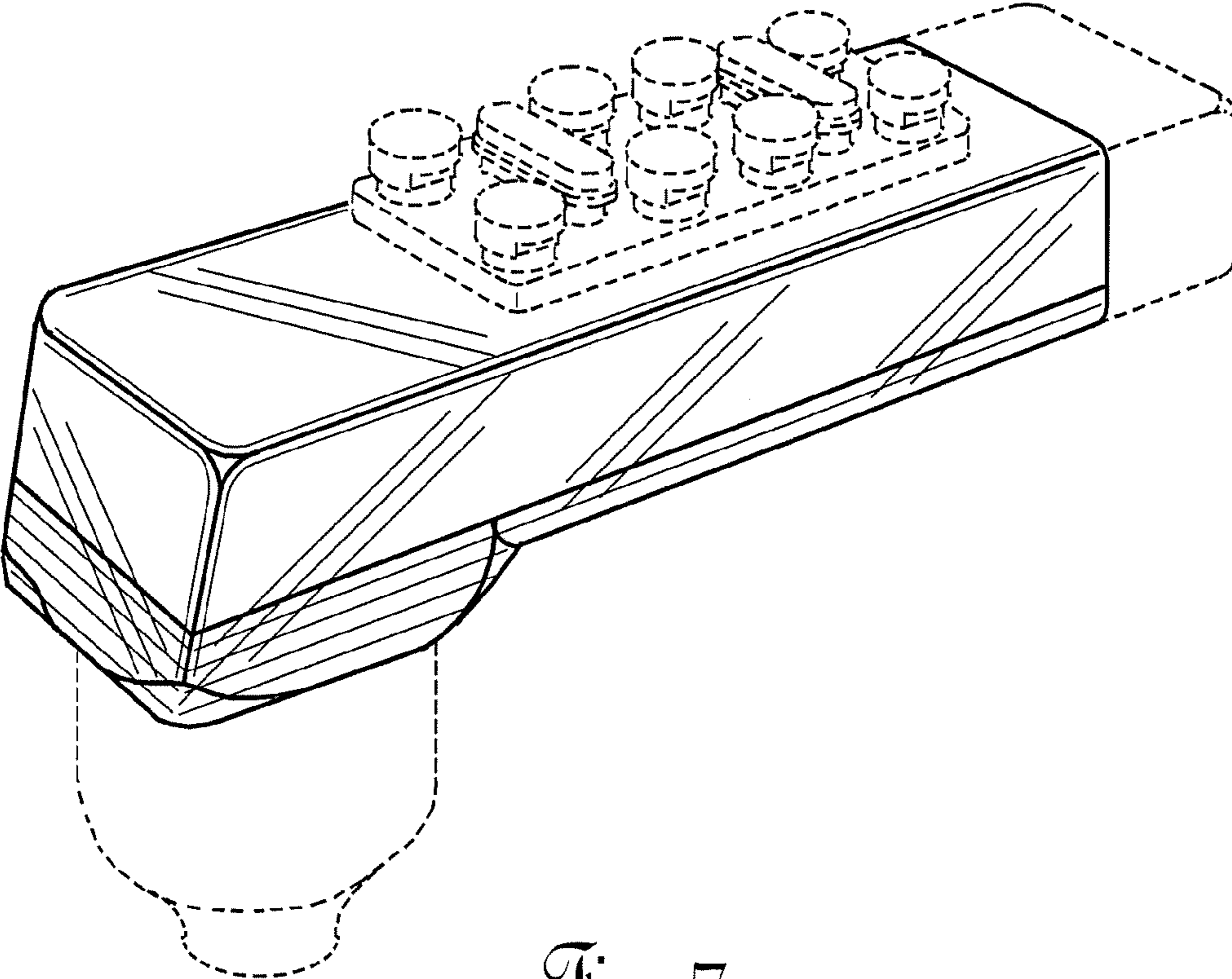


Fig. 7

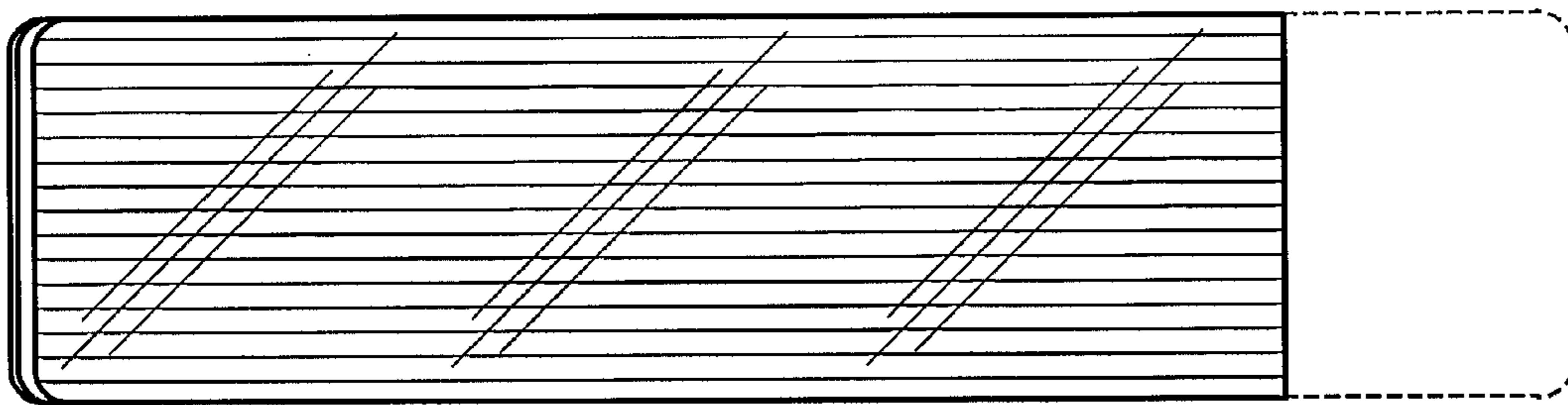


Fig. 8

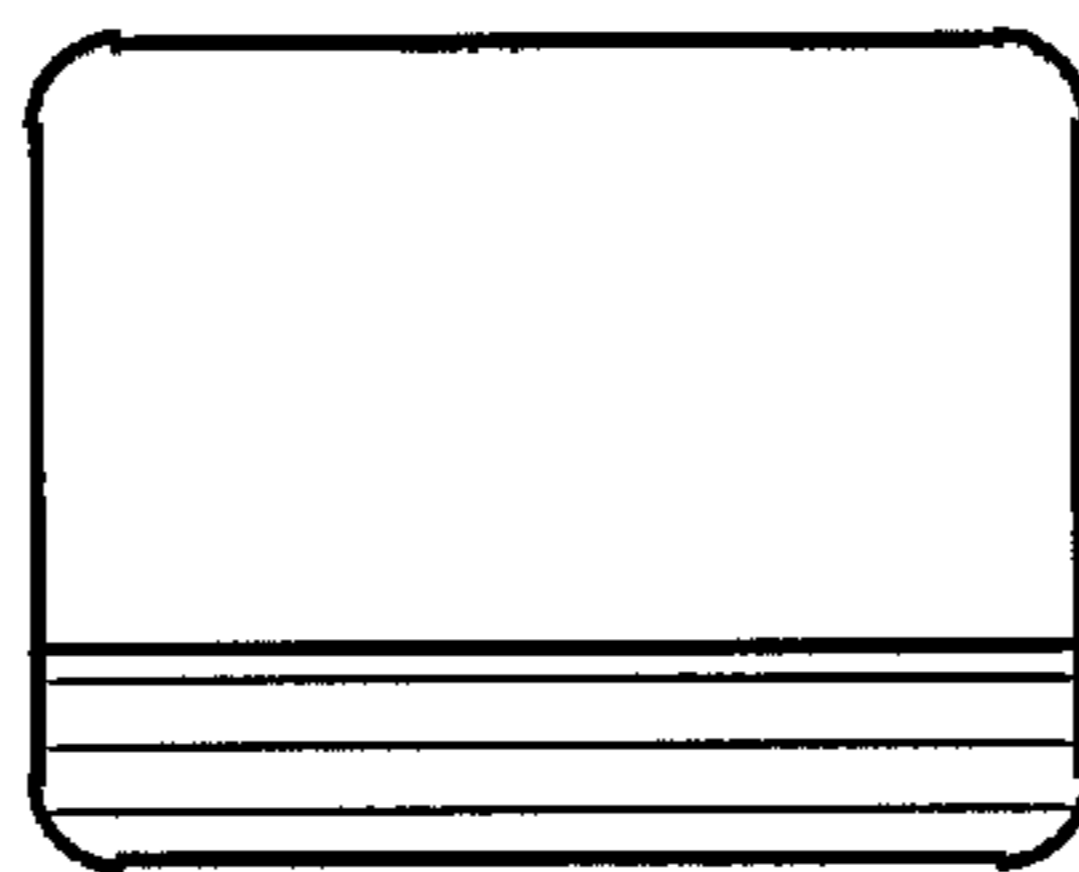


Fig. 9