



US00D717588S

(12) **United States Design Patent**
Vu et al.

(10) **Patent No.:** **US D717,588 S**

(45) **Date of Patent:** **** Nov. 18, 2014**

(54) **FOOD PROCESSOR**

241/285.1–285.3, 291, 292.1; 366/64–65,
366/97–98, 100, 130, 197–201, 205–207,
366/219–220, 341–343

(71) Applicant: **De’Longhi Braun Household GmbH**,
Neu-Isenburg (DE)

See application file for complete search history.

(72) Inventors: **Duy Phong Vu**, Schwalbach am Taunus
(DE); **Markus Orthey**, Eltville am
Rhein (DE); **Sven Wuttig**, Griesheim
(DE); **Dennis Müller**, Frankfurt am
Main (DE)

(56)

References Cited

U.S. PATENT DOCUMENTS

D282,620	S	*	2/1986	Cavalli	D7/384
D293,873	S	*	1/1988	Maass	D7/384
4,799,626	A	*	1/1989	Hickel et al.	241/37.5
D328,999	S	*	9/1992	Maass	D7/384
D392,150	S	*	3/1998	Tanaka et al.	D7/384
5,875,706	A	*	3/1999	Borger et al.	99/492
D413,227	S	*	8/1999	Alonge et al.	D7/384
D418,362	S	*	1/2000	Wong	D7/384

(Continued)

(73) Assignee: **De’Longhi Braun Household GmbH**,
Neu-Isenburg (DE)

(**) Term: **14 Years**

Primary Examiner — Ricky Pham

(21) Appl. No.: **29/483,979**

(74) *Attorney, Agent, or Firm* — Fish & Richardson P.C.

(22) Filed: **Mar. 5, 2014**

(30) **Foreign Application Priority Data**

Oct. 30, 2013 (EM) 002335950-0002

(51) **LOC (10) Cl.** **31-00**

(52) **U.S. Cl.**
USPC **D7/384; D7/376; D7/386; D7/412**

(58) **Field of Classification Search**

CPC A21C 1/02; A21C 1/04; A23N 1/00;
A23N 1/02; A47J 43/04; A47J 43/25; A47J
43/27; A47J 43/044; A47J 43/046; A47J
43/075; A47J 43/0722; A47J 43/0727; A47J
43/087; B01F 3/00; B01F 3/0807; B01F
3/0853; B01F 13/0059; B01F 13/0064;
B02C 1/08; B02C 2/04; B02C 4/42; B02C
4/142; B02C 4/143; B02C 4/423; B02C
13/1835; B28C 5/10; B28C 5/12; B28C 5/14;
B28C 5/16
USPC D7/372, 376–386, 412–413, 602, 629,
D7/665–666, 669, 679, 693–694; 99/492,
99/509–511; 241/37.5, 92, 98,
241/101.01–101.2, 166–169.1, 274–278.2,

(57)

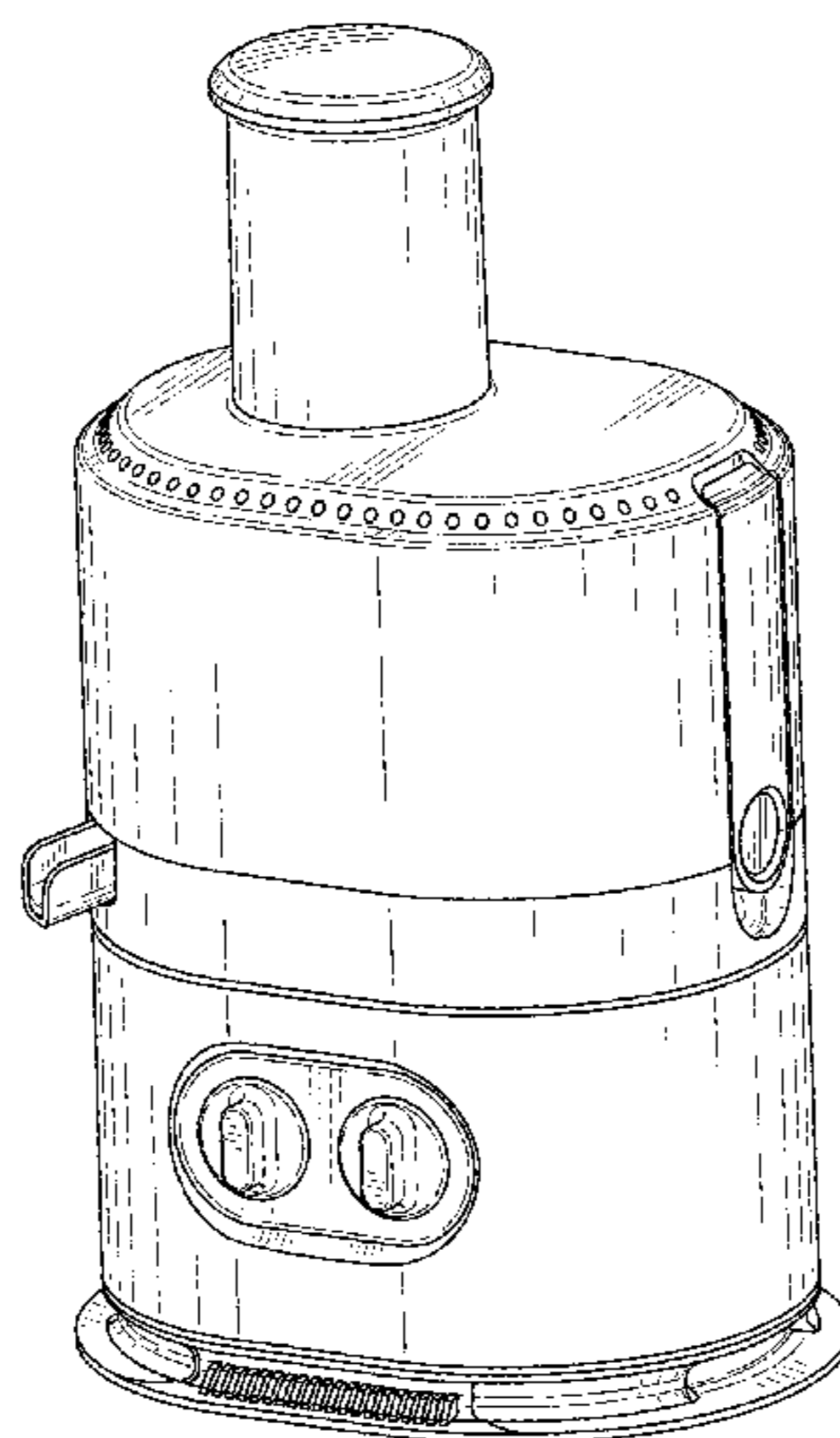
CLAIM

The ornamental design for a food processor, substantially as shown and described.

DESCRIPTION

FIG. 1 is a bottom view of a food processor of the design.
FIG. 2 is a top view of a food processor of the design.
FIG. 3 is a left side view of a food processor of the design.
FIG. 4 is a rear view of a food processor of the design.
FIG. 5 is an opposite, right side view of a food processor of the design.
FIG. 6 is a front view of a food processor of the design; and,
FIG. 7 is a top, front and left side perspective view of a food processor of the design.

1 Claim, 4 Drawing Sheets



US D717,588 S

Page 2

(56)

References Cited

U.S. PATENT DOCUMENTS

6,202,547 B1 * 3/2001 Tseng et al. 99/511
7,419,111 B2 * 9/2008 Gursel 241/282.1

D582,204 S * 12/2008 Garman D7/378
D662,353 S * 6/2012 Vulliermet D7/376
D700,009 S * 2/2014 Lebosse D7/381

* cited by examiner

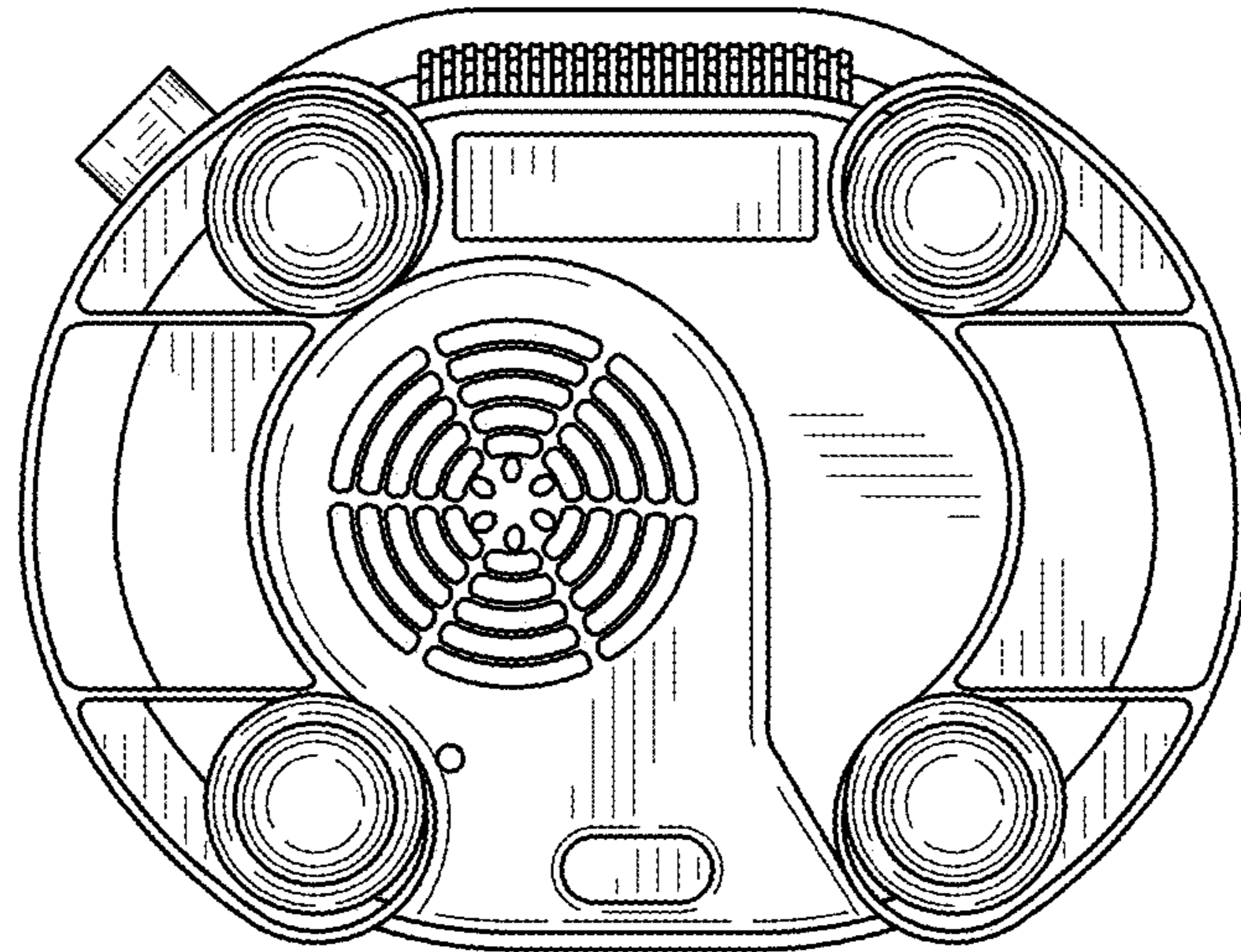


FIG. 1

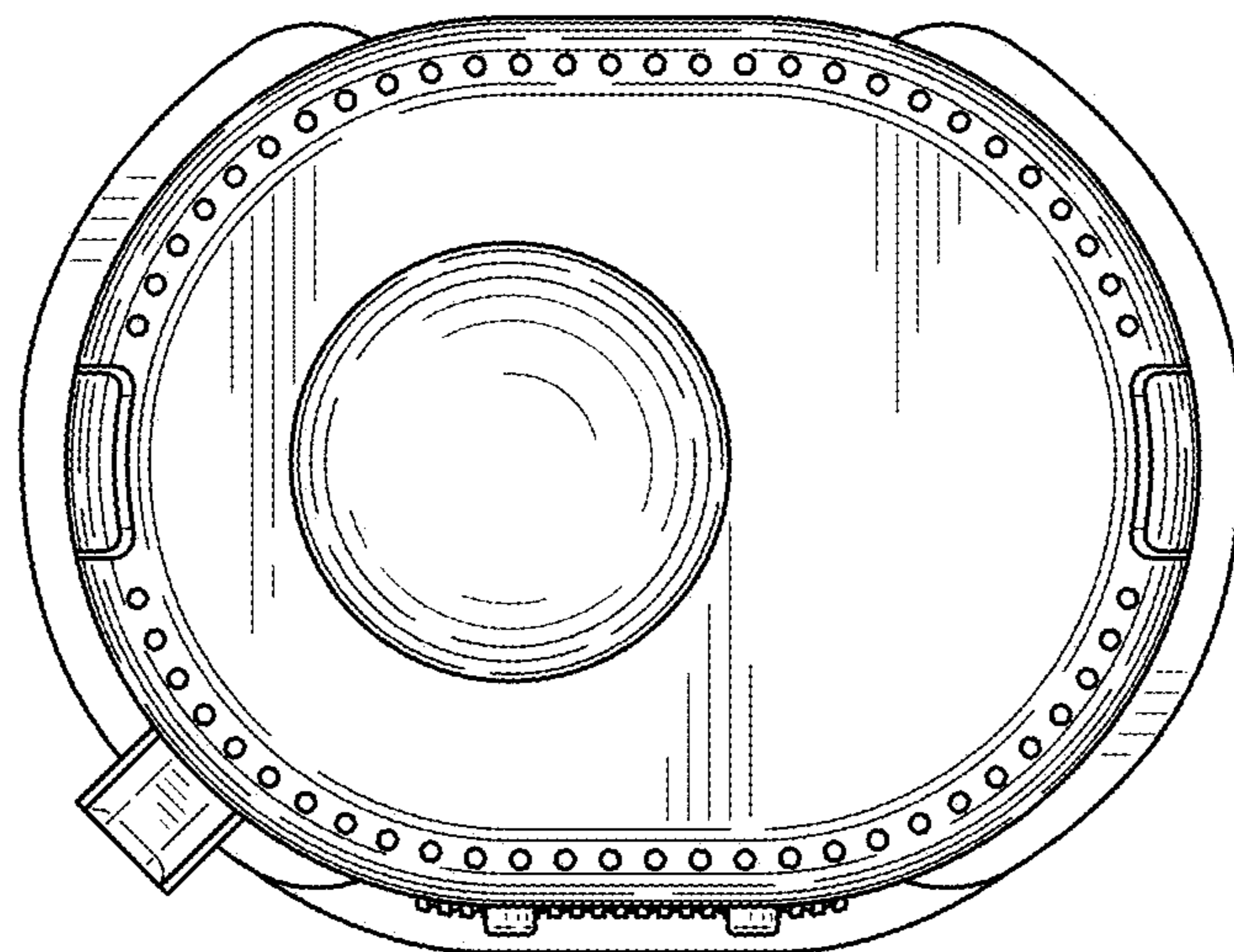


FIG. 2

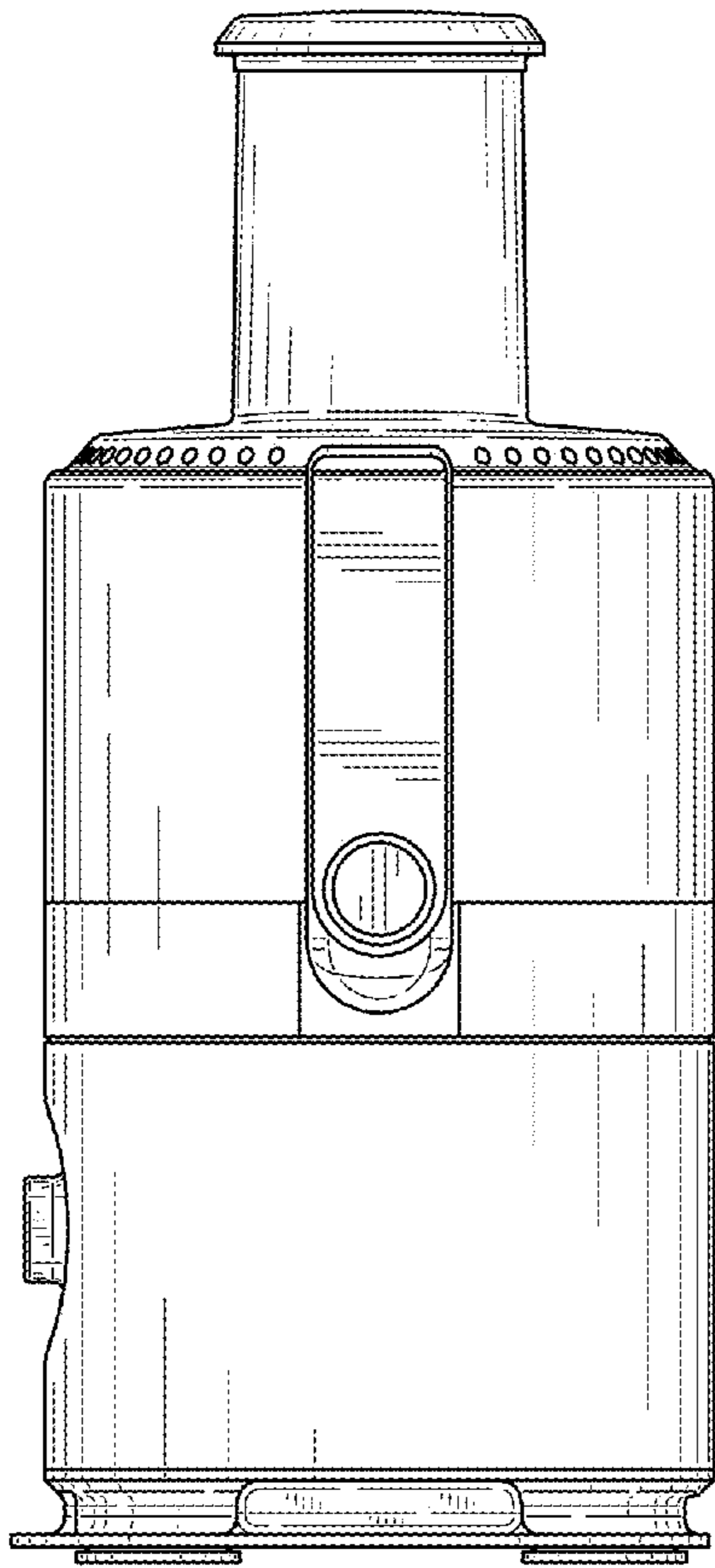


FIG. 3

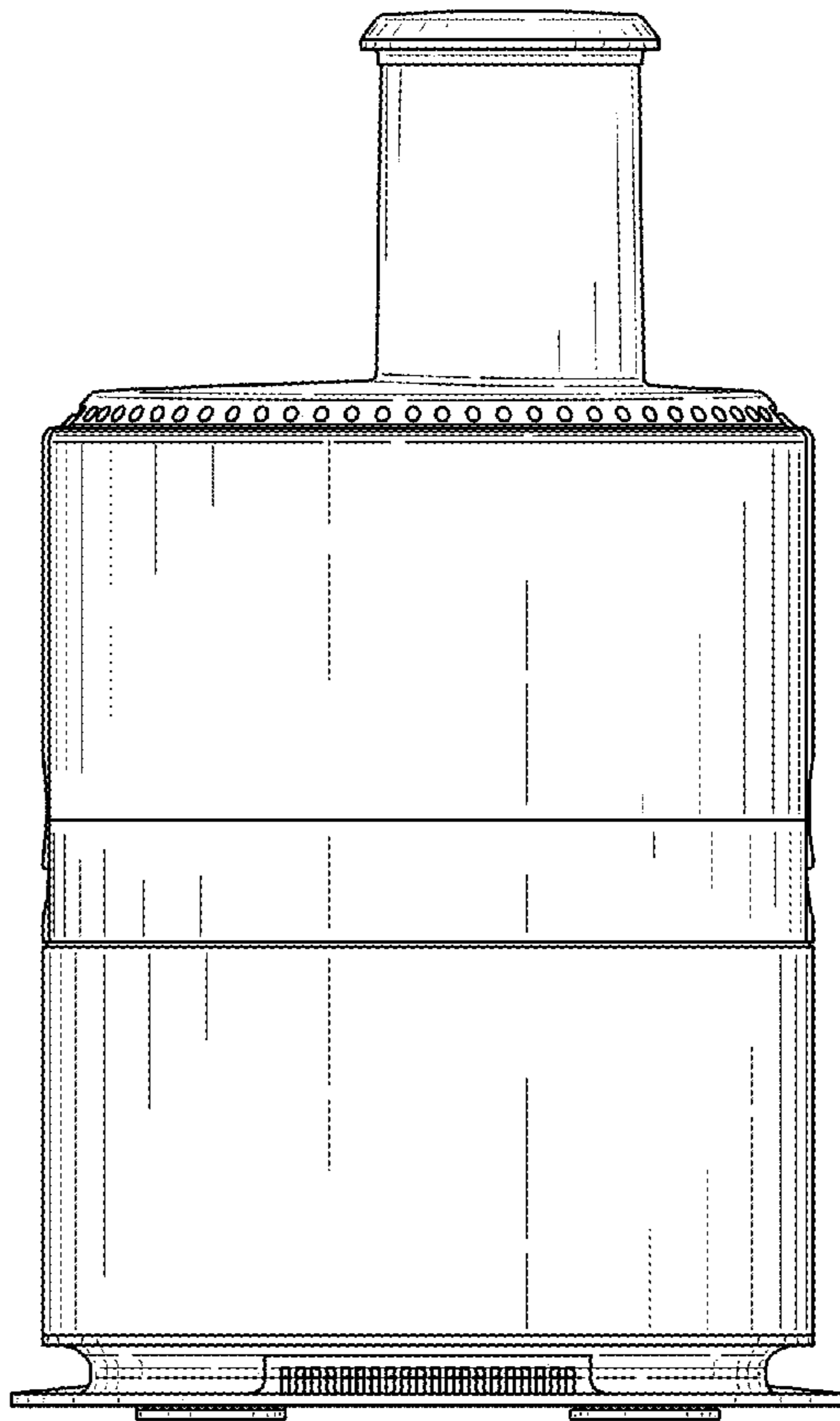


FIG. 4

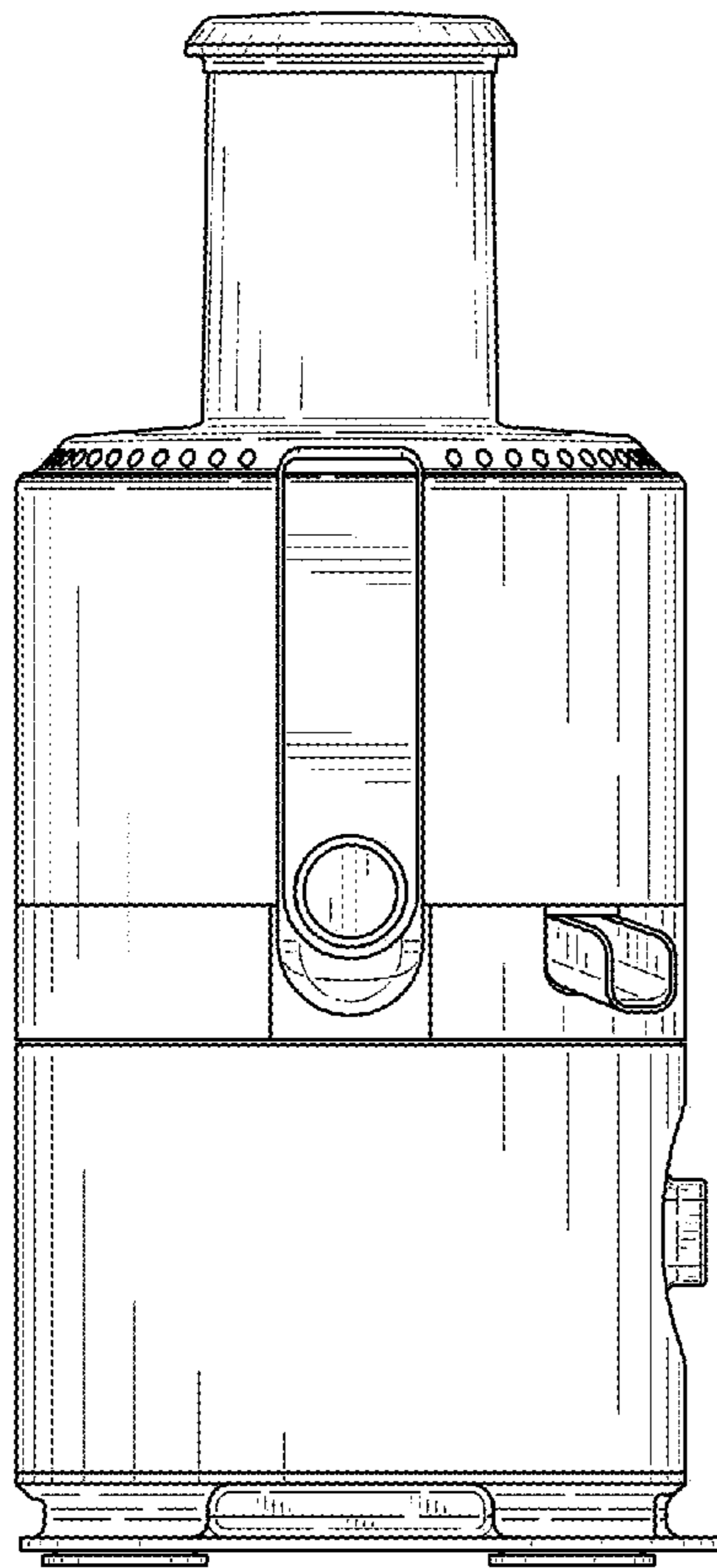


FIG. 5

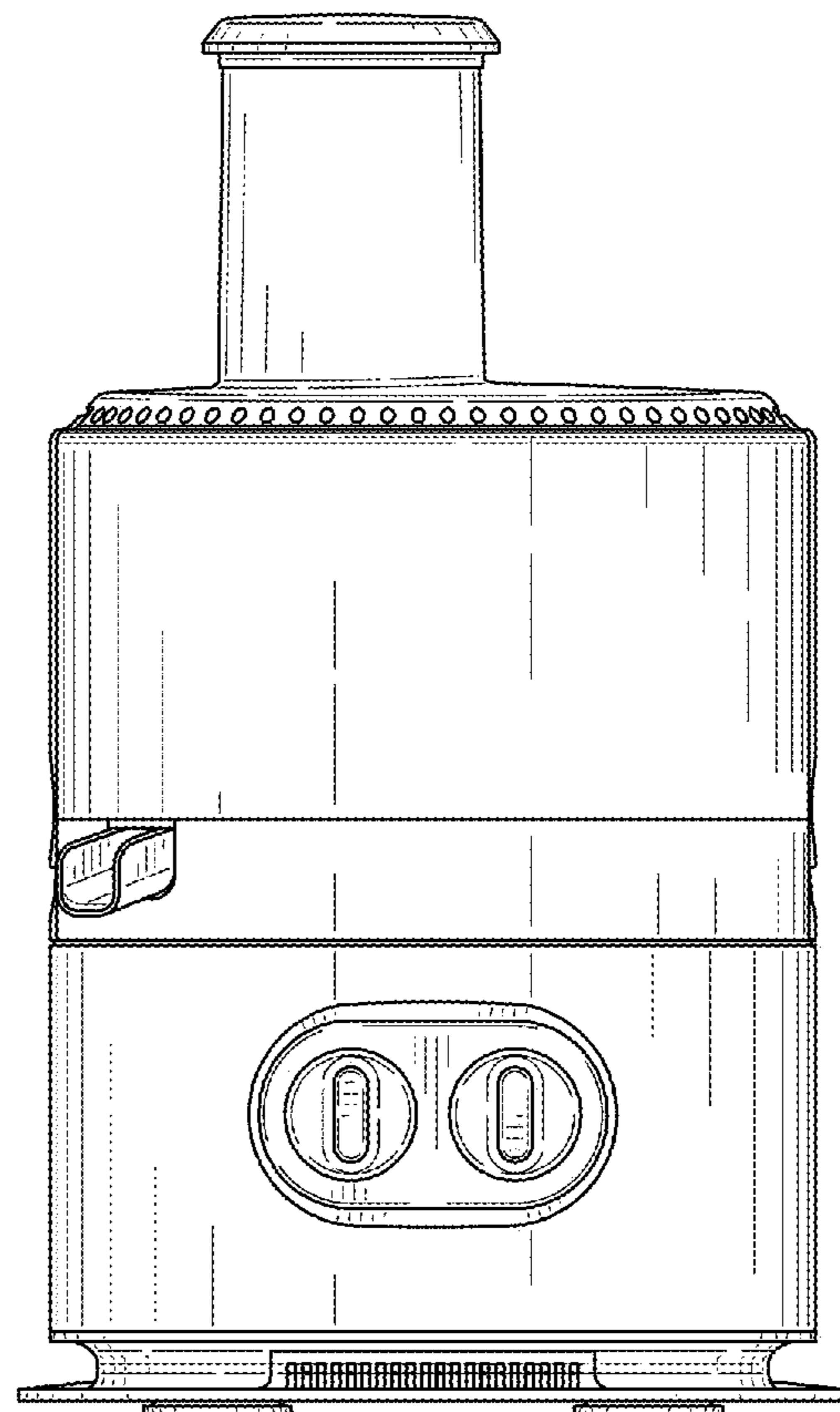


FIG. 6

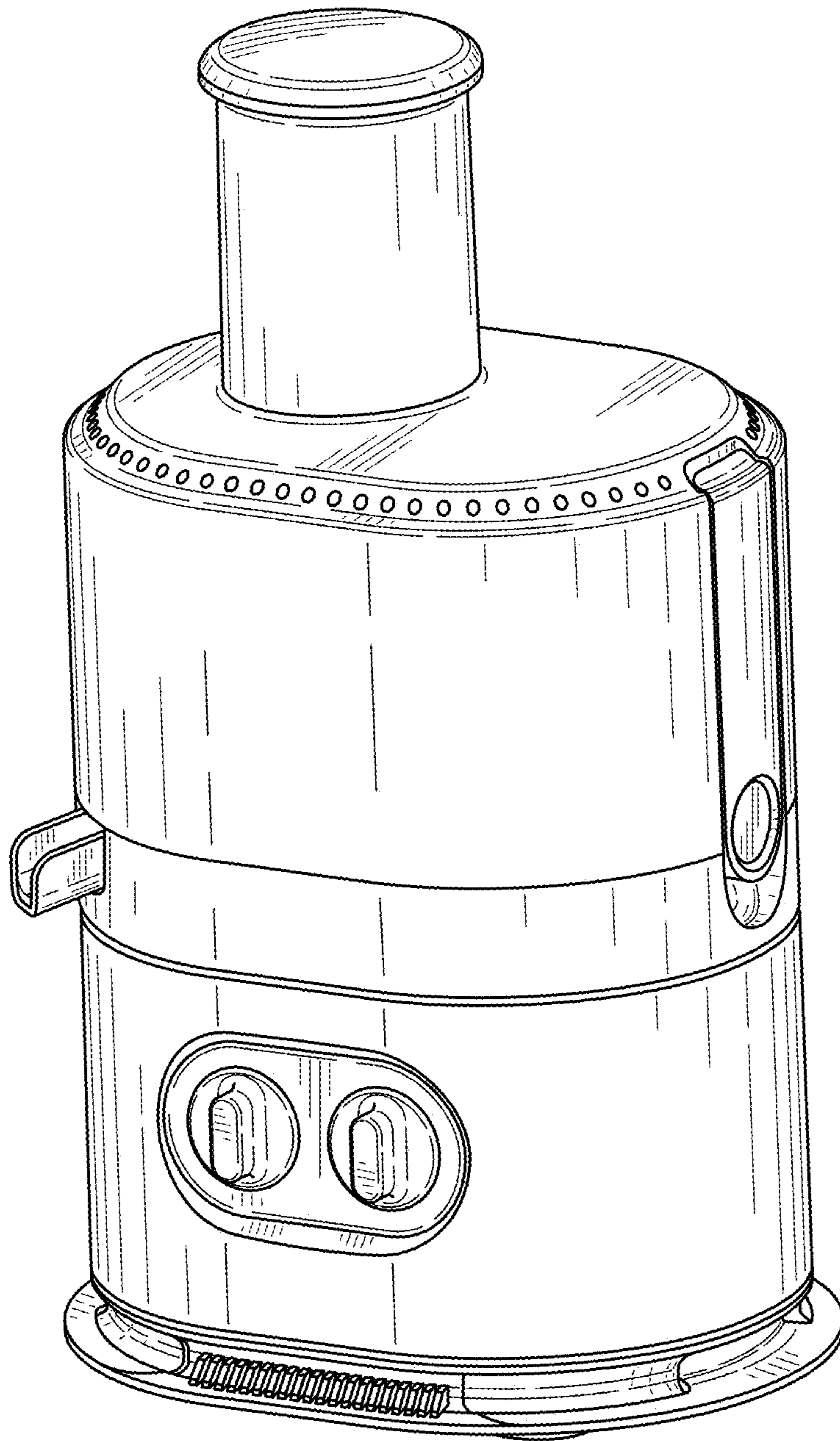


FIG. 7