



US00D717587S

(12) **United States Design Patent**
Taghizadeh et al.

(10) **Patent No.:** **US D717,587 S**

(45) **Date of Patent:** **** Nov. 18, 2014**

(54) **TISSUE MINCING TOOL**

USPC D7/372, 376-386, 665-666, 669,
D7/678-679, 693-694; 99/495, 501-513;
100/94-95, 98 R, 144, 147; 241/33-34,
241/36-37.5, 82.1, 82.4-82.5, 92-93, 100,
241/168-169, 273.1; 366/197, 204, 206,
366/251, 258, 341, 347

(71) Applicant: **Auxocell Laboratories, Inc.**,
Cambridge, MA (US)

(72) Inventors: **Rouzbeh R. Taghizadeh**, Cambridge,
MA (US); **Matthew C. Carpenter**,
North Attleboro, MA (US); **David J.**
Copeland, Minnetonka, MN (US);
Matthew J. Perry, East Greenwich, RI
(US); **Paul A. Puniello**, Bristol, RI (US)

See application file for complete search history.

(56) **References Cited**

U.S. PATENT DOCUMENTS

(73) Assignee: **Auxocell Laboratories, Inc.**,
Cambridge, MA (US)

2,695,643 A * 11/1954 Aberer 241/92
D215,390 S * 9/1969 McGee D7/383

(Continued)

(**) Term: **14 Years**

Primary Examiner — Ricky Pham

(21) Appl. No.: **29/488,458**

(74) *Attorney, Agent, or Firm* — Goodwin Procter LLP

(22) Filed: **Apr. 18, 2014**

(51) **LOC (10) Cl.** **31-00**

(52) **U.S. Cl.**

USPC **D7/372**

(58) **Field of Classification Search**

CPC A01F 2015/07; A01F 2015/077; A01F
2015/0775; A23N 1/00; A23N 1/02; A47J
19/00; A47J 19/005; A47J 19/02; A47J
19/025; A47J 19/04; A47J 19/06; A47J 42/32;
A47J 42/34; A47J 42/36; A47J 43/044;
A47J 43/25; A47J 43/255; B01F 7/26; B01F
7/28; B01F 11/0082; B01F 13/04; B02C
13/00; B02C 13/02; B02C 13/10; B02C 18/06;
B02C 18/26; B02C 18/30; B02C 18/302;
B02C 18/304; B02C 18/305; B02C 25/00;
B02C 2002/00; B02C 2013/00; B02C 2013/14;
B02C 2013/145; B02C 2013/18; B02C
2013/1807; B02C 2013/1857; B02C
2013/1864; B30B 9/00; B30B 9/16; B30B
9/18; B30B 9/20; B30B 9/26; B30B 9/205;
B30B 9/207

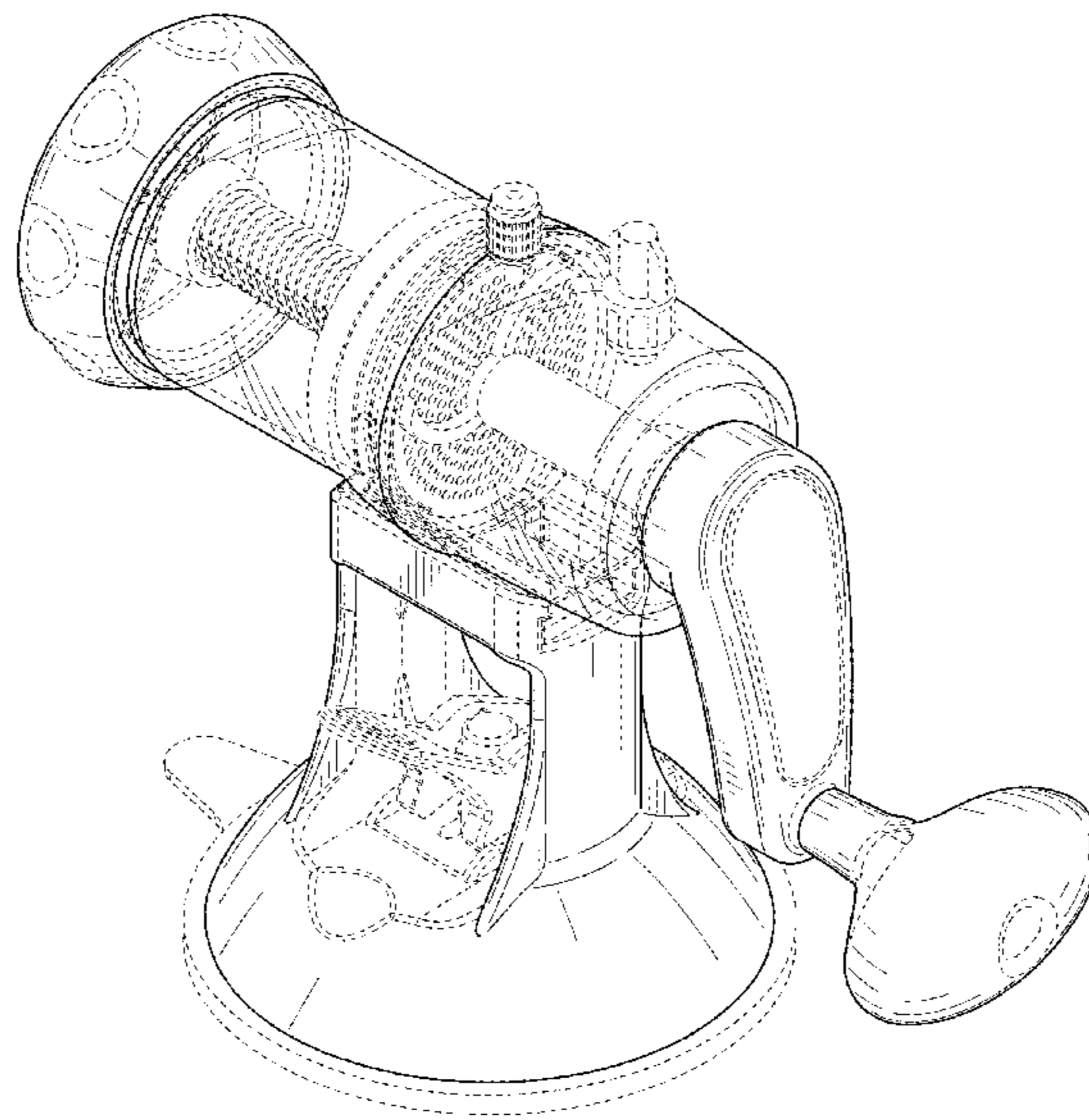
(57) **CLAIM**

The ornamental design for a tissue mincing tool, as shown and described.

DESCRIPTION

FIG. 1 is a top, front perspective view of a tissue mincing tool; FIG. 2 is a bottom, rear perspective view of the tissue mincing tool; FIG. 3 is a front view of the tissue mincing tool; FIG. 4 is a rear view of the tissue mincing tool; FIG. 5 is a right side view of the tissue mincing tool; FIG. 6 is a left side view of the tissue mincing tool; FIG. 7 is a top view of the tissue mincing tool; and, FIG. 8 is a bottom view of the tissue mincing tool. The broken lines shown in the drawings of a tissue mincing tool are for illustrative purposes only and form no part of the claimed design.

1 Claim, 5 Drawing Sheets



(56)

References Cited

U.S. PATENT DOCUMENTS

D233,123 S * 10/1974 Rigamonti D7/372
D424,889 S * 5/2000 Yip D7/679
D484,738 S * 1/2004 Wong D7/372
D507,455 S * 7/2005 Bertulis D7/376

D531,850 S * 11/2006 Wong D7/372
7,207,510 B2 * 4/2007 Wong 241/82.1
D680,390 S * 4/2013 Dichraff et al. D7/693
D694,074 S * 11/2013 Wong D7/678
2006/0243837 A1 * 11/2006 Wong 241/82.1
2007/0277682 A1 * 12/2007 Wong 99/495

* cited by examiner

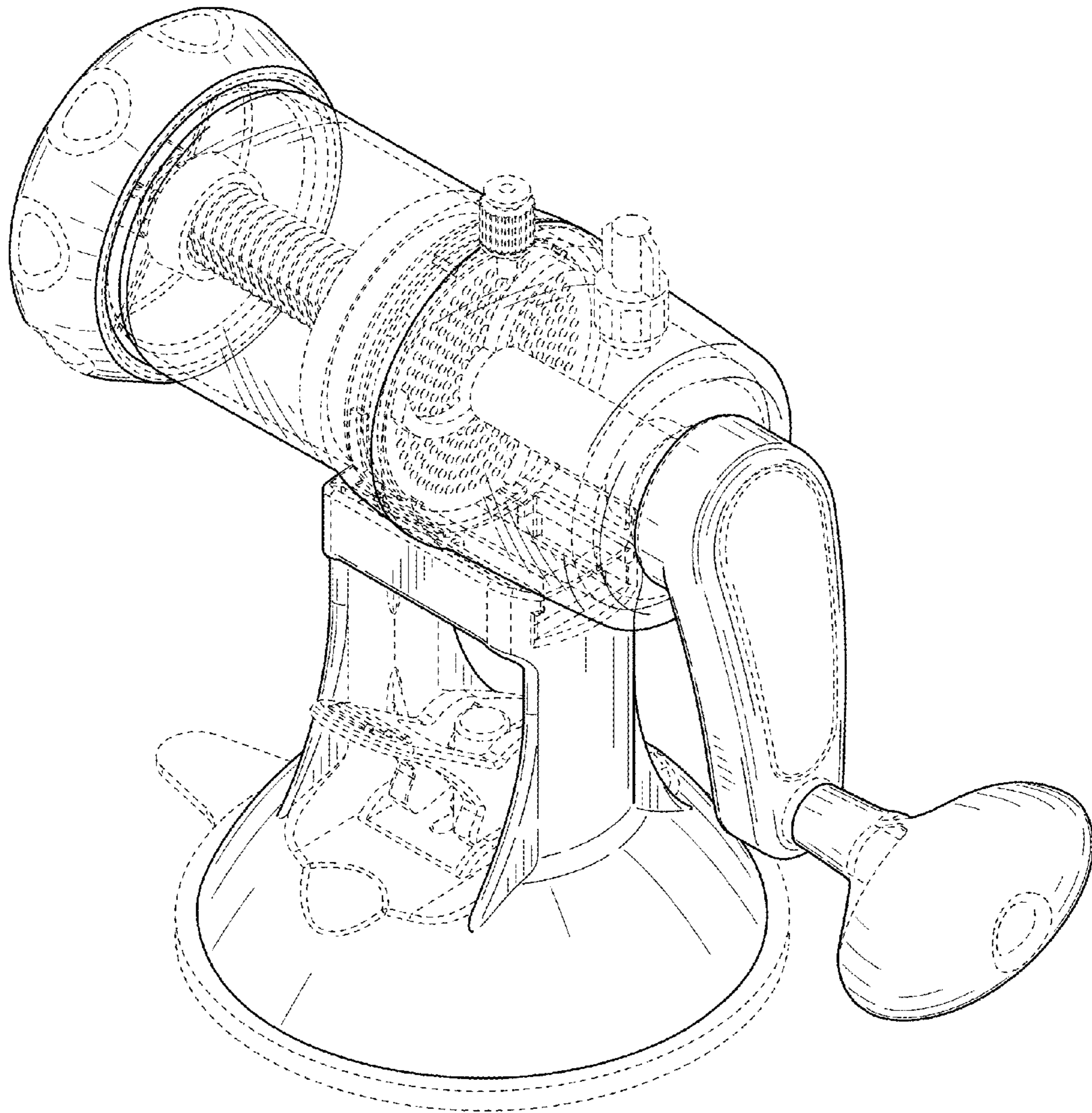


FIG. 1

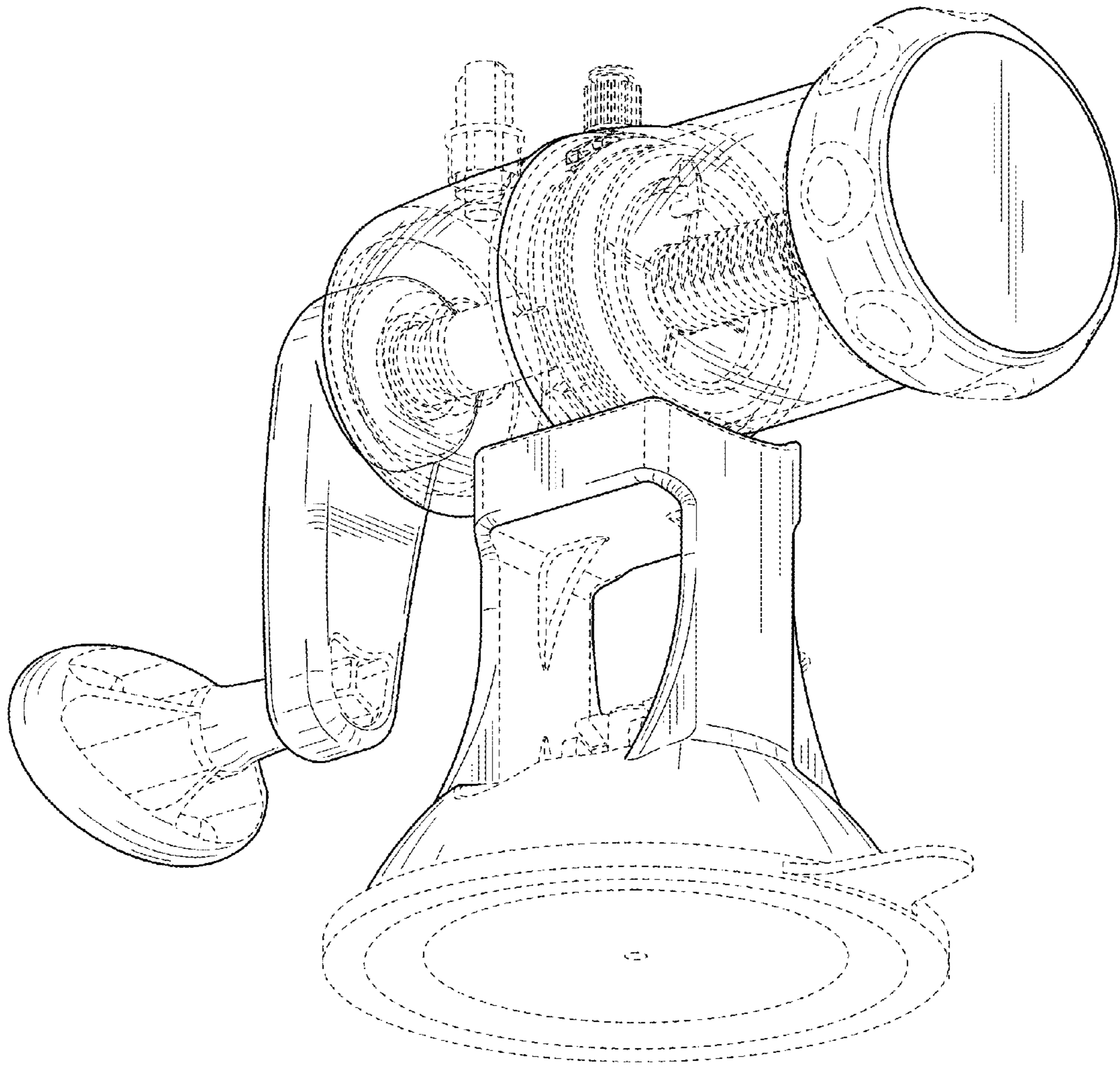


FIG. 2

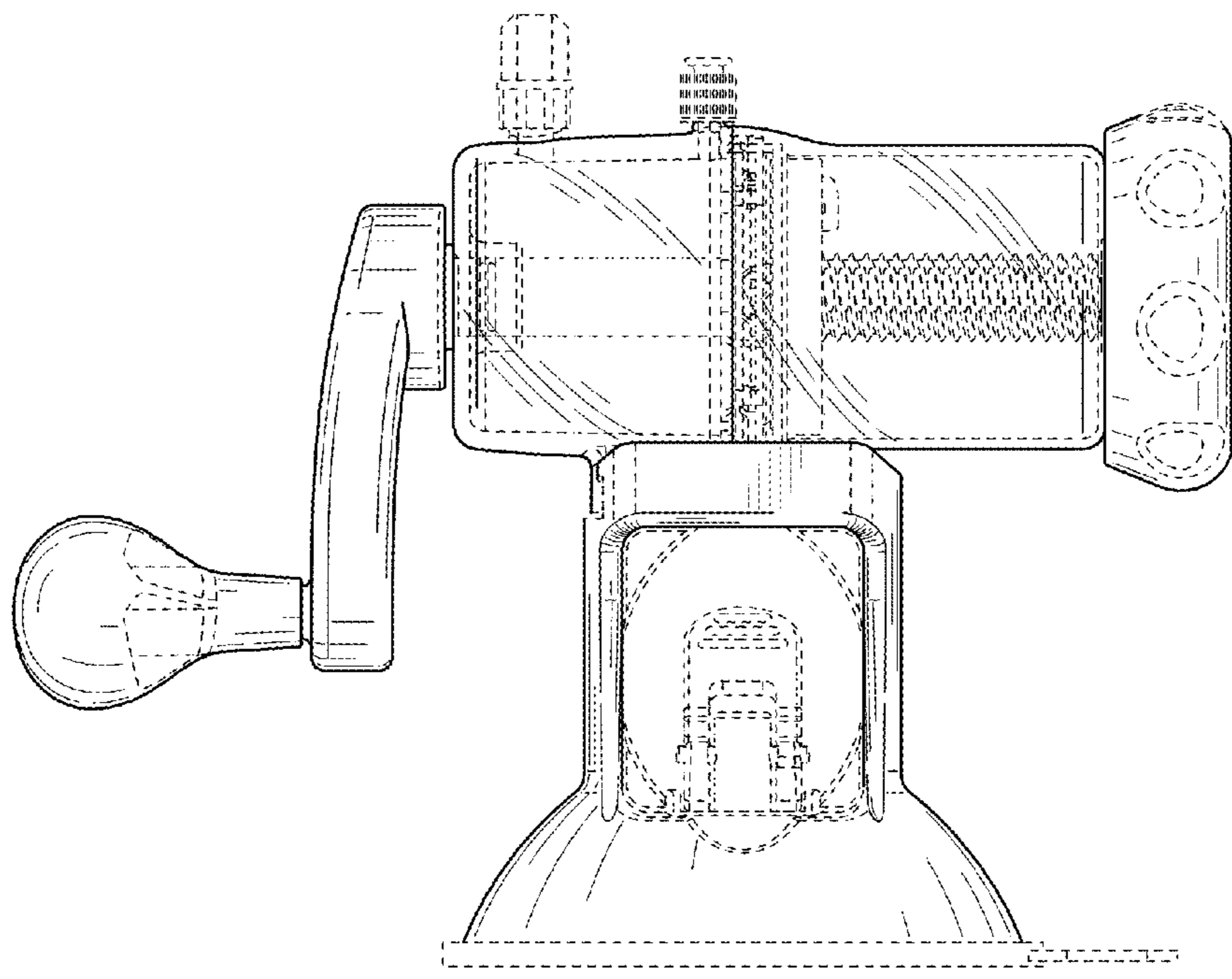
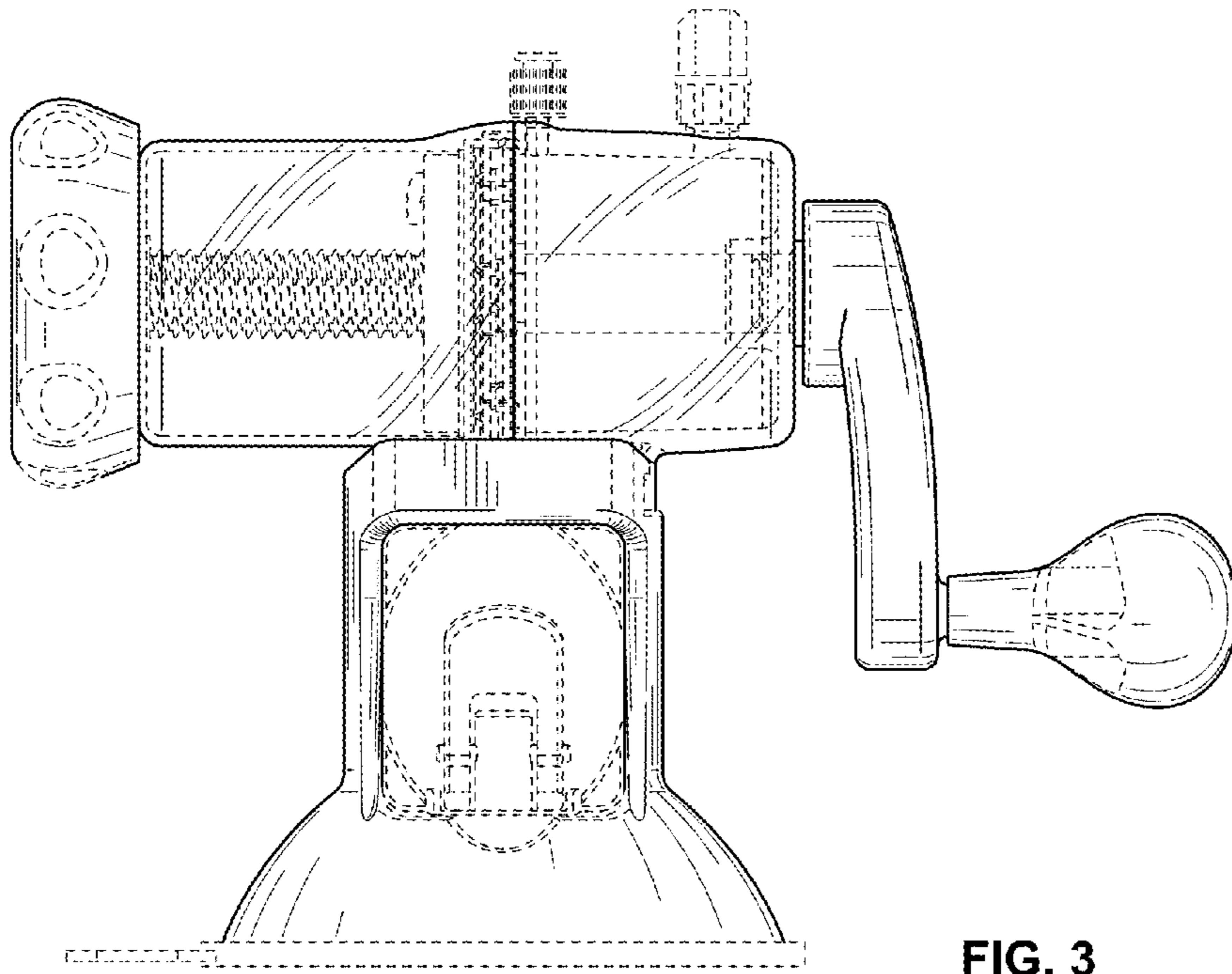


FIG. 3

FIG. 4

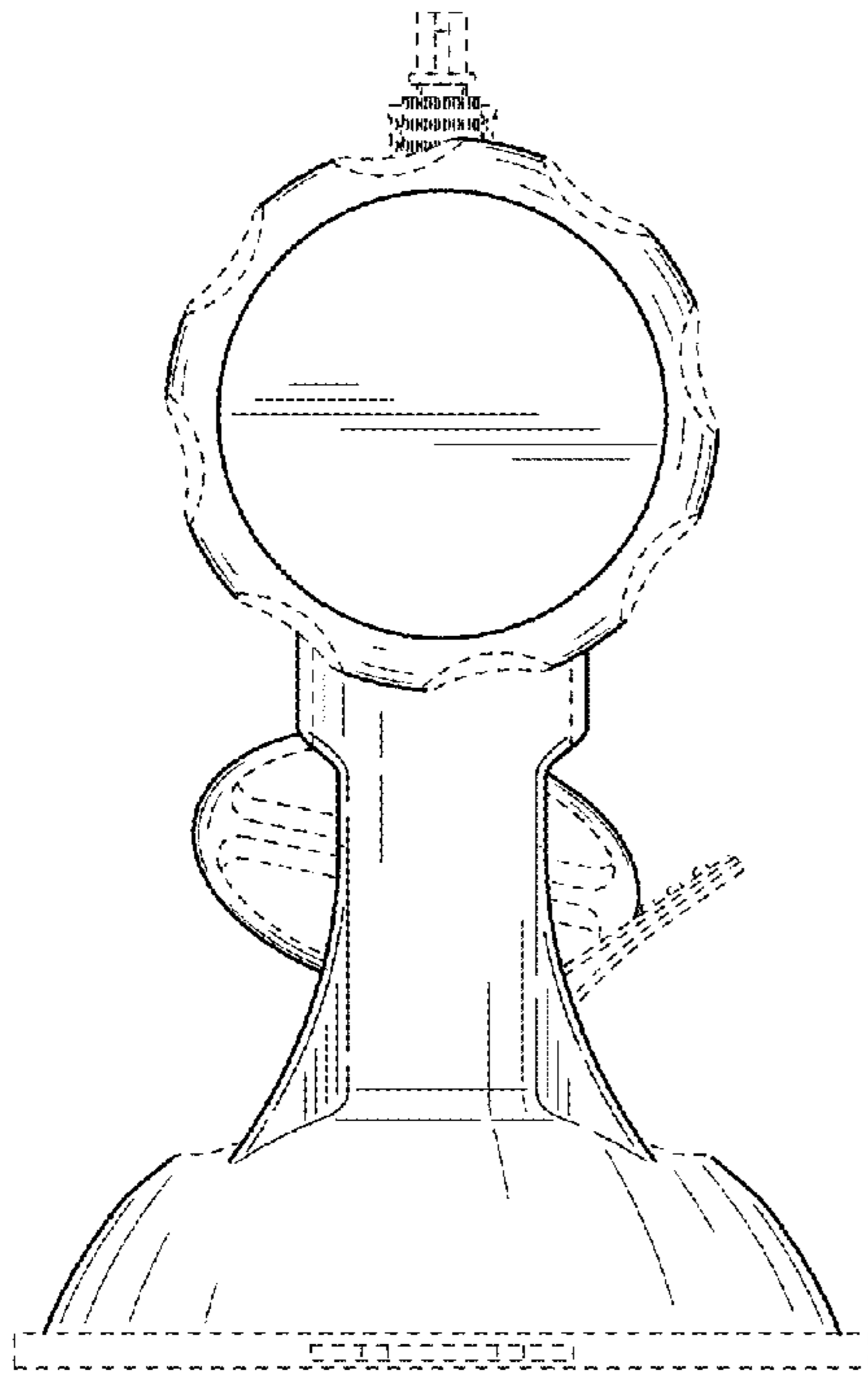


FIG. 5

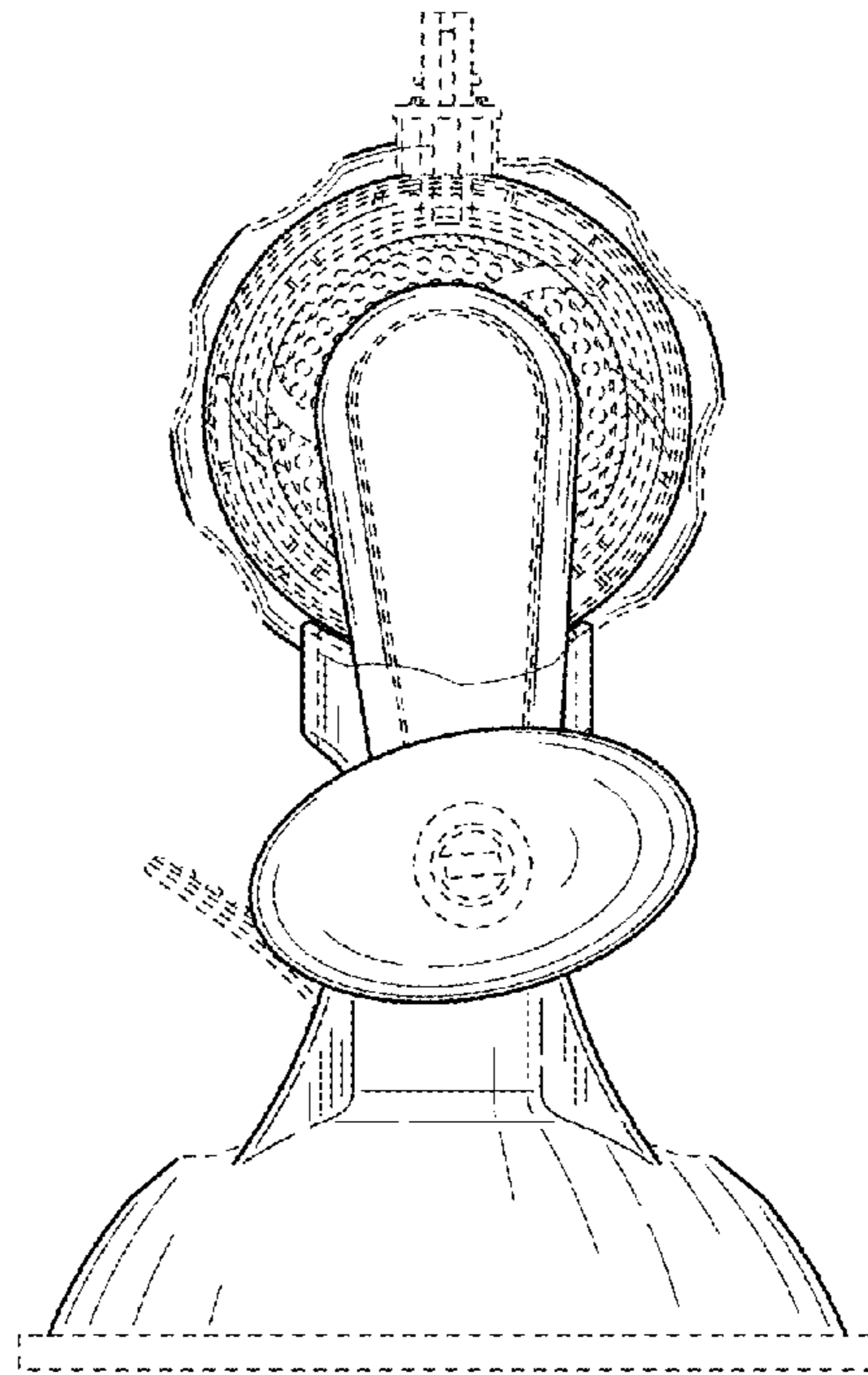


FIG. 6

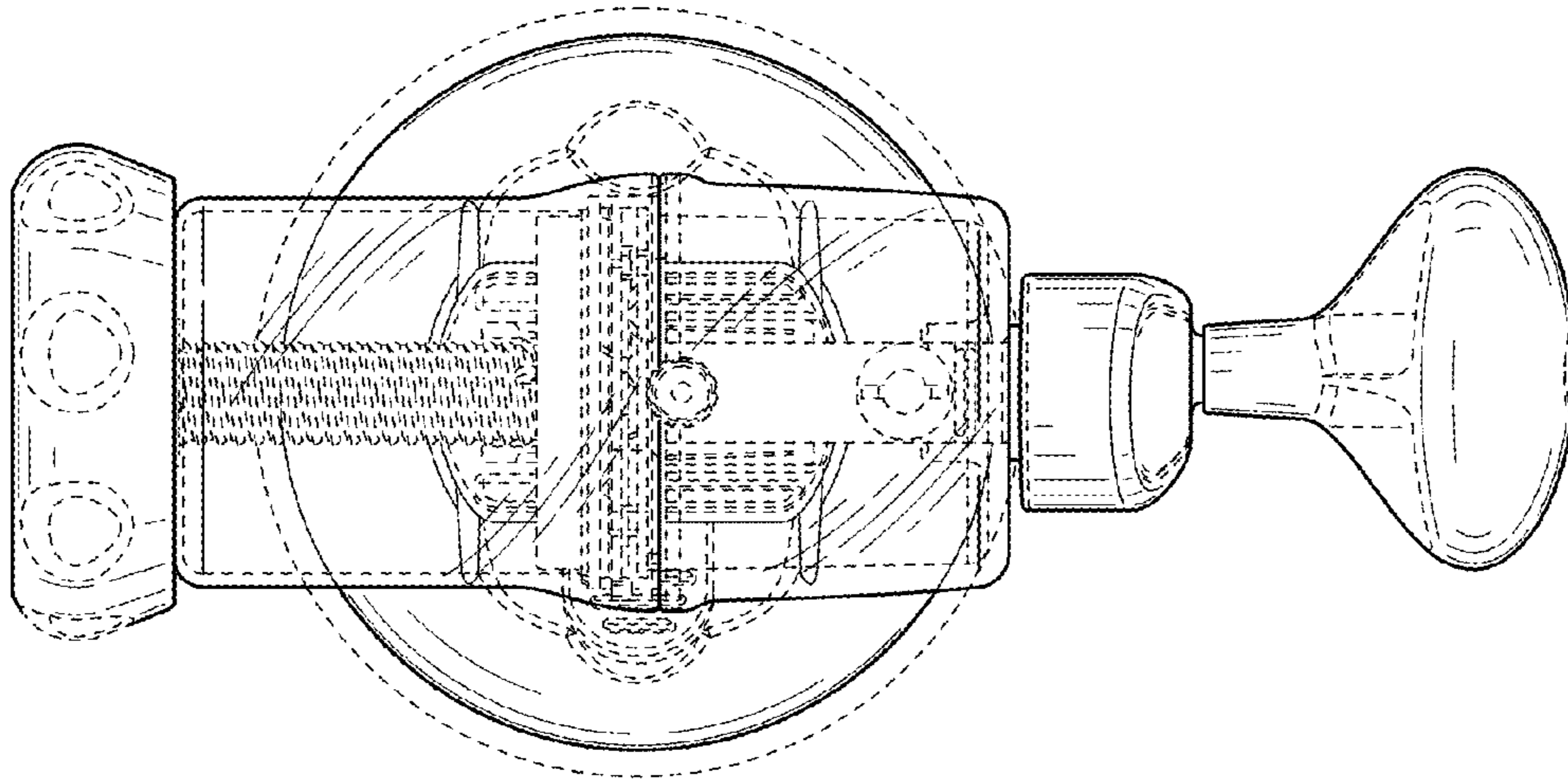


FIG. 7

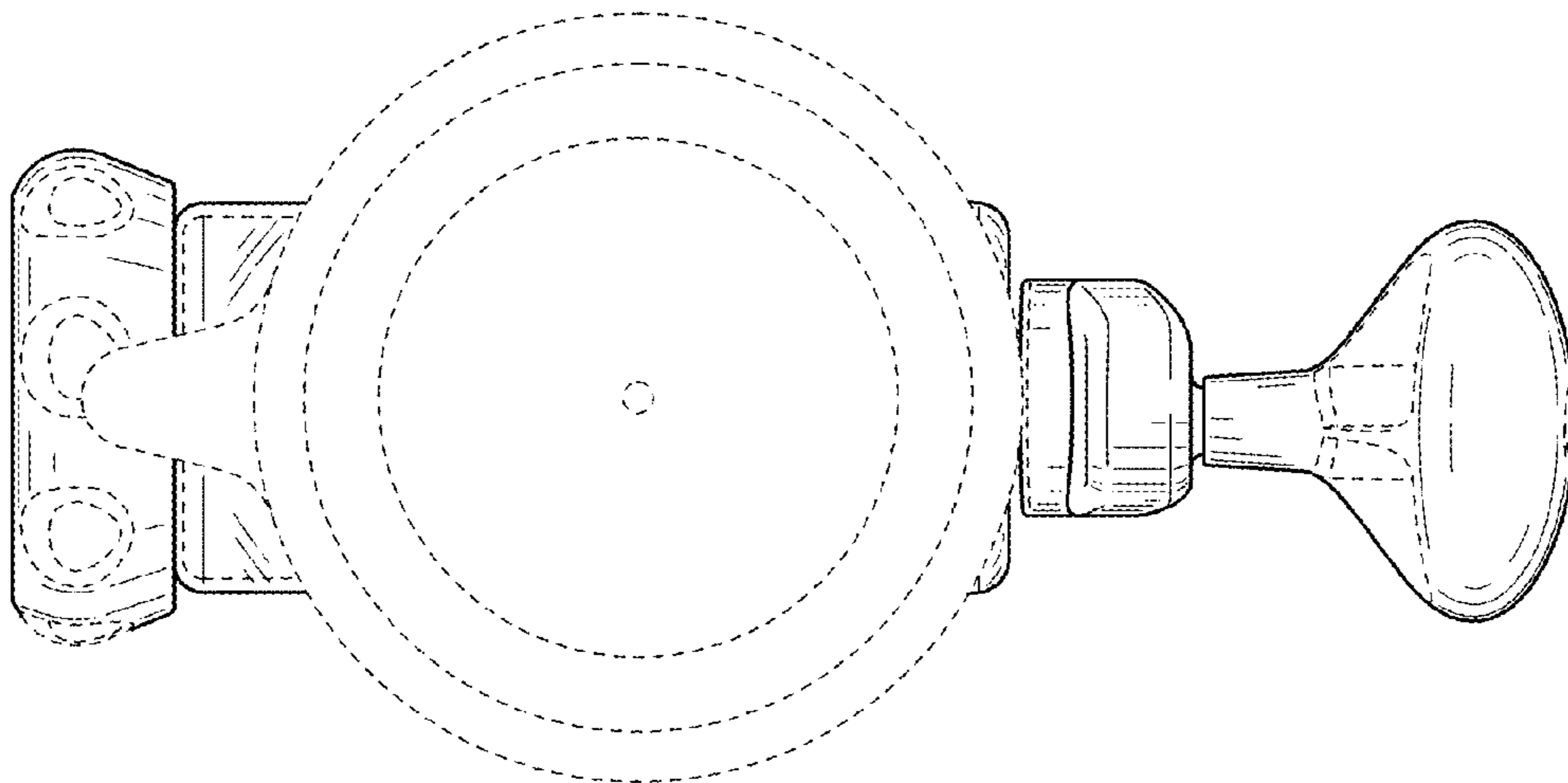


FIG. 8