



US00D717584S

(12) **United States Design Patent**  
**Moser et al.**

(10) **Patent No.:** **US D717,584 S**  
(45) **Date of Patent:** **\*\* Nov. 18, 2014**

(54) **COOKWARE VESSEL**

(71) Applicant: **WKI Holding Company, Inc.,**  
Rosemont, IL (US)

(72) Inventors: **Anne Clare Moser, Chicago, IL (US);**  
**Randy Brian Soibel, Chicago, IL (US);**  
**Pat Kerulis, Bartlett, IL (US);**  
**Rongming Yang, Yifeng (CN)**

(73) Assignee: **WKI Holding Company, Inc.,**  
Rosemont, IL (US)

(\*\*) Term: **14 Years**

(21) Appl. No.: **29/484,582**

(22) Filed: **Mar. 11, 2014**

(51) **LOC (10) Cl.** ..... **07-02**

(52) **U.S. Cl.**  
USPC ..... **D7/360; D7/354**

(58) **Field of Classification Search**  
CPC ..... A47G 19/12; A47J 27/00; A47J 27/002;  
A47J 27/08; A47J 27/21; A47J 27/58; A47J  
36/025; A47J 36/06; A47J 36/12; A47J 37/00;  
A47J 37/10; A47J 37/101; A47J 37/103;  
A47J 37/12; A47J 37/1204; A47J 45/061;  
A47J 45/071; A47J 45/08; H05B 6/12  
USPC ..... D7/323, 354-363, 391, 393-396, 396.1,  
D7/409, 538-545, 586; 99/324, 331,  
99/339-340, 403, 425-426, 444-445;  
126/373.1, 383.1-384.1, 390.1;  
219/438-439, 620-622; 220/534, 543,  
220/573.1-573.5, 752-753, 755-759, 912;  
222/465.1, 470, 475.1

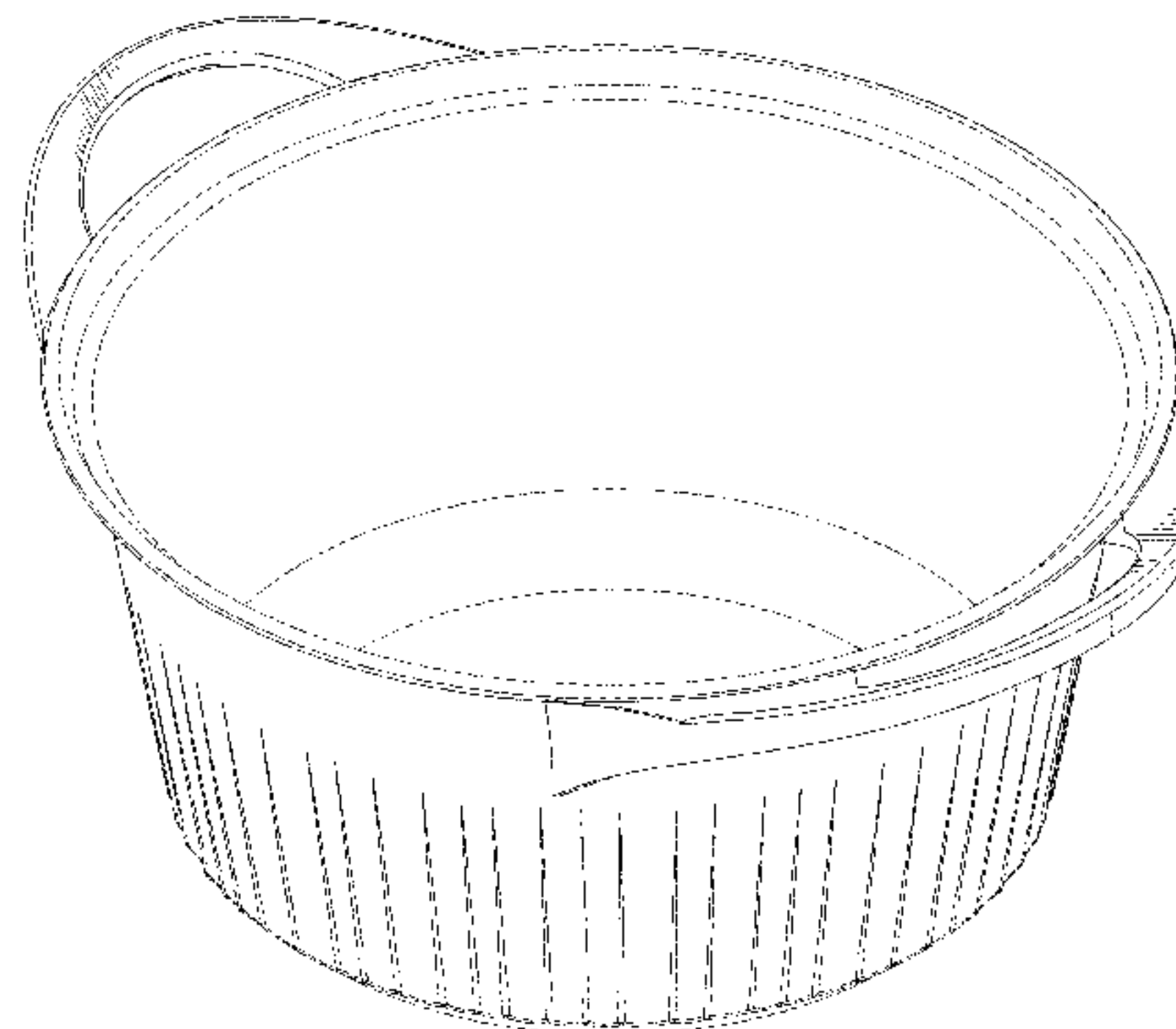
See application file for complete search history.

D52,692 S 11/1918 Beiswanger  
D52,727 S 12/1918 Beiswanger  
D54,956 S 4/1920 Reily  
D56,336 S 10/1920 Beiswanger  
D57,182 S 3/1921 Beiswanger  
D57,183 S 3/1921 Beiswanger  
1,529,072 A 3/1925 Lennox  
D111,229 S 9/1938 Spence  
D186,852 S 12/1959 Stickney et al.  
D192,435 S 3/1962 Goodman  
D194,247 S 12/1962 Eicholtz  
3,154,215 A 10/1964 Le Vesconte  
3,254,487 A 6/1966 Baehr  
3,545,645 A 12/1970 Smith  
D238,647 S 2/1976 Gulotta  
4,026,458 A 5/1977 Morris et al.  
D247,601 S 3/1978 Schreckengost  
D264,793 S \* 6/1982 Blake ..... D7/539  
D282,330 S 1/1986 McBride  
D285,534 S 9/1986 Itoh et al.  
D291,398 S 8/1987 Schmidt  
4,715,144 A 12/1987 Lee  
D293,823 S 1/1988 Fieschi et al.  
D298,303 S 11/1988 Lee  
D306,972 S 4/1990 Moloney et al.  
5,004,121 A 4/1991 Howe  
D324,324 S 3/1992 Picozza  
D325,848 S 5/1992 Embree  
5,169,023 A 12/1992 Heiberg et al.  
D332,750 S 1/1993 Moloney et al.  
D332,894 S 2/1993 Green  
D333,708 S 3/1993 Dordick  
D334,114 S 3/1993 Narsutis  
5,266,763 A 11/1993 Colombo  
D344,875 S 3/1994 Pomroy et al.  
D353,519 S 12/1994 Wolfenden  
D365,501 S 12/1995 Daugherty et al.  
D375,657 S 11/1996 Jarvis  
D375,871 S 11/1996 Jarvis  
D376,960 S 12/1996 Ferris  
D380,647 S 7/1997 Durand  
D386,046 S 11/1997 Bruckner  
D389,741 S 1/1998 Barrie, II  
D392,881 S 3/1998 Bulcher et al.  
D395,822 S 7/1998 Keal et al.  
D398,185 S 9/1998 Emrich  
D406,726 S 3/1999 Horvat  
D410,096 S 5/1999 Majerowski  
D411,075 S 6/1999 Emrich  
D413,766 S 9/1999 Hou  
D415,935 S 11/1999 Martinez  
D438,794 S 3/2001 Miles et al.  
D452,821 S 1/2002 Westphal

(56) **References Cited**

U.S. PATENT DOCUMENTS

D43,852 S 4/1913 Sanford  
D44,163 S 6/1913 Baxter et al.  
D49,639 S 9/1916 Beiswanger  
D51,878 S 3/1918 Evans



D455,049 S	4/2002	Kell	
D460,663 S	7/2002	Seager	
D467,128 S	12/2002	Thonis et al.	
D469,313 S	1/2003	Thonis et al.	
D469,314 S	1/2003	Thonis et al.	
D469,315 S	1/2003	Thonis et al.	
D469,662 S	2/2003	Thonis et al.	
D473,426 S *	4/2003	Jalet et al.	D7/545
D493,668 S	8/2004	Hsu	
D514,949 S	2/2006	Dalton et al.	
D515,872 S *	2/2006	Vendl et al.	D7/545
D544,298 S *	6/2007	Eide et al.	D7/396.1
D544,307 S *	6/2007	Ablo	D7/540
D551,025 S	9/2007	Serra	
D572,523 S *	7/2008	Baker	D7/360
D586,176 S *	2/2009	Loring	D7/360
D587,065 S *	2/2009	Loring	D7/391
D653,910 S *	2/2012	Stamper et al.	D7/543
D653,911 S *	2/2012	Stamper et al.	D7/543
D685,612 S *	7/2013	Ludeman et al.	D7/545
D688,917 S *	9/2013	Ludeman et al.	D7/586
D689,335 S *	9/2013	Ludeman et al.	D7/586

OTHER PUBLICATIONS

Anchor Hocking Glass Company container located in the book, "Kitchen Glassware of the Depression Years," fifth edition by Gene Florence. Publisher: Collector Books, copyright 1995. See: Part 2 Kitchen Items Batter Jugs and Batter Bowls on p. 88; description on p. 88, bottom left, Row 1; photo on p. 91, Row 1; description on p. 92, bottom right, Row 4, # 3; and photo on p. 95, Row 4.  
 Corningware Housewares Catalog, 1981, pp. 4-5, 10-11.  
 Corningware Housewares Catalog, 1982, pp. 7, 14, 15.  
 Corningware French White Catalog, 1991, 2 pages.  
 Corningware French White Cookware Catalog, 1994, p. 33.  
 Corningware Housewares Catalog, 1998, 2 pages.  
 Corningware Housewares Catalog, 1999, 5 pages.  
 Corningware French White Catalog, 2000, 4 pages.  
 Corningware Just White Tableware Catalog, 2001, 3 pages.  
 Corningware French White Tableware Catalog, date unknown.  
 Corningware Contemporary Cookware Catalog, date unknown, p. 9.

\* cited by examiner

*Primary Examiner* — Ricky Pham  
 (74) *Attorney, Agent, or Firm* — McDermott Will & Emery LLP

(57) **CLAIM**  
 The ornamental design for a cookware vessel, as shown and described.

**DESCRIPTION**

FIG. 1 is a top perspective view of a cookware vessel according to the new design;  
 FIG. 2 is a bottom perspective view of the outer surface of a cookware vessel shown in FIG. 1;

FIG. 3 is a top view of the cookware vessel shown in FIG. 1;  
 FIG. 4 is a bottom view of the cookware vessel shown in FIG. 1;  
 FIG. 5 is a side elevation view of the cookware vessel shown in FIG. 1;  
 FIG. 6 is an opposite side elevation view of the cookware vessel shown in FIG. 1;  
 FIG. 7 is a left end view of the cookware vessel shown in FIG. 1;  
 FIG. 8 is a right end view of the cookware vessel shown in FIG. 1;  
 FIG. 9 is a cross-sectional view taken along the line 9-9 of the cookware vessel shown in FIG. 5;  
 FIG. 10 is a cross-sectional view taken along the line 10-10 of the cookware vessel shown in FIG. 3;  
 FIG. 11 is a cross-sectional view taken along the line 11-11 of the cookware vessel shown in FIG. 5;  
 FIG. 12 is a cross-sectional view taken along the line 12-12 of the outer surface of a cookware vessel shown in FIG. 6;  
 FIG. 13 is a top perspective view of another embodiment of a cookware vessel according to the new design;  
 FIG. 14 is a bottom perspective view of the outer surface of a cookware vessel shown in FIG. 13;  
 FIG. 15 is a top view of the cookware vessel shown in FIG. 13;  
 FIG. 16 is a bottom view of the cookware vessel shown in FIG. 13;  
 FIG. 17 is a side elevation view of the cookware vessel shown in FIG. 13;  
 FIG. 18 is an opposite side elevation view of the cookware vessel shown in FIG. 13;  
 FIG. 19 is a left end view of the cookware vessel shown in FIG. 13;  
 FIG. 20 is a right end view of the cookware vessel shown in FIG. 13;  
 FIG. 21 is a cross-sectional view taken along the line 21-21 of the cookware vessel shown in FIG. 17;  
 FIG. 22 is a cross-sectional view taken along the line 22-22 of the cookware vessel shown in FIG. 15;  
 FIG. 23 is a cross-sectional view taken along the line 23-23 of the cookware vessel shown in FIG. 17; and,  
 FIG. 24 is a cross-sectional view taken along the line 24-24 of the outer surface of a cookware vessel shown in FIG. 17.  
 In the drawings, the broken lines form no part of the claimed design.

**1 Claim, 18 Drawing Sheets**



FIG. 1

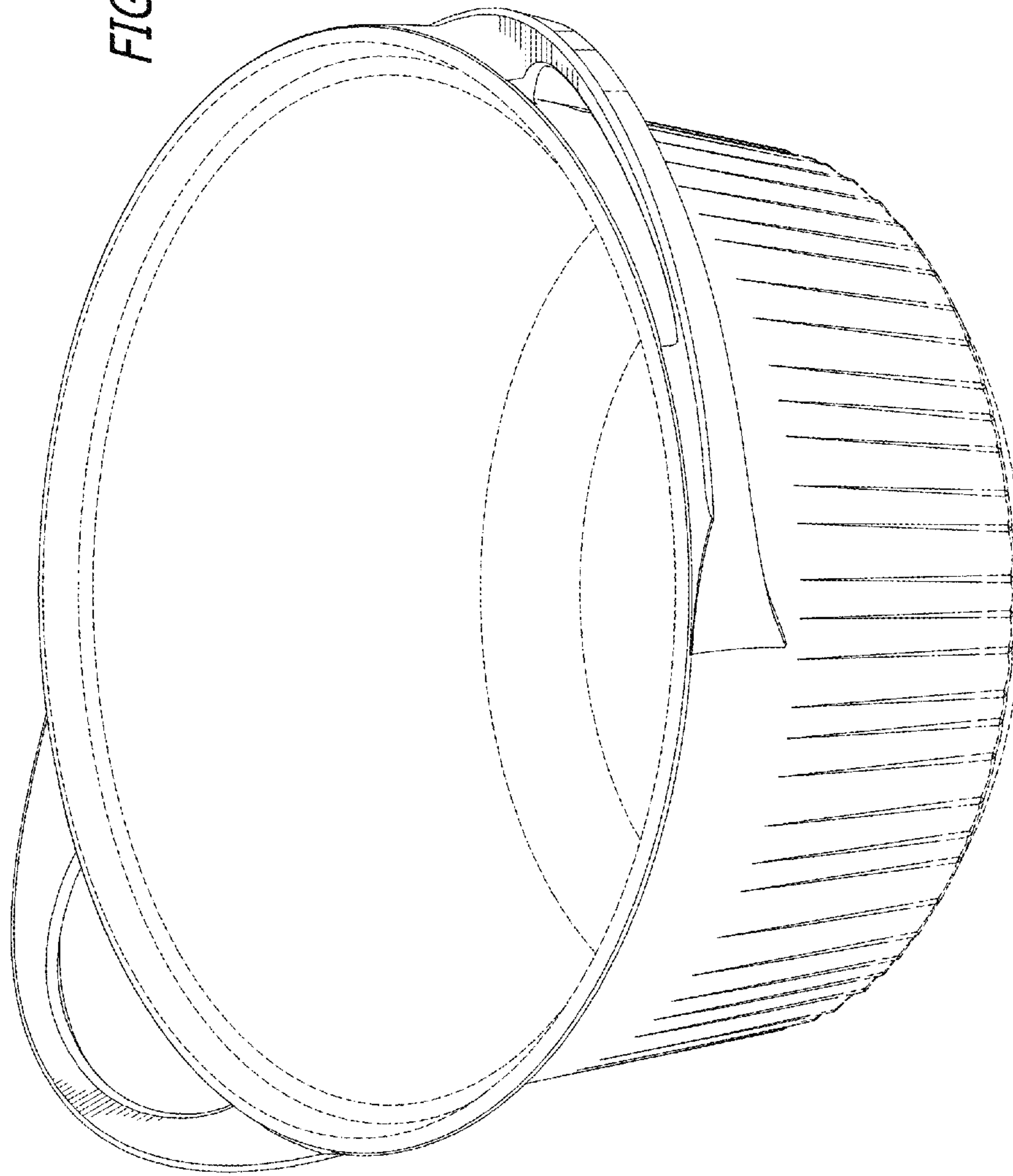
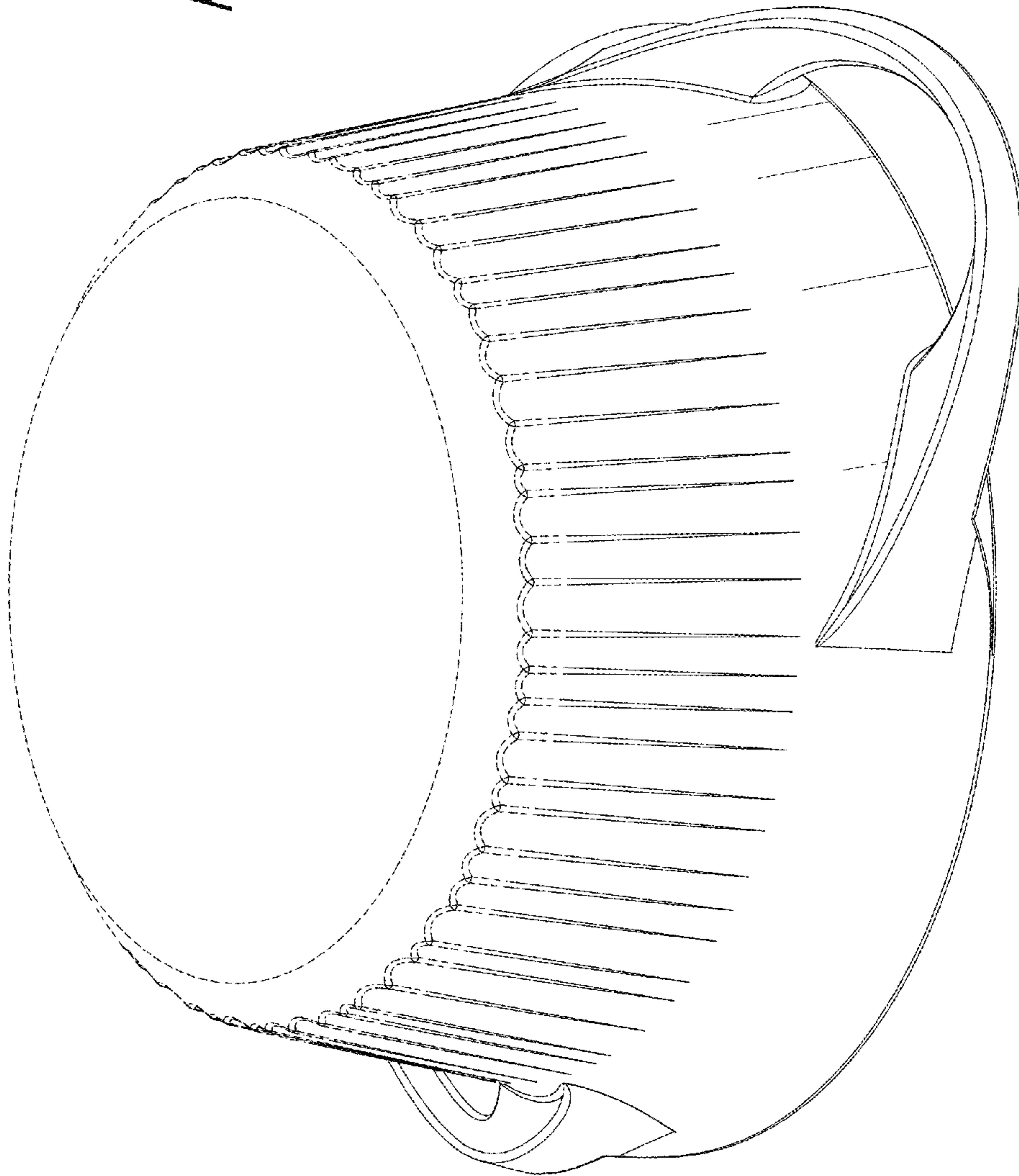


FIG. 2



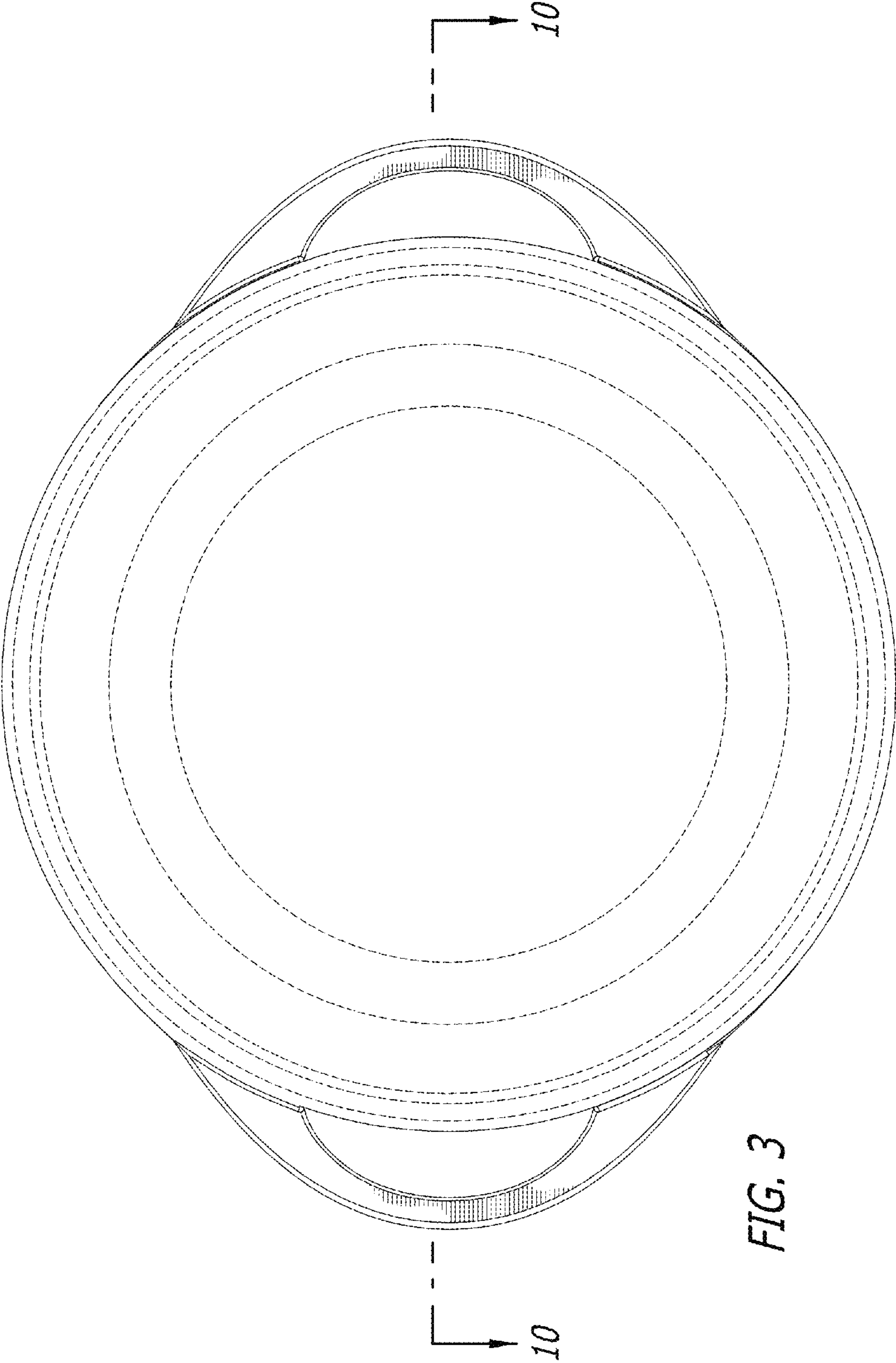


FIG. 3

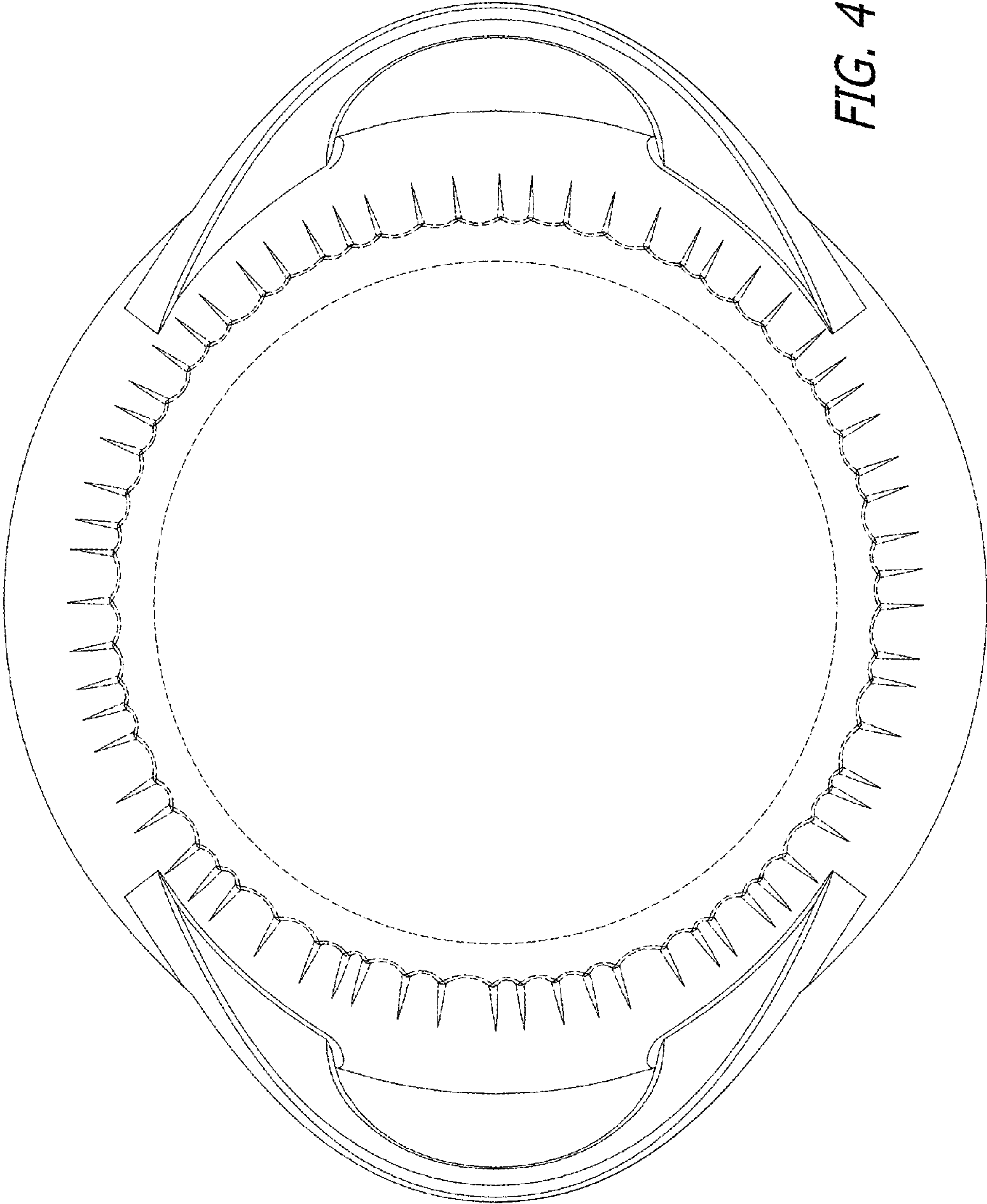


FIG. 4

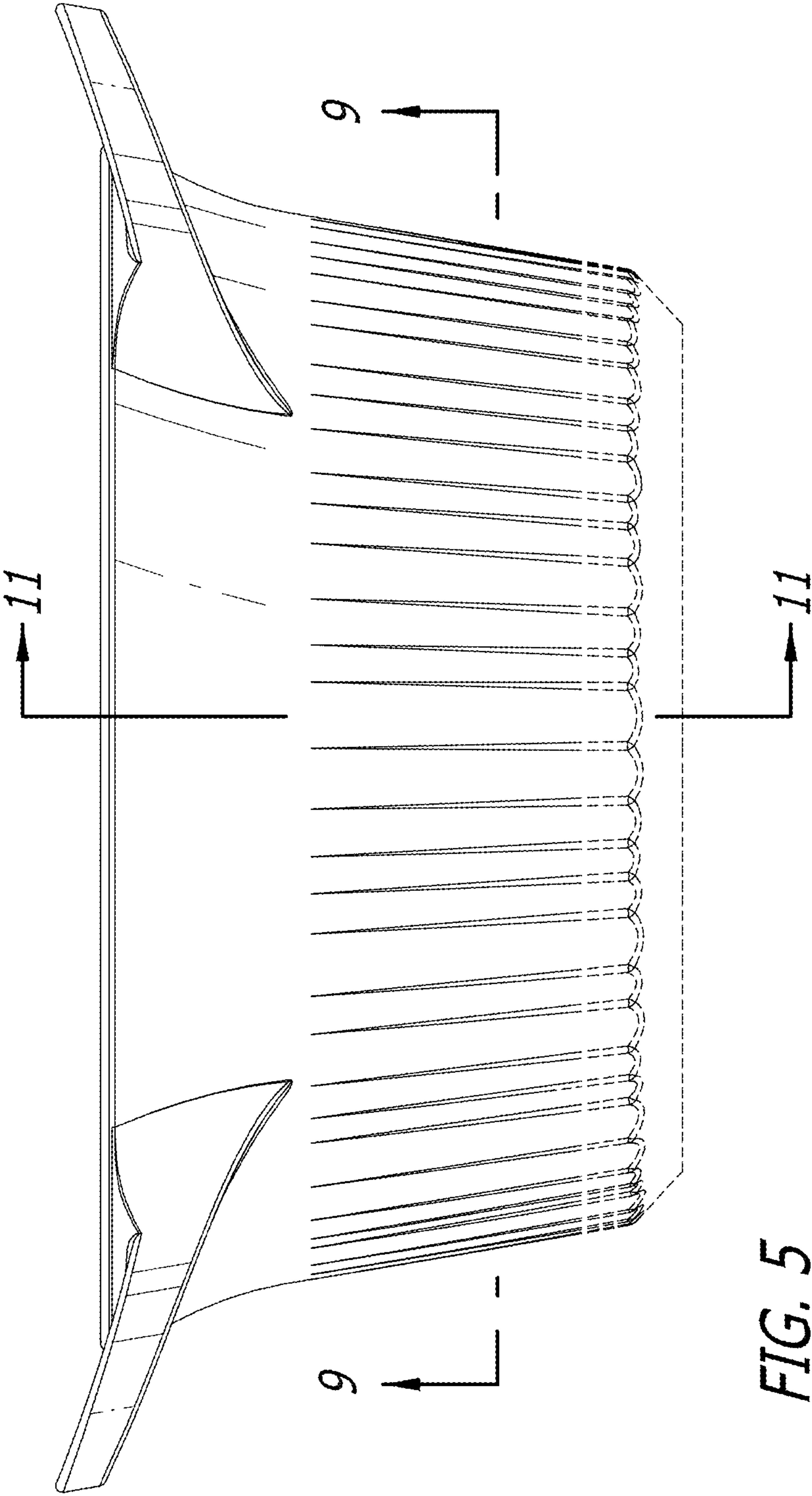
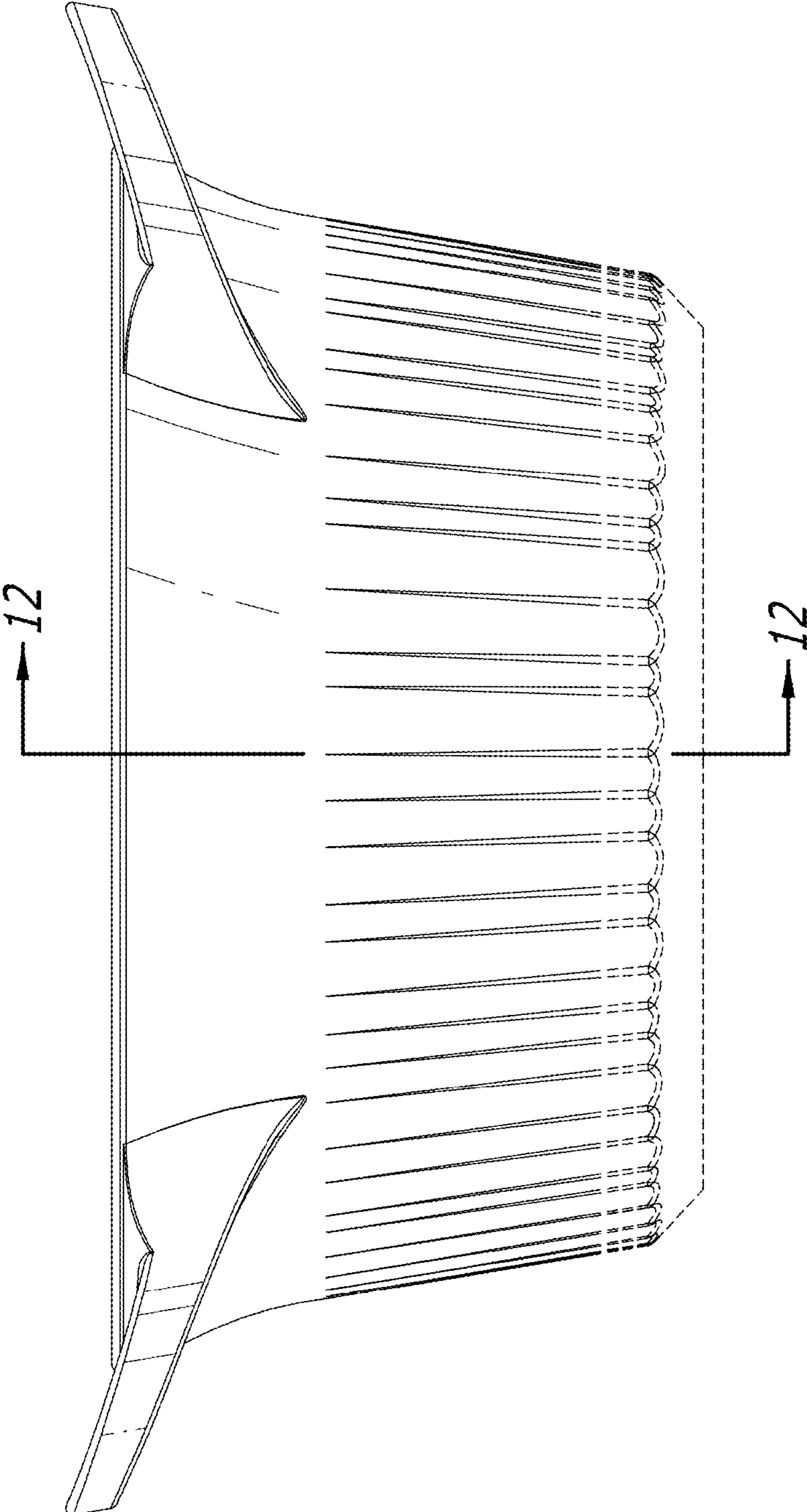


FIG. 5



FIG. 6





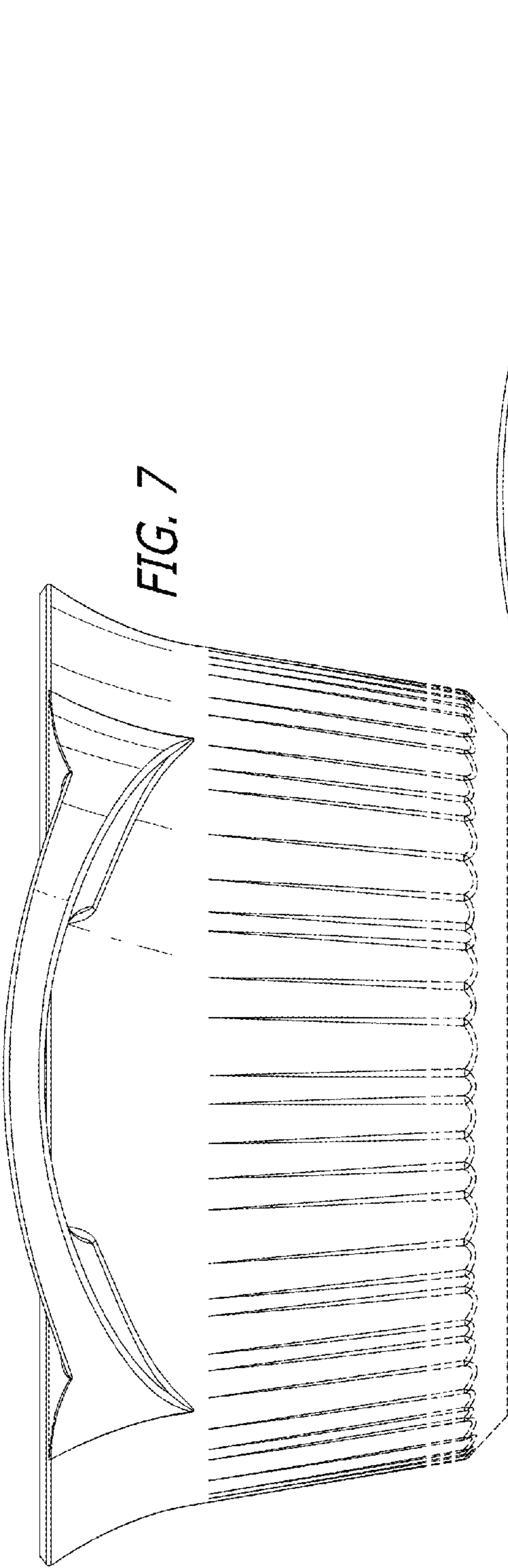


FIG. 7

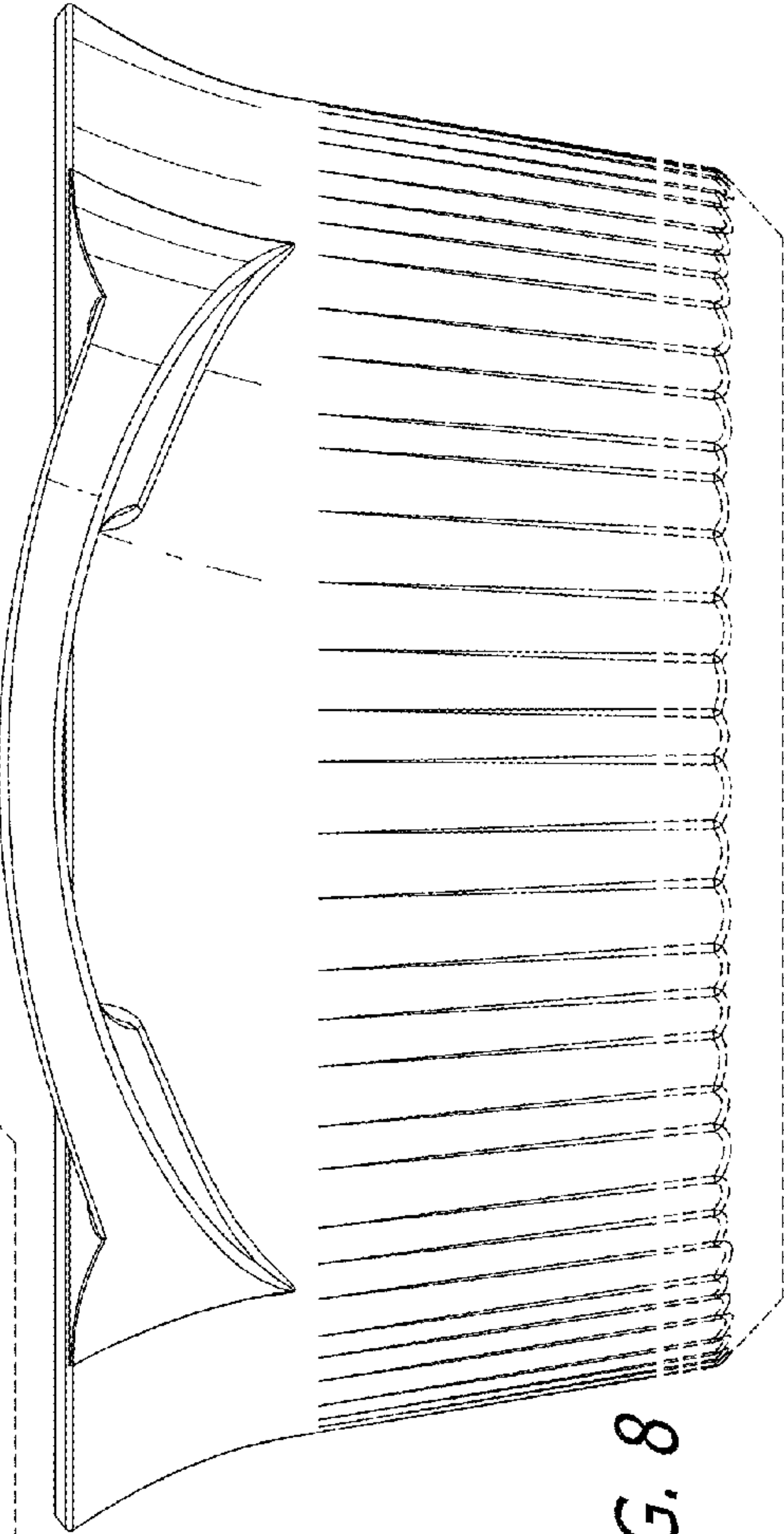


FIG. 8

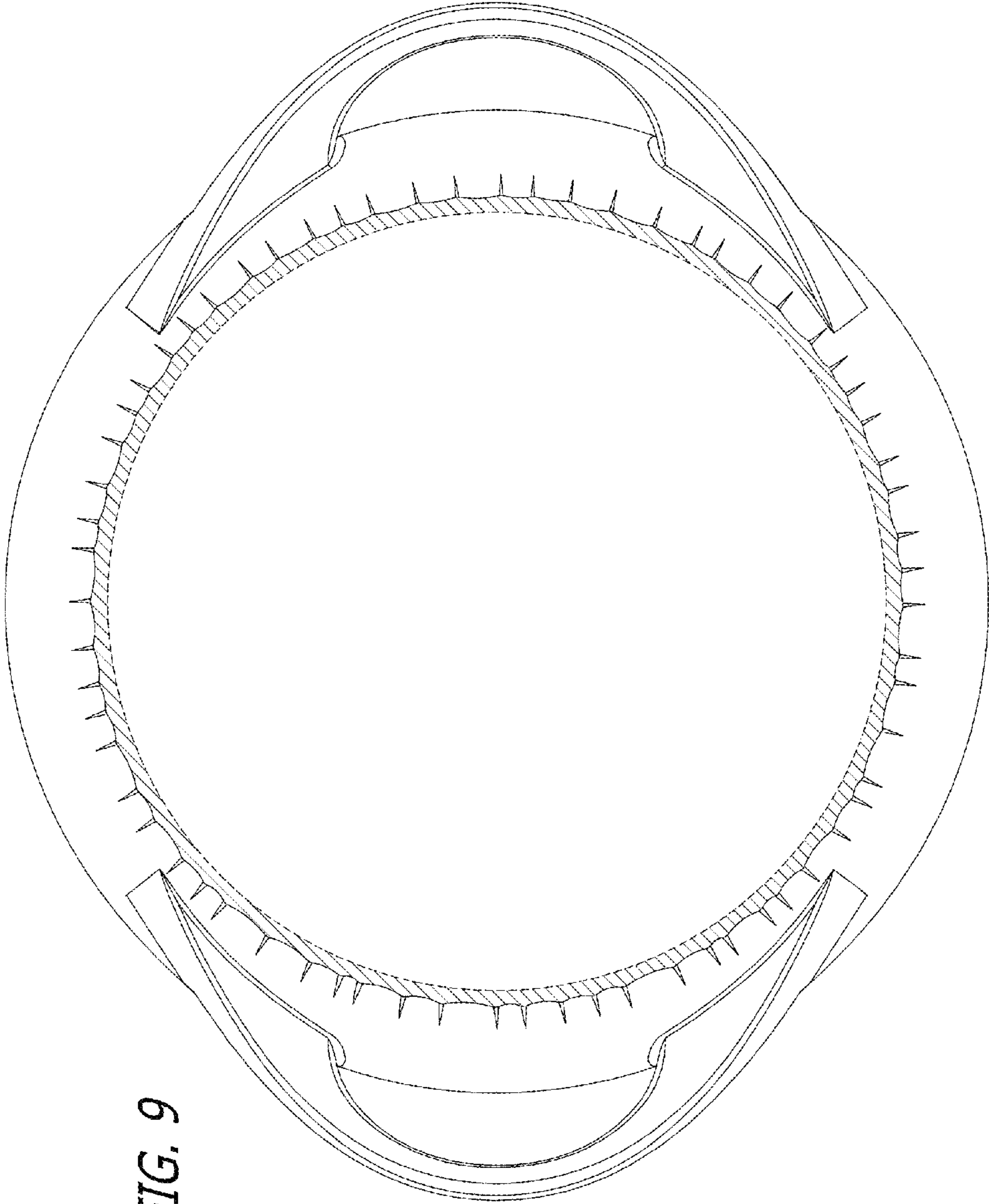


FIG. 9

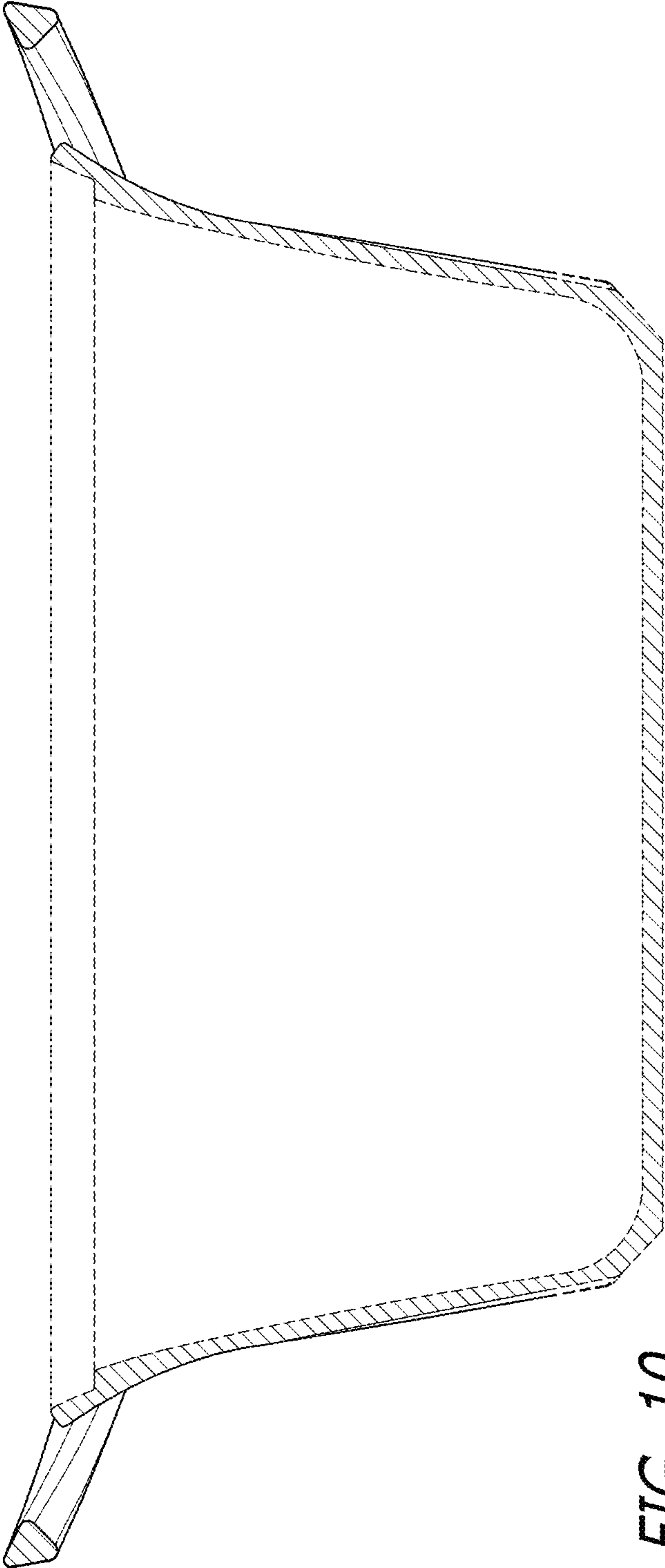
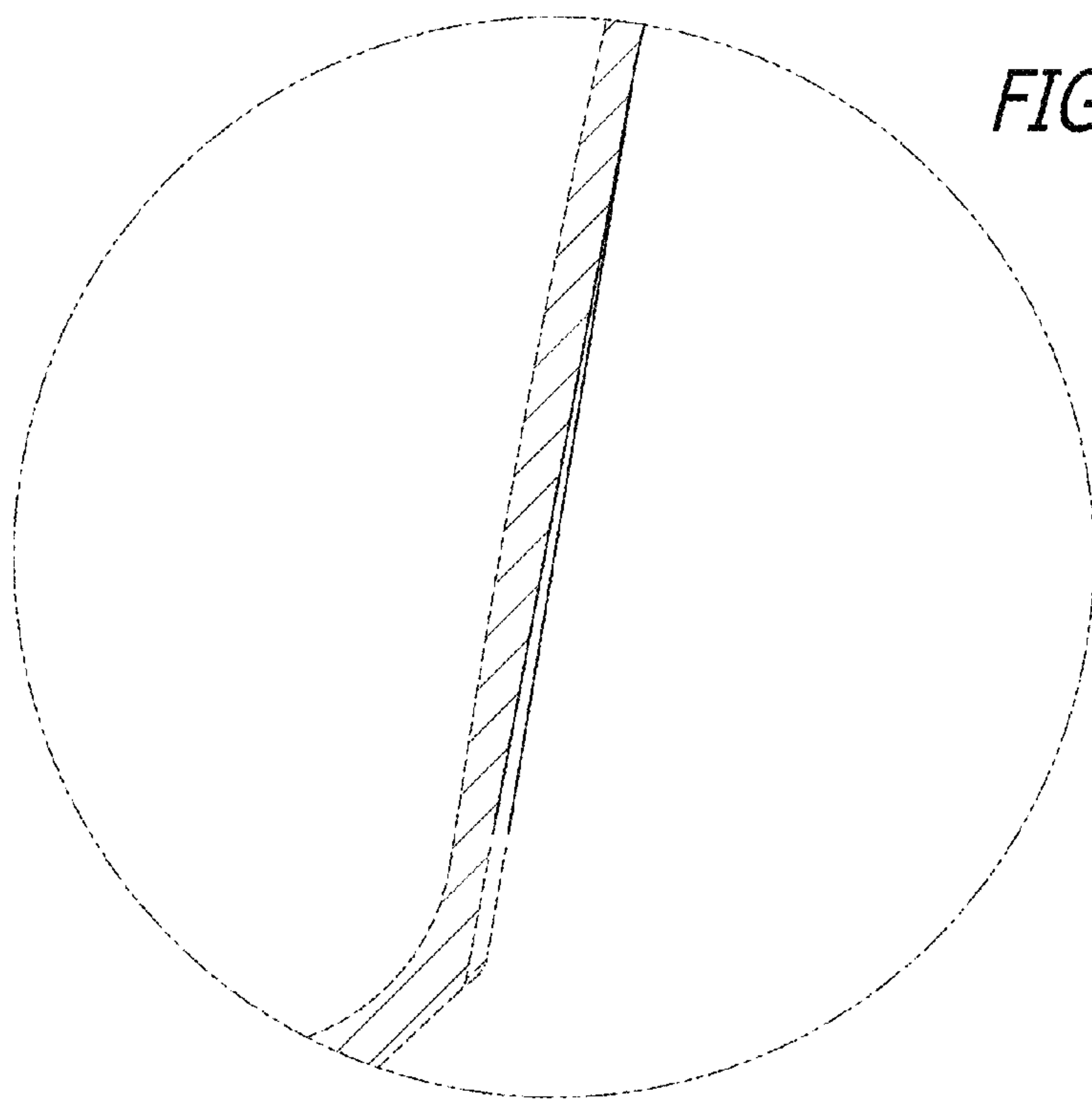
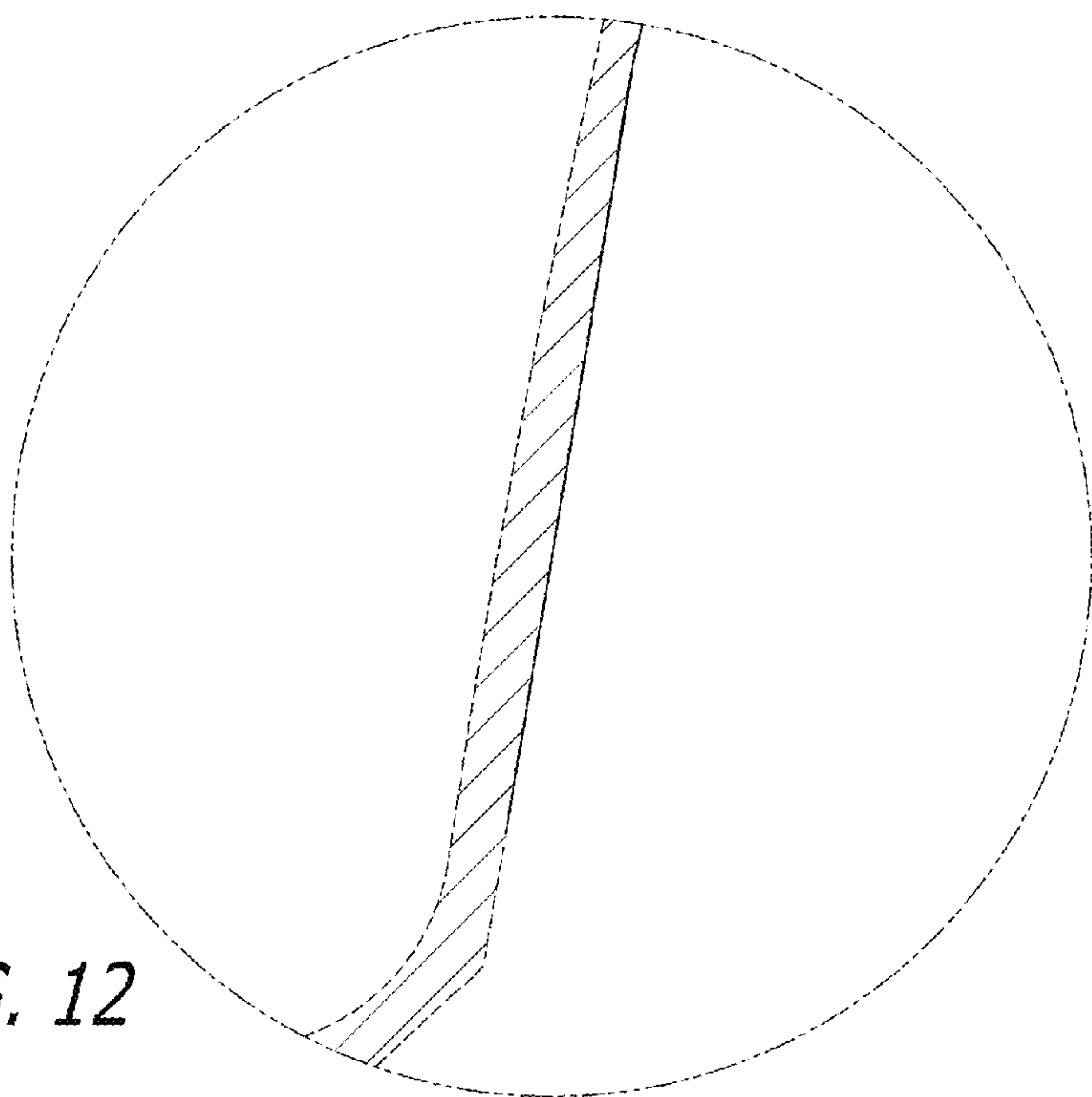


FIG. 10



*FIG. 11*



*FIG. 12*



FIG. 13

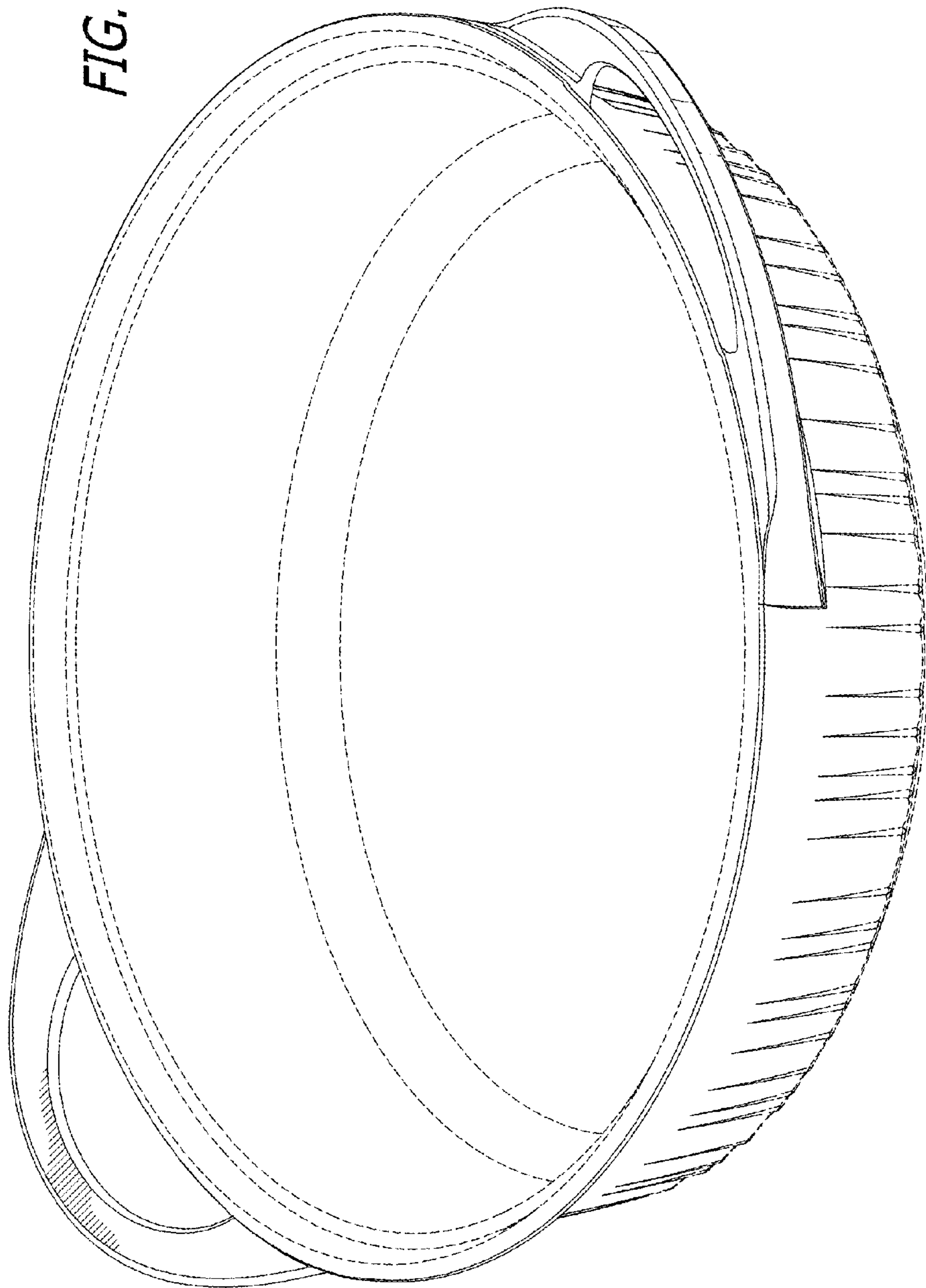
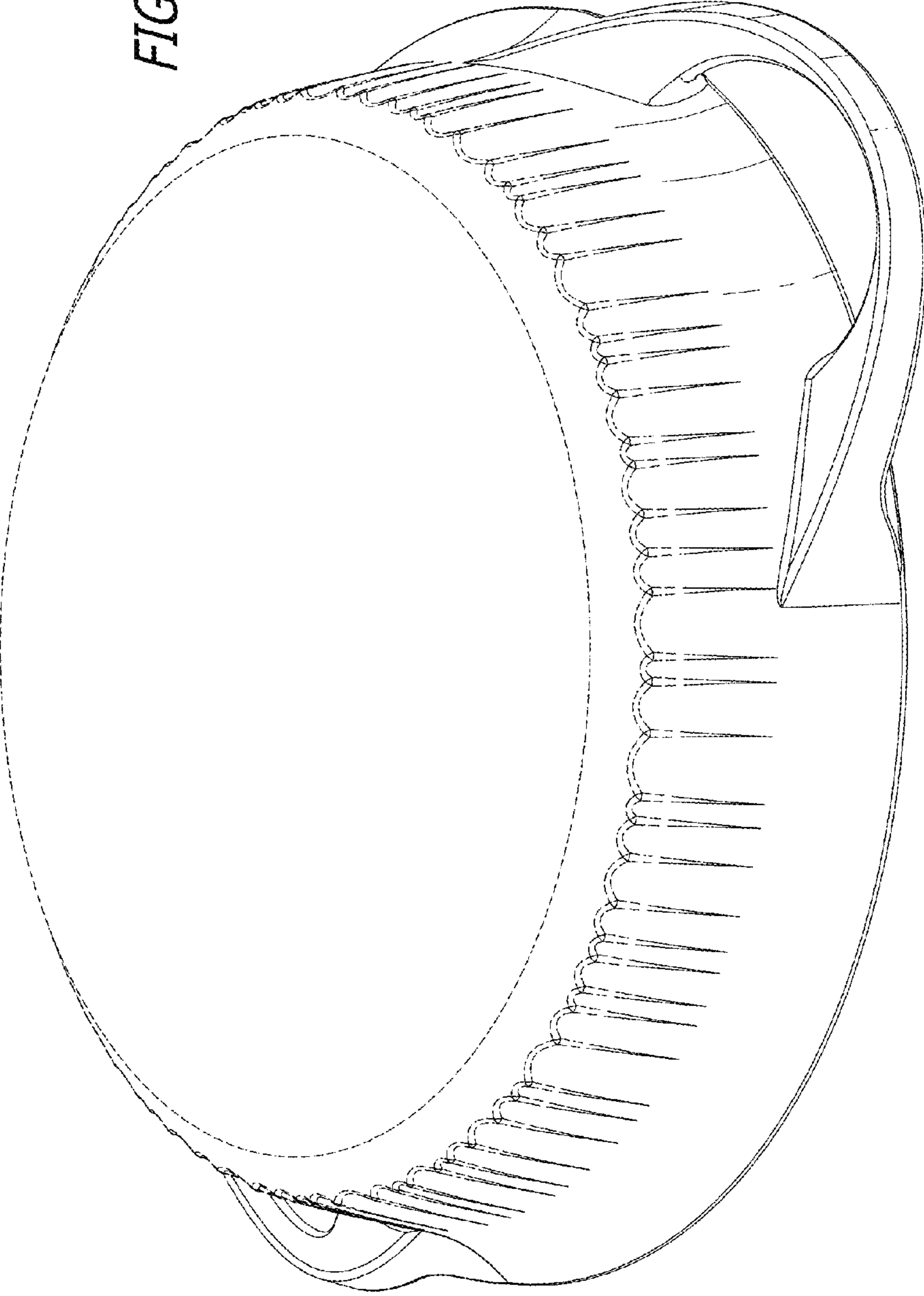


FIG. 14



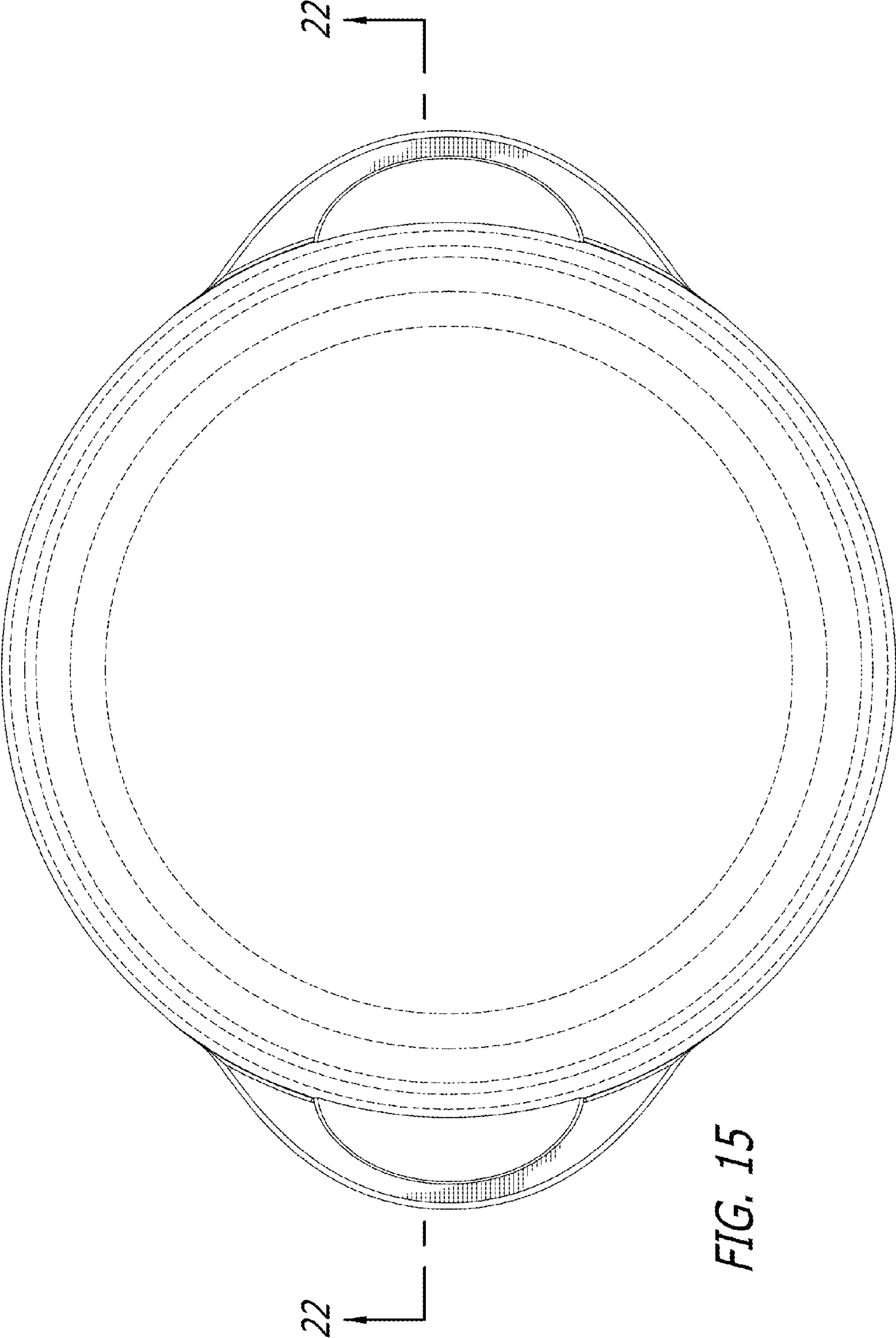


FIG. 15

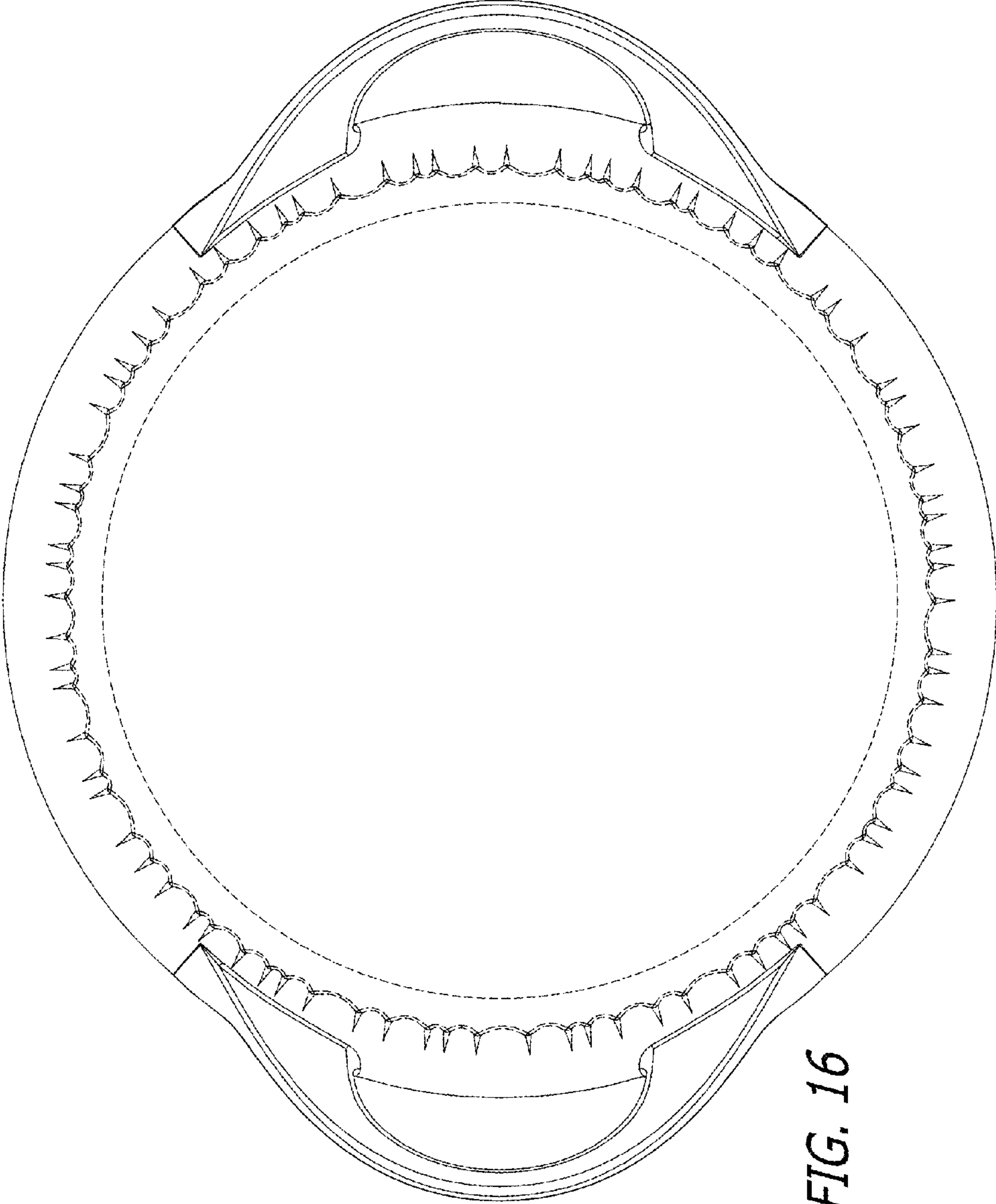


FIG. 16



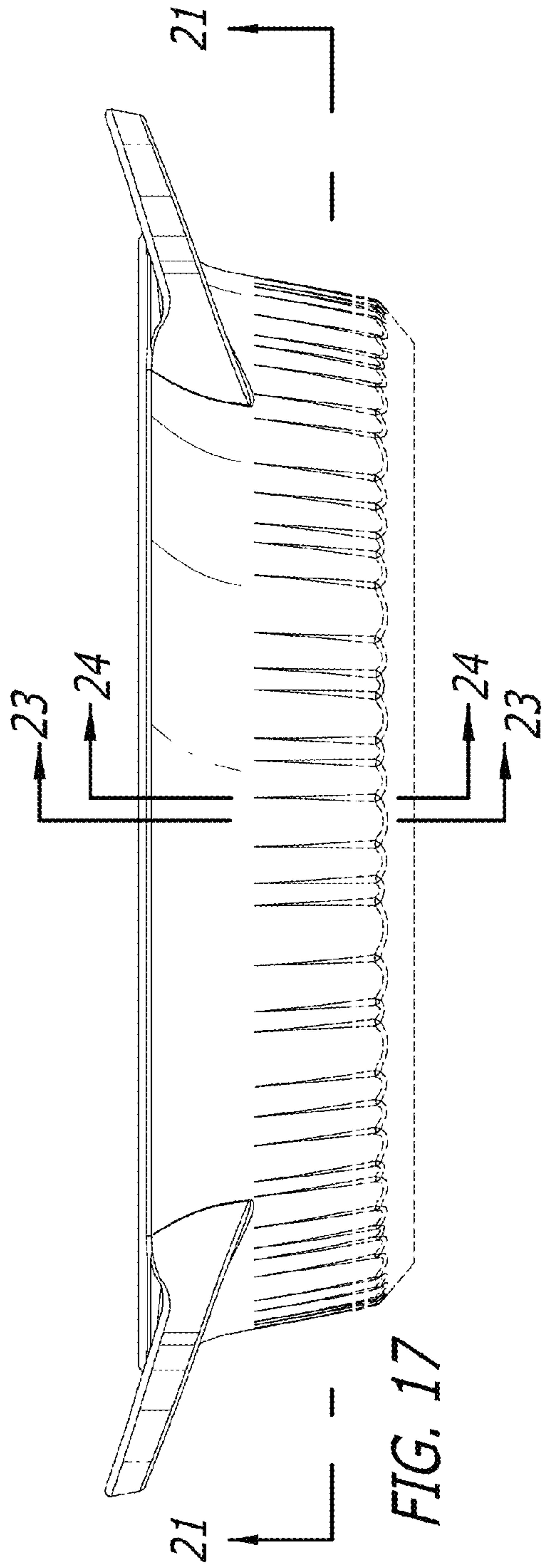


FIG. 17

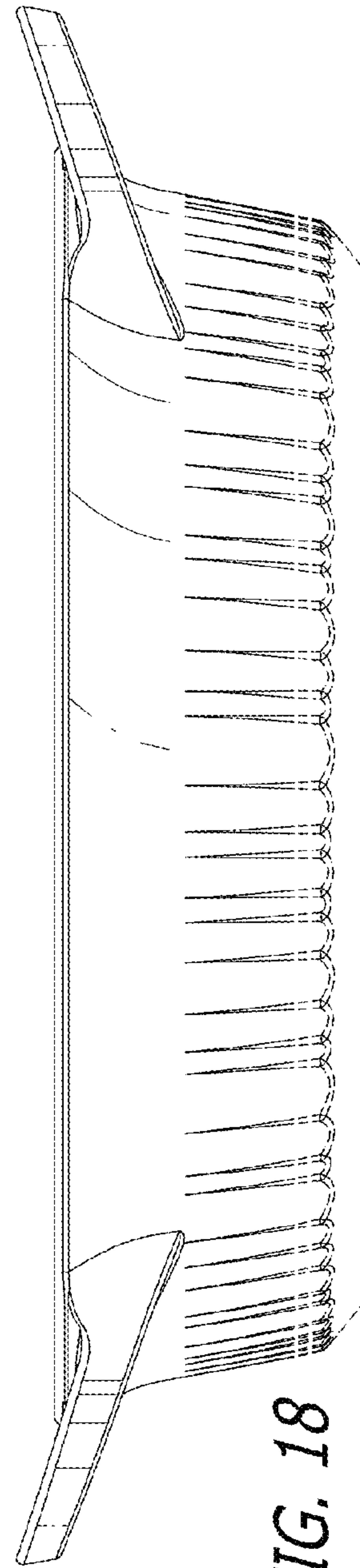


FIG. 18

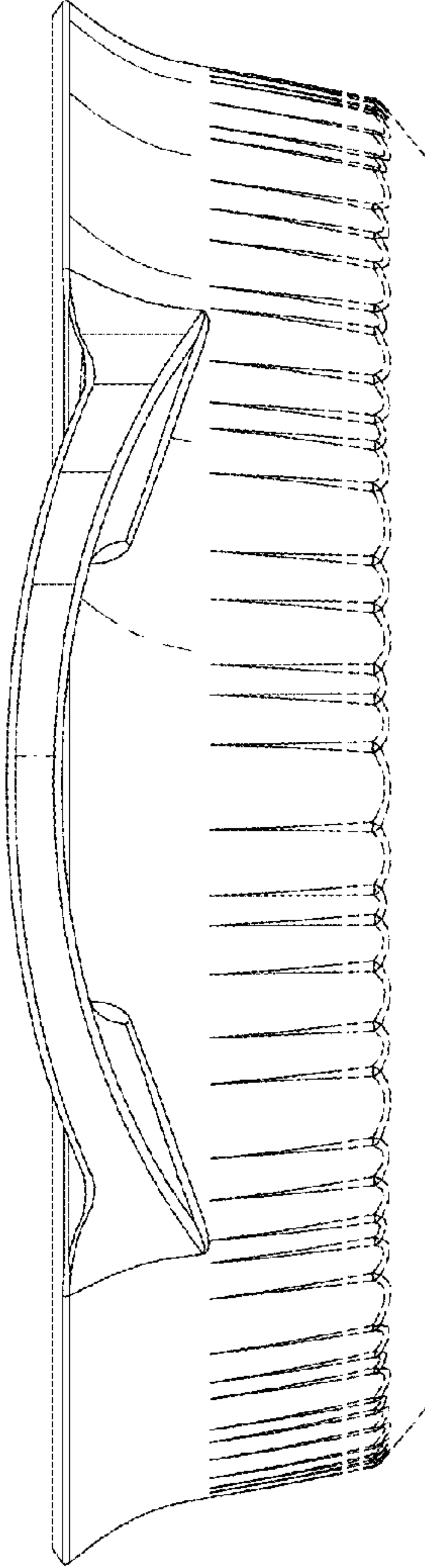


FIG. 19

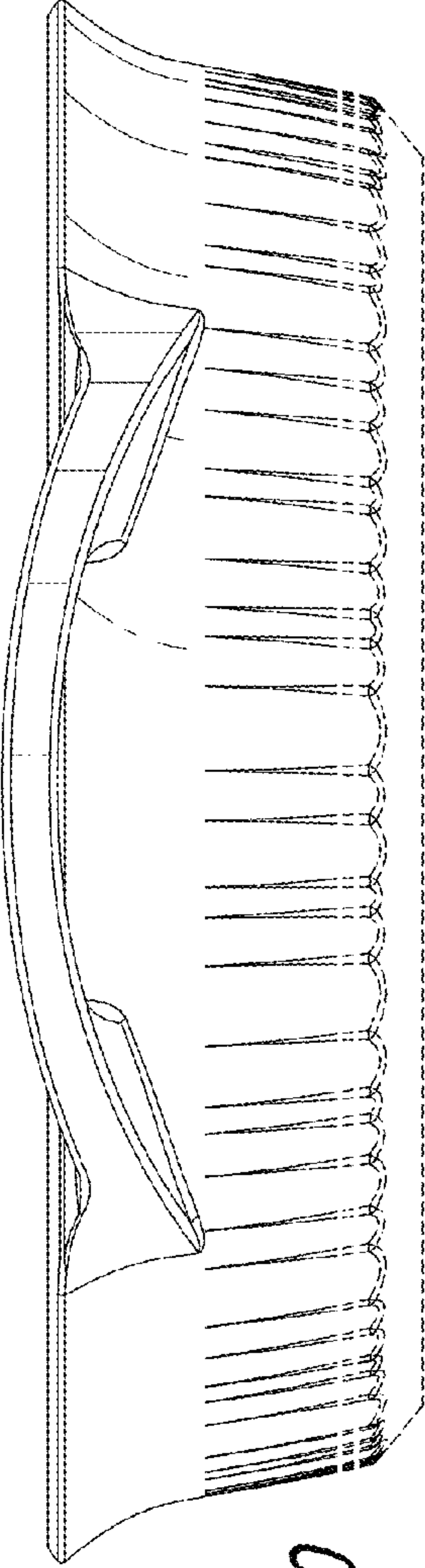


FIG. 20

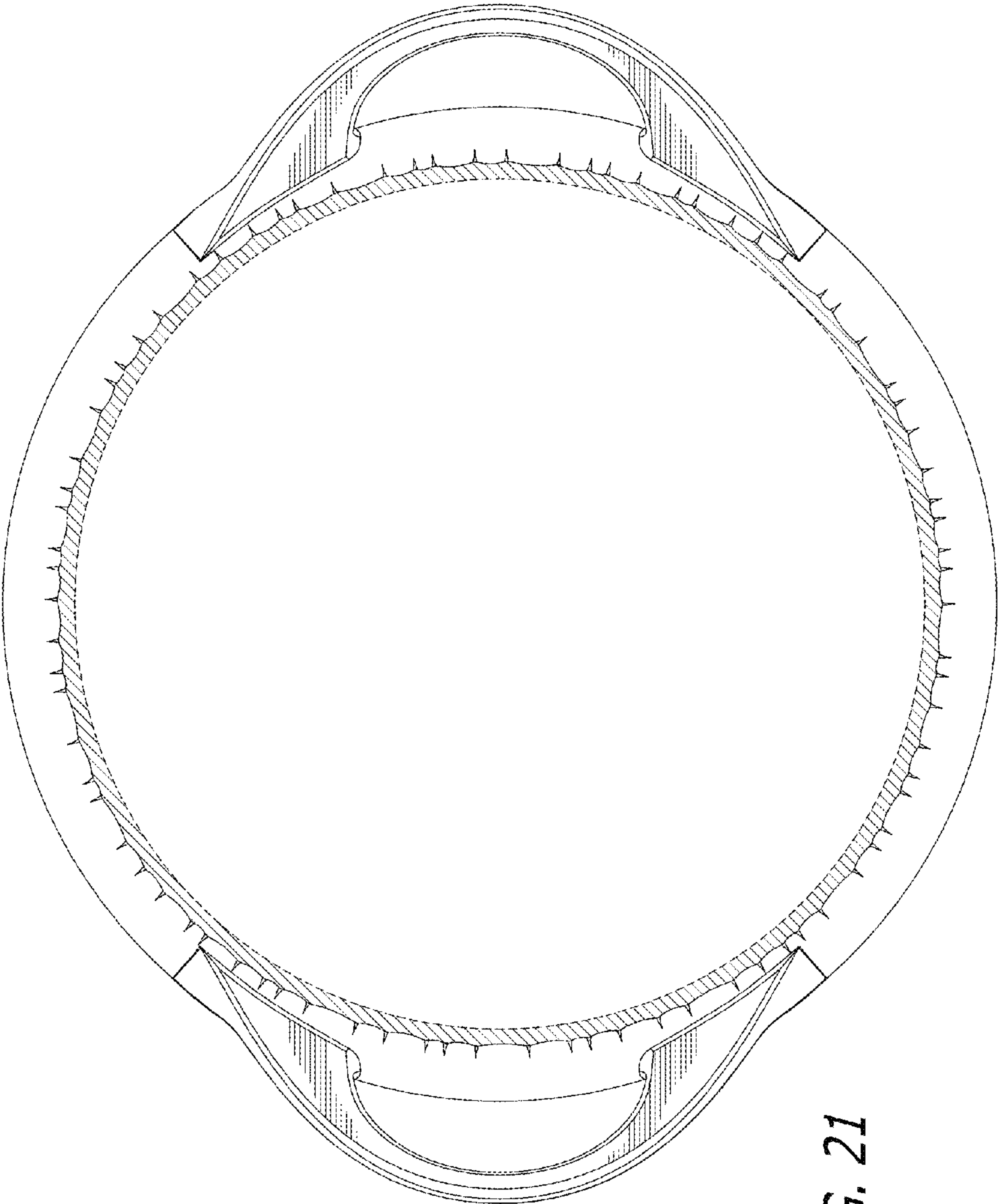


FIG. 21

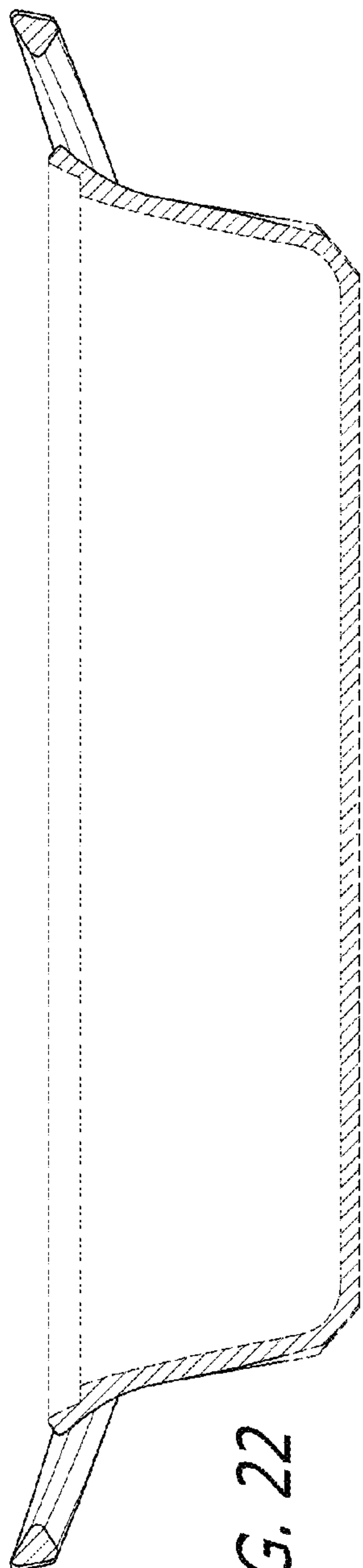


FIG. 22

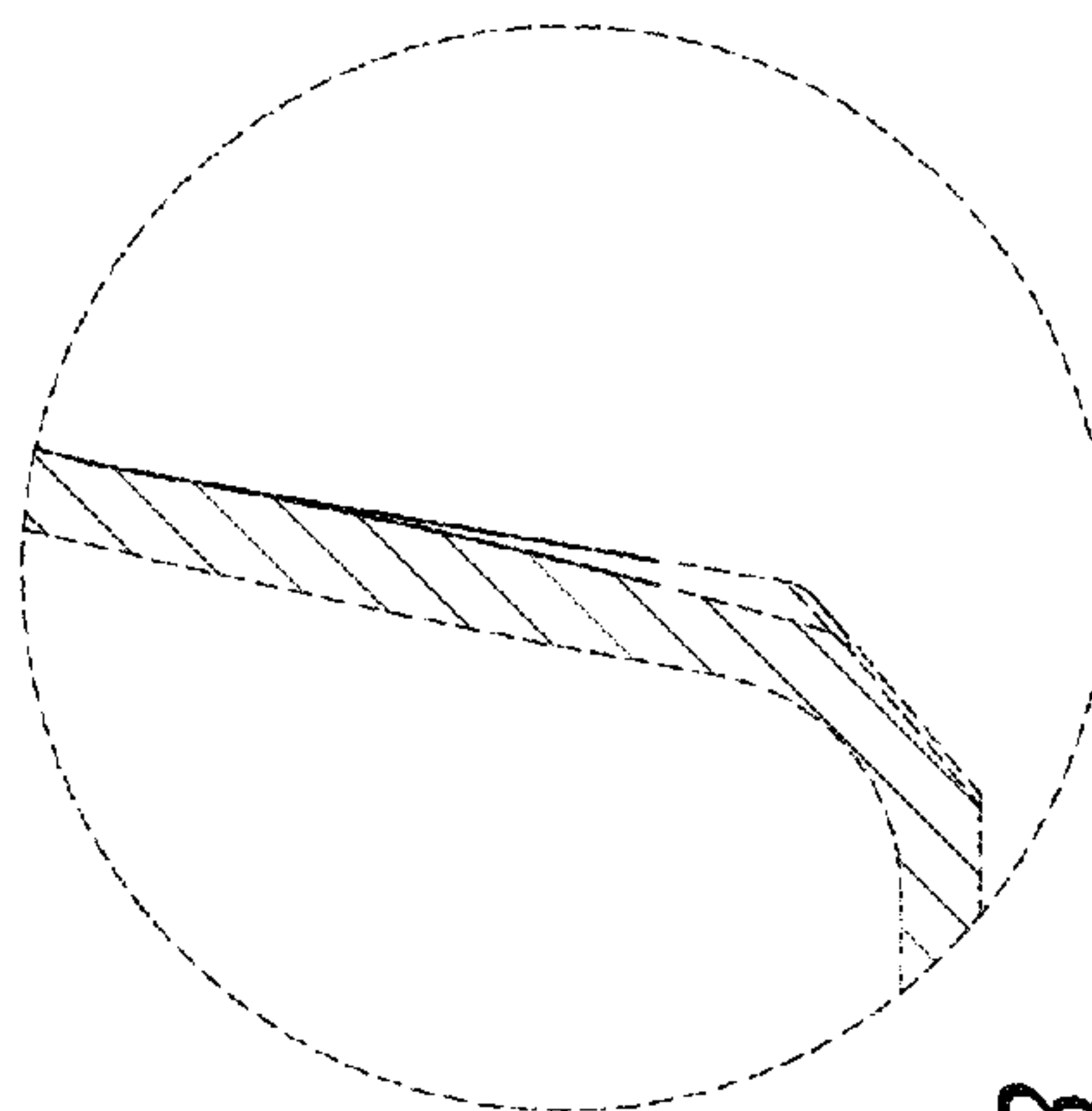


FIG. 23

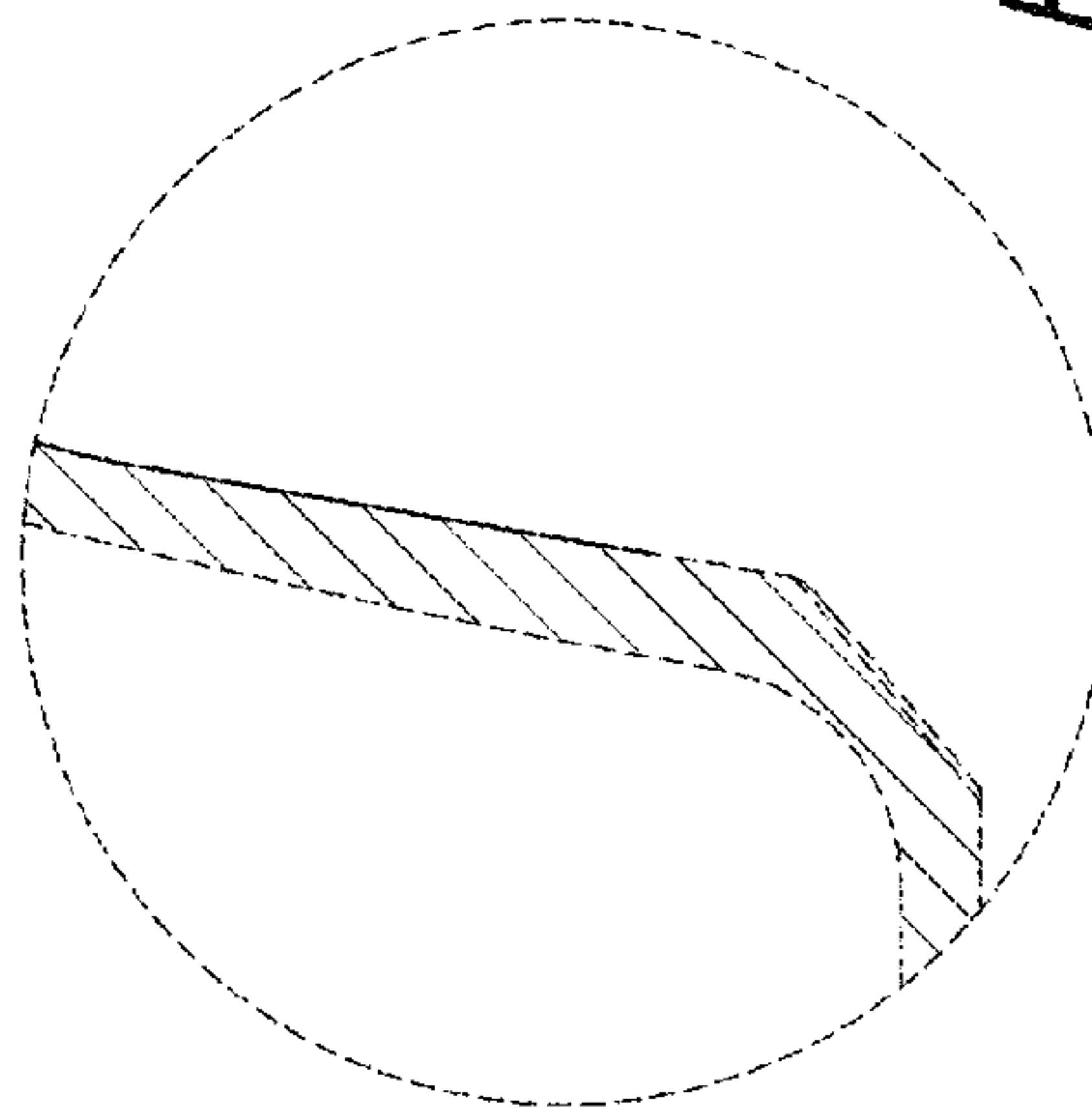


FIG. 24