



US00D717583S

(12) **United States Design Patent**  
**Shin**

(10) **Patent No.:** **US D717,583 S**

(45) **Date of Patent:** **\*\* Nov. 18, 2014**

(54) **POT**

(71) Applicant: **Lock & Lock Co., Ltd.**, Asan (KR)

(72) Inventor: **Je Wook Shin**, Yongin (KR)

(73) Assignee: **Lock & Lock Co., Ltd.**, Asan (KR)

(\*\*) Term: **14 Years**

(21) Appl. No.: **29/483,345**

(22) Filed: **Feb. 27, 2014**

(30) **Foreign Application Priority Data**

Sep. 6, 2013 (KR) ..... 30-2013-0046161

(51) **LOC (10) Cl.** ..... **07-02**

(52) **U.S. Cl.**  
USPC ..... **D7/360; D7/354**

(58) **Field of Classification Search**

CPC ..... A47G 19/12; A47J 27/00; A47J 27/002;  
A47J 27/08; A47J 27/21; A47J 27/58; A47J  
36/025; A47J 36/06; A47J 36/12; A47J 37/00;  
A47J 37/10; A47J 37/101; A47J 37/103;  
A47J 37/12; A47J 37/1204; A47J 45/061;  
A47J 45/071; A47J 45/08; H05B 6/12  
USPC ..... D7/323, 354-363, 391, 393-396, 409,  
D7/538, 542; 99/324, 331, 339-340, 403,  
99/425-426, 444-445; 126/373.1,  
126/383.1-384.1, 390.1; 219/438-439,  
219/620-622; 220/573.1-573.5, 752-753,  
220/755-759, 912; 222/465.1, 470, 475.1  
See application file for complete search history.

(56) **References Cited**

U.S. PATENT DOCUMENTS

D200,332 S *	2/1965	Lee .....	D7/360
D273,755 S *	5/1984	Thurlow .....	D7/359
D434,269 S *	11/2000	Jo .....	D7/360
D500,630 S *	1/2005	Brasset .....	D7/360
D579,714 S *	11/2008	Cheng et al. ....	D7/360
D581,721 S *	12/2008	Rae .....	D7/360
D587,519 S *	3/2009	Cheng et al. ....	D7/360
D618,046 S *	6/2010	Li .....	D7/360
D635,392 S *	4/2011	Shantha et al. ....	D7/354
D637,861 S *	5/2011	Degnan .....	D7/360
D639,605 S *	6/2011	Degnan .....	D7/361
D653,903 S *	2/2012	Cloutier et al. ....	D7/361
D677,515 S *	3/2013	Cloutier .....	D7/361

\* cited by examiner

*Primary Examiner* — Ricky Pham

(57) **CLAIM**

The ornamental design for a pot, as shown and described.

**DESCRIPTION**

FIG. 1 is a perspective view of a pot showing my new design view;  
FIG. 2 is a front elevational view thereof;  
FIG. 3 is a rear elevational view thereof;  
FIG. 4 is a left side elevational view thereof;  
FIG. 5 is a right side elevational view thereof;  
FIG. 6 is a top plan view thereof;  
FIG. 7 is a bottom plan view thereof; and,  
FIG. 8 is a exploded view thereof.

**1 Claim, 5 Drawing Sheets**

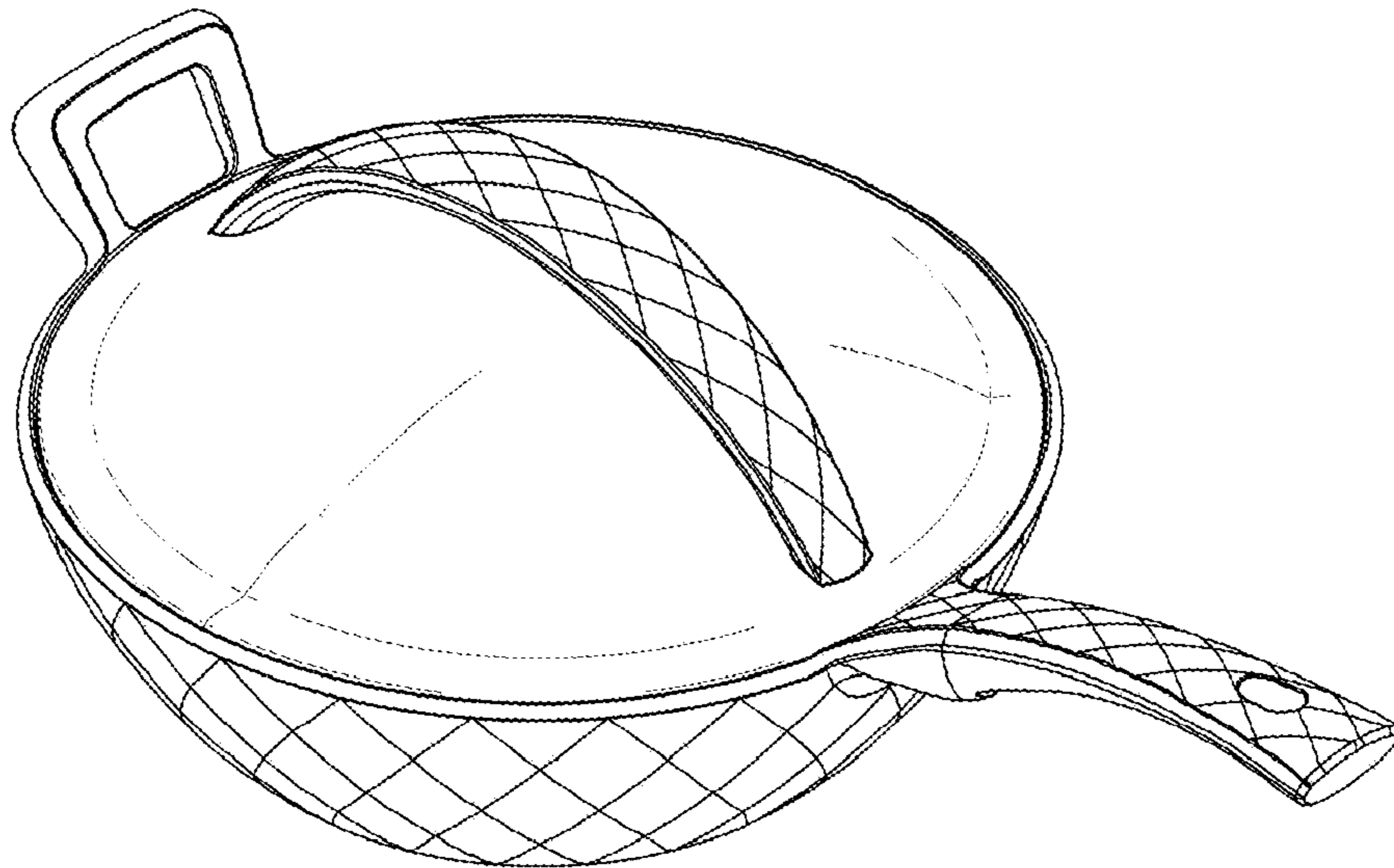


Fig. 1

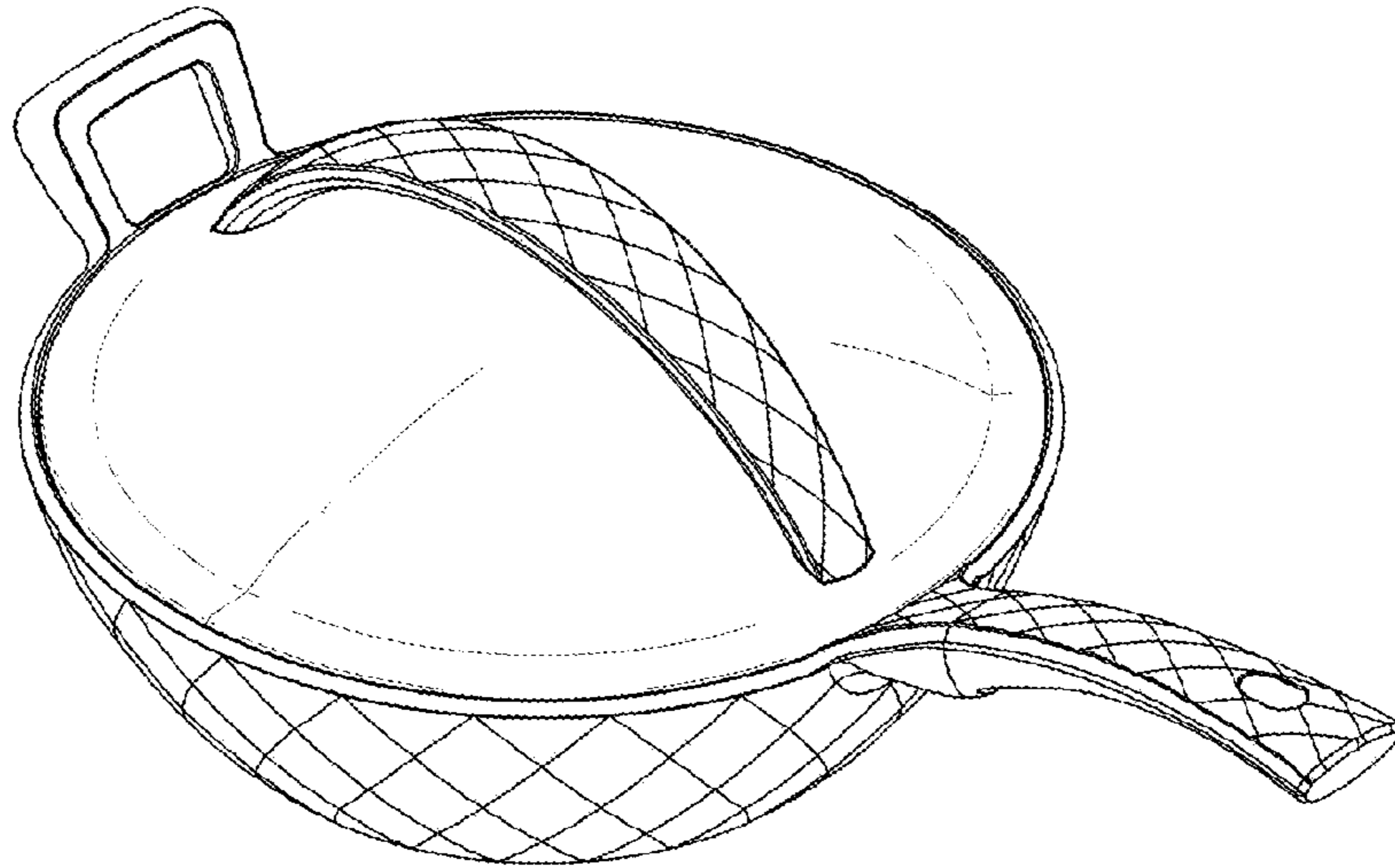


Fig. 2

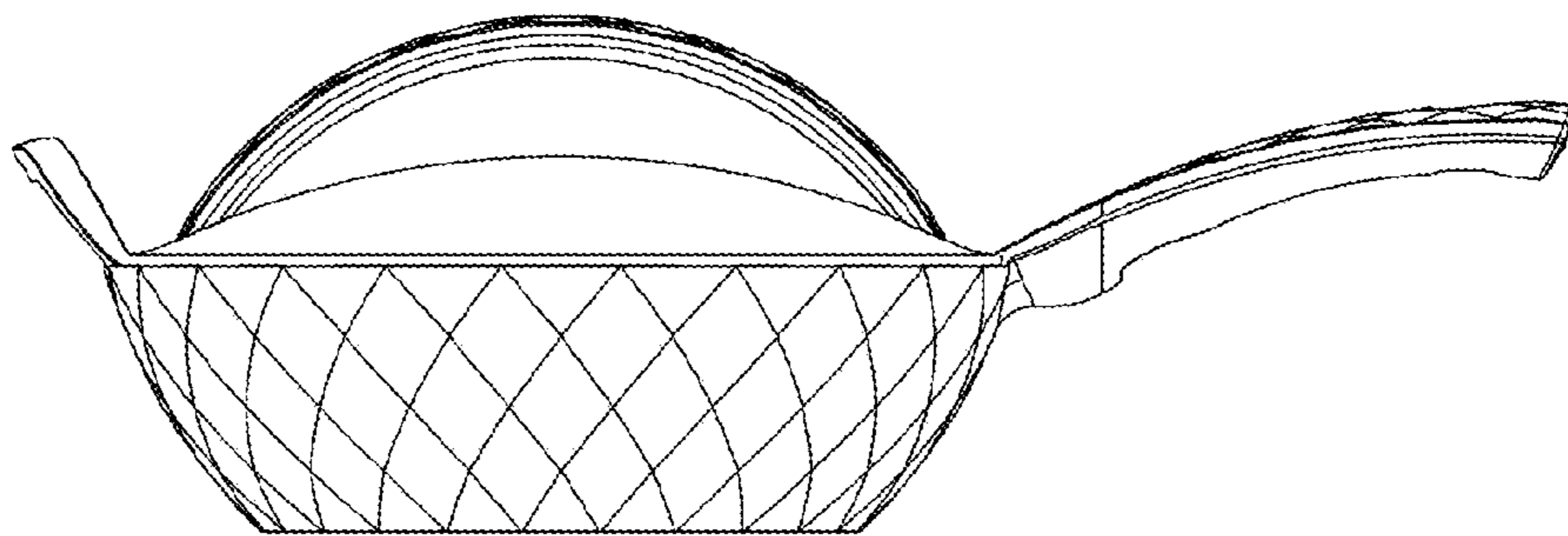


Fig. 3

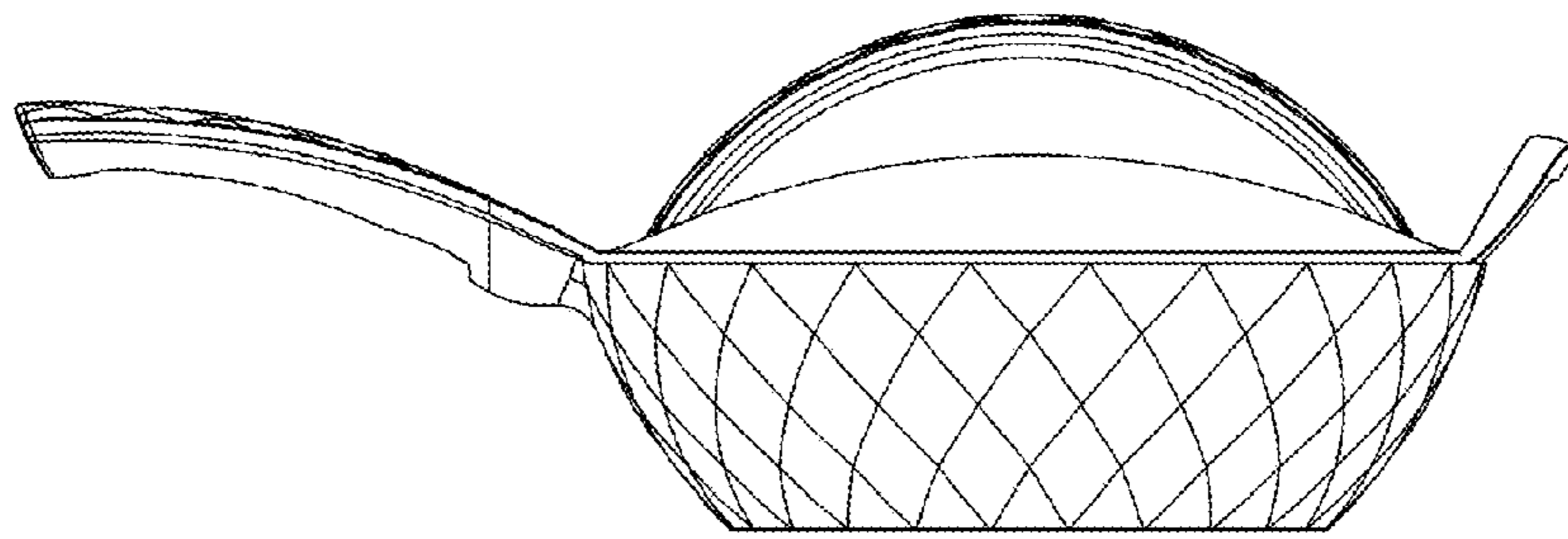


Fig. 4

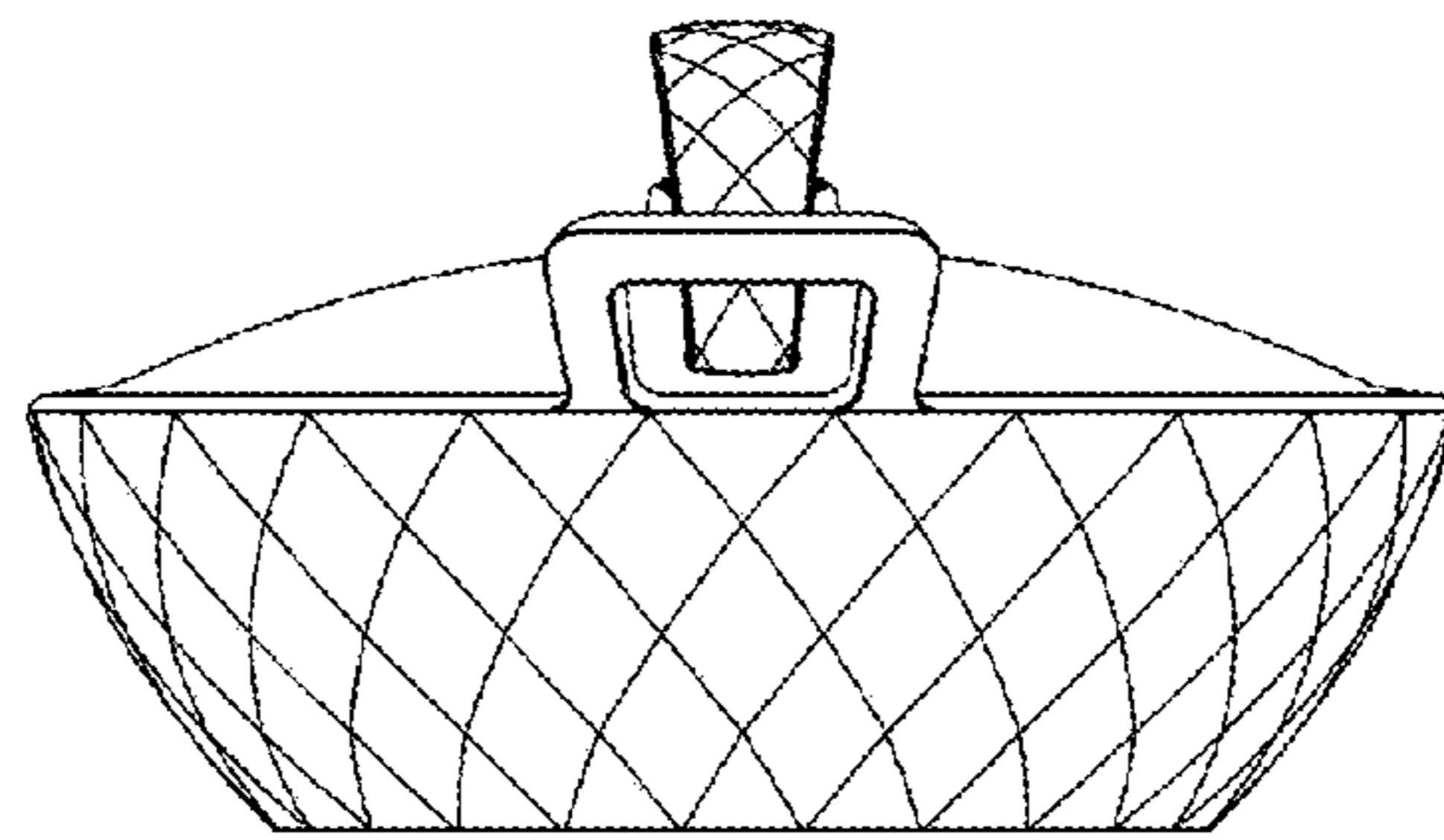


Fig. 5

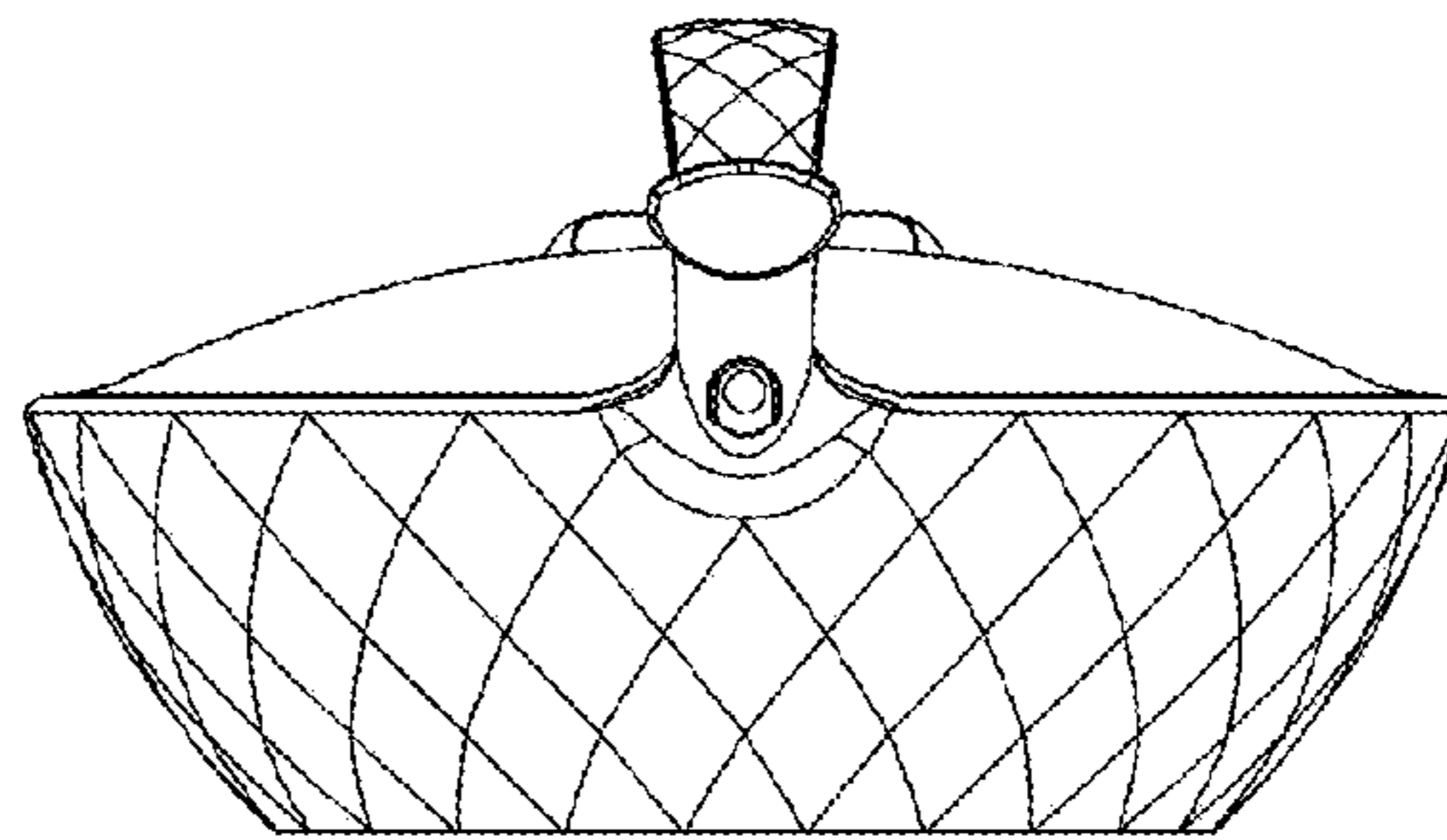


Fig. 6

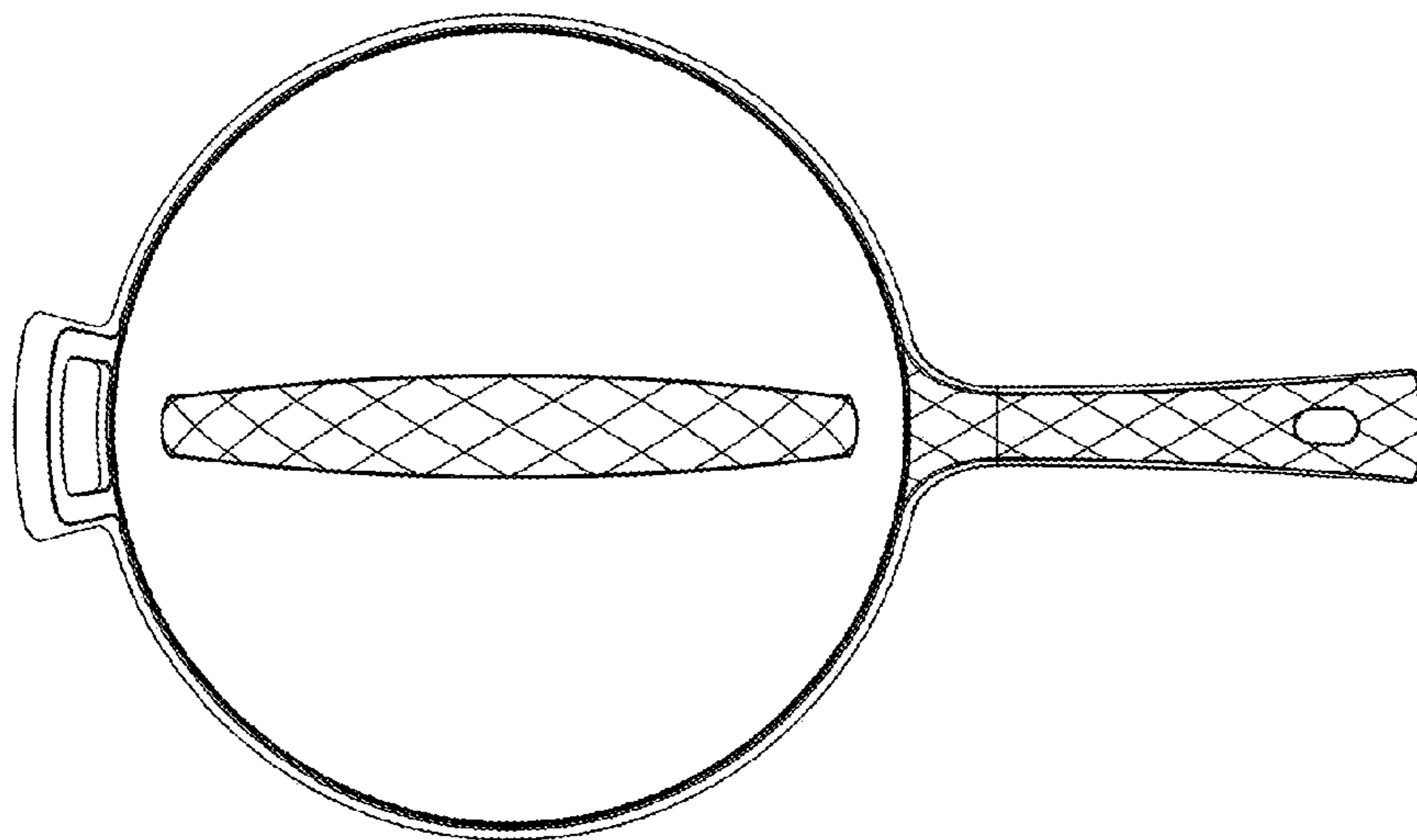


Fig. 7

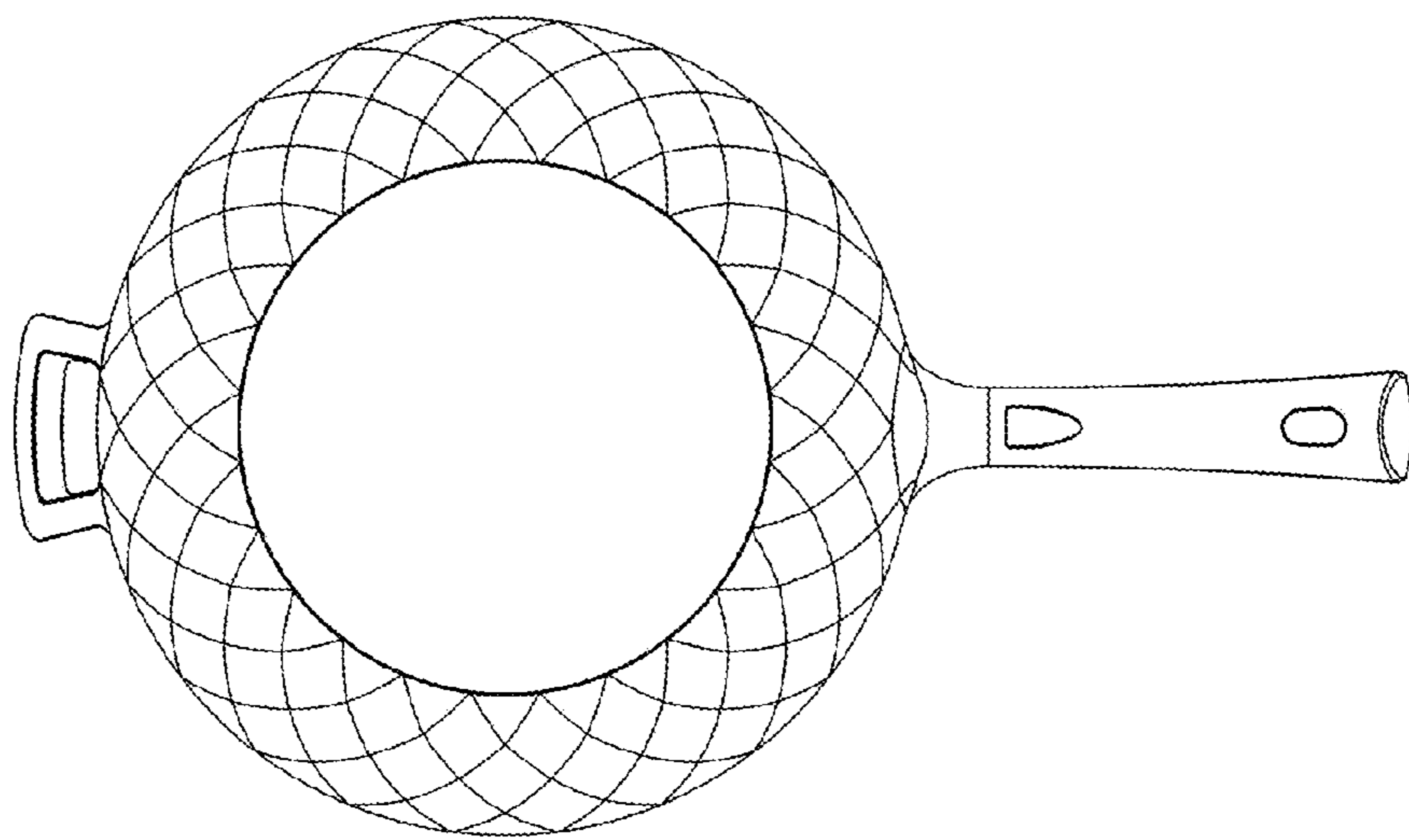


Fig. 8

