



US00D717581S

(12) **United States Design Patent**  
**Kim et al.**

(10) **Patent No.:** **US D717,581 S**  
(45) **Date of Patent:** **\*\* Nov. 18, 2014**

(54) **MICROWAVE OVEN**

(71) Applicant: **Samsung Electronics Co., Ltd.**,  
Suwon-si (KR)

(72) Inventors: **Tai Kyung Kim**, Seoul (KR); **Jaejun Kim**, Seoul (KR)

(73) Assignee: **Samsung Electronics Co., Ltd.**,  
Suwon-si (KR)

(\*\*) Term: **14 Years**

(21) Appl. No.: **29/462,483**

(22) Filed: **Aug. 5, 2013**

(30) **Foreign Application Priority Data**

Feb. 5, 2013 (KR) ..... 30-2013-0006342

(51) **LOC (10) Cl.** ..... **07-02**

(52) **U.S. Cl.**  
USPC ..... **D7/351**

(58) **Field of Classification Search**  
USPC ..... D7/350.1, 350.3, 350.4, 351, 402, 405,  
D7/406; 219/756-758; 126/19 M, 21 A,  
126/275 E

See application file for complete search history.

(56) **References Cited**

**U.S. PATENT DOCUMENTS**

D253,575 S \* 12/1979 Scott et al. .... D7/351  
D310,616 S \* 9/1990 Murai et al. .... D7/351

D364,311 S \* 11/1995 Kim ..... D7/351  
D371,042 S \* 6/1996 Ozaki et al. .... D7/351  
D436,285 S \* 1/2001 Taira ..... D7/351  
D442,018 S \* 5/2001 Kusachi et al. .... D7/351  
D460,659 S \* 7/2002 Hessen et al. .... D7/351  
D654,314 S \* 2/2012 Benold ..... D7/405

\* cited by examiner

*Primary Examiner* — Ruth McInroy

(74) *Attorney, Agent, or Firm* — NSIP Law

(57) **CLAIM**

The ornamental design for a microwave oven, as shown and described.

**DESCRIPTION**

FIG. 1 is a front perspective view of a microwave oven, showing our new design;  
FIG. 2 is a front view thereof;  
FIG. 3 is a rear view thereof;  
FIG. 4 is a left-side view thereof;  
FIG. 5 is a right-side view thereof;  
FIG. 6 is a top view thereof;  
FIG. 7 is a bottom view thereof; and,  
FIG. 8 is another front perspective view of a microwave oven, in which a door portion of the microwave is an open position. The broken lines are for illustrative purposes only and form no part of the claimed design.

**1 Claim, 8 Drawing Sheets**

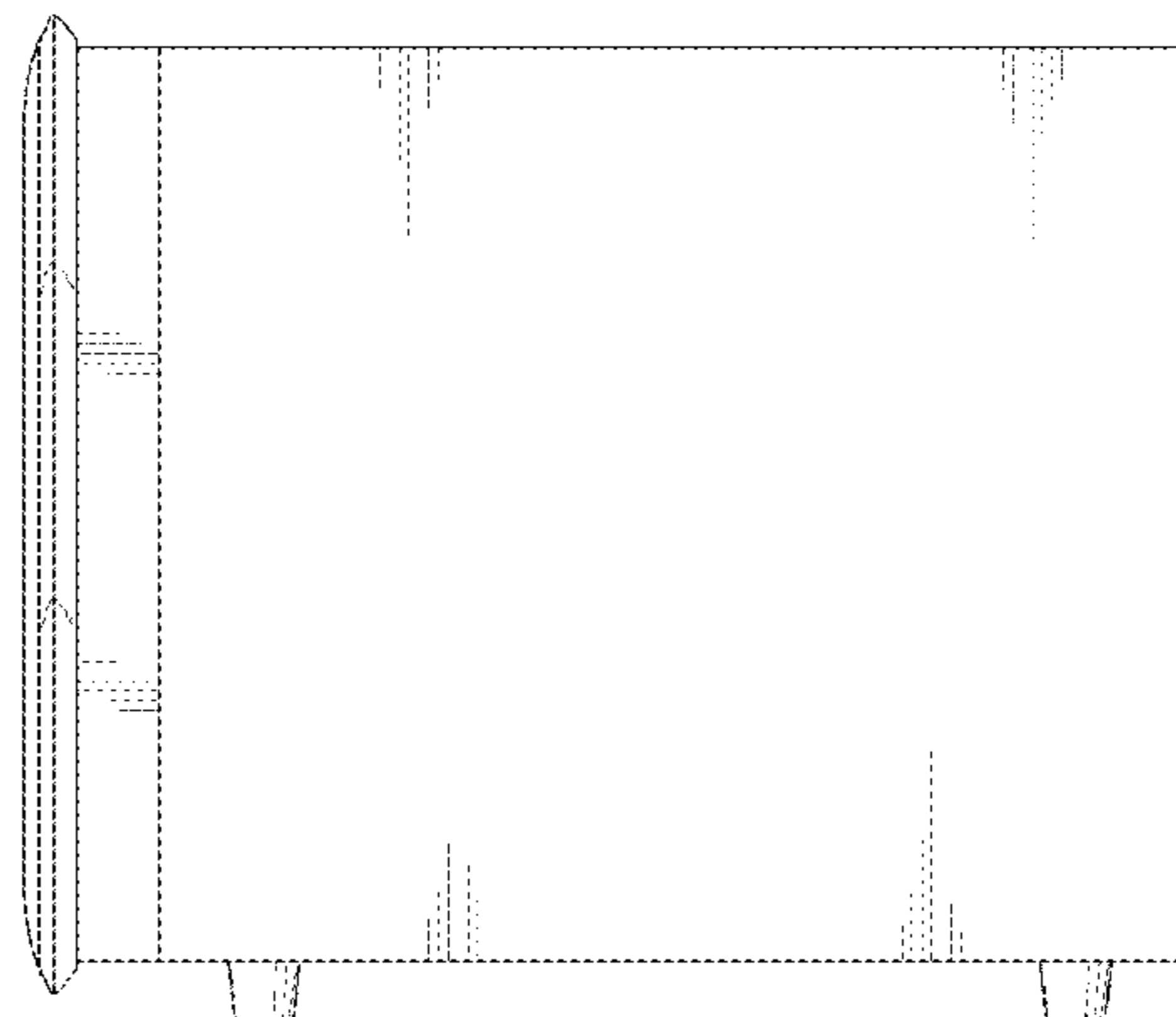
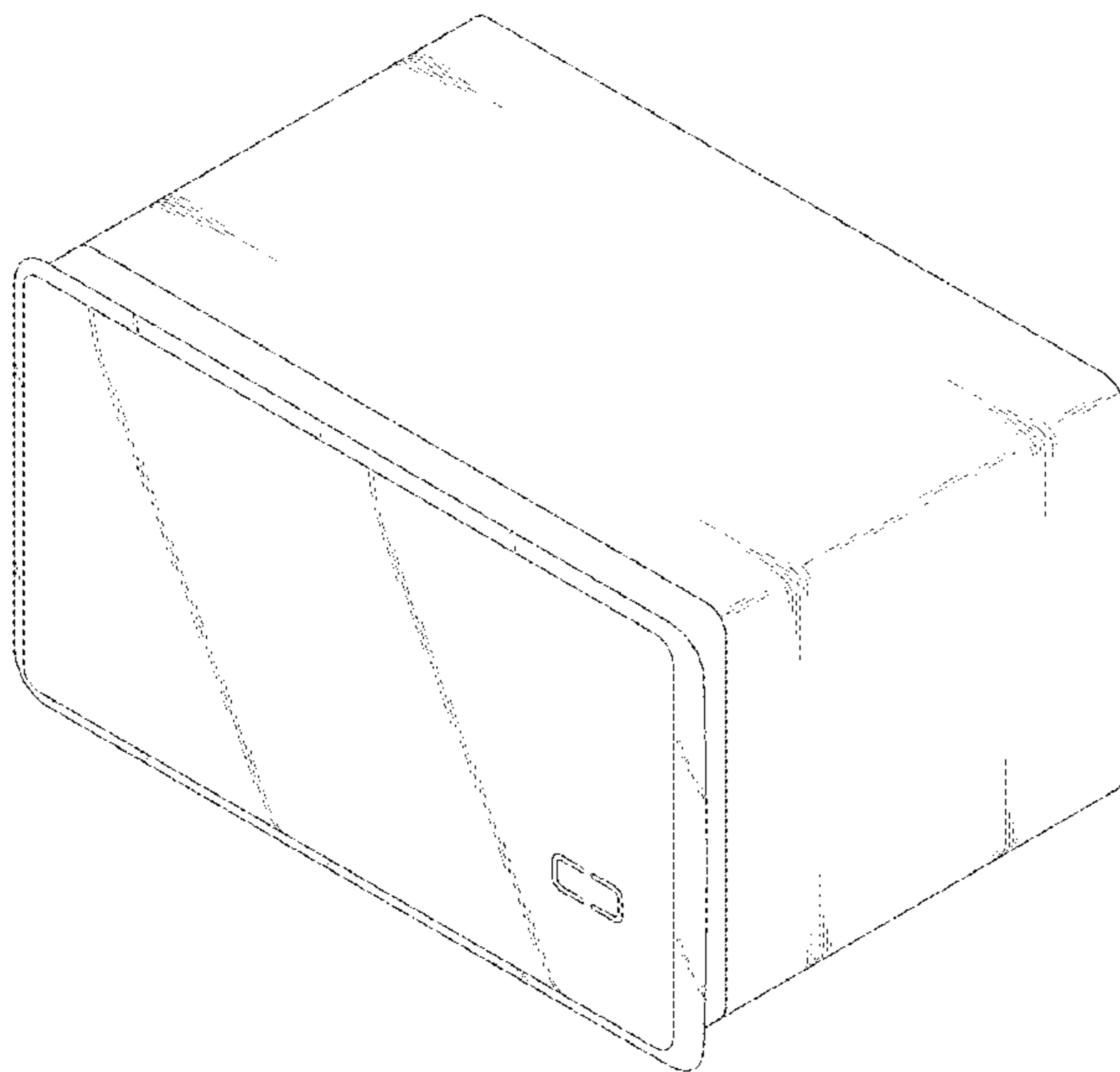


FIG. 1

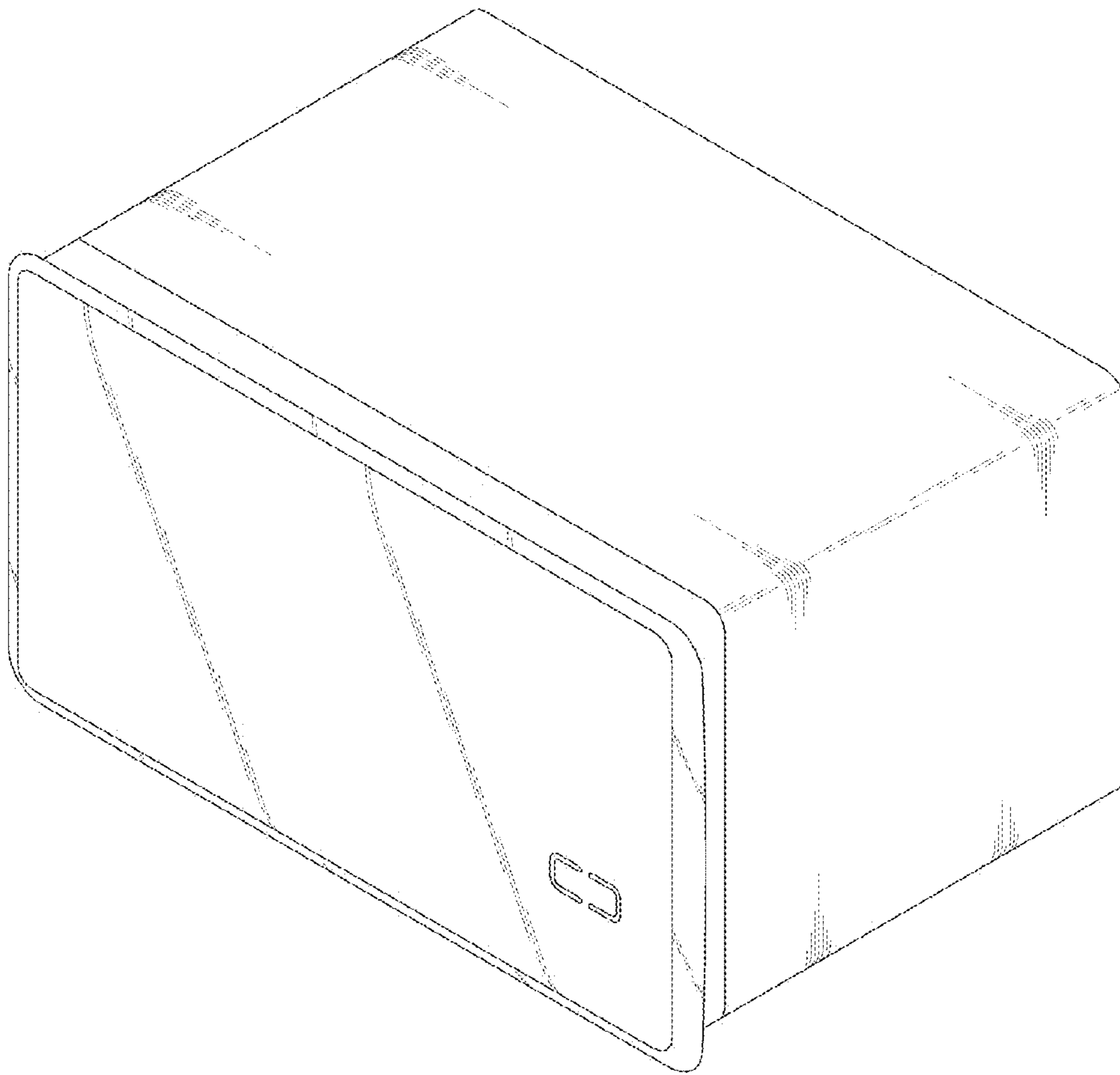


FIG. 2

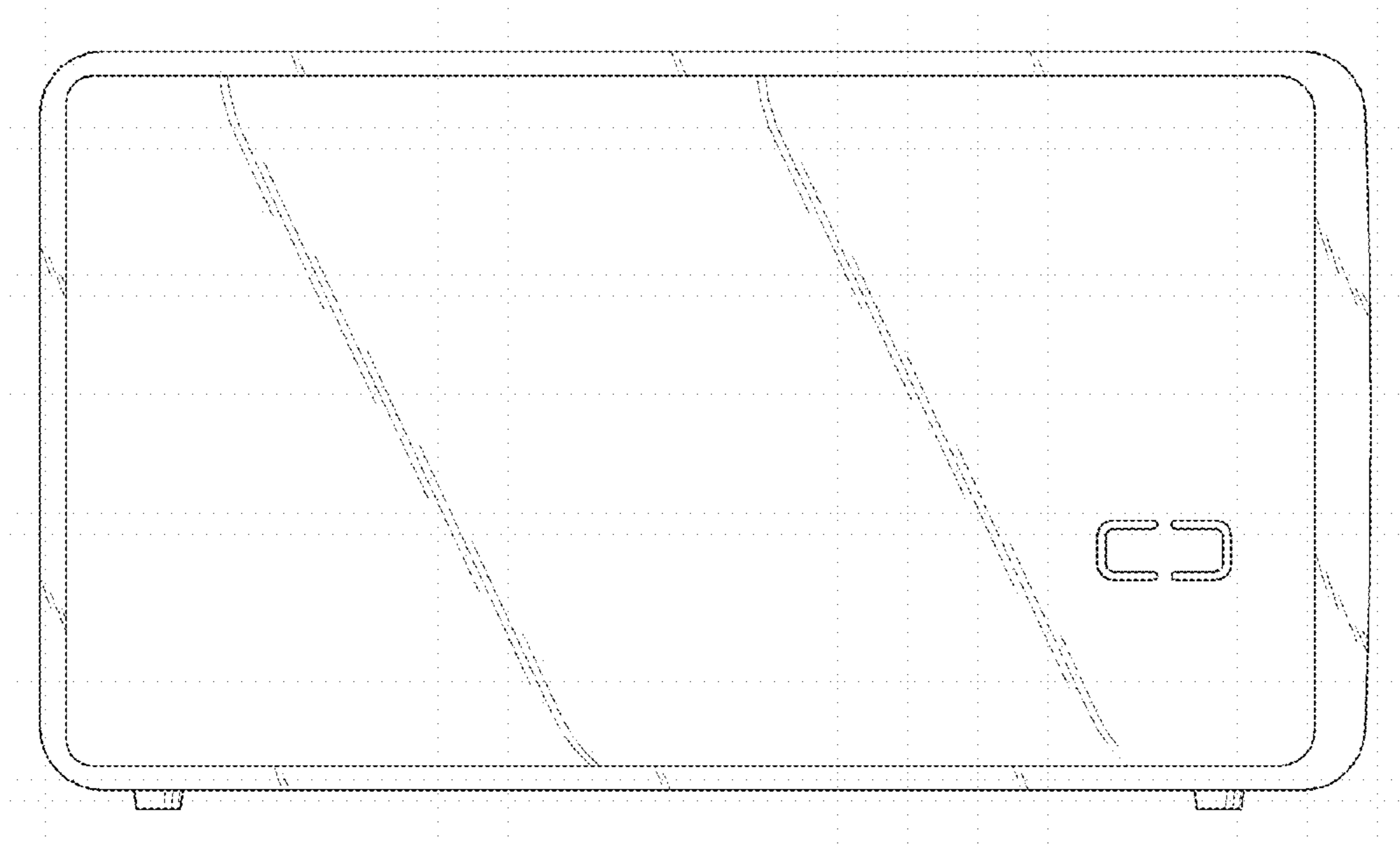


FIG.3

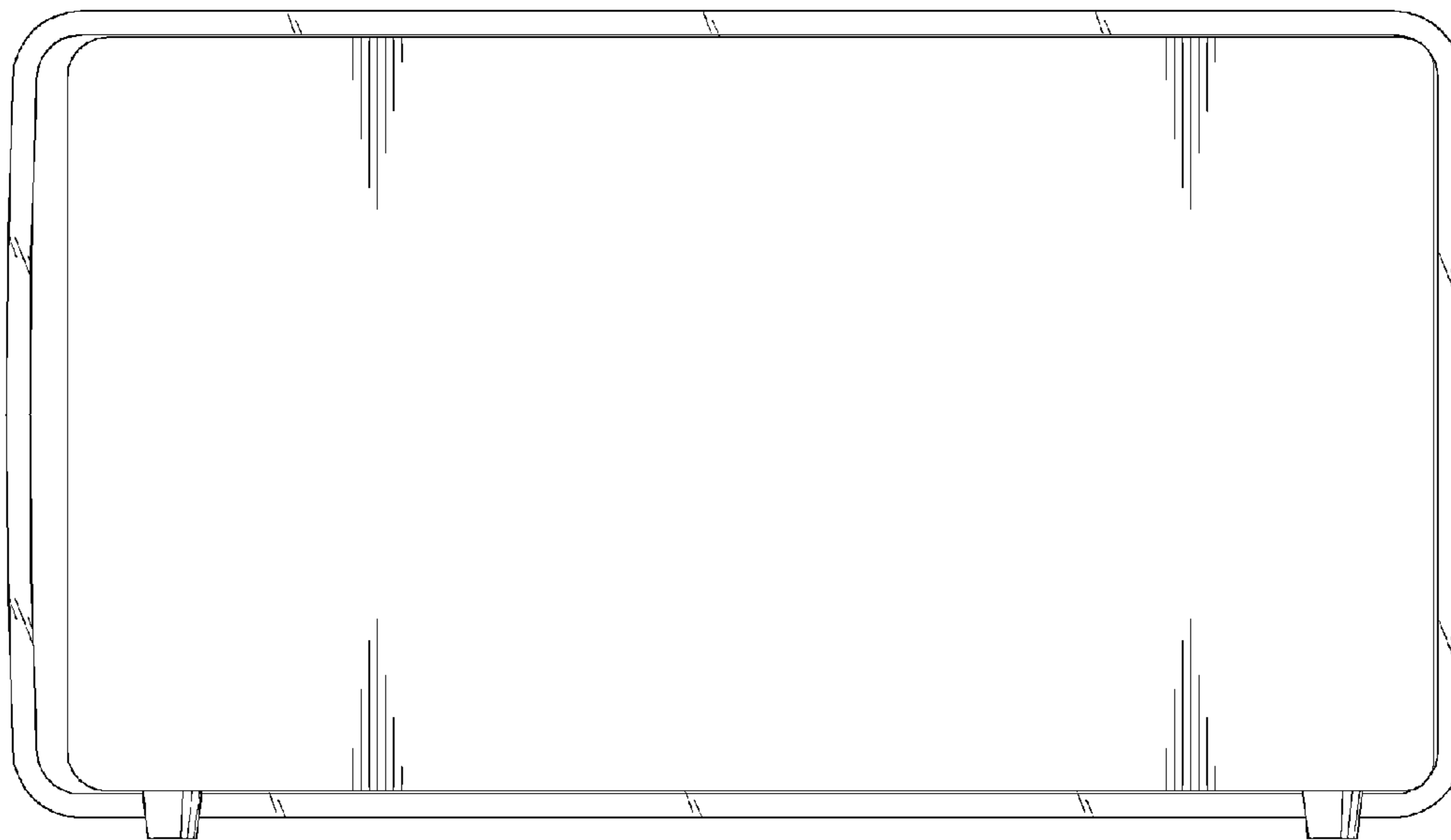


FIG. 4

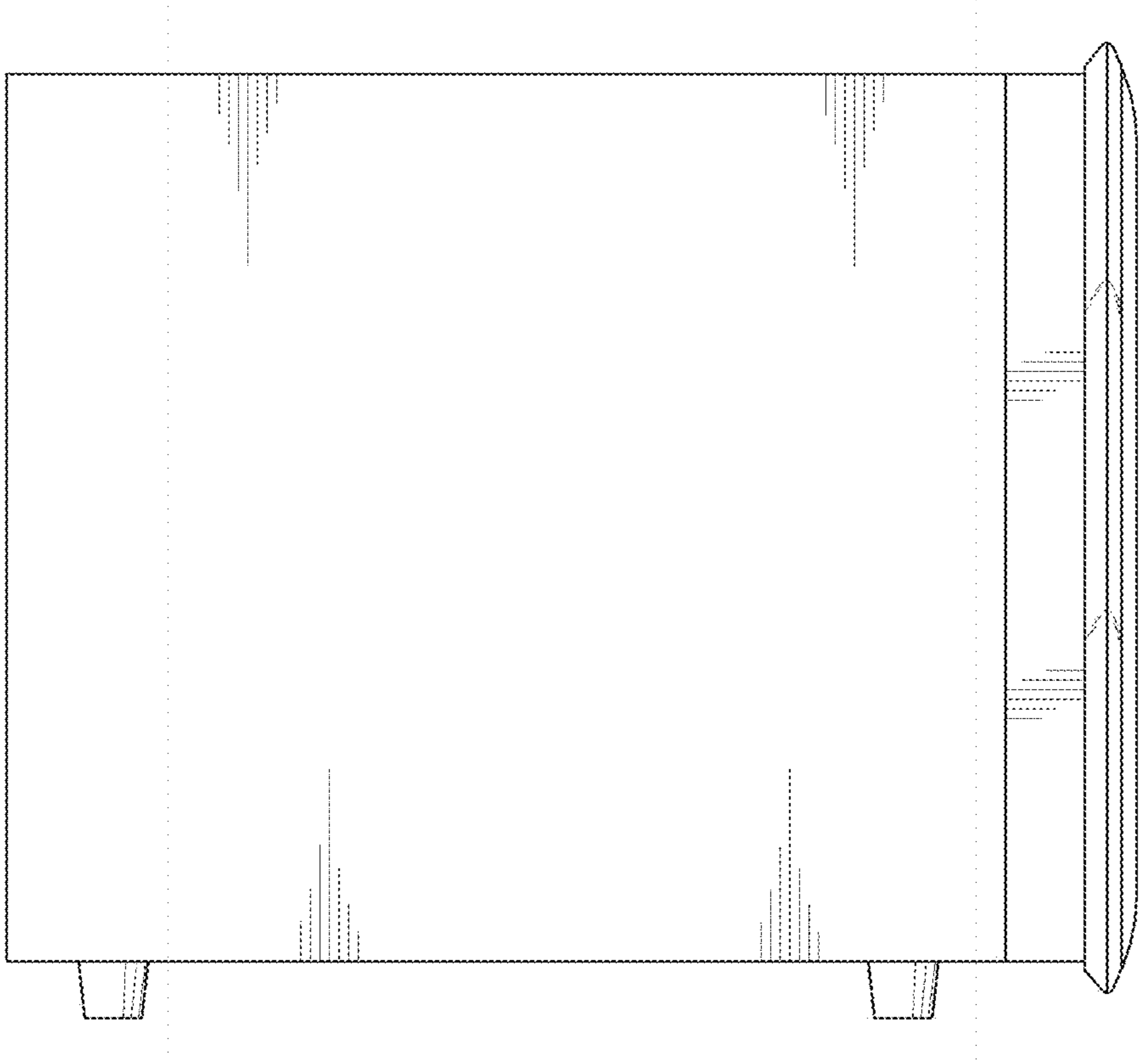


FIG. 5

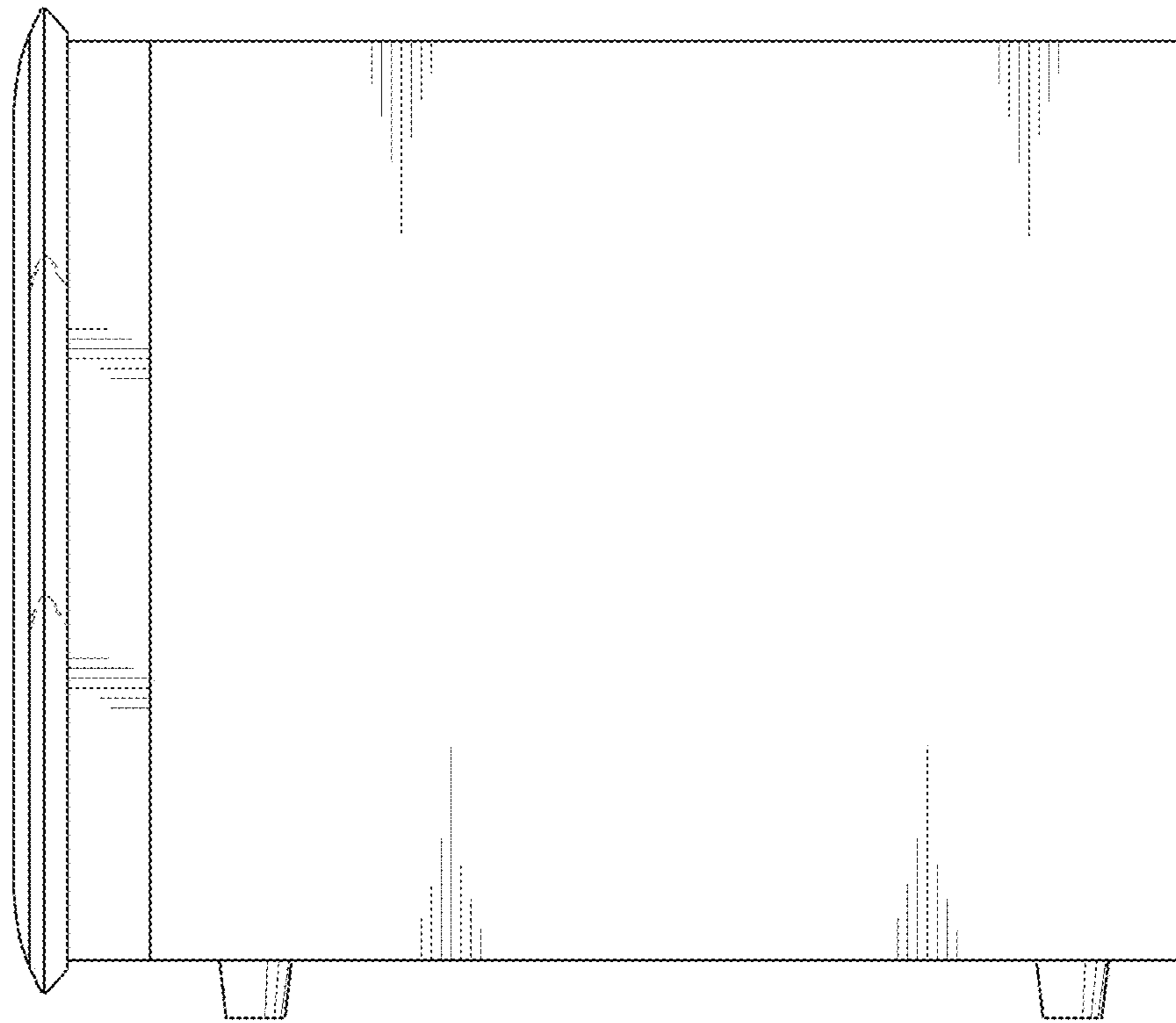


FIG. 6

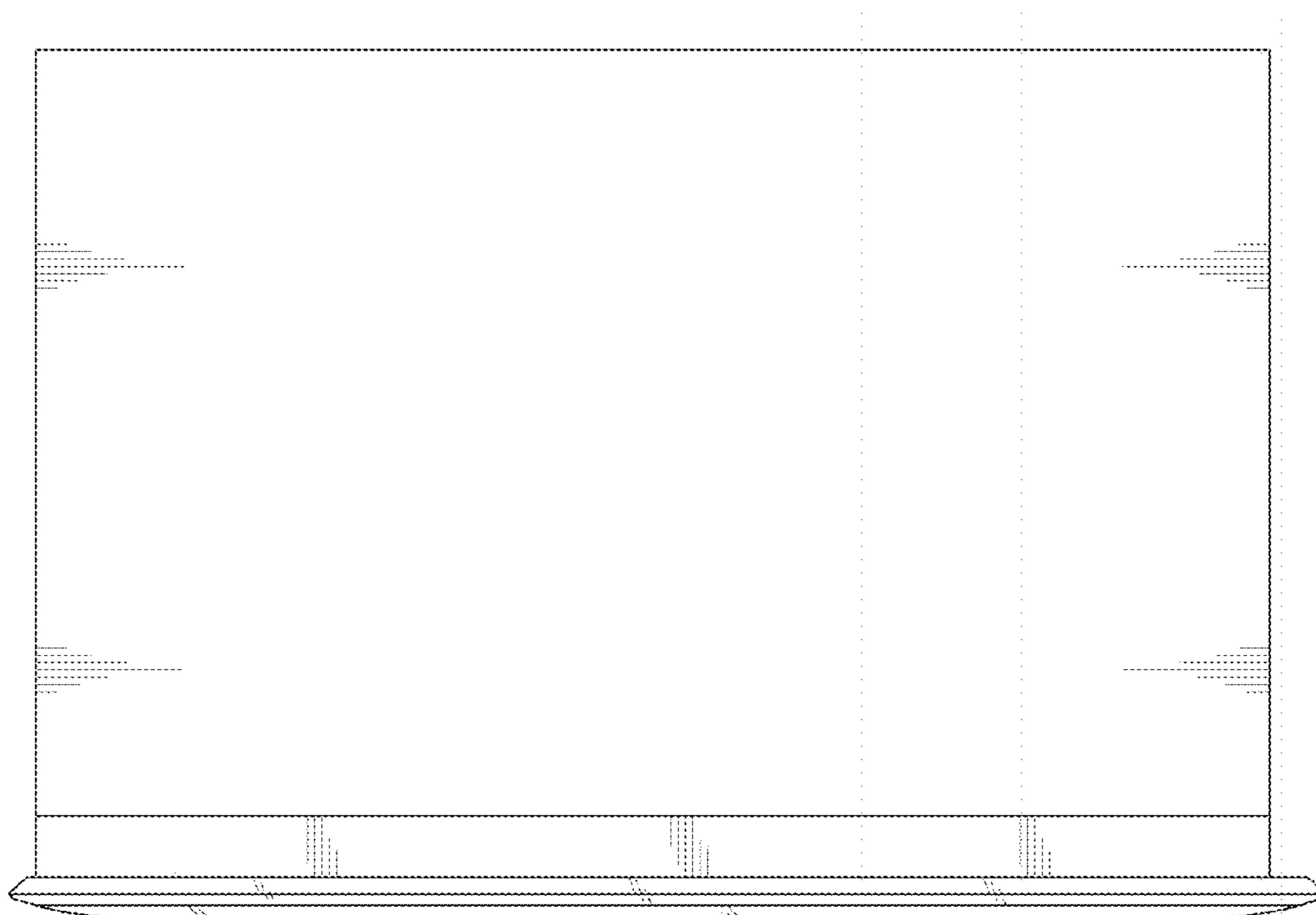


FIG. 7

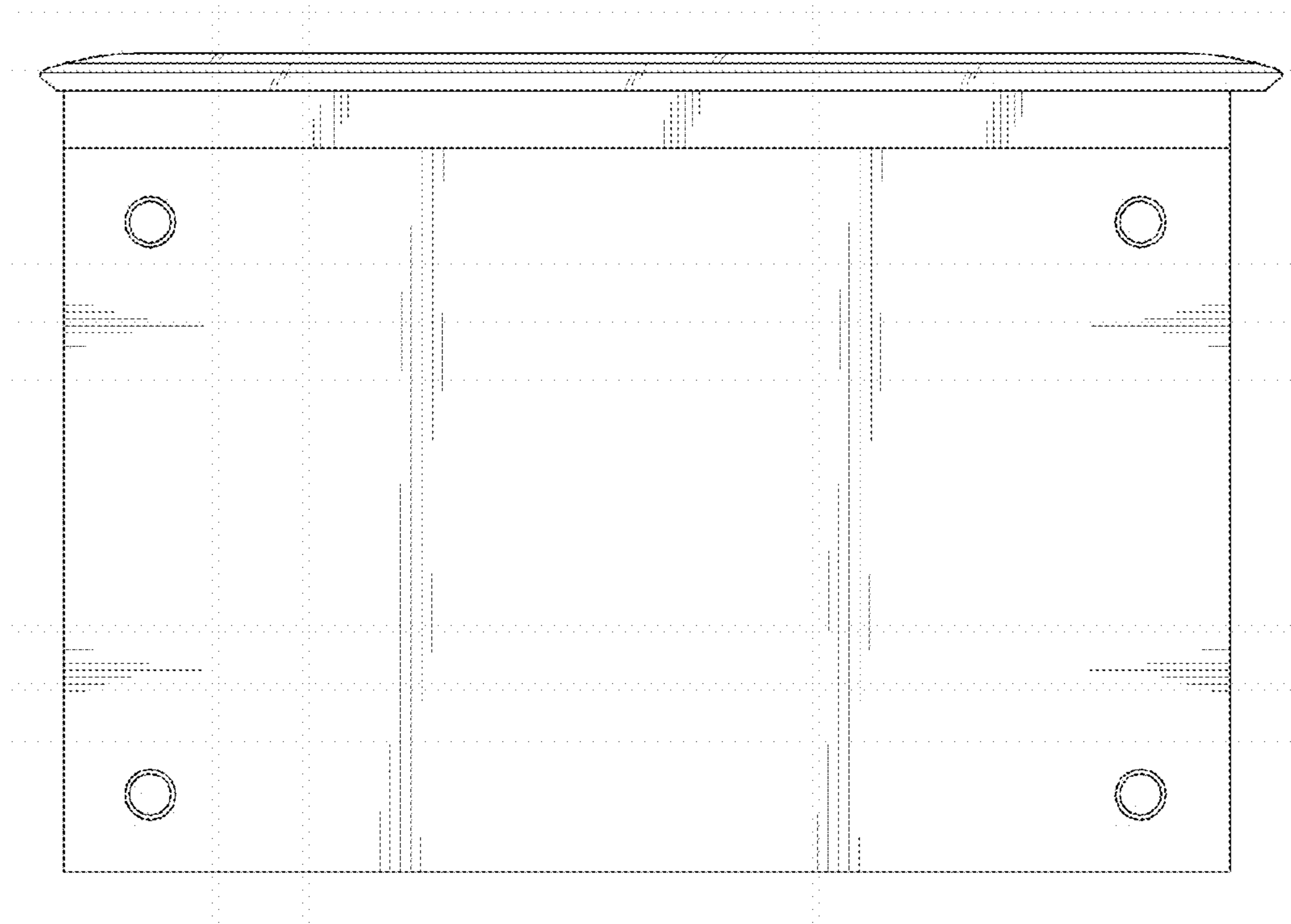




FIG. 8

