



US00D717580S

(12) **United States Design Patent**  
**Bryant**

(10) **Patent No.:** **US D717,580 S**

(45) **Date of Patent:** **\*\* \*Nov. 18, 2014**

(54) **PORTABLE MICROWAVE APPLIANCE**

(76) Inventor: **Terrance A. Bryant**, Miami, FL (US)

(\* ) Notice: This patent is subject to a terminal disclaimer.

(\*\*) Term: **14 Years**

(21) Appl. No.: **29/421,252**

(22) Filed: **Jun. 20, 2012**

(51) **LOC (10) Cl.** ..... **07-02**

(52) **U.S. Cl.**  
USPC ..... **D7/351**

(58) **Field of Classification Search**  
USPC ..... D7/350.1, 350.3, 350.4, 351, 402, 405,  
D7/406, 408, 348, 347; 126/275 E, 273 A,  
126/19 M, 275 R, 21 R; 219/756-758  
See application file for complete search history.

(56) **References Cited**

**U.S. PATENT DOCUMENTS**

4,254,319 A	3/1981	Beh et al.	
4,667,075 A	5/1987	Sakurai	
D294,216 S *	2/1988	Choi	D7/351
D297,392 S *	8/1988	Han	D7/351
D304,411 S *	11/1989	Yoo	D7/351
D304,542 S *	11/1989	Yoo	D7/351
D304,662 S *	11/1989	Yoo	D7/351
4,904,837 A	2/1990	Low et al.	
D308,316 S *	6/1990	Kawaishi et al.	D7/351
D312,553 S *	12/1990	Komar	D7/351
D318,396 S *	7/1991	Jung	D7/351
5,276,300 A	1/1994	Low et al.	
5,331,128 A	7/1994	Koh	

6,013,909 A	1/2000	Aramaki et al.	
6,060,700 A	5/2000	Perlman et al.	
6,153,870 A	11/2000	Kim et al.	
D456,666 S	5/2002	Monguilod	
6,508,679 B2	1/2003	Han et al.	
6,664,523 B1	12/2003	Kim et al.	
6,693,267 B2	2/2004	Shimizu et al.	
6,759,636 B2	7/2004	Stutman	
6,774,567 B2	8/2004	Jang et al.	
6,852,959 B1	2/2005	Han et al.	
7,034,267 B2	4/2006	Kim et al.	
D577,246 S *	9/2008	Kikumoto	D7/351
D606,799 S	12/2009	Saunders	
D613,990 S *	4/2010	Baek	D7/351
D615,804 S *	5/2010	Baek	D7/351
D626,370 S *	11/2010	Baek	D7/351
7,835,534 B2	11/2010	Cole, Jr. et al.	
D675,475 S *	2/2013	Yoon	D7/351

\* cited by examiner

*Primary Examiner* — Ruth McInroy

(74) *Attorney, Agent, or Firm* — Paul R. Martin

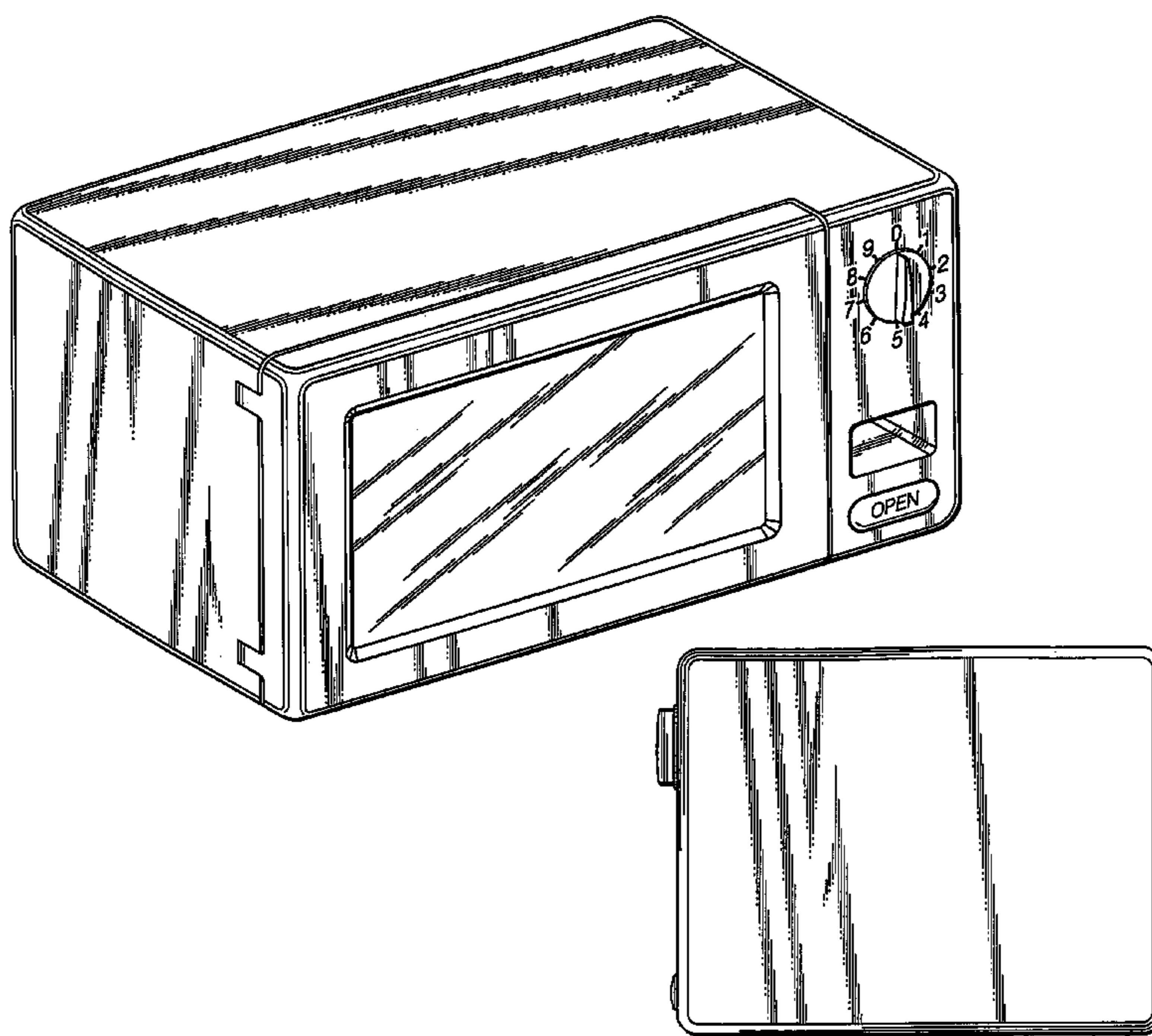
(57) **CLAIM**

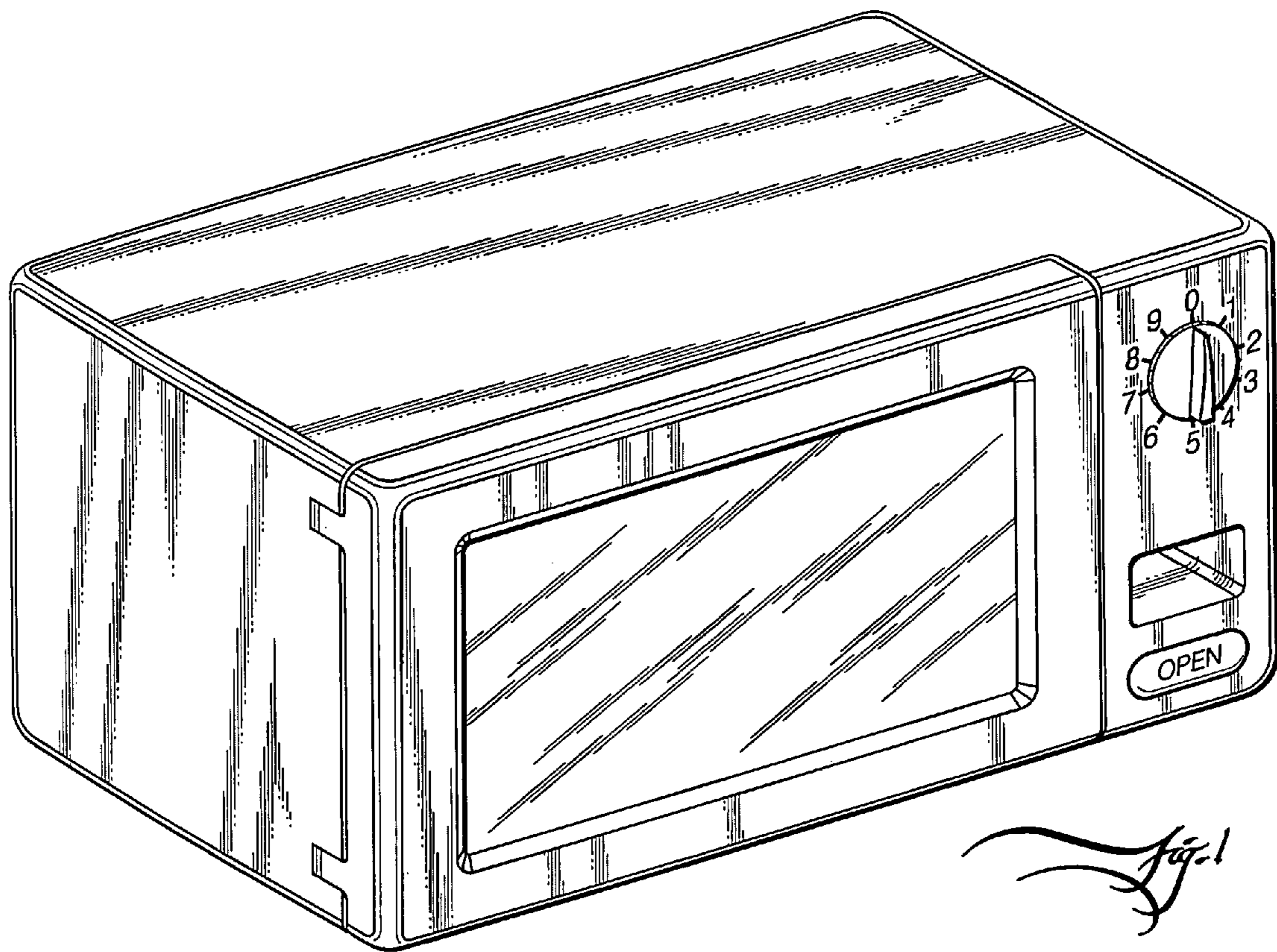
The ornamental design for a portable microwave appliance, as shown and described.

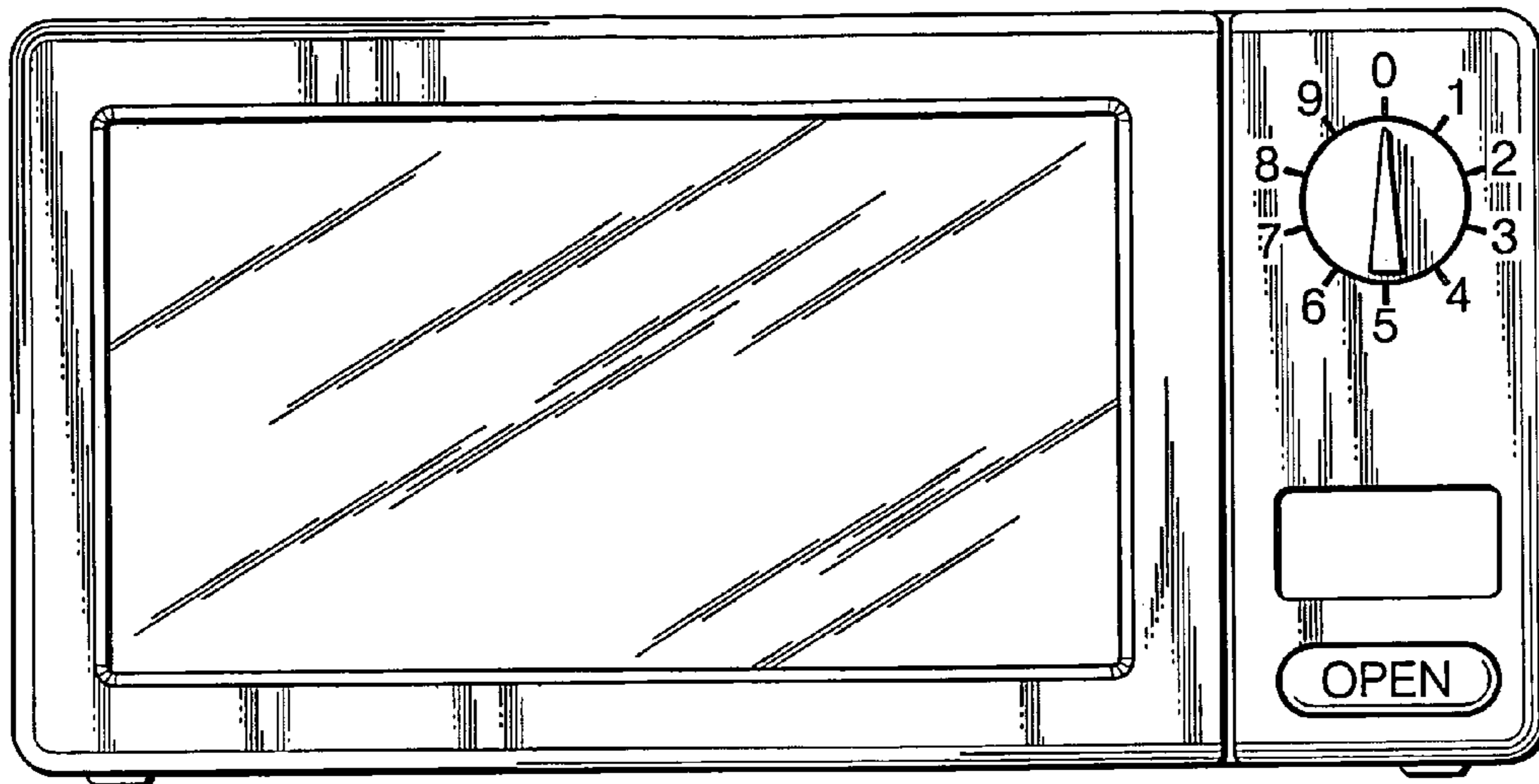
**DESCRIPTION**

FIG. 1 is a front perspective view of a portable microwave appliance showing my new design; FIG. 2 is a front elevation view thereof; FIG. 3 is a top plan view thereof. FIG. 4 is a bottom plan view thereof. FIG. 5 is a back elevational view thereof. FIG. 6 is a right side elevational view thereof; and, FIG. 7 is a left side elevational view thereof.

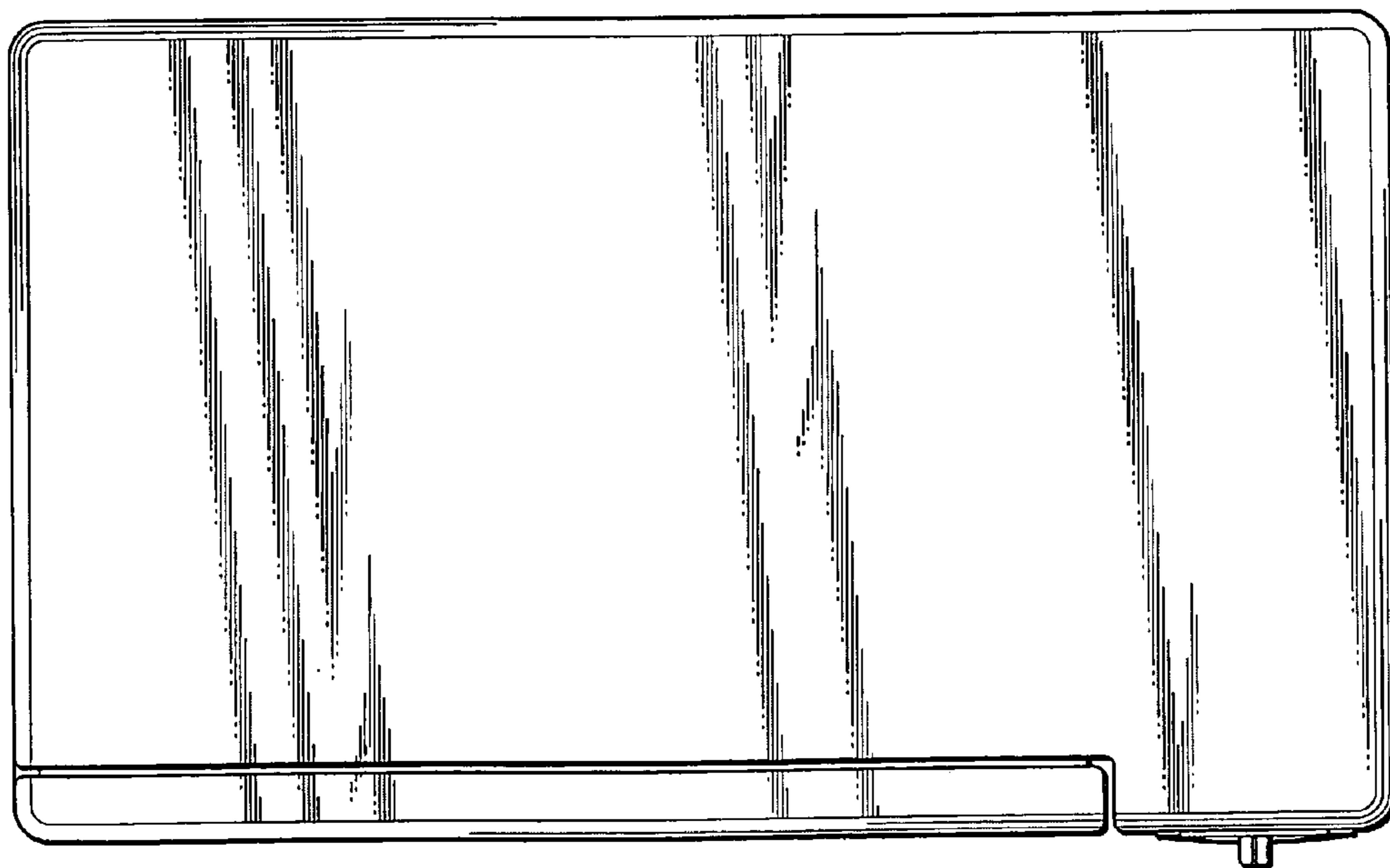
**1 Claim, 4 Drawing Sheets**



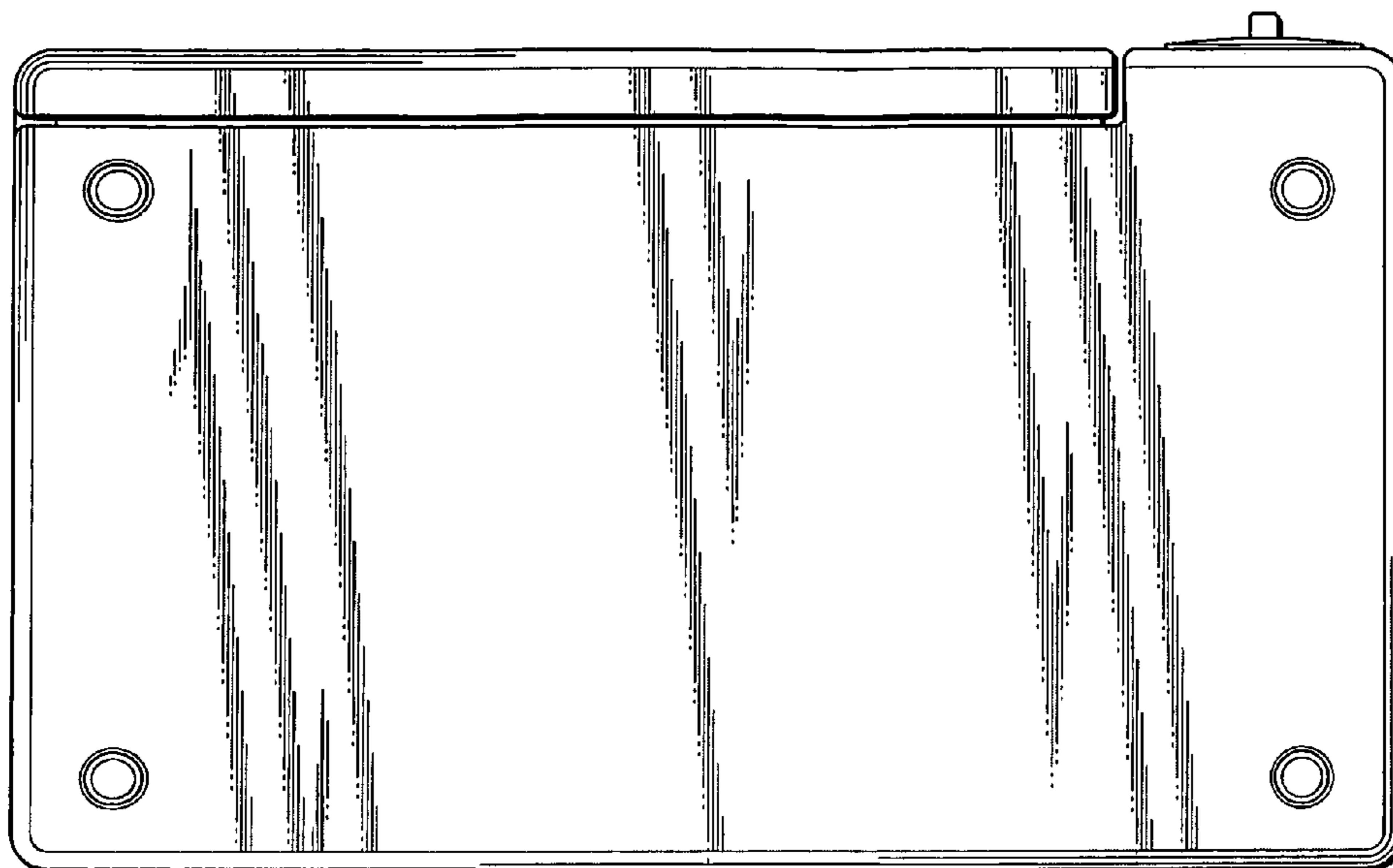




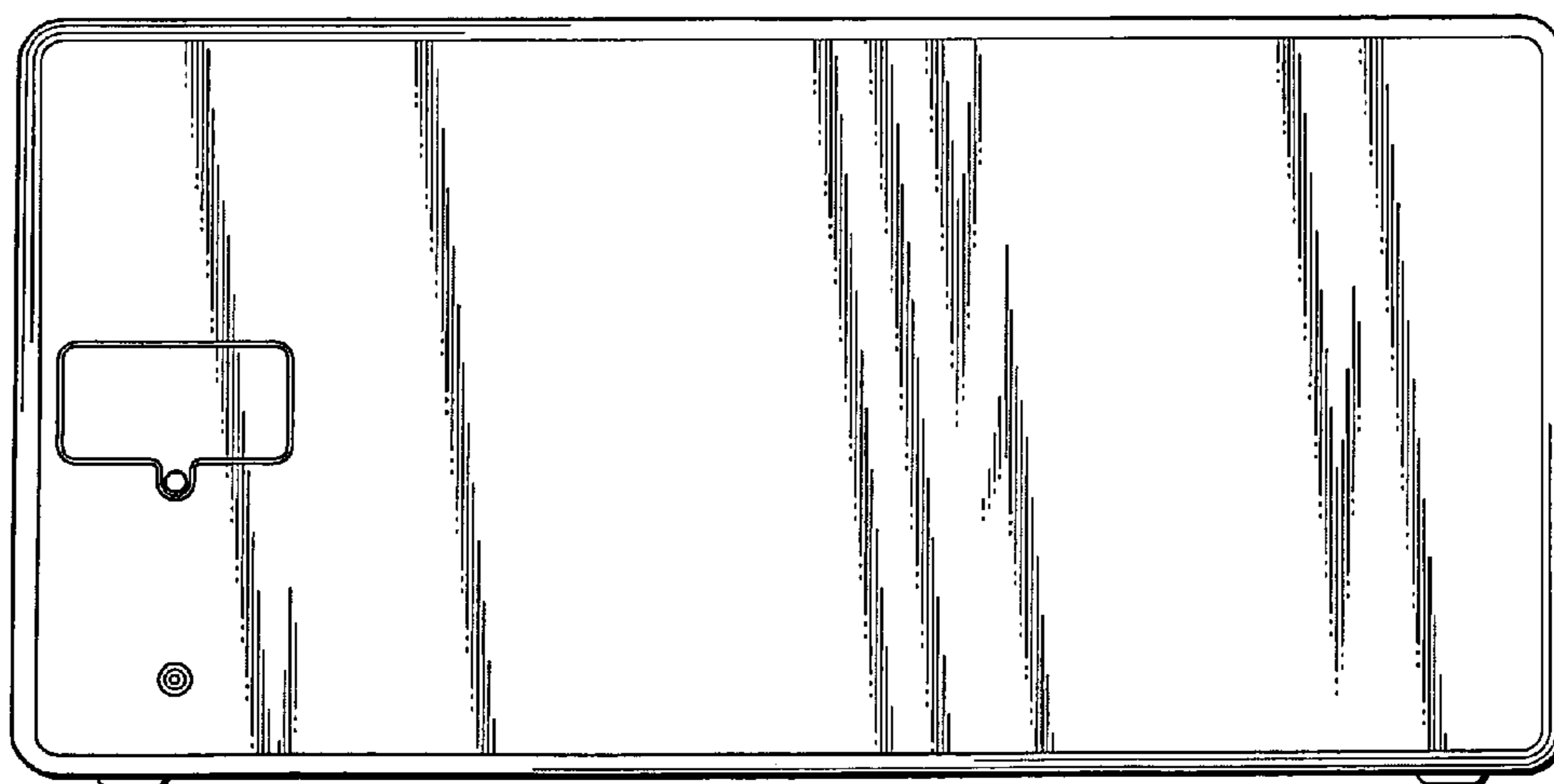
*Fig. 2*



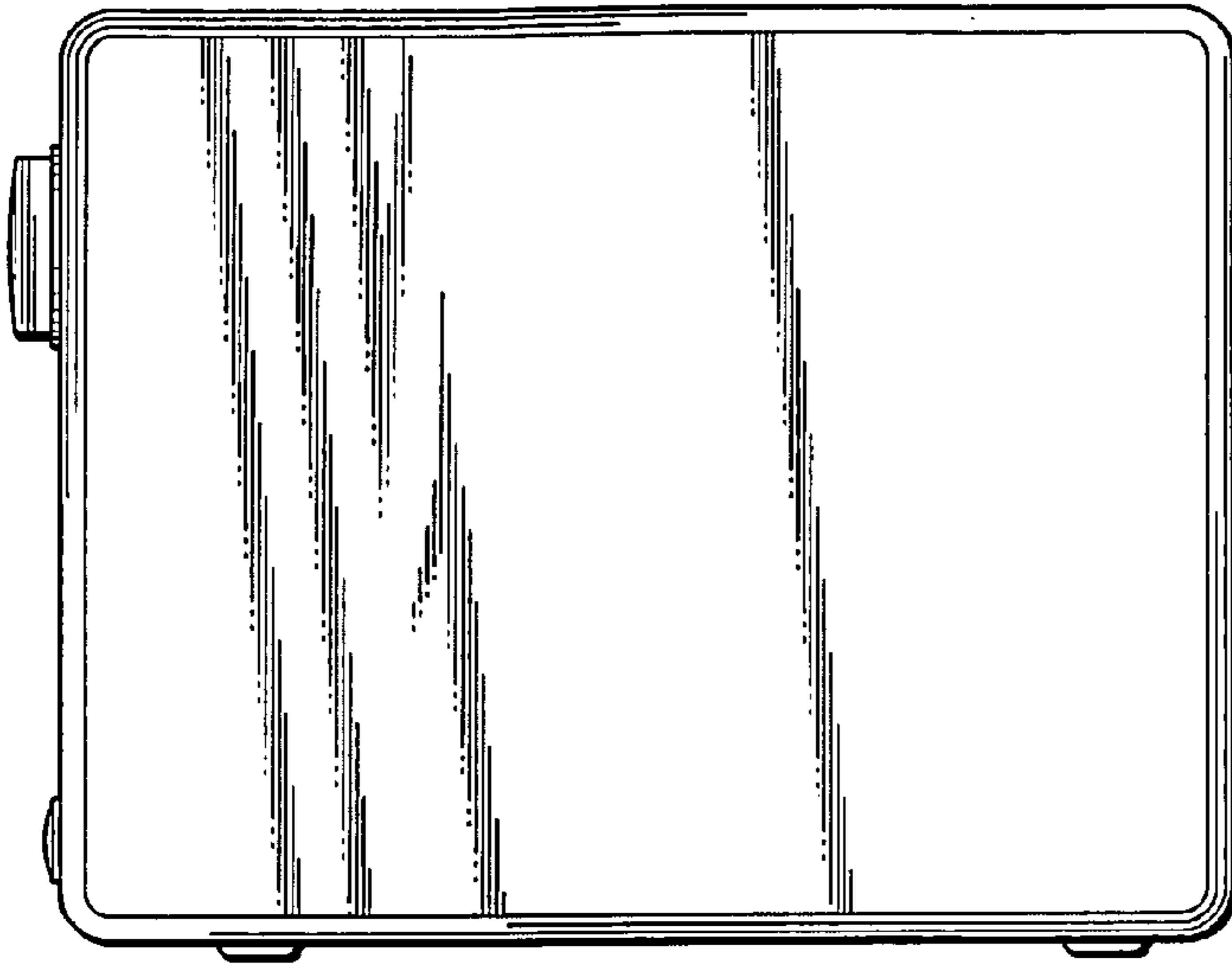
*Fig. 3*



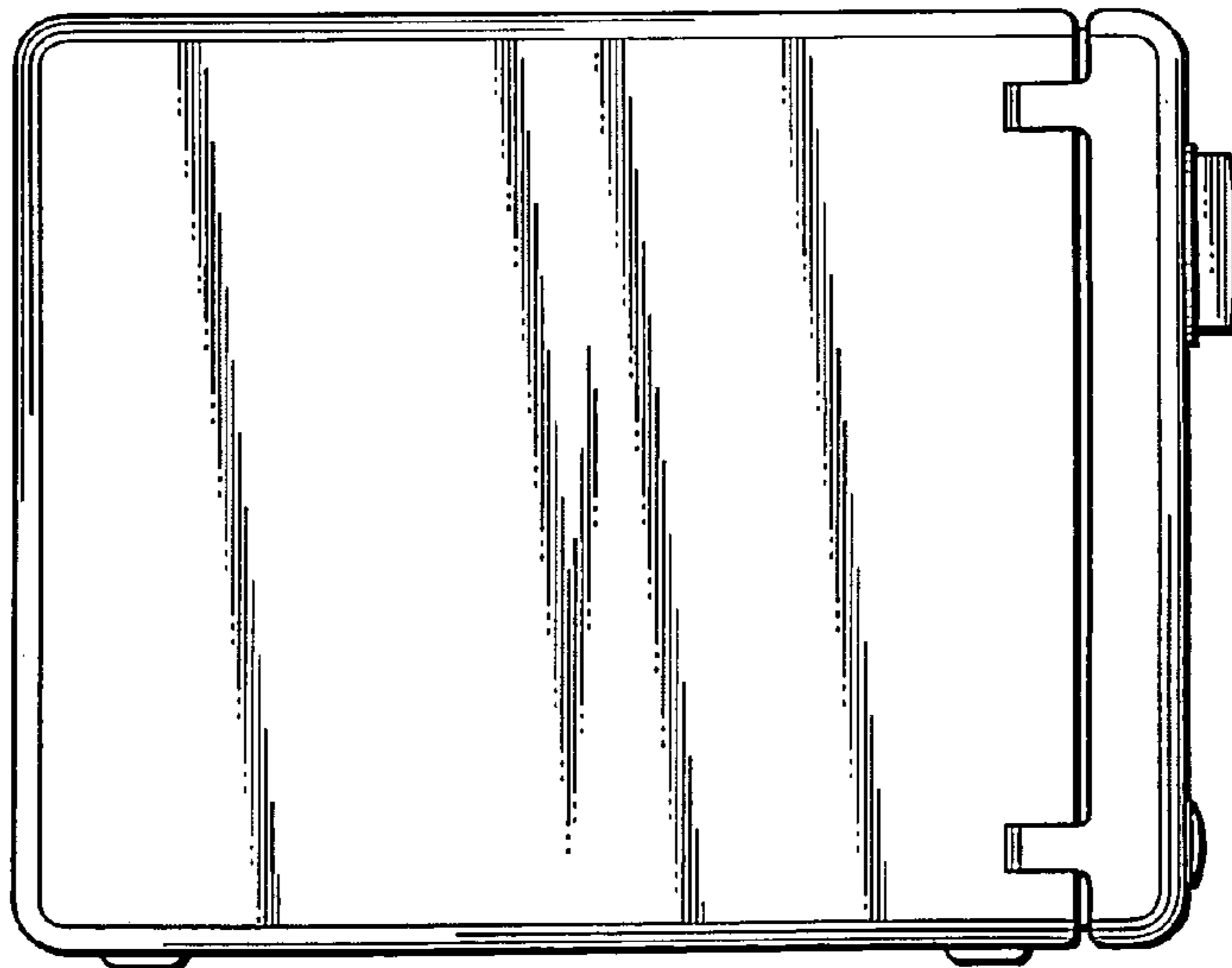
*Fig. 4*



*Fig. 5*



*Fig. 6*



*Fig. 7*