



US00D717579S

(12) **United States Design Patent**  
**Gregory et al.**

(10) **Patent No.:** **US D717,579 S**  
(45) **Date of Patent:** **\*\* Nov. 18, 2014**

- (54) **DIGITAL COUNTERTOP OVEN**
- (71) Applicant: **Whirlpool Corporation**, Benton Harbor, MI (US)
- (72) Inventors: **Christopher A. Gregory**, Saint Joseph, MI (US); **Leif A. Norland**, Saint Joseph, MI (US)
- (73) Assignee: **Whirlpool Corporation**, Benton Harbor, MI (US)
- (\*\*) Term: **14 Years**
- (21) Appl. No.: **29/447,356**
- (22) Filed: **Mar. 1, 2013**
- (51) **LOC (10) Cl.** ..... **07-02**
- (52) **U.S. Cl.**  
USPC ..... **D7/350.4**
- (58) **Field of Classification Search**  
USPC ..... D7/350.1, 350.3, 350.4, 402, 405, 406;  
219/756-758; 126/19 M, 21 A, 275 E  
See application file for complete search history.

D568,675 S *	5/2008	Kawata	.....	D7/350.1
D587,959 S *	3/2009	Hensel	.....	D7/350.1
D602,306 S *	10/2009	Lavy	.....	D7/350.1
D625,557 S *	10/2010	Pino et al.	.....	D7/405
D638,249 S *	5/2011	Ryan et al.	.....	D7/350.1
D655,970 S *	3/2012	De' Longhi	.....	D7/351
D658,439 S *	5/2012	Curtis et al.	.....	D7/405
D663,156 S *	7/2012	Curtis et al.	.....	D7/350.1
D670,529 S *	11/2012	Hensel	.....	D7/350.1
D673,000 S *	12/2012	De' Longhi	.....	D7/350.1
D678,711 S *	3/2013	Reiner	.....	D7/350.1

\* cited by examiner

*Primary Examiner* — Ruth McInroy

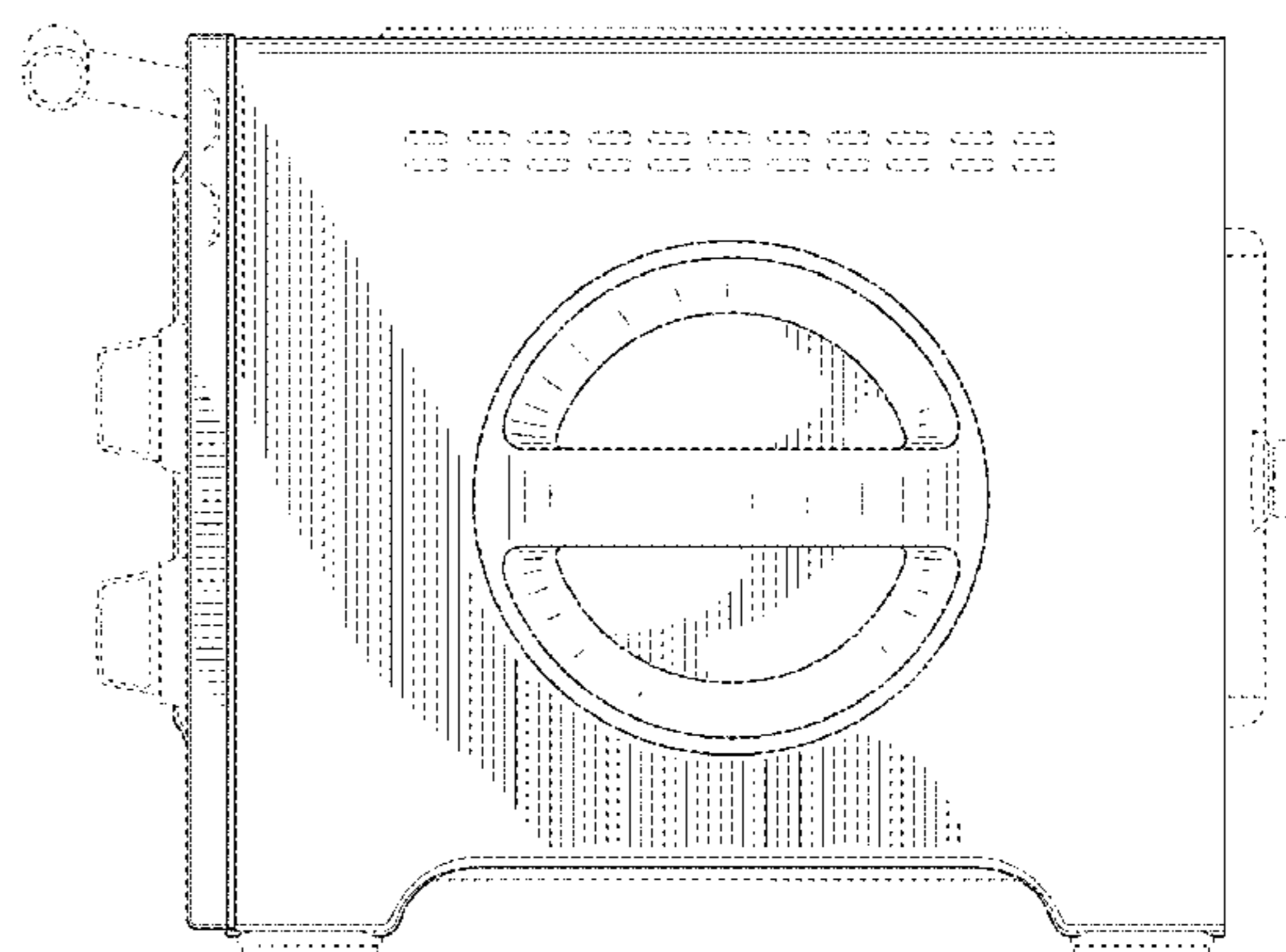
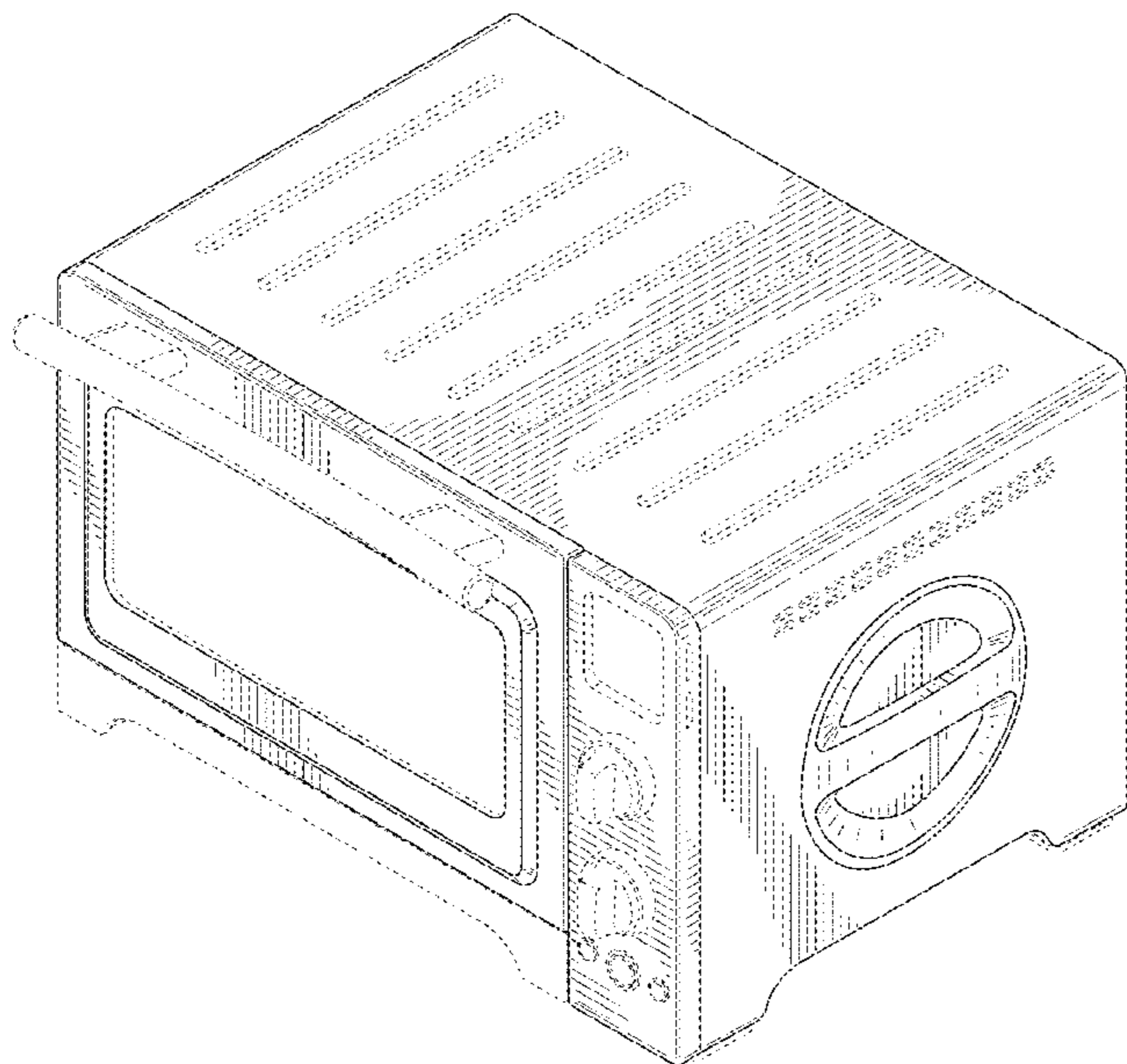
(57) **CLAIM**  
We claim the ornamental design for a digital countertop oven, as shown and described.

**DESCRIPTION**

FIG. 1 is a top perspective view of a digital countertop oven showing our new design;  
FIG. 2 is a front elevational view thereof;  
FIG. 3 is a rear elevational view thereof;  
FIG. 4 is a top plan view thereof;  
FIG. 5 is a bottom plan view thereof;  
FIG. 6 is a right side elevational view thereof; and,  
FIG. 7 is a left side elevational view thereof.

**1 Claim, 7 Drawing Sheets**

- (56) **References Cited**  
U.S. PATENT DOCUMENTS  
D481,582 S \* 11/2003 Seum et al. .... D7/350.1  
D521,799 S \* 5/2006 Ledingham et al. .... D7/350.1



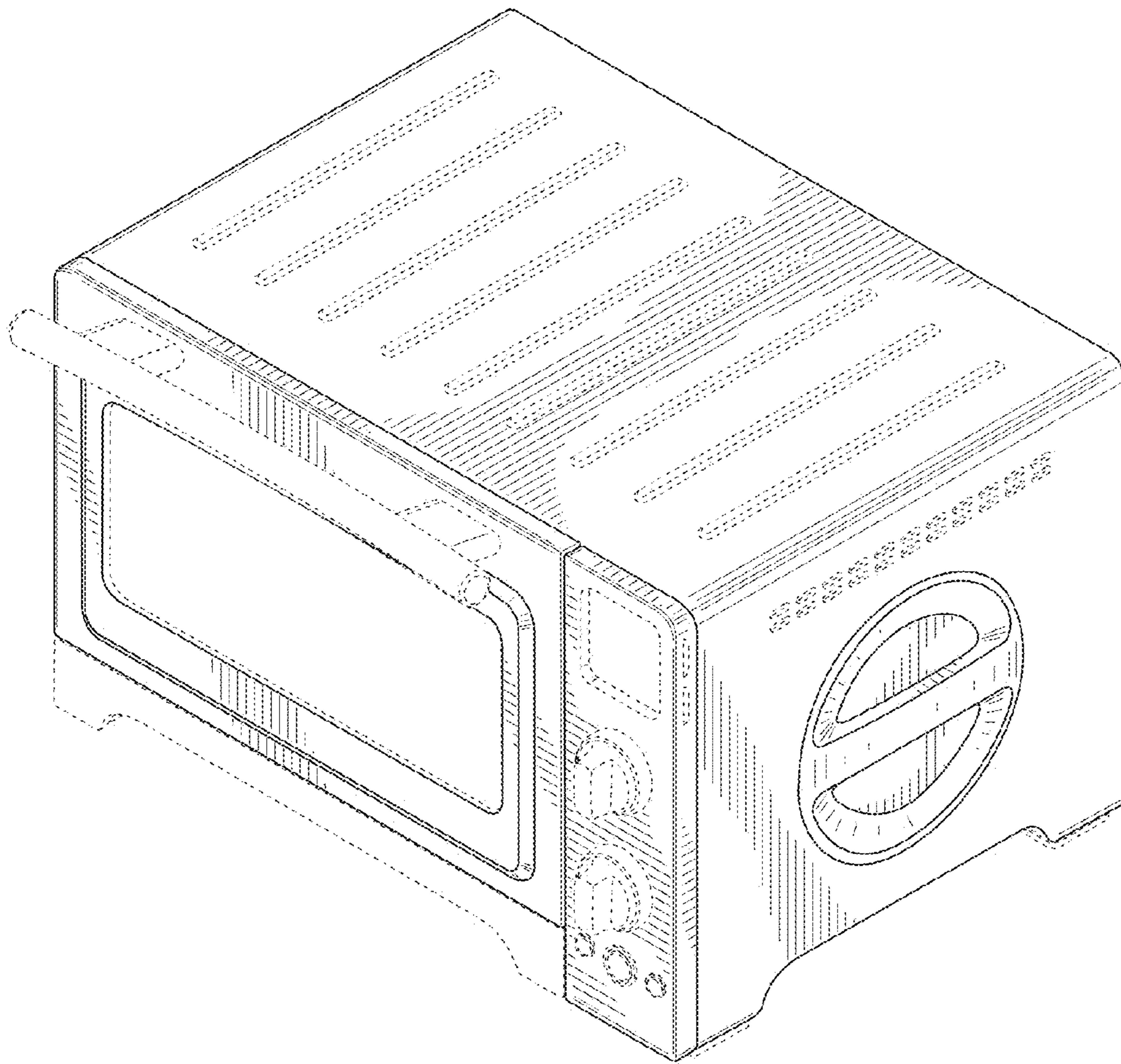


FIG. 1

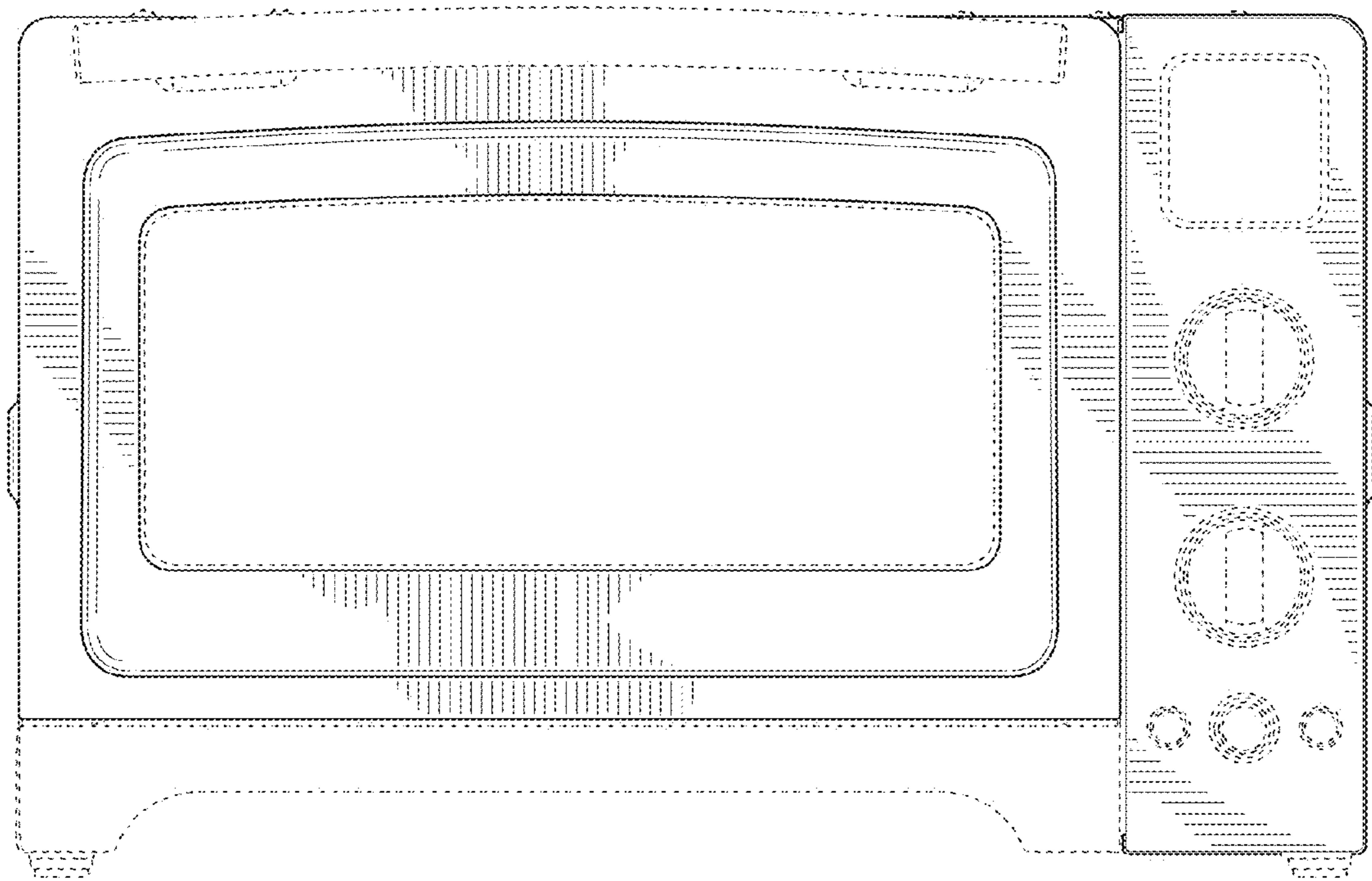


FIG. 2

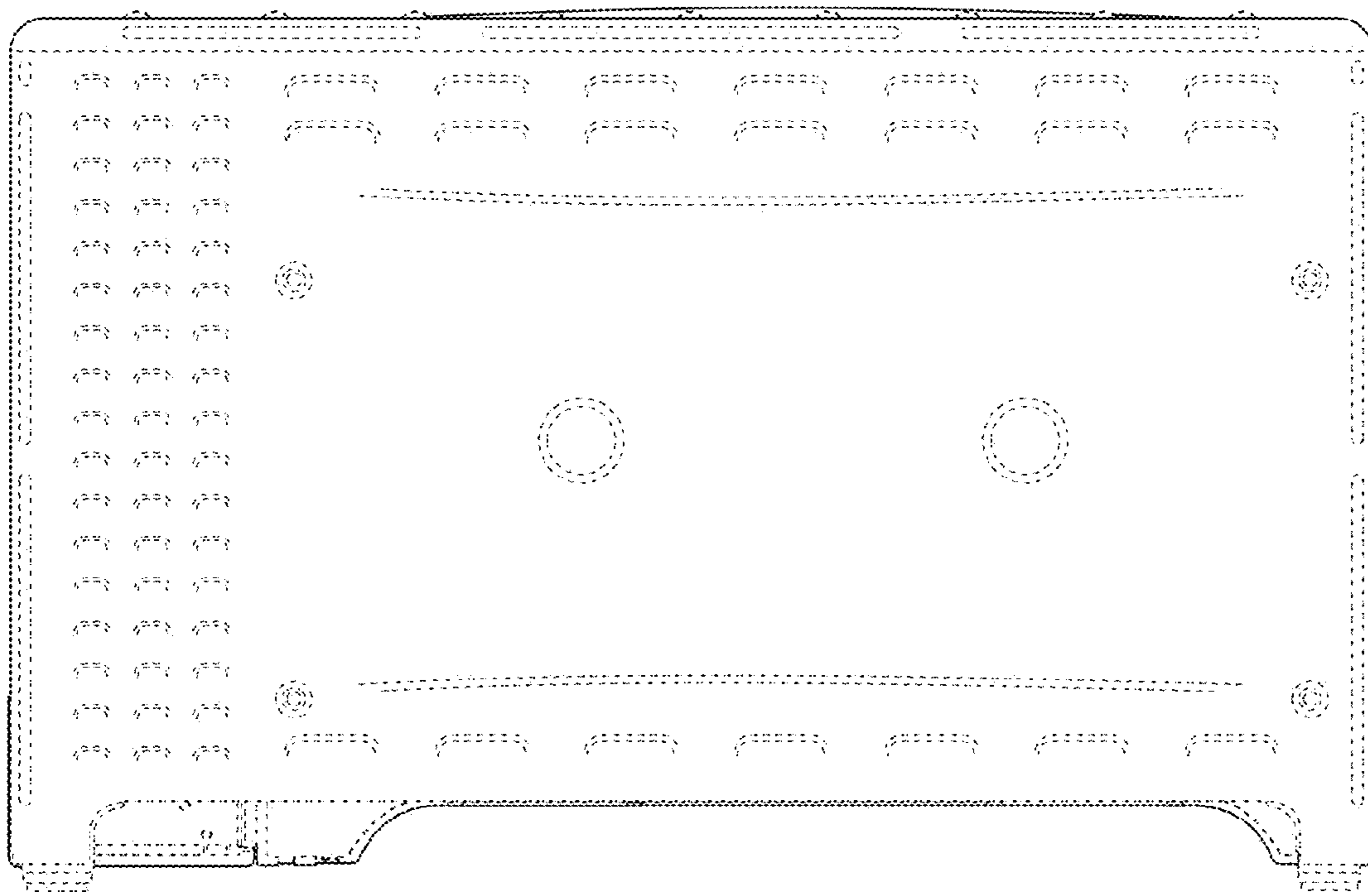


FIG. 3



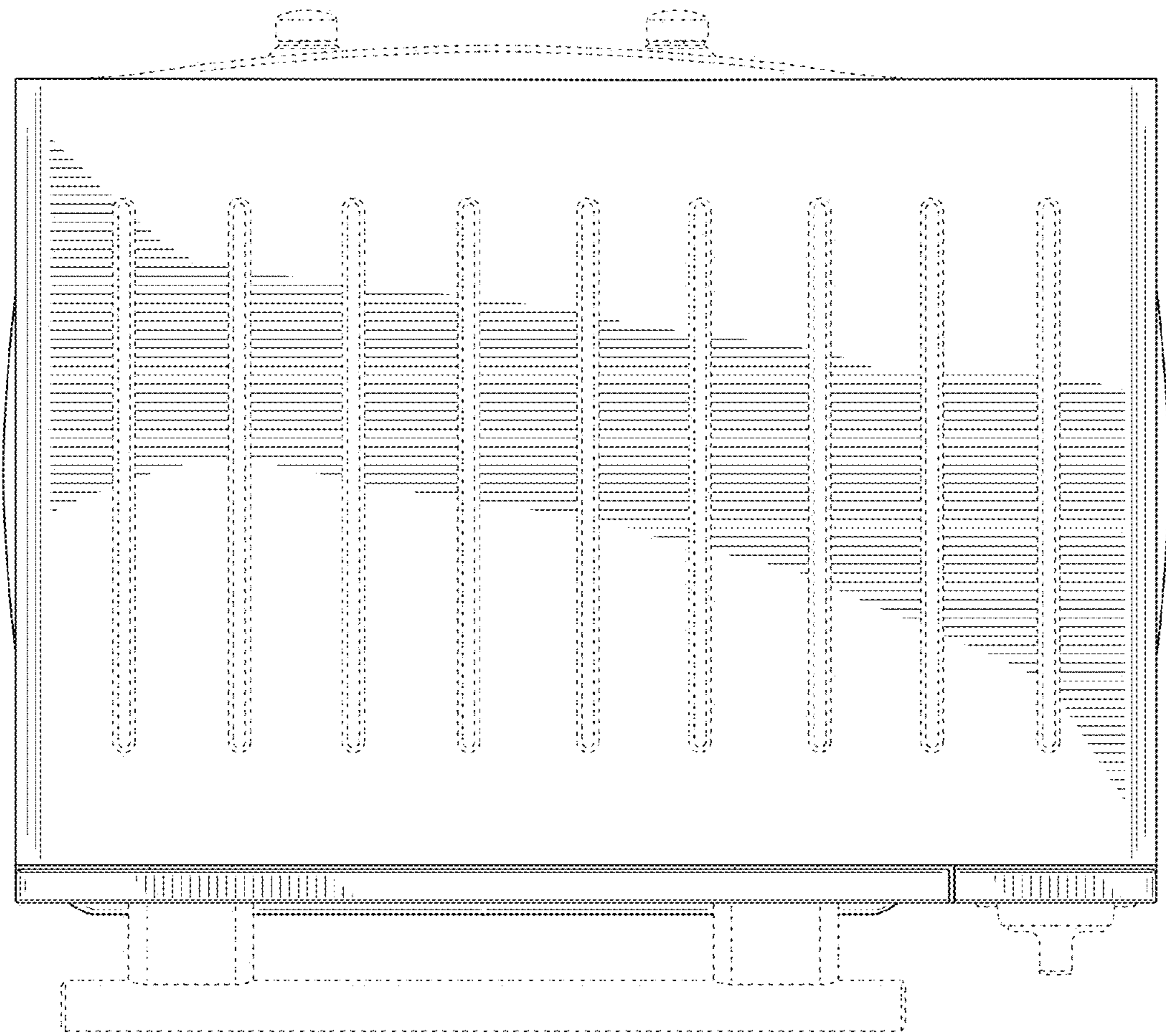


FIG. 4

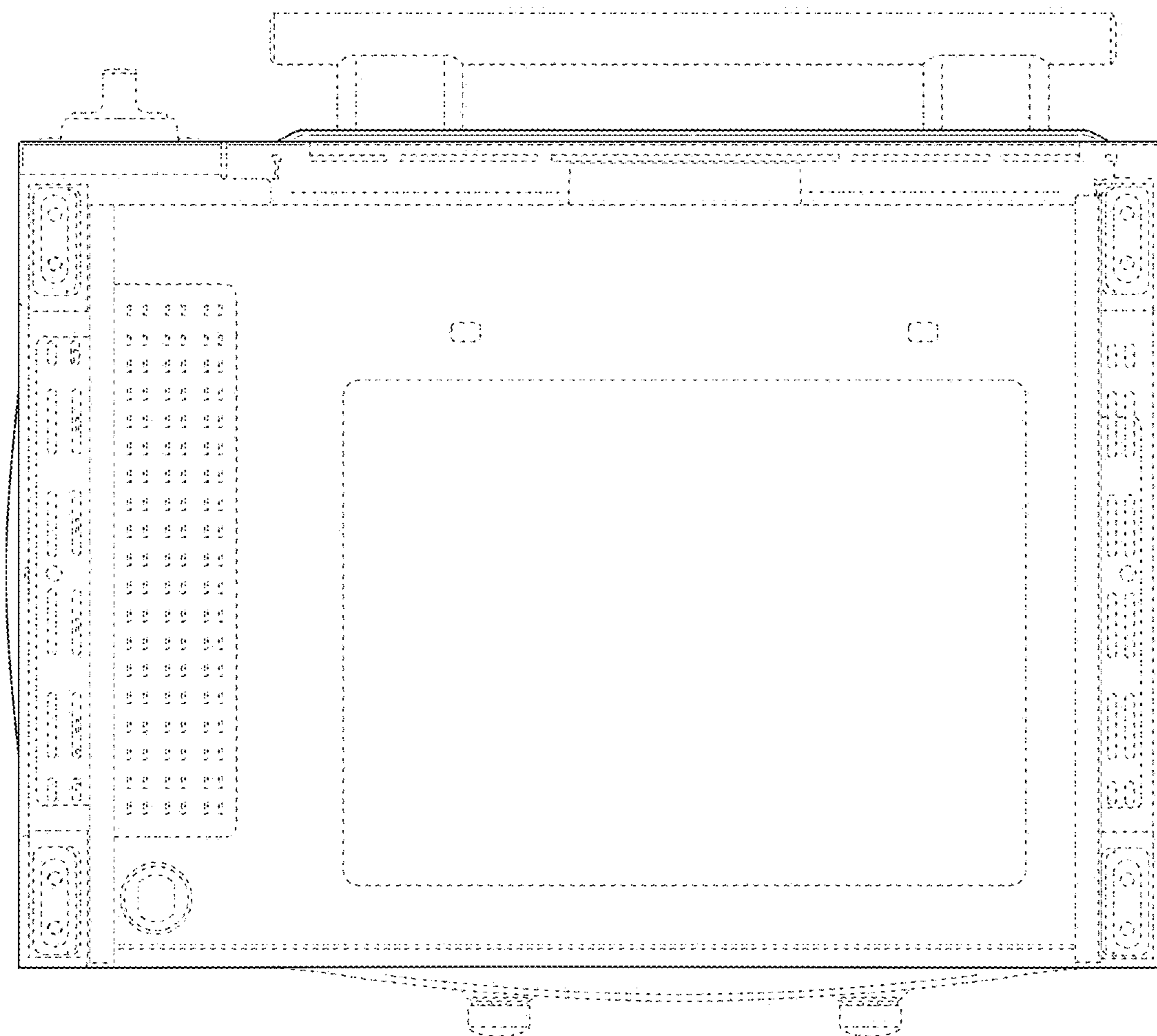


FIG. 5

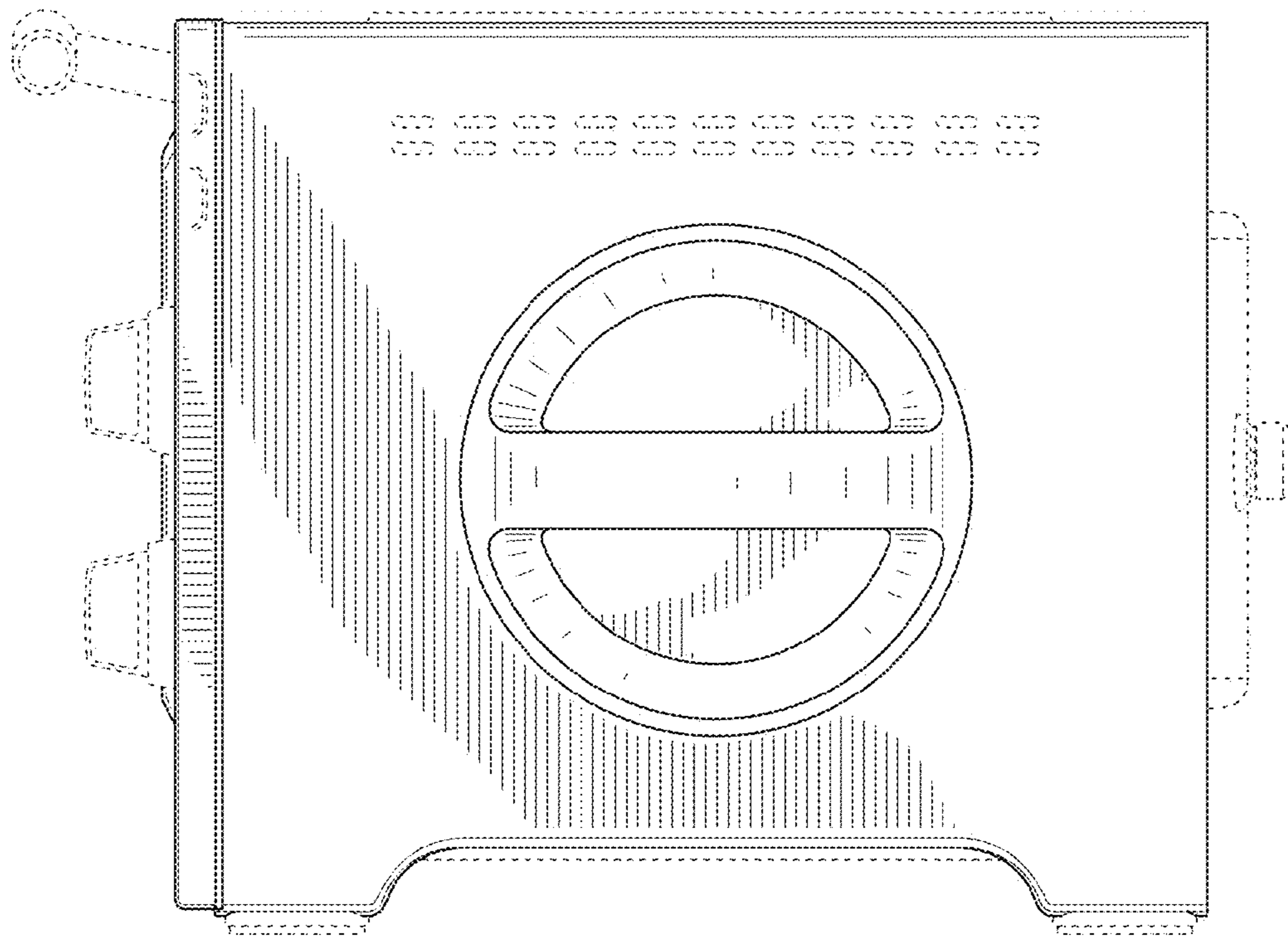


FIG. 6

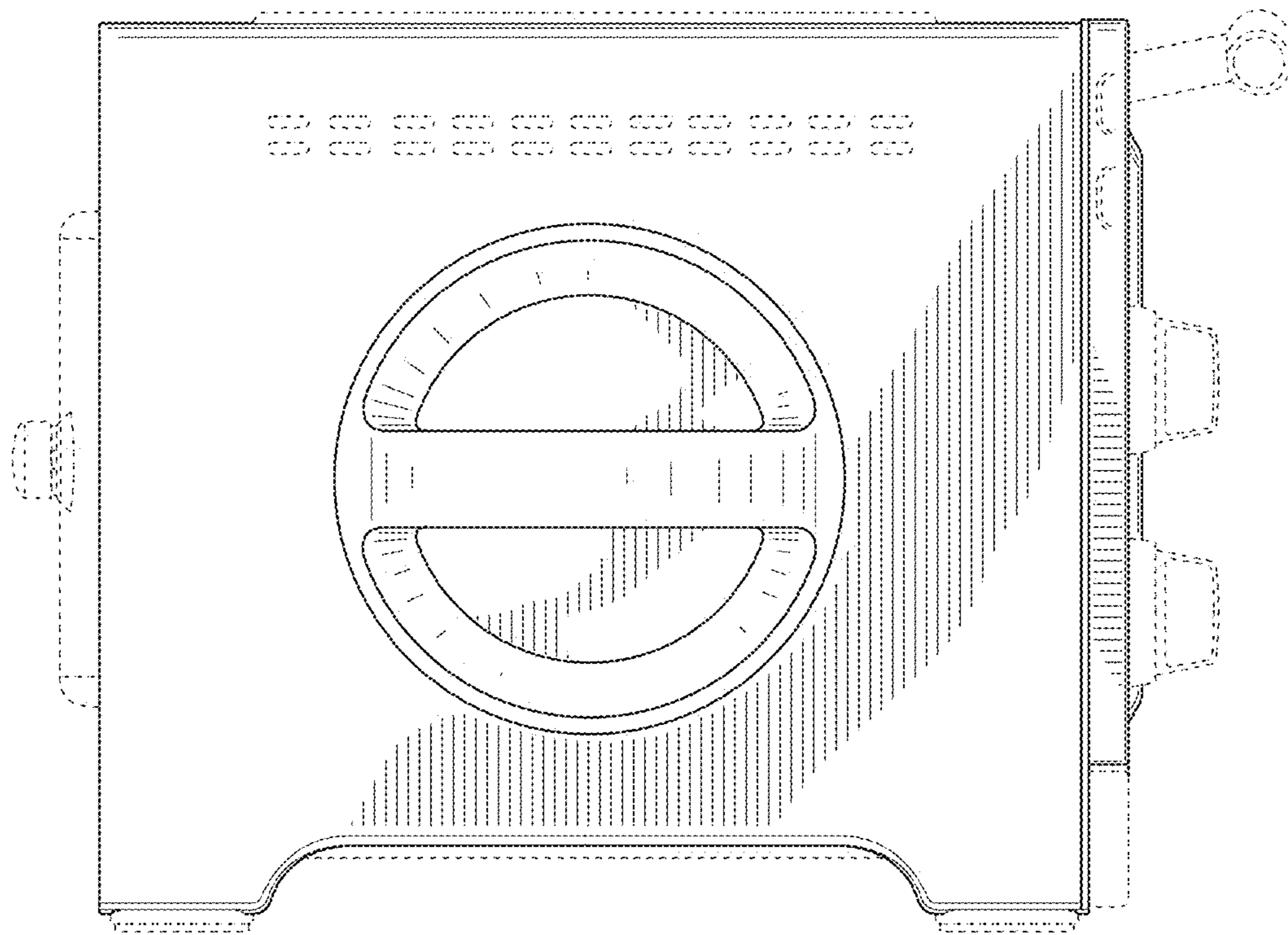


FIG. 7