



US00D717578S

(12) **United States Design Patent**
Lazaris et al.

(10) **Patent No.:** **US D717,578 S**
(45) **Date of Patent:** **** Nov. 18, 2014**

- (54) **BEVERAGE EXTRACTOR**
- (71) Applicant: **Coravin, LLC**, Burlington, MA (US)
- (72) Inventors: **Nicholas G. Lazaris**, Newton, MA (US);
Adam Brierley Craft, Mansfield, MA (US);
Mike Rider, Lowell, MA (US);
Otto Deruntz, Dunstable, MA (US)
- (73) Assignee: **Coravin, Inc.**, Burlington, MA (US)
- (**) Term: **14 Years**
- (21) Appl. No.: **29/448,212**
- (22) Filed: **Mar. 11, 2013**

4,791,834	A *	12/1988	Federighi	81/3.2
5,012,703	A *	5/1991	Reinbacher	81/3.29
5,020,395	A *	6/1991	Mackey	81/3.2
D463,236	S *	9/2002	Mauffette	D8/42
6,477,920	B1 *	11/2002	Yang	81/3.2
D466,772	S *	12/2002	Mauffette	D8/42
6,502,481	B1 *	1/2003	Lin	81/3.2
D471,778	S *	3/2003	Federighi	D8/42
D477,757	S *	7/2003	Yu	D8/42
2003/0033907	A1 *	2/2003	Lian	81/3.2
2004/0226409	A1 *	11/2004	Lin	81/3.2

* cited by examiner

Primary Examiner — Elizabeth Albert

(74) *Attorney, Agent, or Firm* — Wolf, Greenfield & Sacks, P.C.

Related U.S. Application Data

- (63) Continuation-in-part of application No. 29/422,640, filed on May 22, 2012, now Pat. No. Des. 689,353.
- (51) **LOC (10) Cl.** **07-04**
- (52) **U.S. Cl.**
USPC **D7/300; D8/42**
- (58) **Field of Classification Search**
USPC D8/14, 16–19, 33–43, 88, 89, 105;
7/113, 151–156; 81/3.07, 3.09, 3.2,
81/3.27, 3.29, 3.31, 3.35, 3.37, 3.4, 3.45,
81/3.48, 3.49, 3.55
See application file for complete search history.

(56) **References Cited**

U.S. PATENT DOCUMENTS

D268,245	S *	3/1983	Makino et al.	D8/42
D276,788	S *	12/1984	Ravreby	D8/42

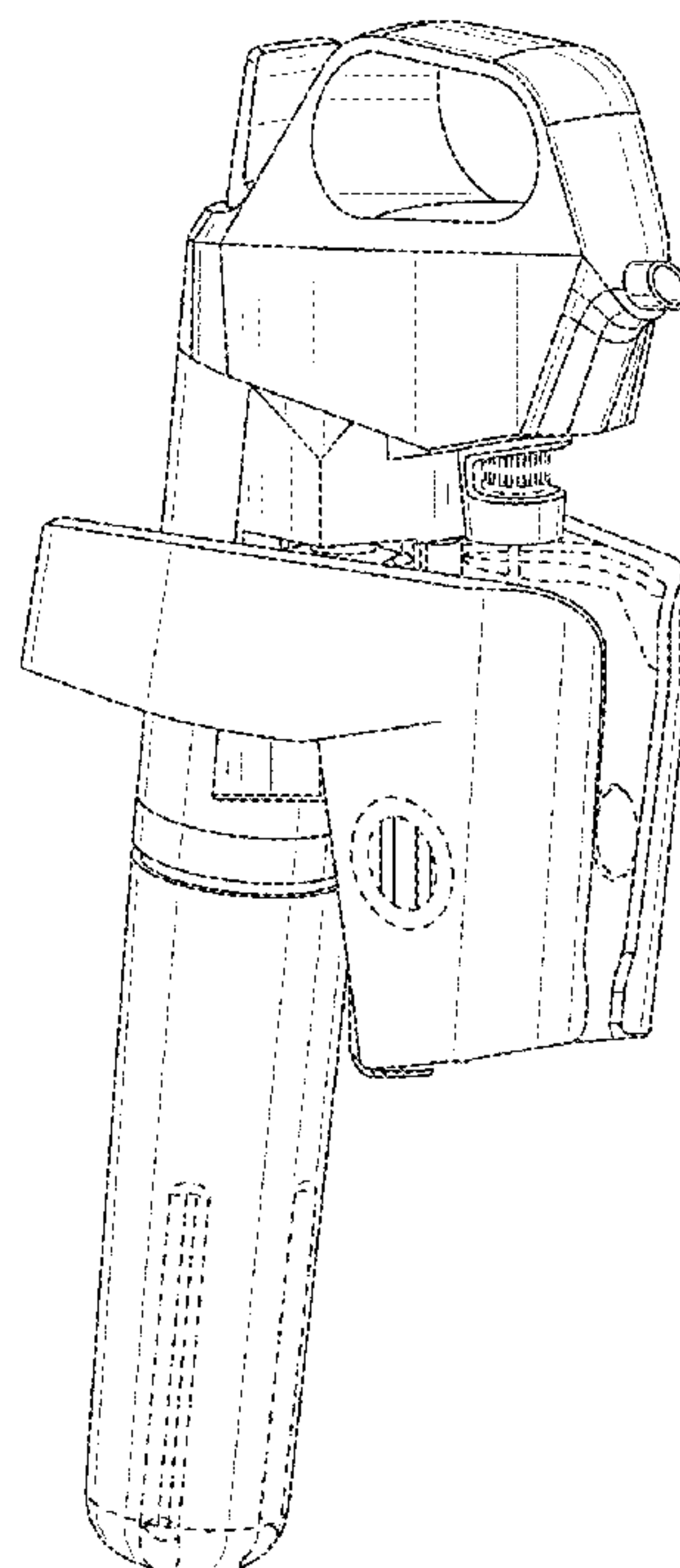
(57) **CLAIM**

The ornamental design for a beverage extractor, as shown and described.

DESCRIPTION

FIG. 1 is a left side view of the beverage extractor;
 FIG. 2 is a front view thereof;
 FIG. 3 is a rear view thereof;
 FIG. 4 is a right side view thereof;
 FIG. 5 is a top view thereof;
 FIG. 6 is a bottom view thereof;
 FIG. 7 is a left front perspective view thereof; and,
 FIG. 8 is a left rear perspective view thereof.
 The features shown in broken lines are included to show portions that form no part of the claimed design.

1 Claim, 7 Drawing Sheets



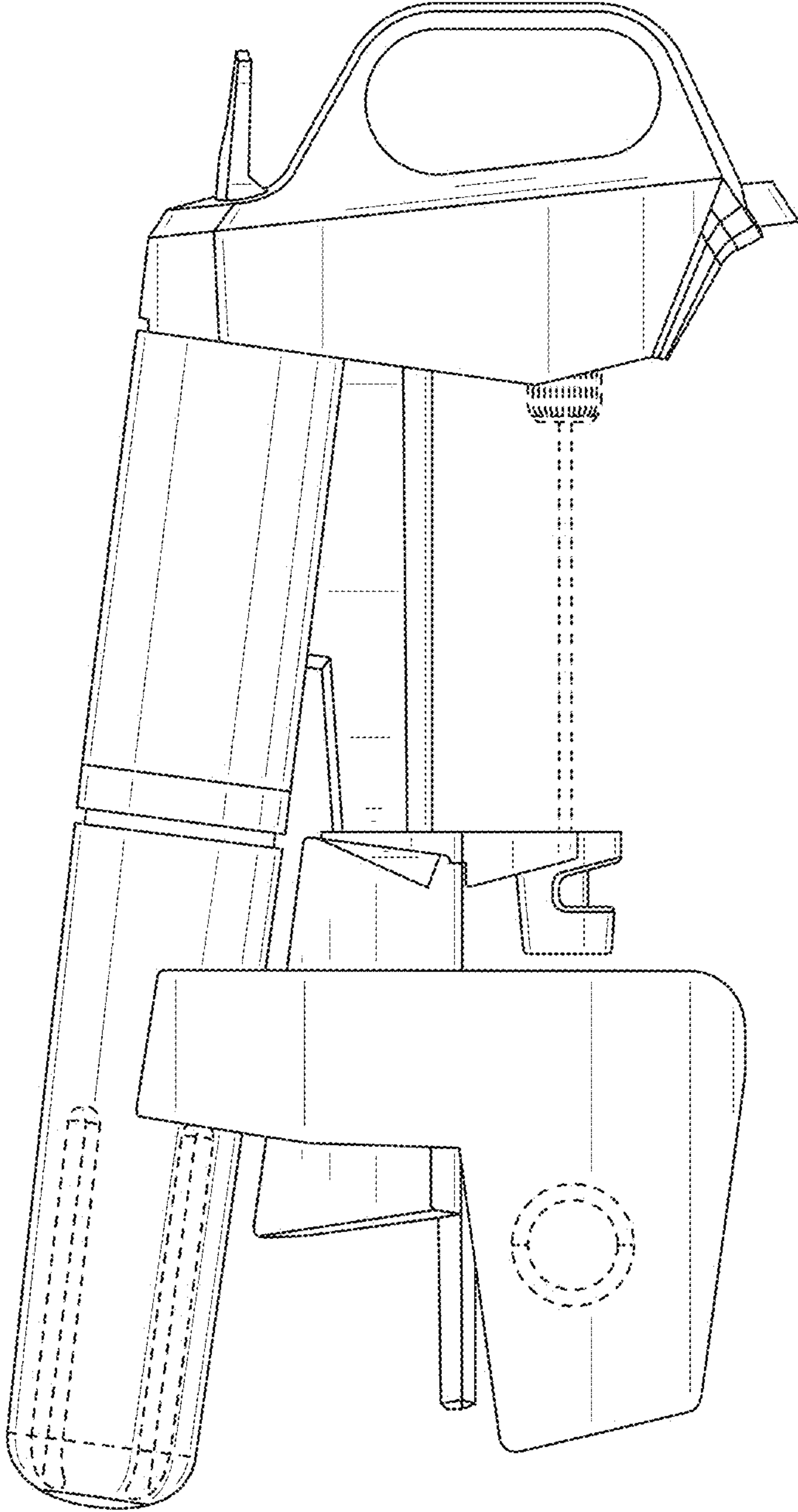


FIG. 1

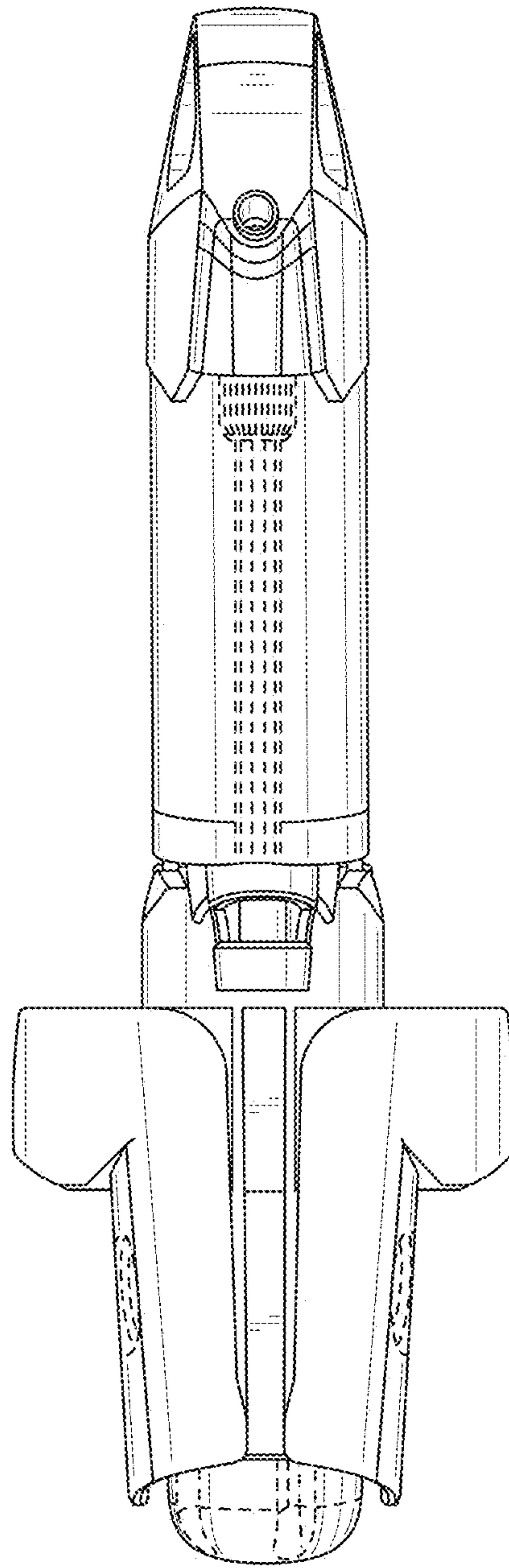


FIG. 2

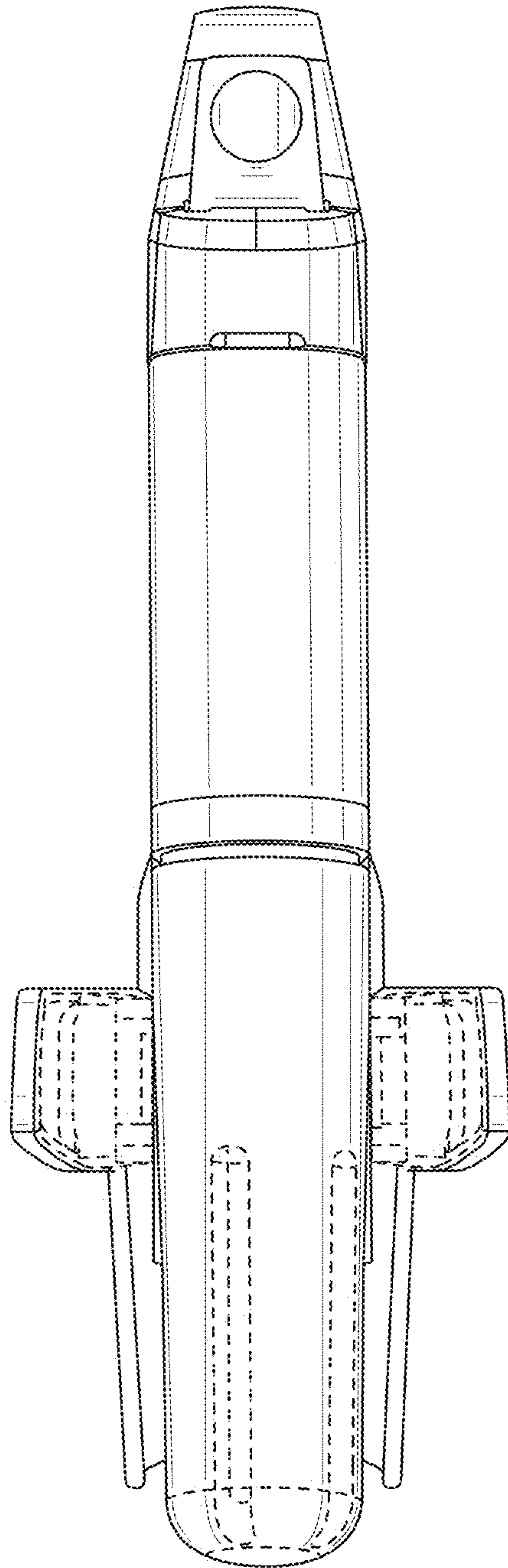


FIG. 3

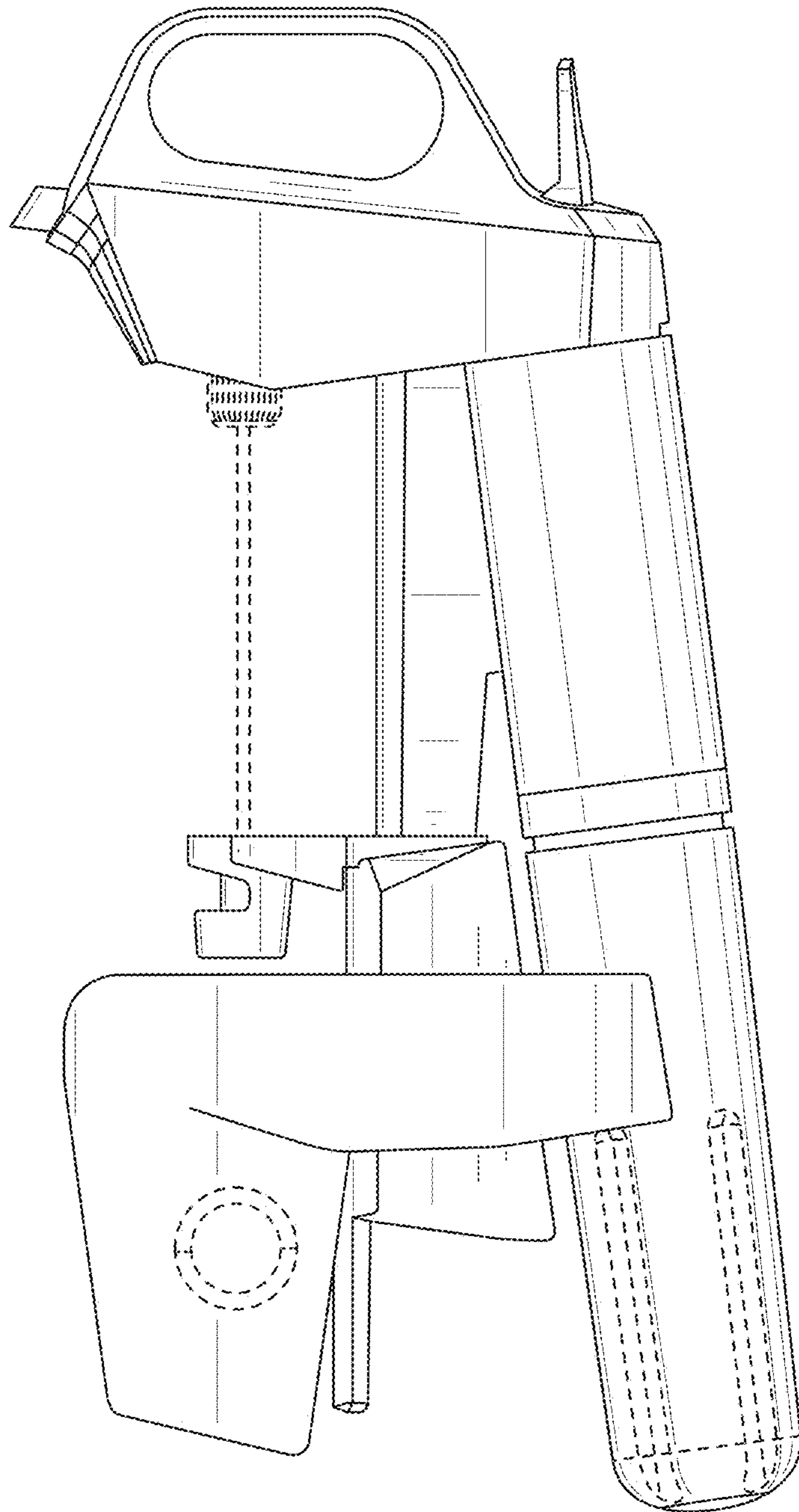


FIG. 4

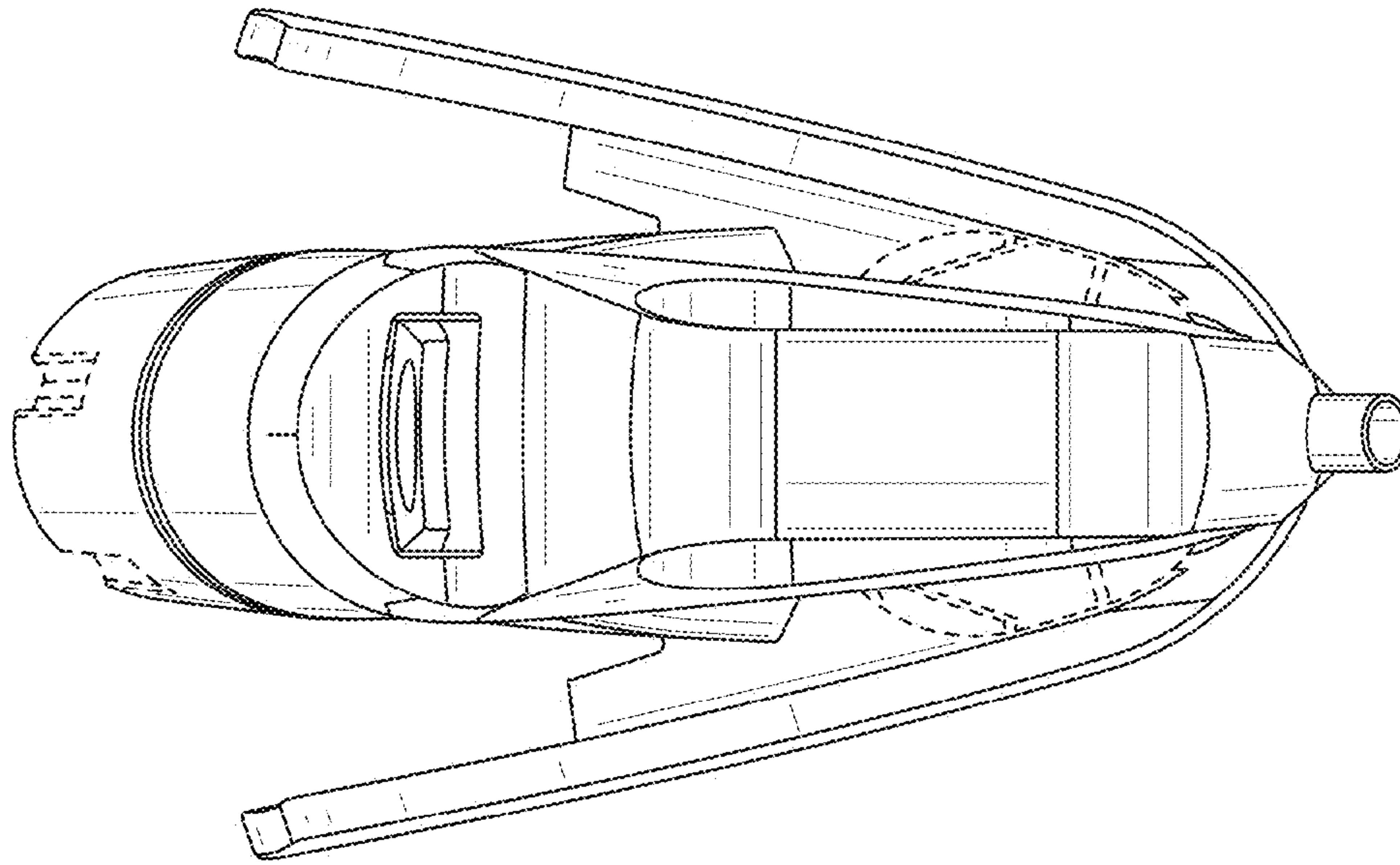


FIG. 5

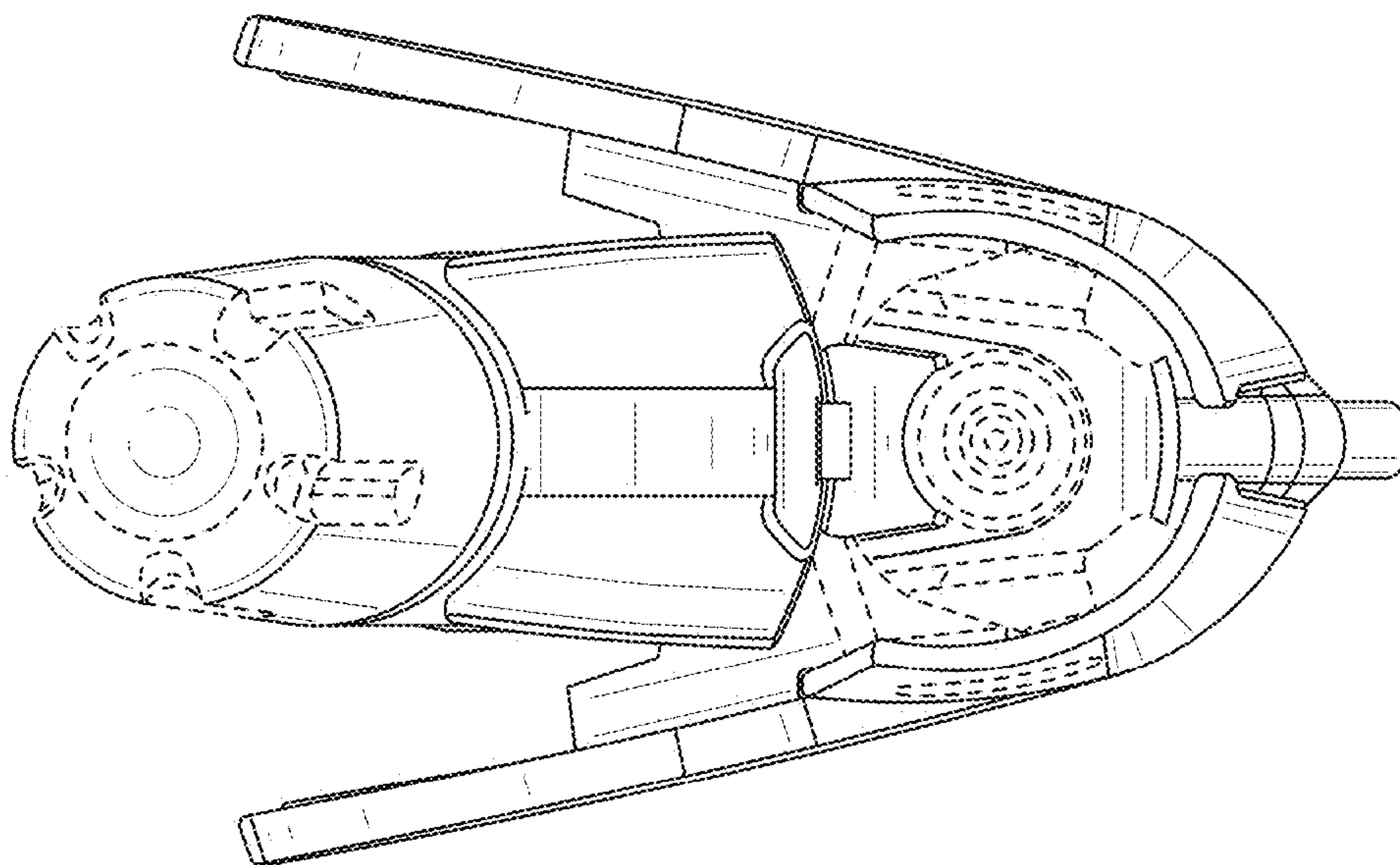


FIG. 6

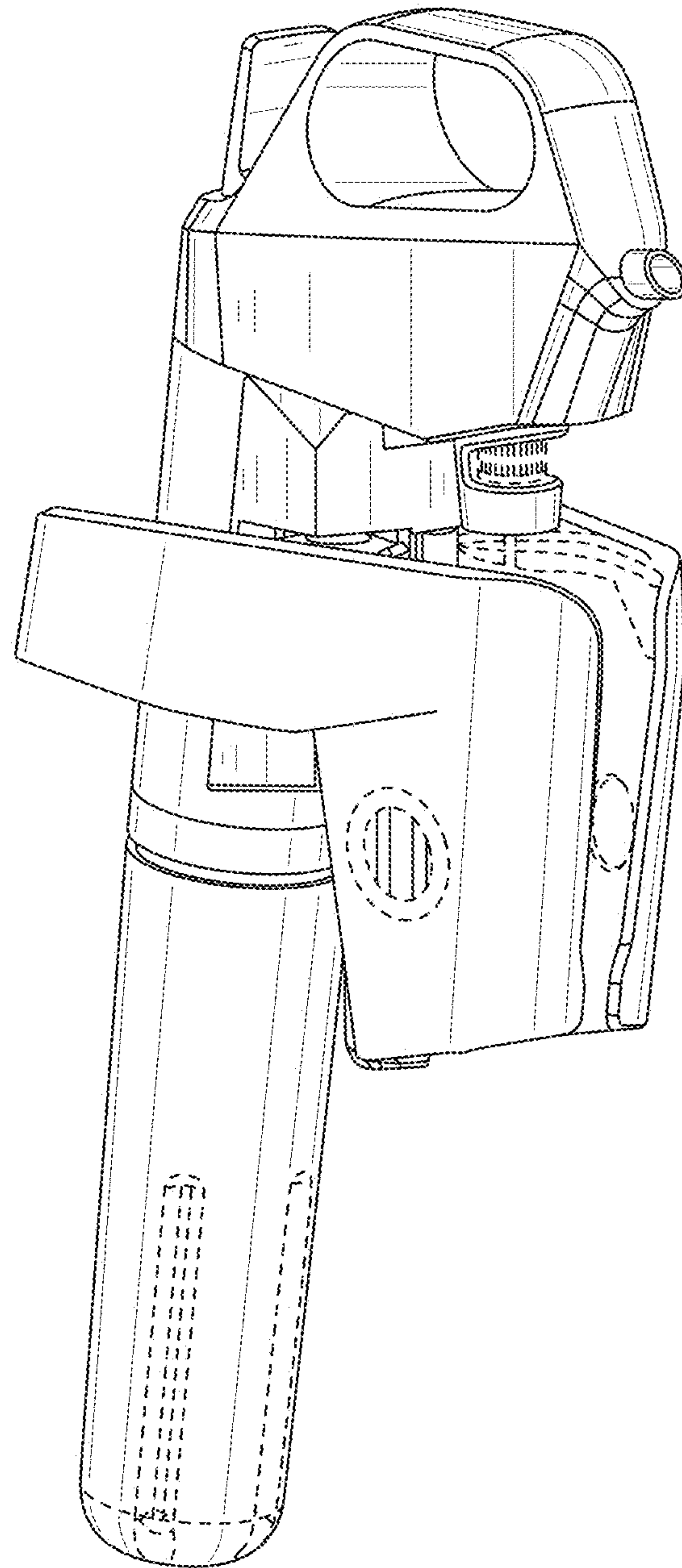


FIG. 7

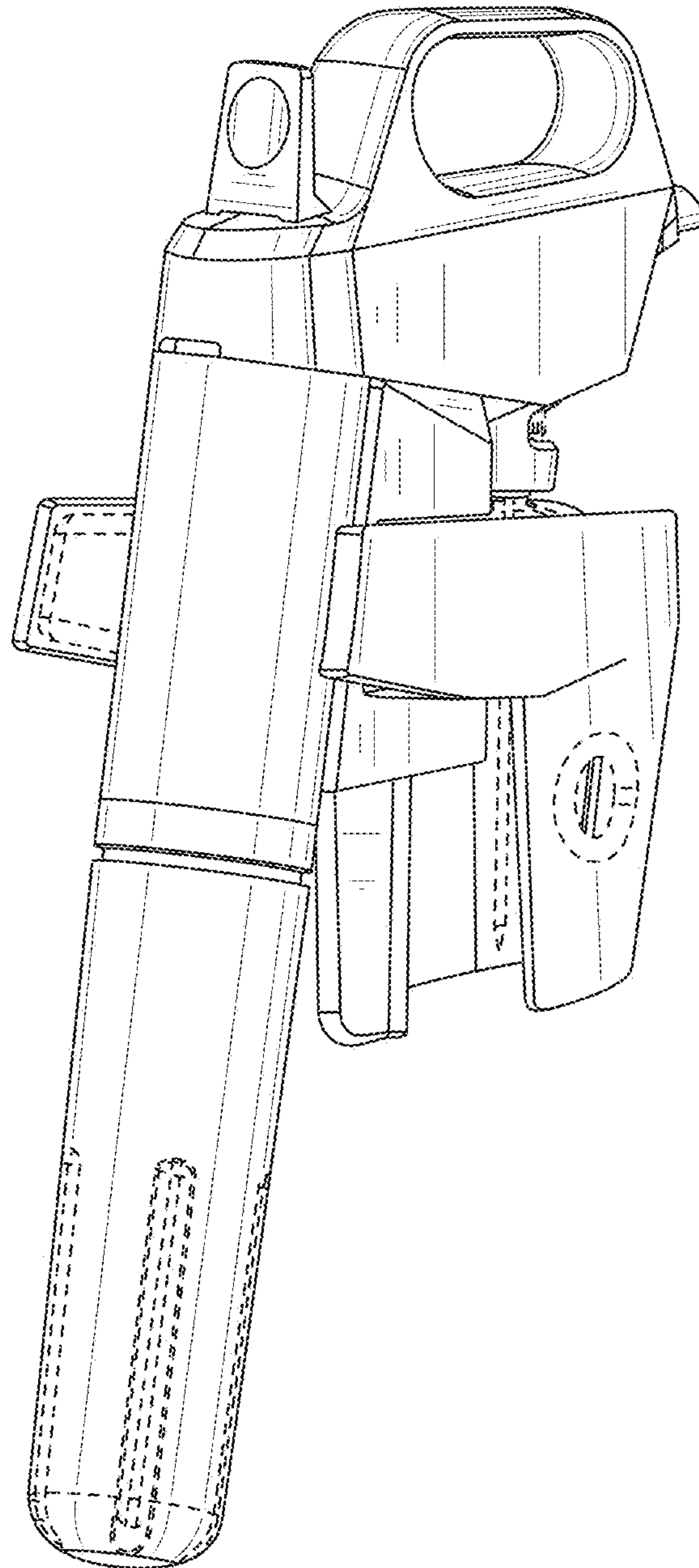


FIG. 8