



US00D717577S

(12) **United States Design Patent**
Pacella et al.

(10) **Patent No.:** **US D717,577 S**
(45) **Date of Patent:** **** Nov. 18, 2014**

(54) **ROCKER**

(71) Applicant: **Wonderland Nurserygoods Company Limited**, Central (HK)

(72) Inventors: **Jonathan M. Pacella**, Coatesville, PA (US); **William Belows**, Wyomissing, PA (US)

(73) Assignee: **Wonderland Nurserygoods Company Limited**, Central (HK)

(**) Term: **14 Years**

(21) Appl. No.: **29/463,343**

(22) Filed: **Oct. 22, 2013**

(51) **LOC (10) Cl.** **06-06**

(52) **U.S. Cl.**
USPC **D6/718; D6/385**

(58) **Field of Classification Search**
USPC D6/331, 333, 385, 390, 391, 718,
D6/708.16, 709.22; 5/93.1, 98.1, 98.2,
5/99.1, 101, 105, 655

See application file for complete search history.

(56) **References Cited**

U.S. PATENT DOCUMENTS

D343,958	S	*	2/1994	Greenwood	D6/333
D383,913	S	*	9/1997	Ahlstrom	D6/348
D429,585	S	*	8/2000	Huang	D6/503
D677,910	S	*	3/2013	Shaw	D6/333
2010/0109398	A1	*	5/2010	Moulin et al.	5/655
2013/0318709	A1	*	12/2013	Bellows et al.	5/101

* cited by examiner

Primary Examiner — Janice Seeger

(74) *Attorney, Agent, or Firm* — Bacon & Thomas, PLLC

(57) **CLAIM**

The ornamental design for a rocker, as shown and described.

DESCRIPTION

FIG. 1 is a perspective view of a rocker in accordance with our new design;

FIG. 2 is a front view of FIG. 1;

FIG. 3 is a rear view of FIG. 1;

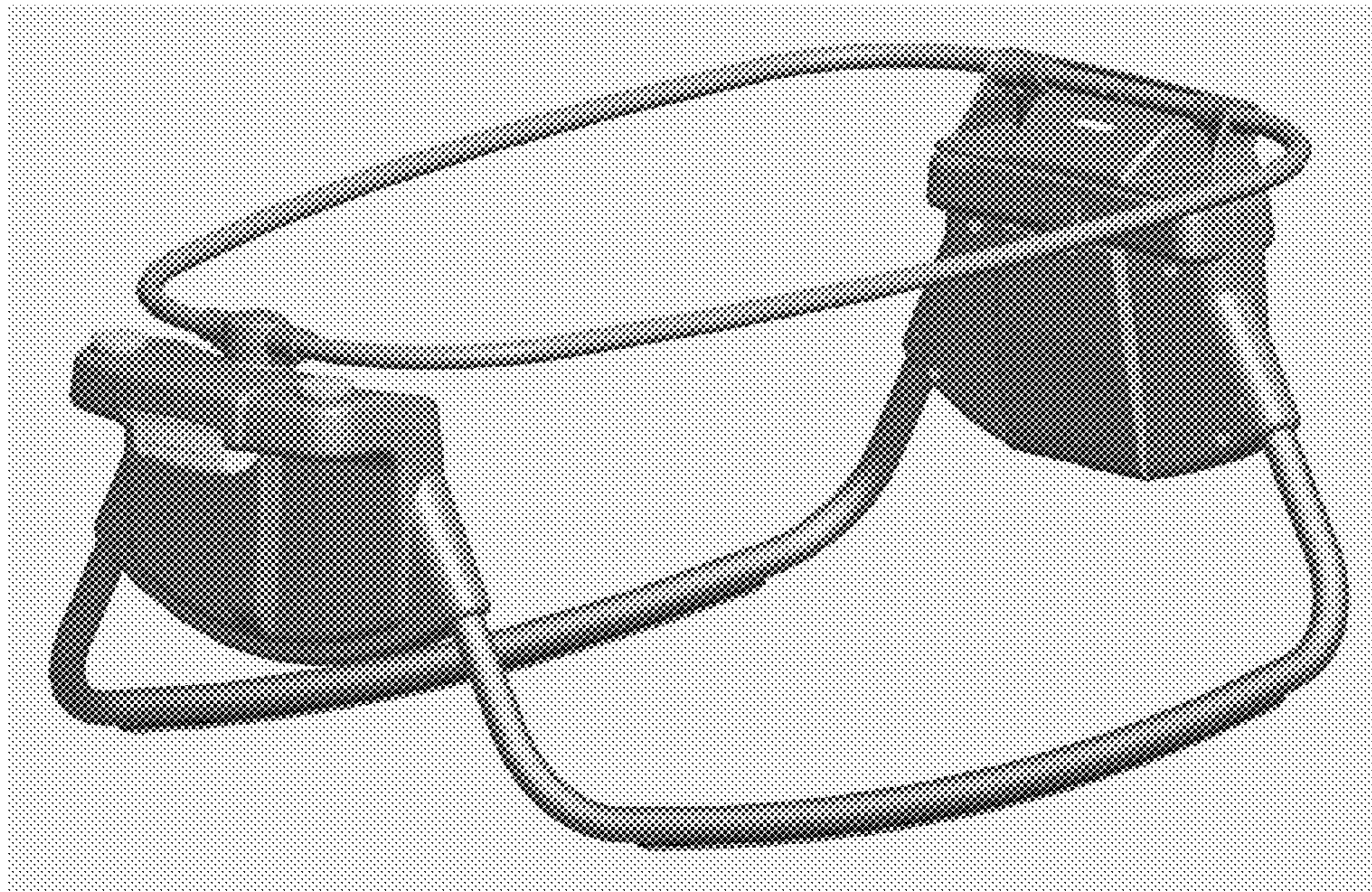
FIG. 4 is a top view of FIG. 1;

FIG. 5 is a bottom view of FIG. 1;

FIG. 6 is a left side view of FIG. 1; and,

FIG. 7 is a right side view of FIG. 1.

1 Claim, 5 Drawing Sheets



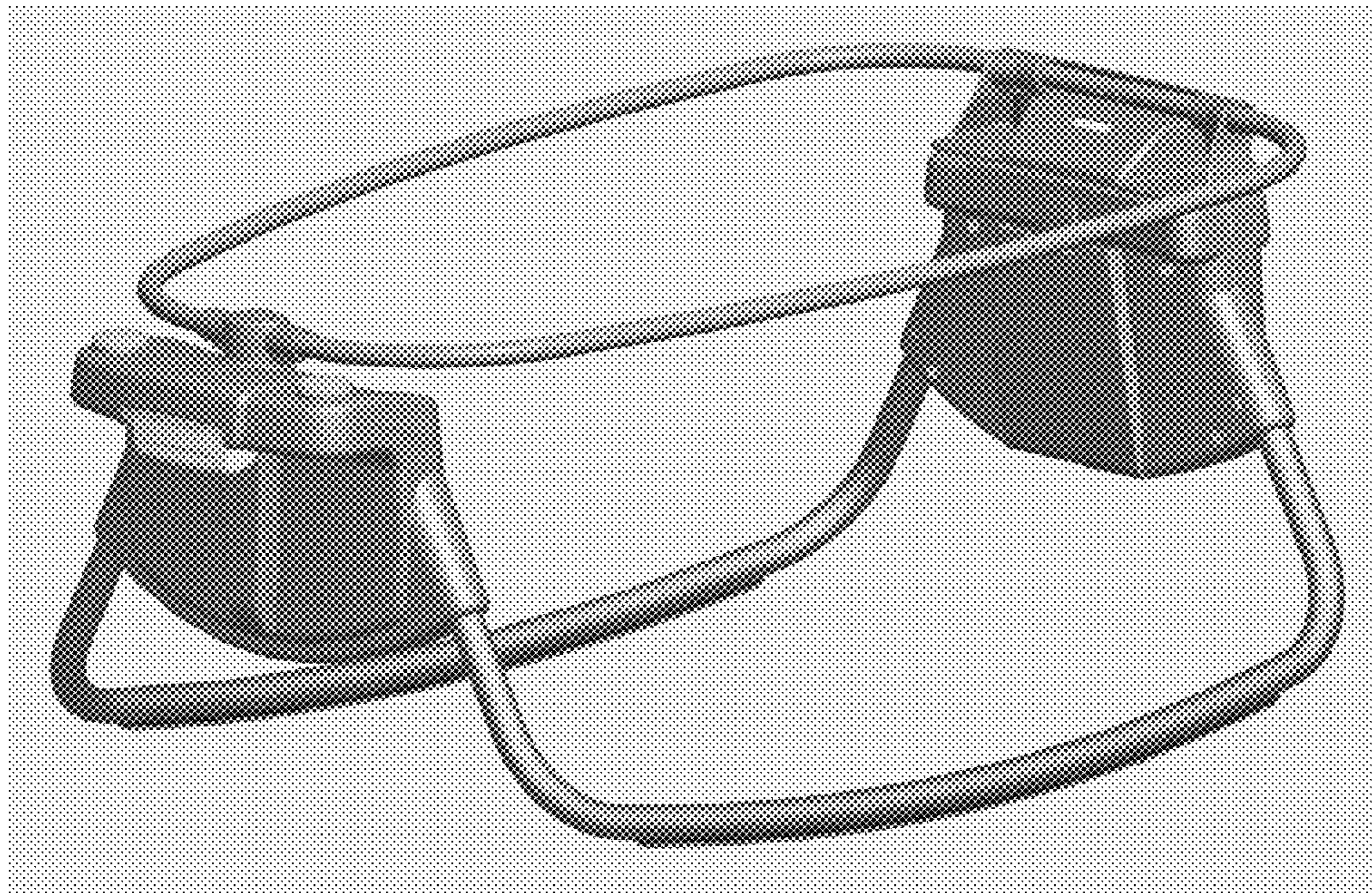


FIG. 1



FIG. 2

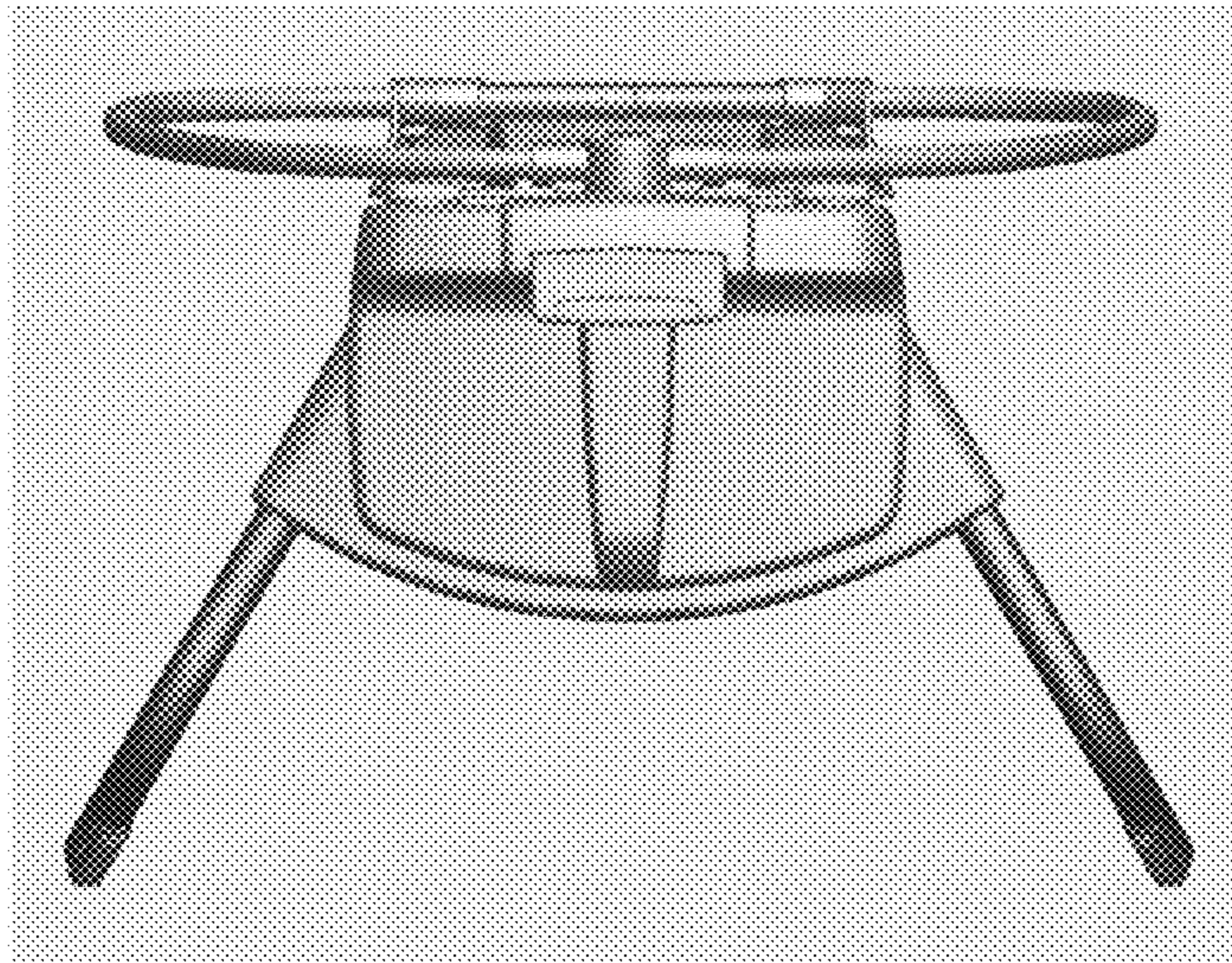


FIG. 3

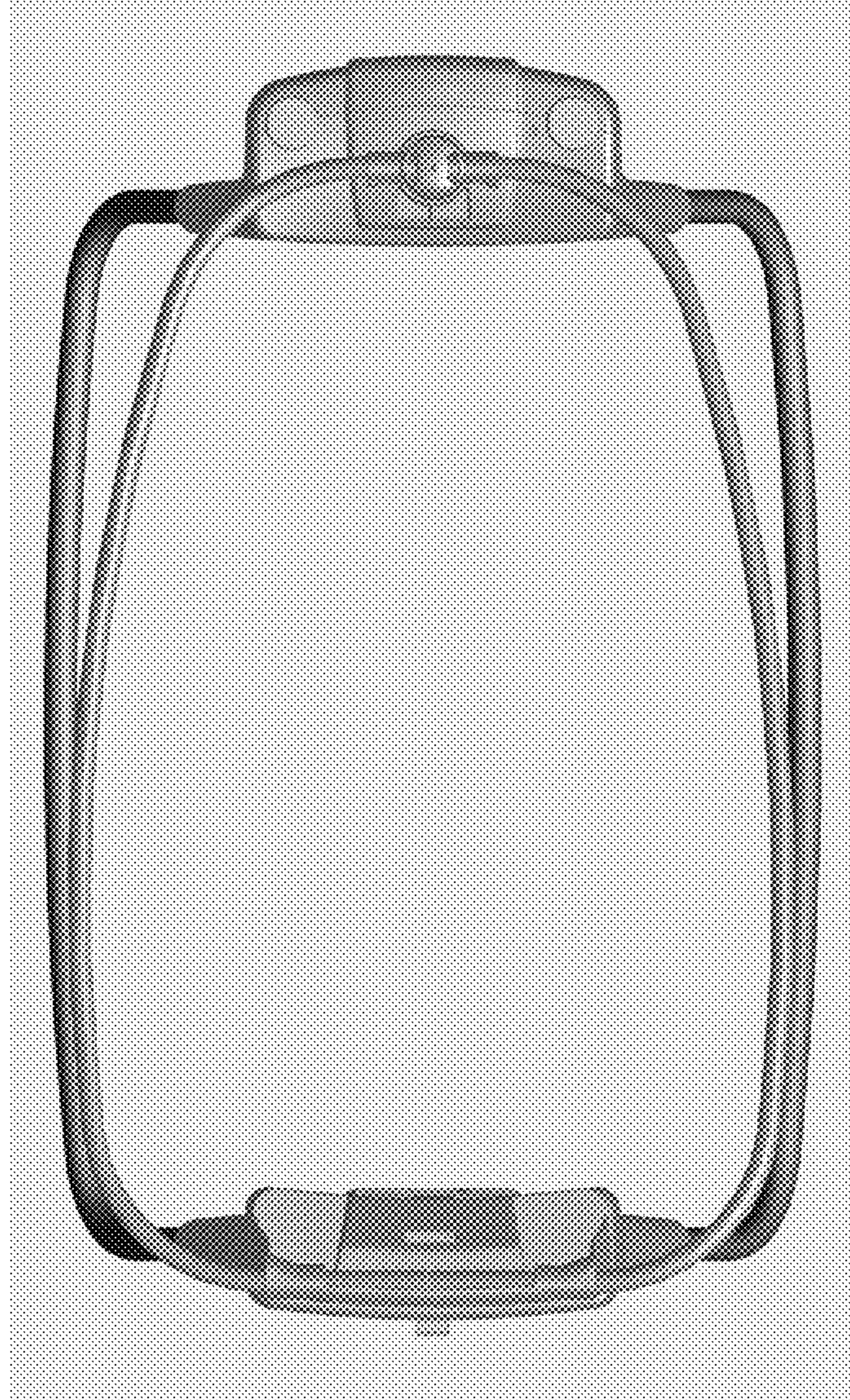


FIG. 4

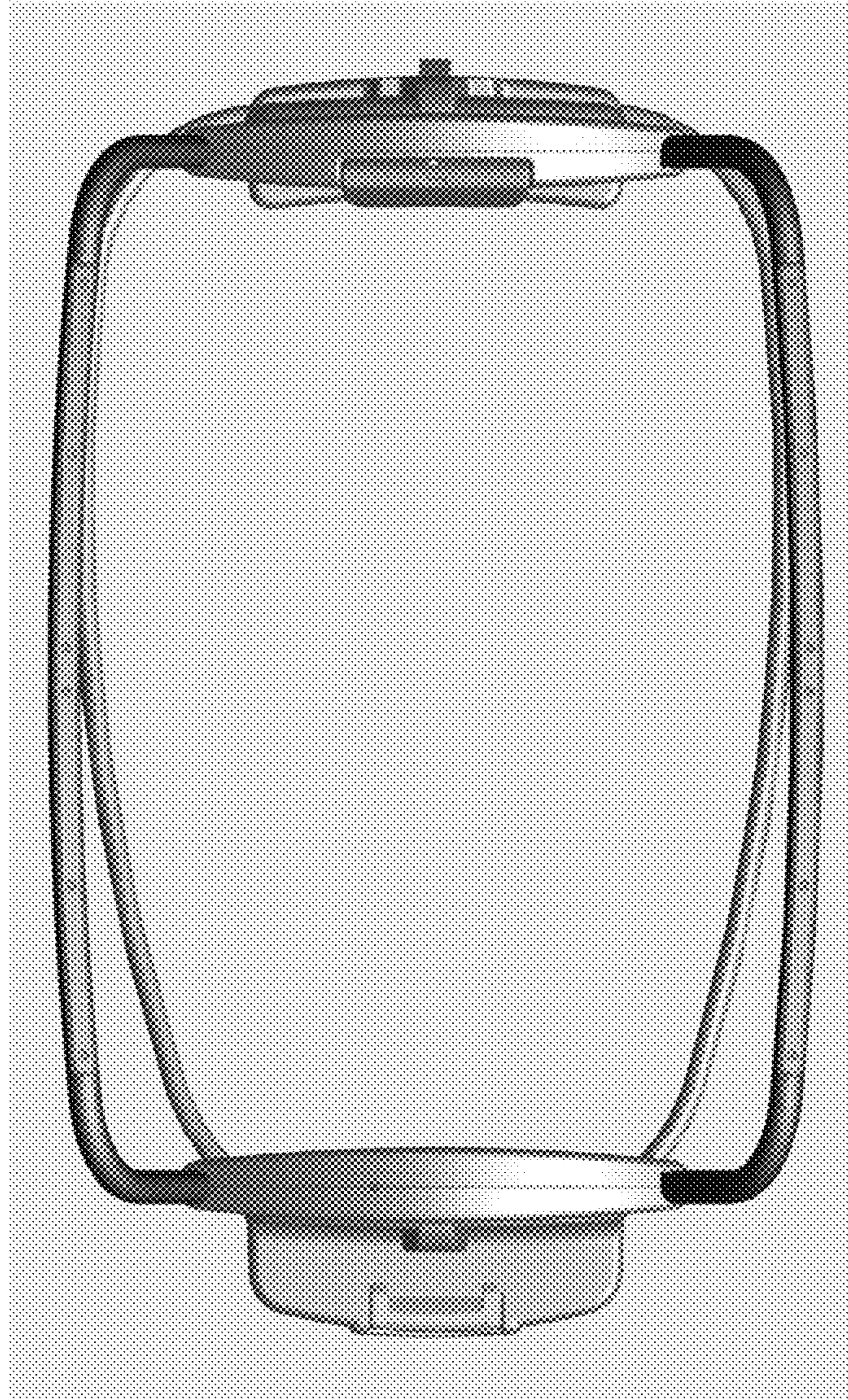


FIG. 5

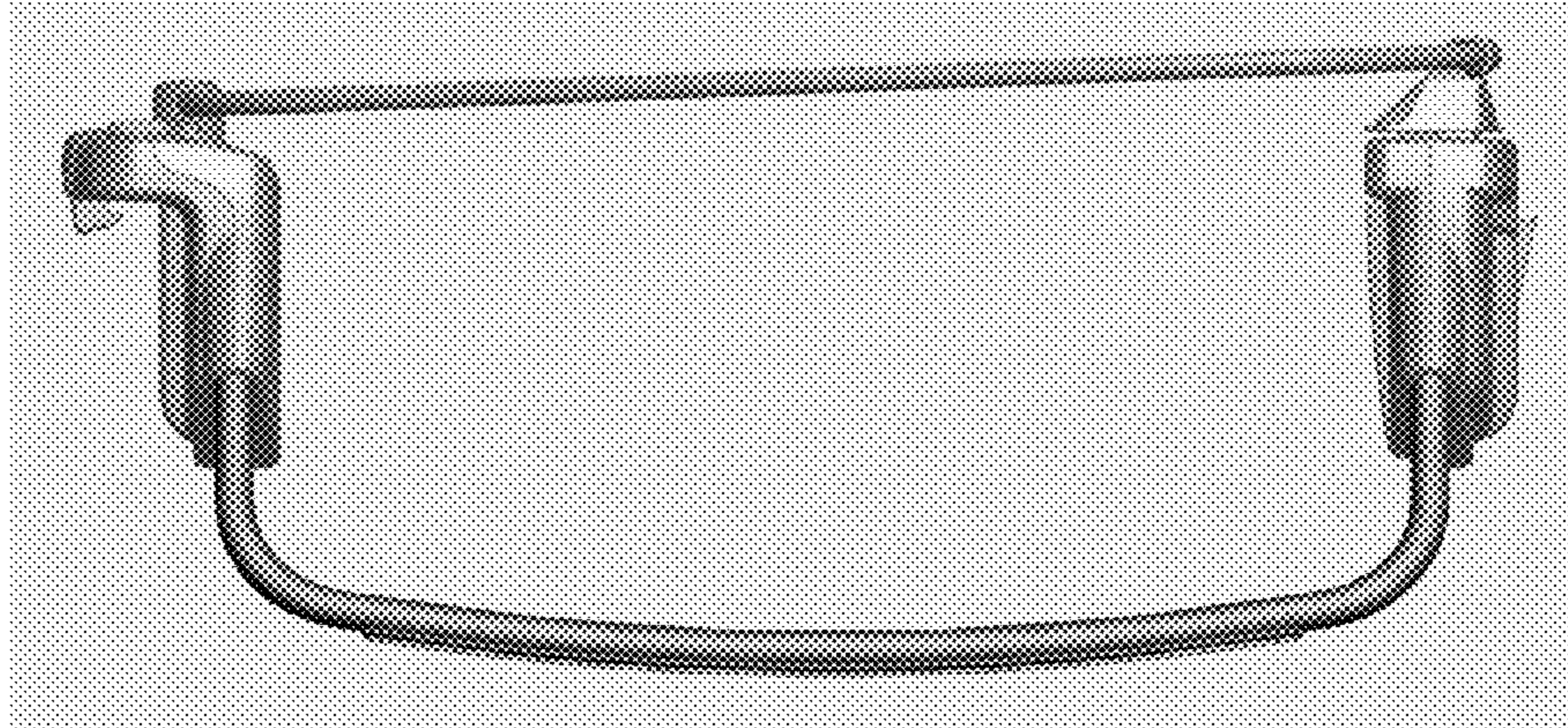


FIG. 6

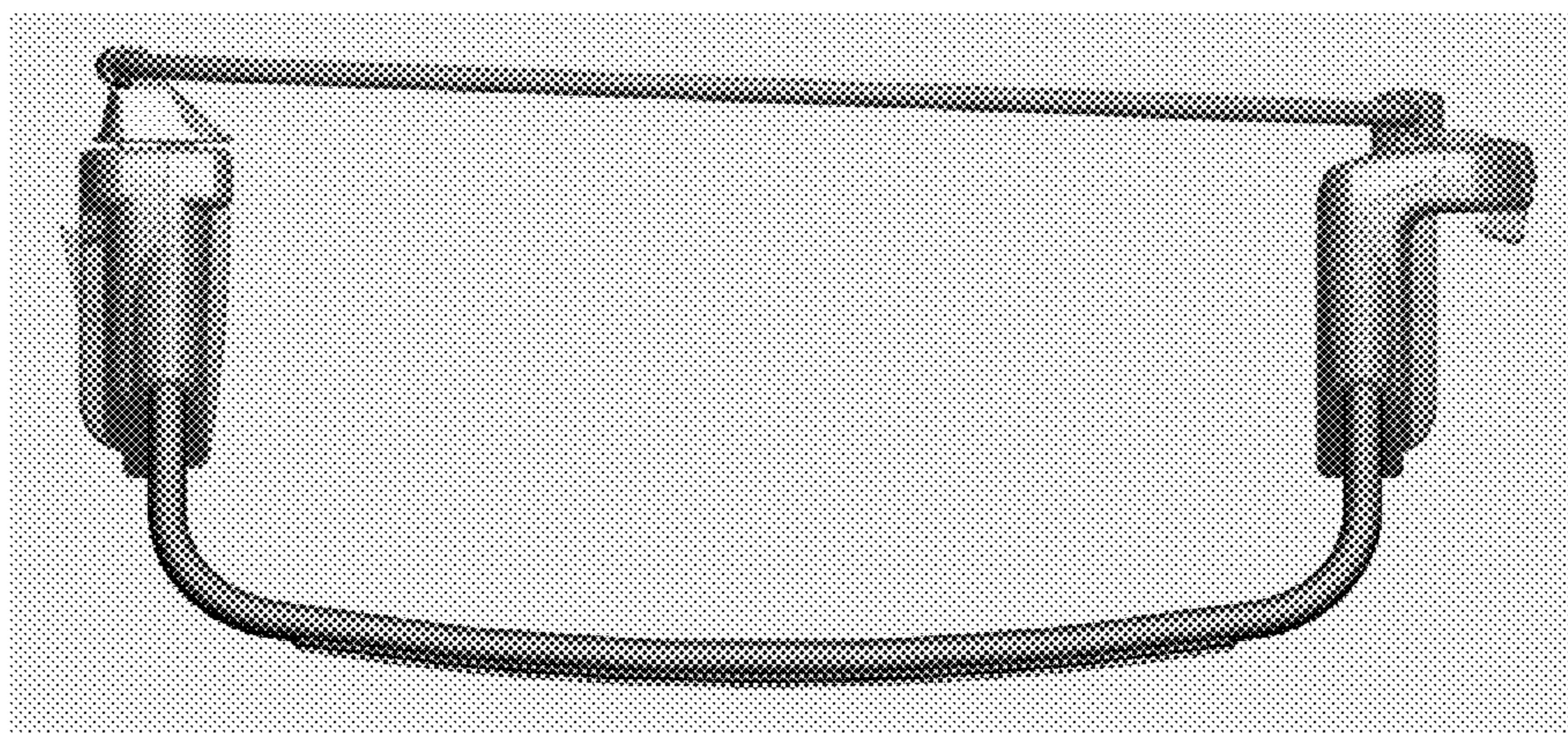


FIG. 7