



US00D717575S

(12) **United States Design Patent**
Rawls-Meehan

(10) **Patent No.:** **US D717,575 S**

(45) **Date of Patent:** **** *Nov. 18, 2014**

(54) **ADJUSTABLE BED WITH INNER SKIRT**

(56) **References Cited**

(71) Applicant: **Martin B. Rawls-Meehan**, Franklin, MI
(US)

U.S. PATENT DOCUMENTS

(72) Inventor: **Martin B. Rawls-Meehan**, Franklin, MI
(US)

3,061,843	A *	11/1962	Singer et al.	5/618
3,644,946	A *	2/1972	Swatt	5/616
3,921,230	A *	11/1975	Hanning et al.	5/616
D255,402	S *	6/1980	Lundgren	D6/382
6,276,011	B1 *	8/2001	Antinori	5/618
6,311,348	B1 *	11/2001	Luff et al.	5/618
7,047,579	B2 *	5/2006	Piana et al.	5/411
D653,870	S *	2/2012	Messenger	D6/361
D657,158	S *	4/2012	McCarty et al.	D6/392
8,375,488	B2 *	2/2013	Rawls-Meehan	5/617
2005/0011005	A1 *	1/2005	Borda	5/412
2007/0220677	A1 *	9/2007	Dewert	5/618

(*) Notice: This patent is subject to a terminal disclaimer.

(**) Term: **14 Years**

* cited by examiner

(21) Appl. No.: **29/445,033**

Primary Examiner — Janice Seeger

(22) Filed: **Feb. 6, 2013**

(74) *Attorney, Agent, or Firm* — Gifford, Krass, Sprinkle, Anderson & Citkowski, P.C.; Douglas L. Wathen

Related U.S. Application Data

(63) Continuation of application No. 13/750,934, filed on Jan. 25, 2013.

(57) **CLAIM**

I claim the ornamental design for an adjustable bed with inner skirt, as shown and described.

(51) **LOC (10) Cl.** **06-06**

DESCRIPTION

(52) **U.S. Cl.**

USPC **D6/718**; D6/392

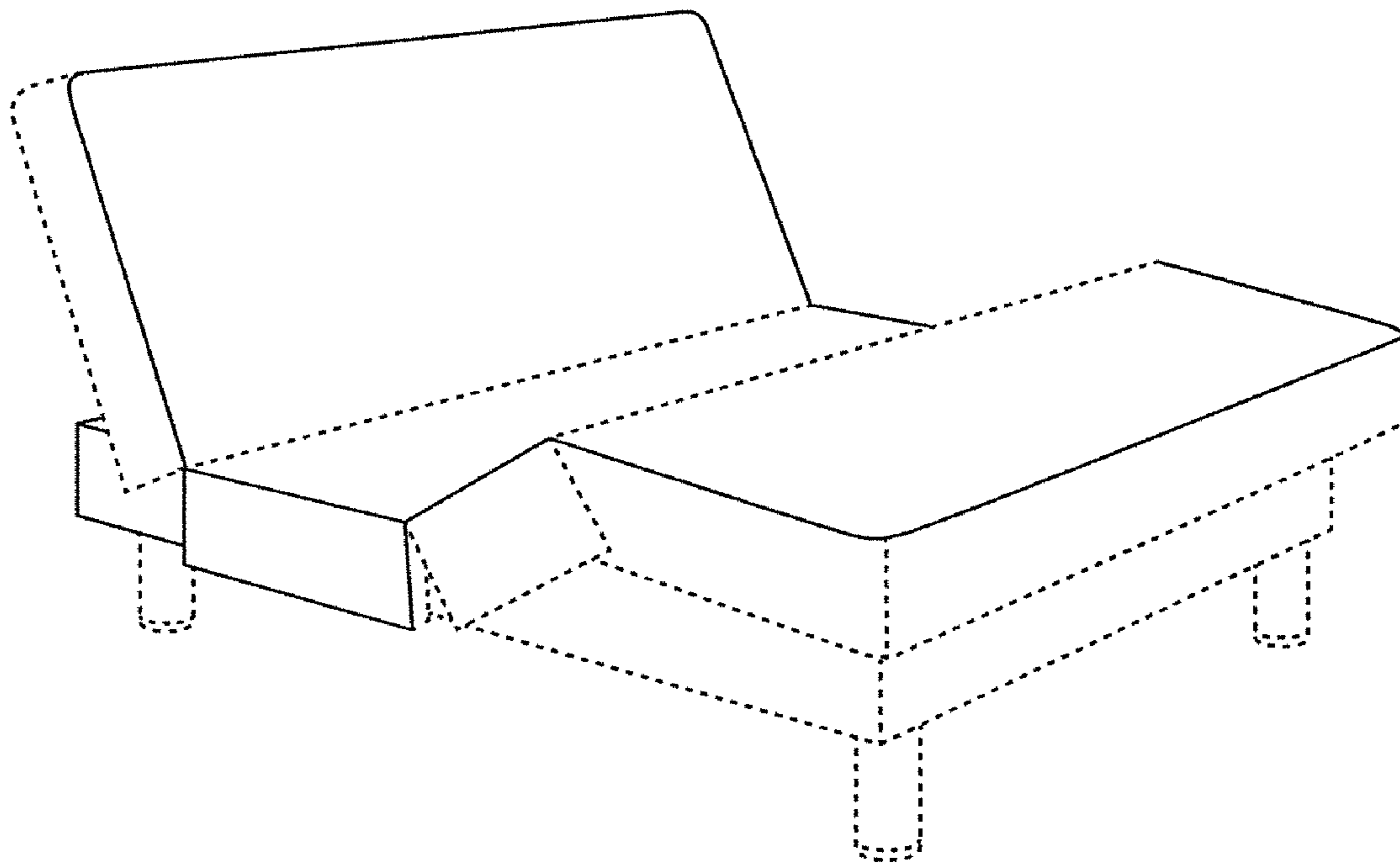
(58) **Field of Classification Search**

USPC D6/382–384, 392–395, 702, 605;
5/53.1, 279.1, 280, 281, 907, 613, 616,
5/618, 722

FIG. 1 is a perspective illustration of an adjustable bed with inner skirt design; and, FIG. 2 is a side perspective view of the design of FIG. 1. The broken lines are for environmental purposes only and form no part of the claimed design. This is a unique design for an adjustable bed used for sleeping.

See application file for complete search history.

1 Claim, 1 Drawing Sheet



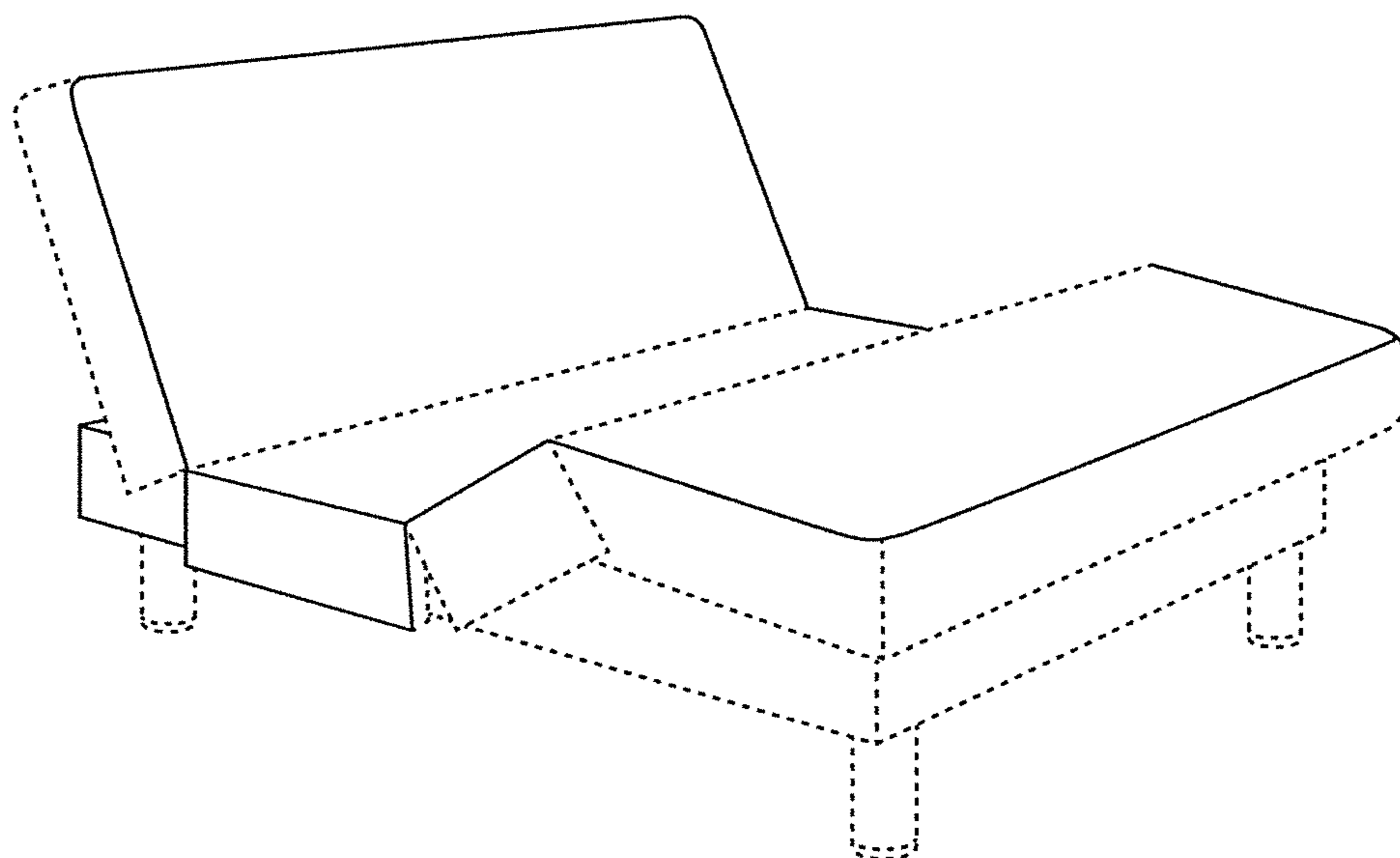


FIG. 1

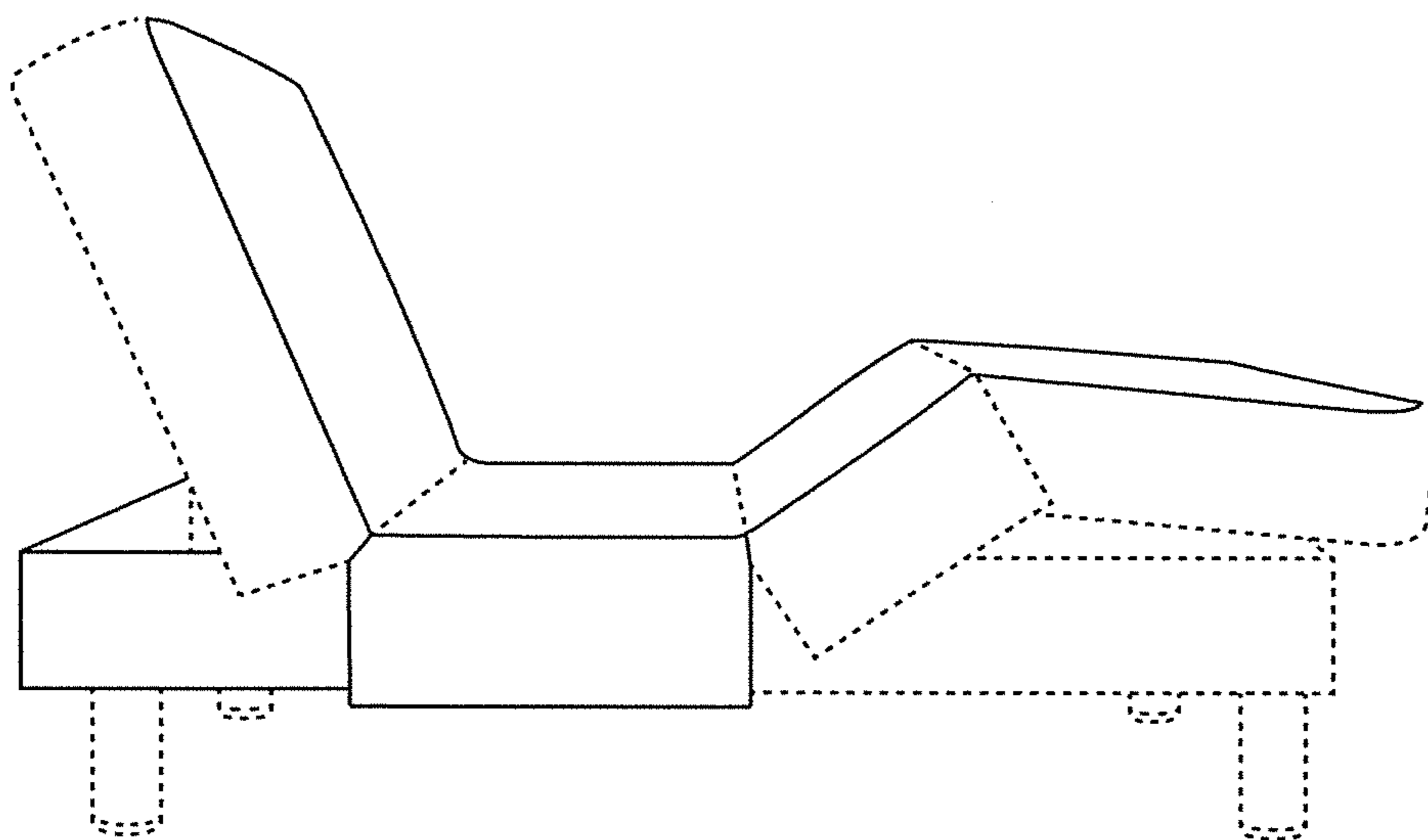


FIG. 2