



US00D717573S

(12) **United States Design Patent**  
**Fishman et al.**

(10) **Patent No.:** **US D717,573 S**

(45) **Date of Patent:** **\*\* Nov. 18, 2014**

(54) **SPLASH GUARD AND ACCESSORY INTERFACE**

(71) Applicant: **Novartis Institutes for Biomedical Research, Inc.**, Cambridge, MA (US)

(72) Inventors: **Mark C. Fishman**, Cambridge, MA (US); **Toshiko Mori**, New York, NY (US); **Landon S. Brown**, Brooklyn, NY (US)

(73) Assignee: **Novartis Institutes for Biomedical Research, Inc.**, Cambridge, MA (US)

(\*\*) Term: **14 Years**

(21) Appl. No.: **29/446,567**

(22) Filed: **Feb. 25, 2013**

(51) **LOC (10) Cl.** ..... **06-06**

(52) **U.S. Cl.**  
USPC ..... **D6/714; D6/706; D20/44**

(58) **Field of Classification Search**  
CPC ..... **A47B 2037/005**  
USPC ..... **D6/332, 699.5, 643, 714, 702, 706; 108/50.01, 50.02, 60, 61, 27; 312/194, 312/239; 211/184; D20/10, 44**  
See application file for complete search history.

(56) **References Cited**

**U.S. PATENT DOCUMENTS**

1,992,903 A \* 2/1935 Potashnik ..... 297/158.1  
D277,196 S \* 1/1985 Eason ..... D20/43

D473,080 S \* 4/2003 Kellogg ..... D6/491  
D484,336 S \* 12/2003 Hansen et al. .... D6/491  
D507,915 S \* 8/2005 Nagel ..... D6/511  
6,964,235 B2 \* 11/2005 Hardy ..... 108/61  
D564,764 S \* 3/2008 Springer et al. .... D6/332

\* cited by examiner

*Primary Examiner* — Janice Seeger

(74) *Attorney, Agent, or Firm* — Morrison & Foerster LLP

(57) **CLAIM**

The ornamental design for a splash guard and accessory interface, as shown and described.

**DESCRIPTION**

FIG. 1 is a top perspective view of a splash guard and accessory interface according to one embodiment, which may be used with a laboratory workbench.

FIG. 2 is a front view of the splash guard and accessory interface.

FIG. 3 is a back view of the splash guard and accessory interface.

FIG. 4 is a first side view of the splash guard and accessory interface.

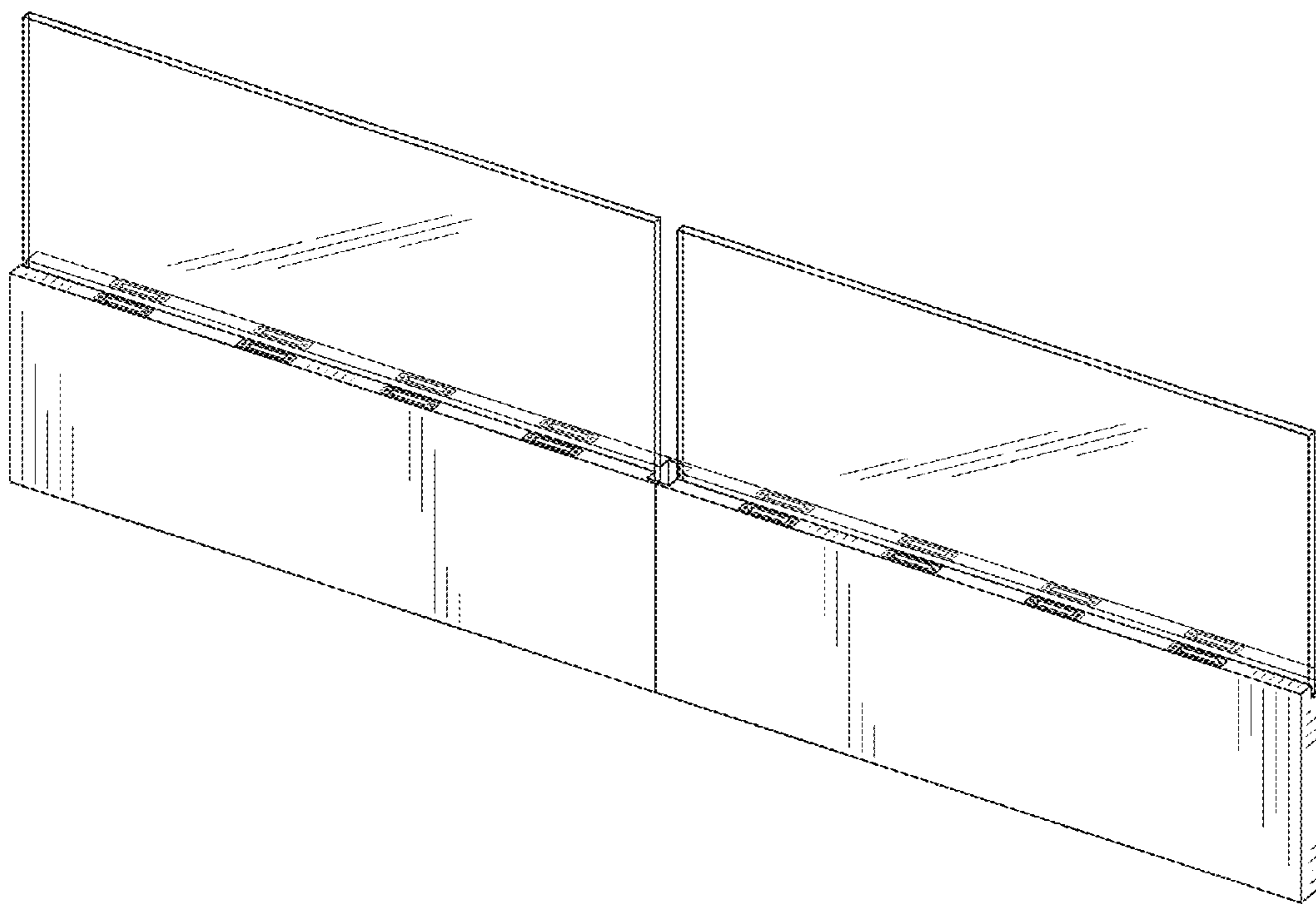
FIG. 5 is a second side view, opposite of the first side view, of the splash guard and accessory interface.

FIG. 6 is a top view of the splash guard and accessory interface.

FIG. 7 is a bottom view of the splash guard and accessory interface; and,

FIG. 8 is a bottom perspective view of the splash guard and accessory interface.

**1 Claim, 3 Drawing Sheets**



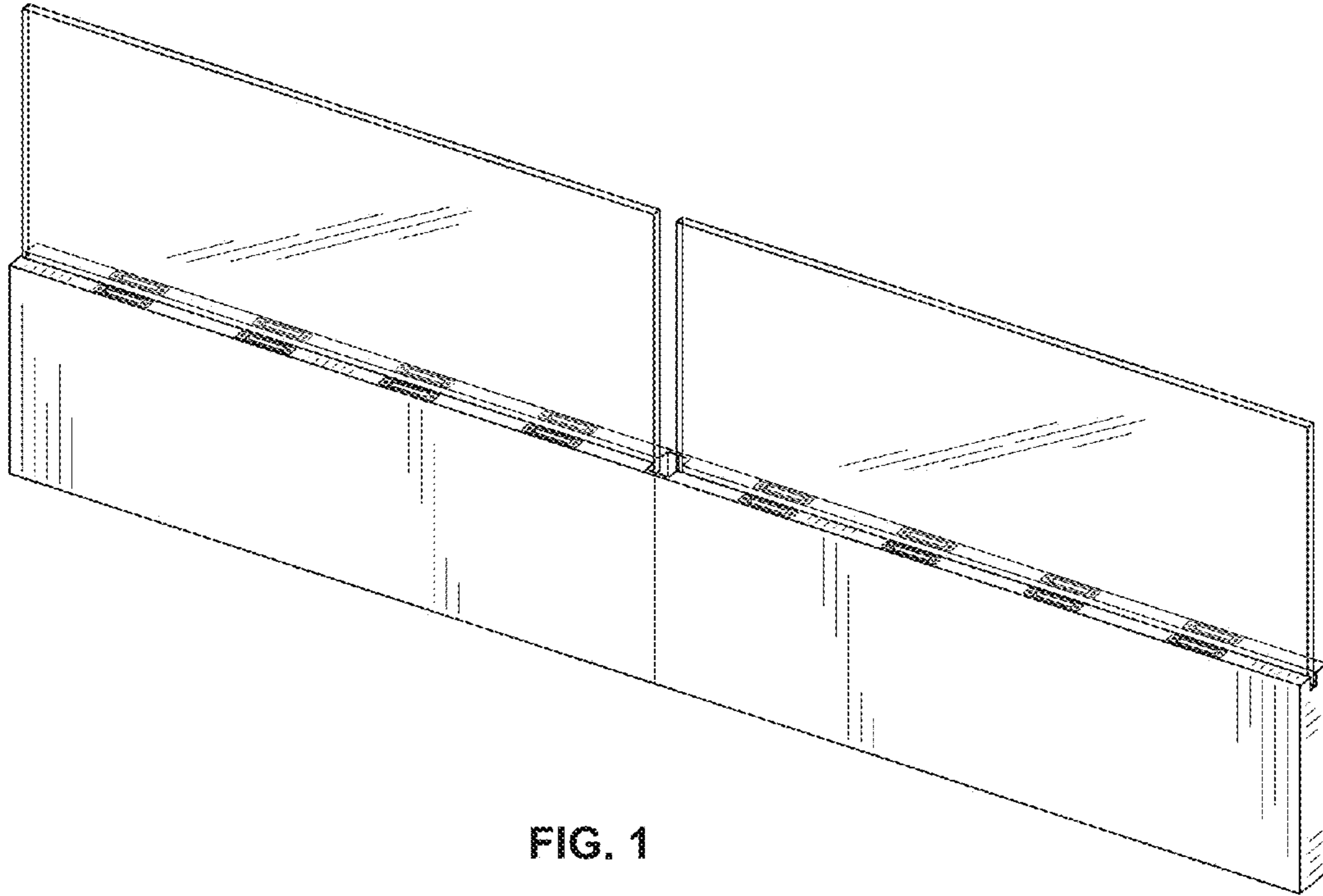


FIG. 1

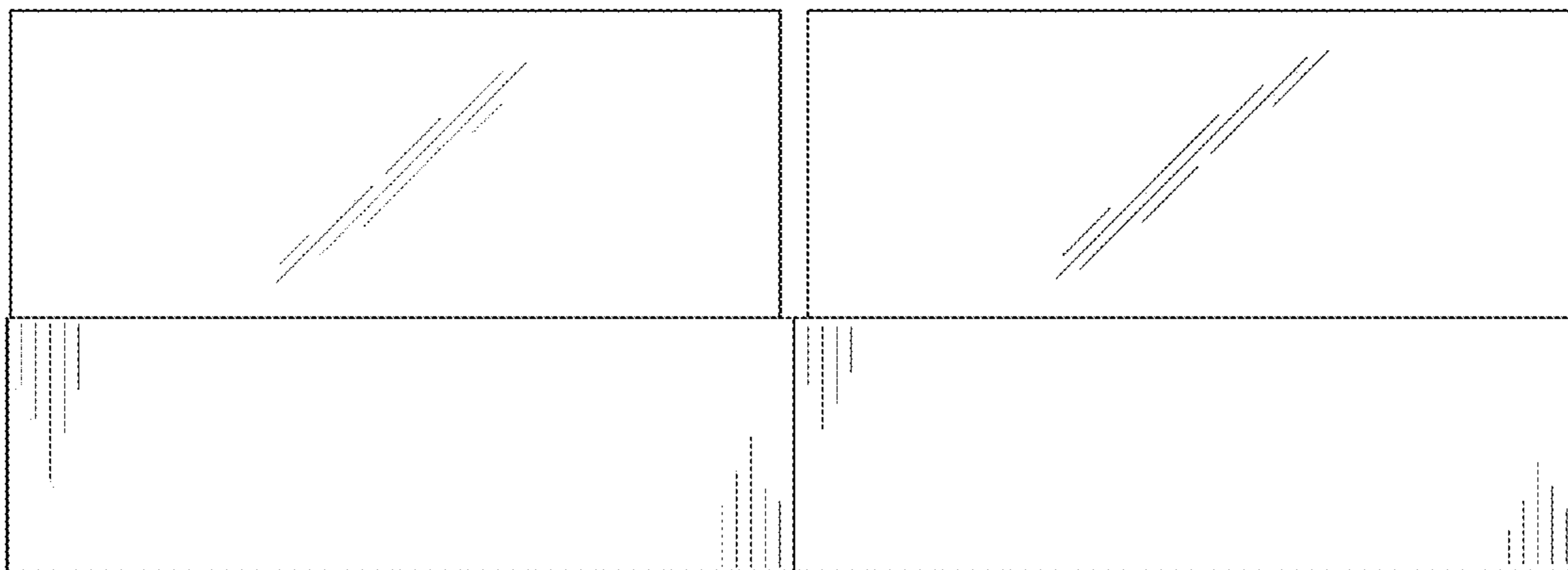


FIG. 2

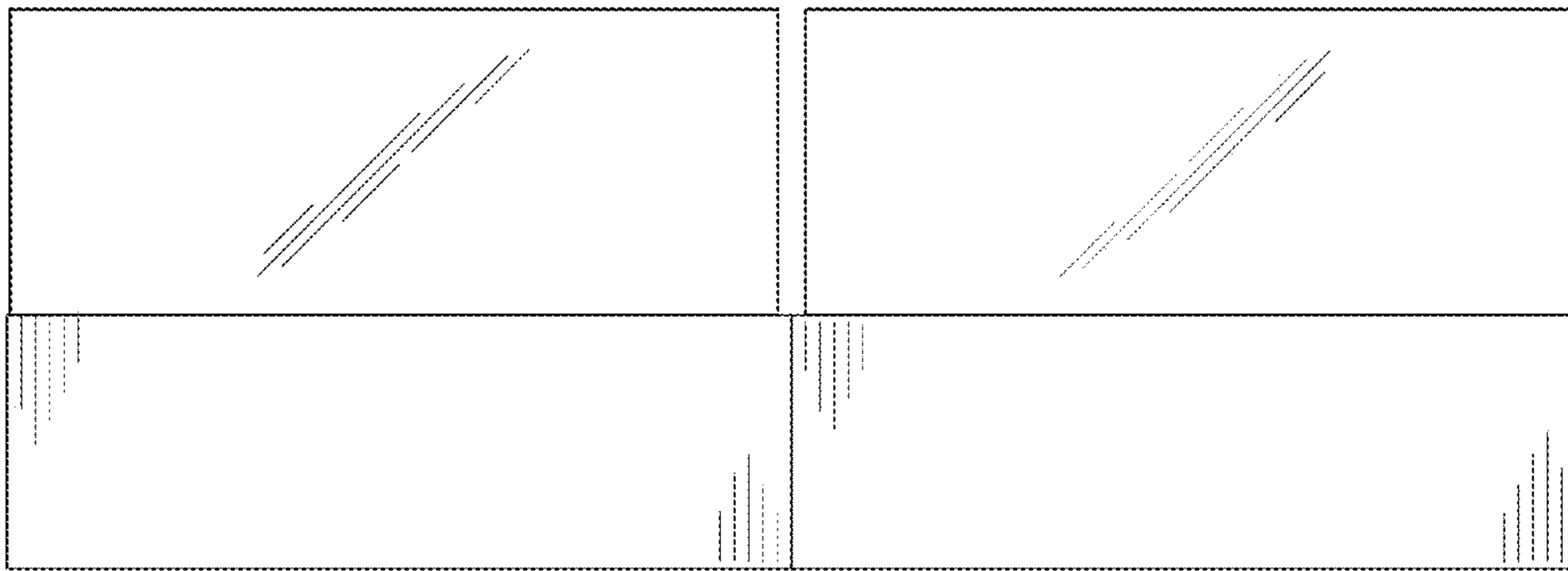


FIG. 3



FIG. 4



FIG. 5



FIG. 6



FIG. 7

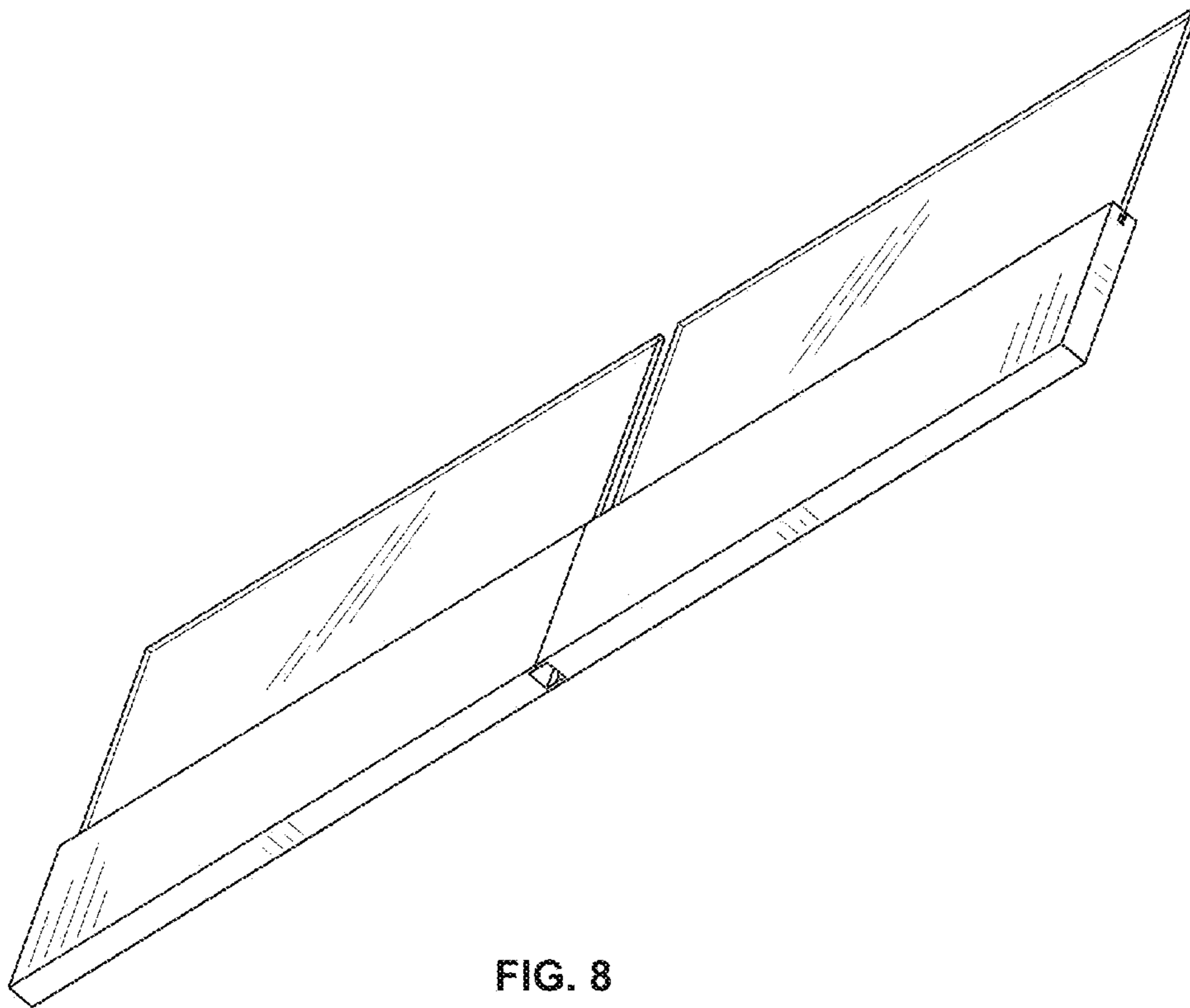


FIG. 8