



US00D717572S

(12) **United States Design Patent**
Morrison

(10) **Patent No.:** **US D717,572 S**
(45) **Date of Patent:** **** Nov. 18, 2014**

- (54) **TABLE**
 - (71) Applicant: **Landscape Forms, Inc.**, Kalamazoo, MI (US)
 - (72) Inventor: **Lionel Morrison**, Dallas, TX (US)
 - (73) Assignee: **Landscape Forms, Inc.**, Kalamazoo, MI (US)
 - (**) Term: **14 Years**
 - (21) Appl. No.: **29/452,116**
 - (22) Filed: **Apr. 12, 2013**
 - (51) **LOC (10) Cl.** **06-03**
 - (52) **U.S. Cl.**
USPC **D6/691.1; D6/691.8; D6/647**
 - (58) **Field of Classification Search**
USPC **D6/685, 691, 691.8, 647, 691.1; 108/152, 153.1, 156, 161; 248/188, 248/188.1, 188.8**
- See application file for complete search history.

(56) **References Cited**

U.S. PATENT DOCUMENTS

D231,886 S *	6/1974	Kephart	D6/484
D431,398 S *	10/2000	Luong et al.	D6/484
D541,559 S *	5/2007	Lewis	D6/484
D552,887 S *	10/2007	Everson et al.	D6/480
D653,879 S *	2/2012	Najarian	D6/484

OTHER PUBLICATIONS

Saler Bar Table, manufactured by Gandia Blasco, designed by Jose A. Gandia-Blasco, printout available online on Mar. 2, 2013 at: <http://www.gandiablasco.com/coleccion/pag/2/p/848/t/bar-table-saler/>, 2 pages.

Melbourne Bar Set, manufactured by Hesperide, printout available online on Mar. 2, 2013 at: <http://www.hesperide.net/p-33-8-Melbourne-bar-set.html>, 1 page.

Luma Collection, manufactured by Modern Outdoor, printouts available online on Mar. 2, 2013 at: <http://modernoutdoor.com/collections/luma/> and <http://www.allmodern.com/Modern-Outdoor-Luma-Dining-Table-lu-tb-MOD1050.html>, 4 pages.

Talt Collection, manufactured by Modern Outdoor, printouts available online on Mar. 2, 2013 at: <http://modernoutdoor.com/collections/talt> and <http://www.allmodern.com/Modern-Outdoor-Talt-42-Bar-Table-ta-tbb-42-MOD1034.html>, 5 pages.

Soho, Piano and Breeze Collections, manufactured by Harbour Outdoor, printouts available online on Mar. 2, 2013 at: <http://www.harbouroutdoor.com/Harbour-2012-CAT-E.pdf> and <http://www.allmodern.com/Harbour-Outdoor-Soho-Glass-Dining-Table-SOH.04-HUO1050.html>, 78 pages.

Fuji Counter Stool, manufactured by LumiSource, printout available online on Mar. 2, 2013 at: http://www.lumisource.com/fuji_stack_bar_stool.html, 1 page.

Madrio Bar Stool, manufactured by Zack of Germany, printout available online on Mar. 2, 2013 at: <http://www.allmodern.com/ZACK-Madrio-Bar-Stool-50755-50754-ZAC1260.html>, 3 pages.

Rue de Seine Cocktail Table, manufactured by Holly Hunt, printout available online on Mar. 2, 2013 at: <http://www.hollyhunt.com/ShowProduct.aspx?ProductID=96&ManufacturerID=1>, 1 page.

Isola Cocktail Table, manufactured by Holly Hunt, printout available online on Mar. 2, 2013 at: <http://www.hollyhunt.com/ShowProduct.aspx?ProductID=4720&ManufacturerID=1>, 1 page.

* cited by examiner

Primary Examiner — Janice Seeger

(74) *Attorney, Agent, or Firm* — Heslin Rothenberg Farley & Mesiti P.C.

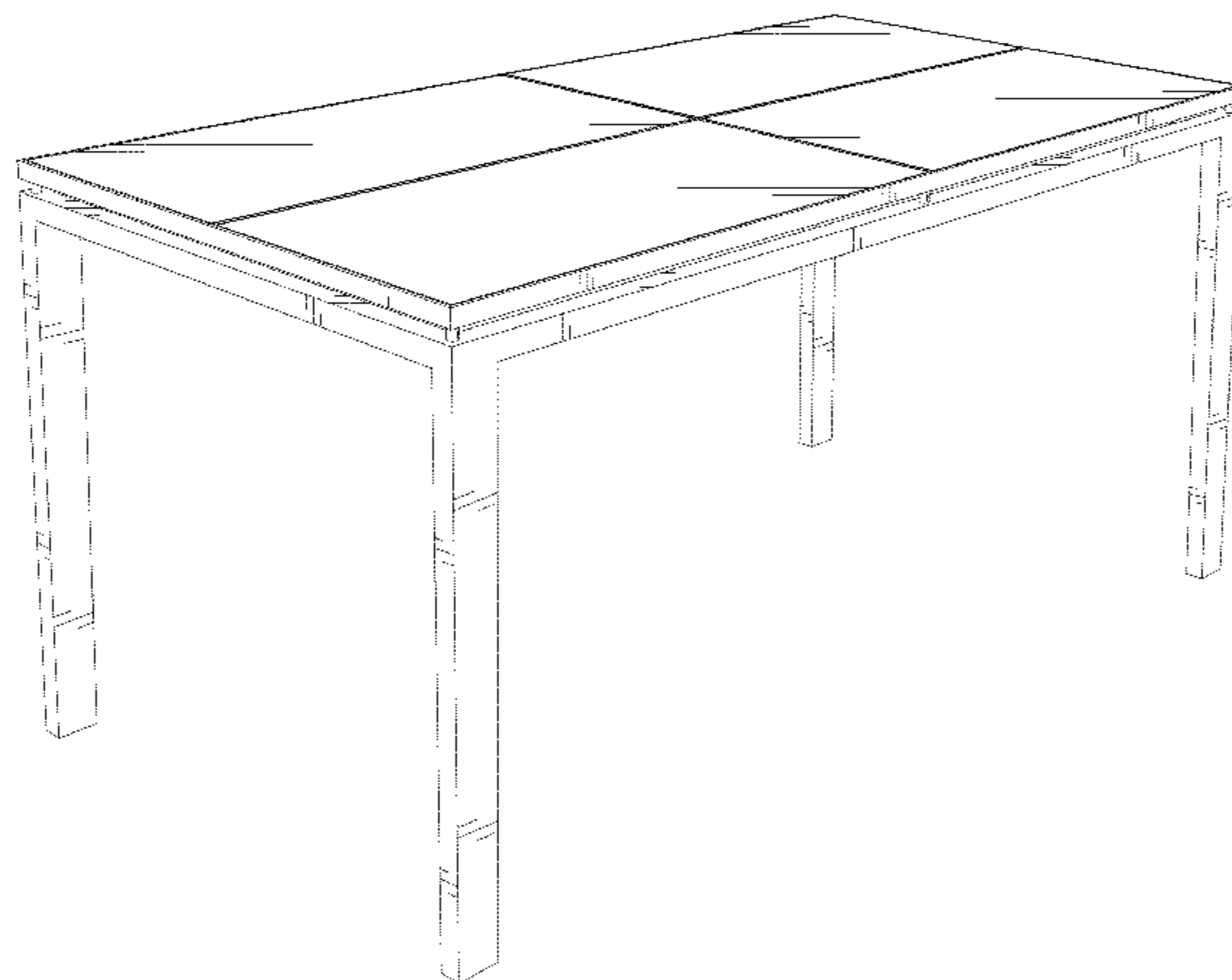
(57) **CLAIM**

The ornamental design for a table, as shown and described.

DESCRIPTION

FIG. 1 is a perspective view of the table of the present invention;
 FIG. 2 is a front elevation view thereof, the rear elevation view being identical thereto;
 FIG. 3 is a right side elevation view thereof, the left side elevation view being identical thereto; and,
 FIG. 4 is a top plan view thereof.

1 Claim, 4 Drawing Sheets



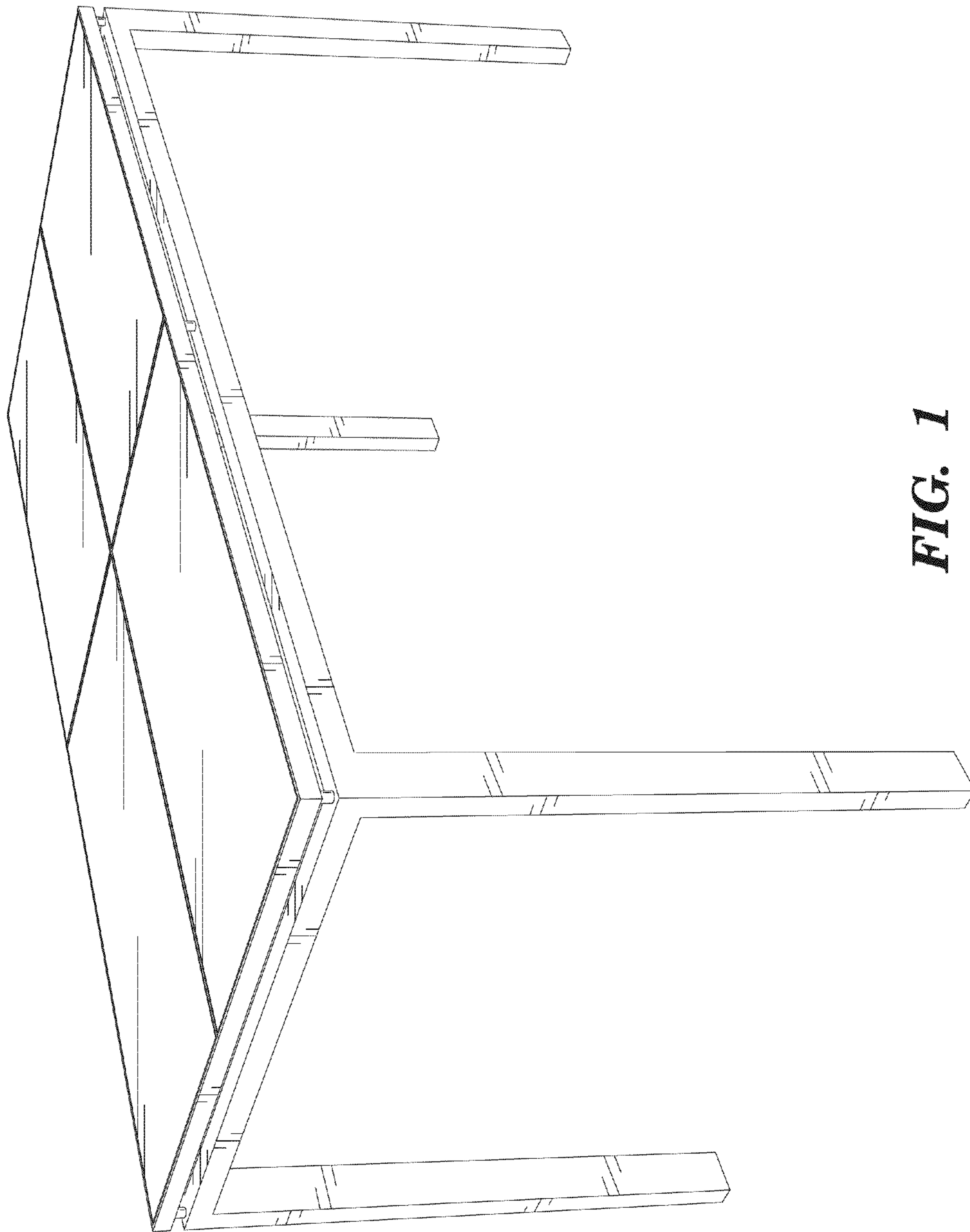


FIG. 1

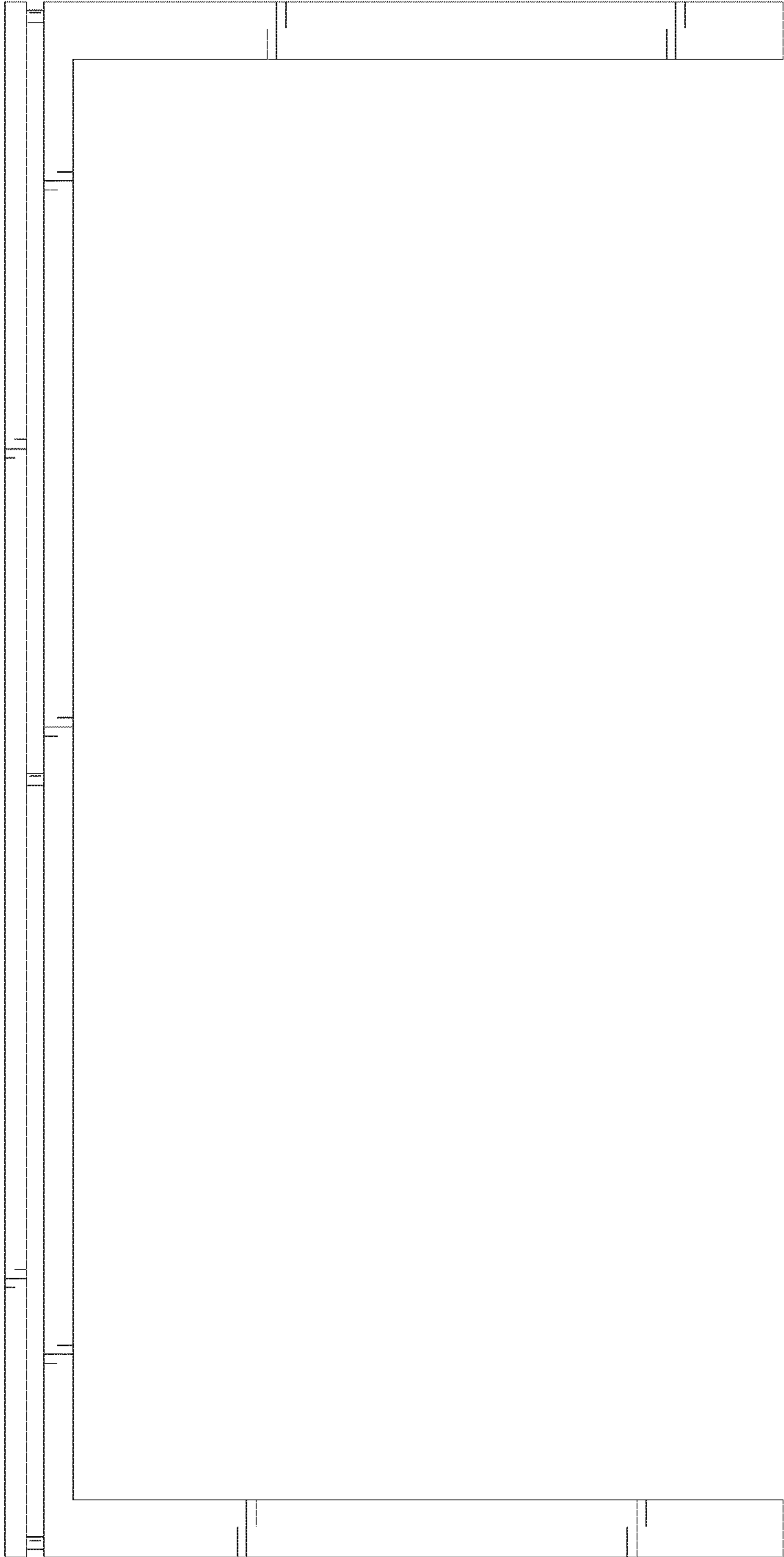


FIG. 2

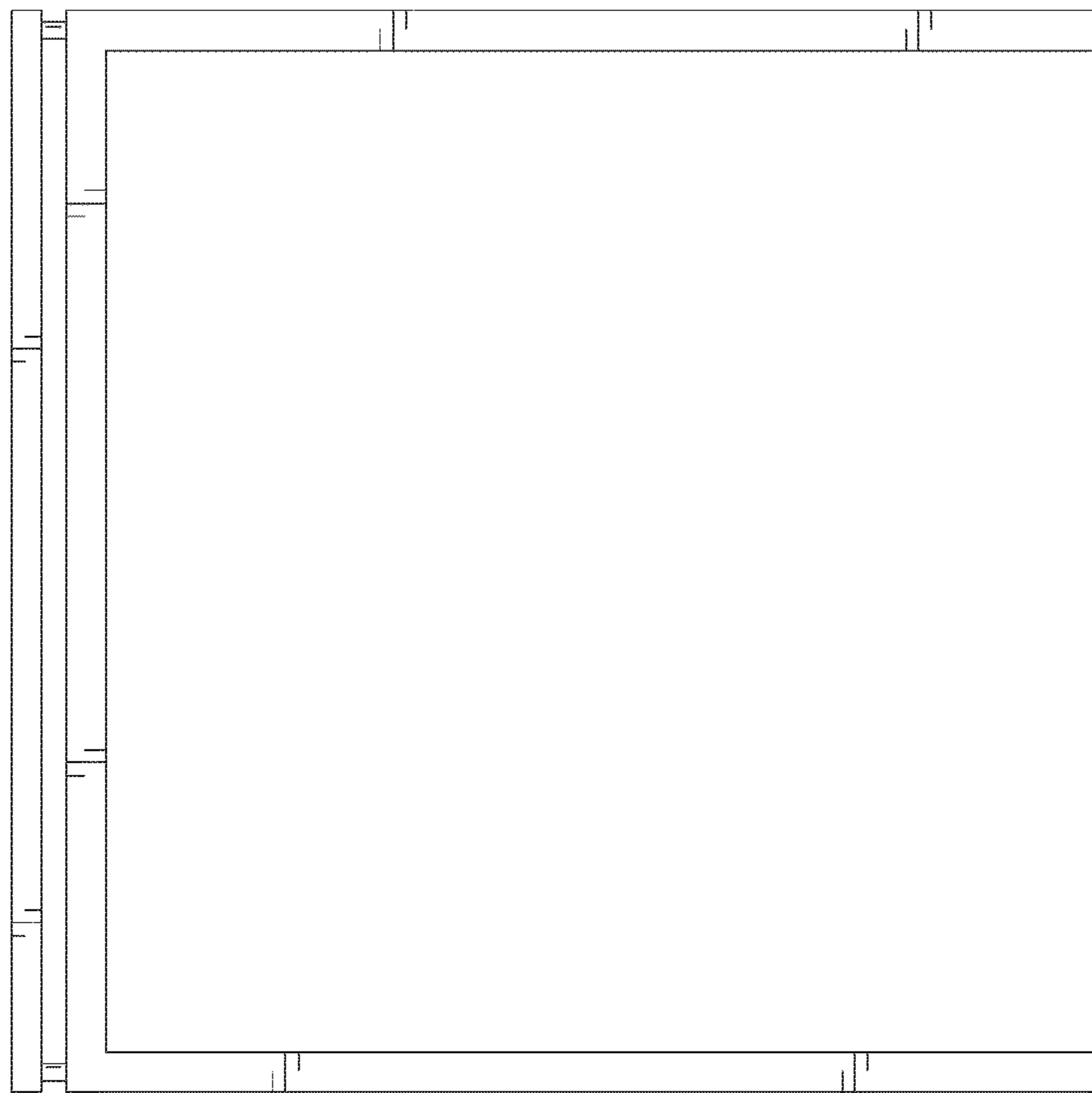


FIG. 3

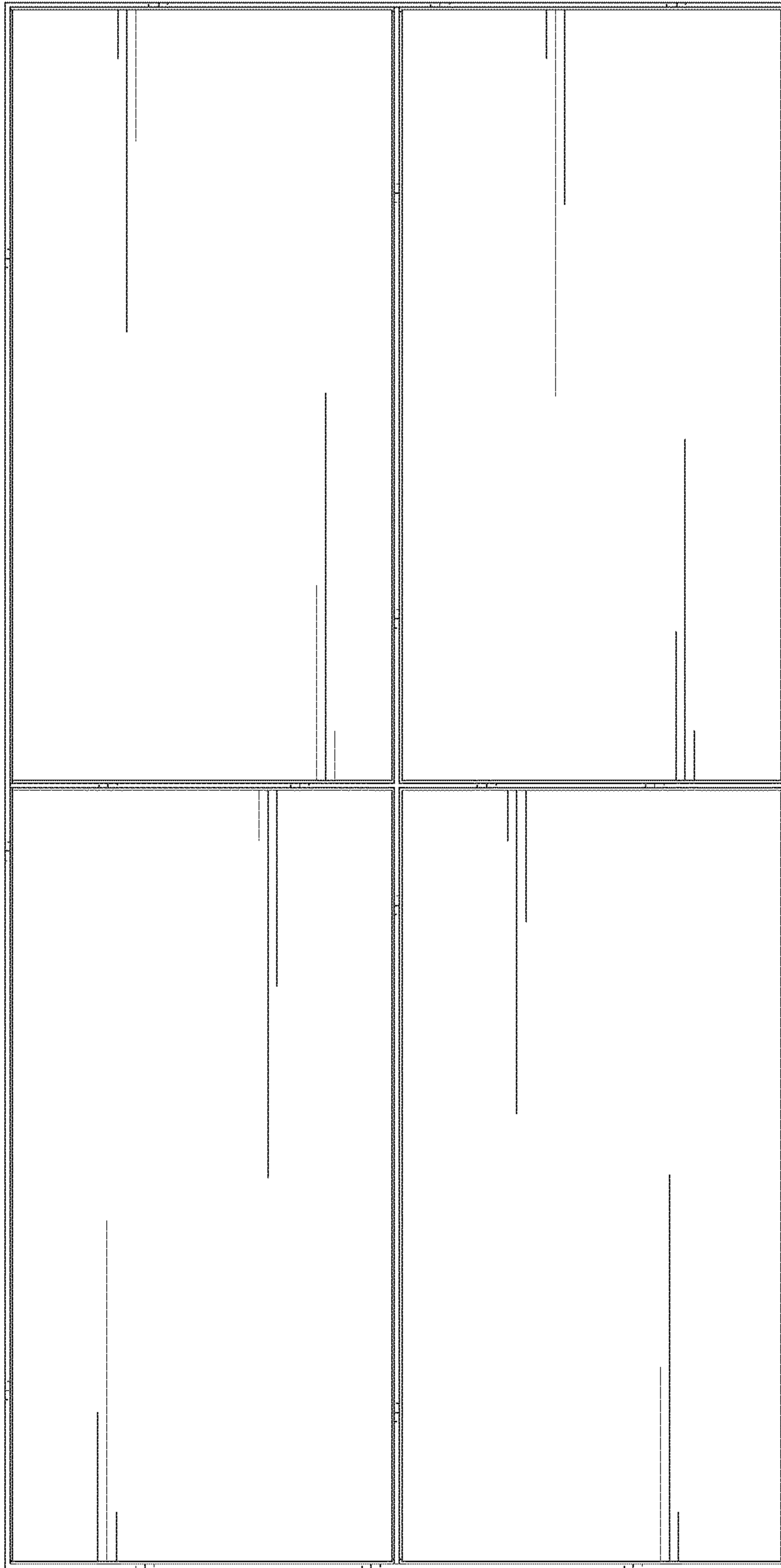


FIG. 4