



US00D717570S

(12) **United States Design Patent**  
**Cornacchia**

(10) **Patent No.:** **US D717,570 S**

(45) **Date of Patent:** **\*\* Nov. 18, 2014**

(54) **TORPEDO SHAPE REMOTE CONTROL HOLDER**

(76) Inventor: **Louis Cornacchia**, Point Lookout, NY (US)

(\*\*) Term: **14 Years**

(21) Appl. No.: **29/427,566**

(22) Filed: **Jul. 19, 2012**

(51) **LOC (10) Cl.** ..... **06-04**

(52) **U.S. Cl.**  
USPC ..... **D6/665**

(58) **Field of Classification Search**  
USPC ..... D6/334-336, 344-349, 354-450, D6/495-502, 601, 674, 682.4; D14/137, D14/138 AA-138 G, 139, 203.7, 217-218, D14/248, 299, 388; D21/329, 398, 401, D21/566, 707-713; D30/101, 160; 297/35, 297/411.2, 411.21, 411.23, 411.26, 411.4, 297/411.45-411.46; 455/566, 575.1, 575.3, 455/575.4; 473/570, 596, 613

See application file for complete search history.

(56) **References Cited**

U.S. PATENT DOCUMENTS

D234,994 S 4/1975 Stiene  
D241,869 S 10/1976 Hilprecht

(Continued)

*Primary Examiner* — Ricky Pham

(74) *Attorney, Agent, or Firm* — Mark D. Trenner; Trenner Law Firm, LLC

(57) **CLAIM**

The ornamental design for a torpedo shape remote control holder, substantially as shown in the attached drawings.

**DESCRIPTION**

FIG. 1 is a perspective view of the torpedo shape remote control holder, with a lid that opens and closes (shown

closed), wherein remote control devices which do not form part of the design are shown in phantom as these may be positioned in each of four pockets of the torpedo shape remote control holder;

FIG. 2 is a front plan view corresponding to FIG. 1;

FIG. 3 is a rear plan view corresponding to FIG. 1;

FIG. 4 is a top side plan view corresponding to FIG. 1, wherein the logo does not form part of the design and therefore is shown in phantom;

FIG. 5 is a left side plan view corresponding to FIG. 1 (with right side and bottom views being the same), wherein a hook-and-loop or VELCRO® fastener does not form part of the design and therefore is shown in phantom;

FIG. 6 is a perspective view of the torpedo shape remote control holder with the lid that opens and closes (shown open to reveal a storage area inside the torpedo shape remote control holder);

FIG. 7 is a front plan view corresponding to FIG. 6;

FIG. 8 is a rear plan view corresponding to FIG. 6;

FIG. 9 is a right side plan view corresponding to FIG. 6;

FIG. 10 is a left side plan view corresponding to FIG. 6;

FIG. 11 is a top plan view corresponding to FIG. 6 (with bottom view being a mirror image);

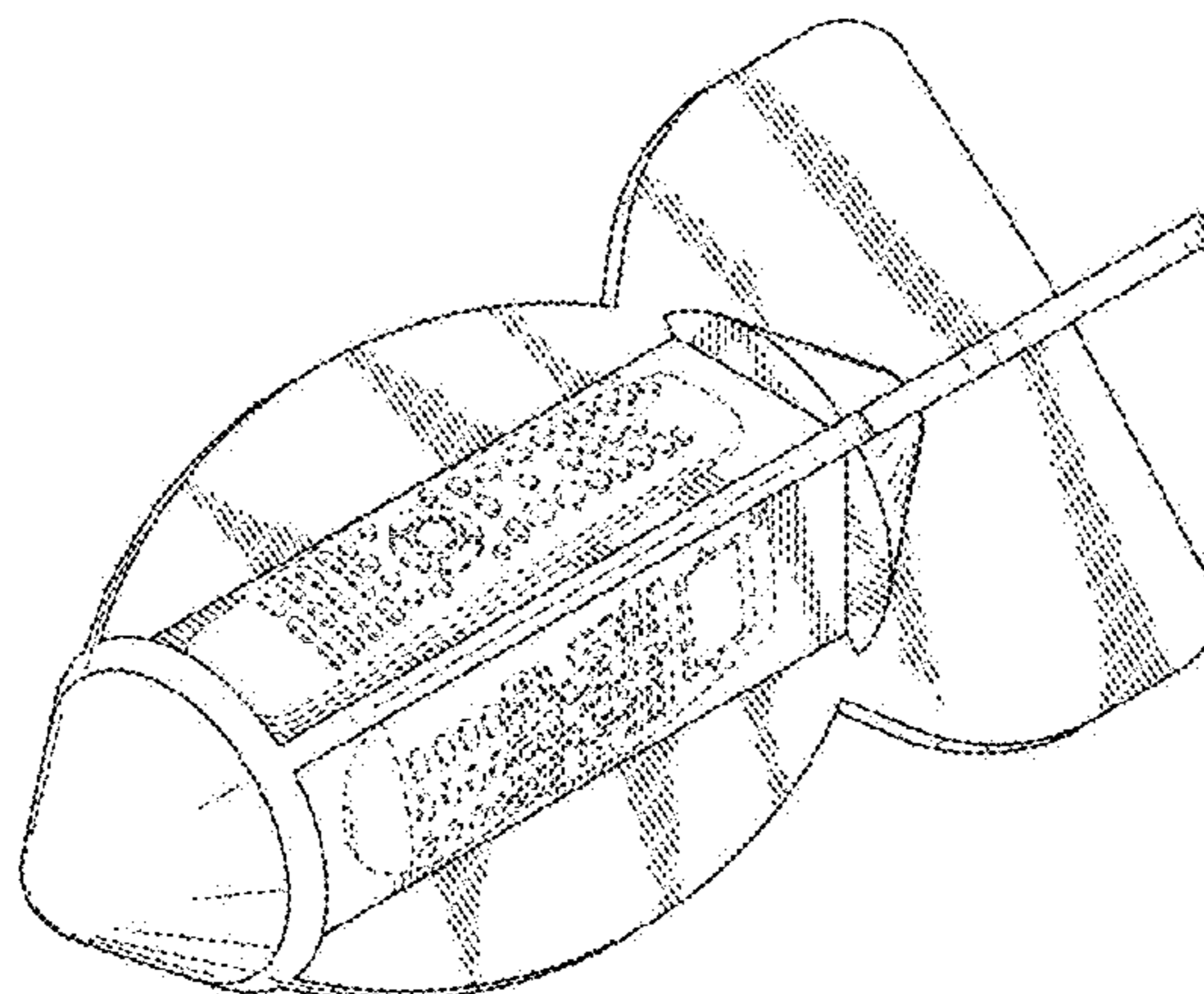
FIG. 12 is a cross sectional view taken through line 12-12 of FIG. 4 showing the top/left perspective view corresponding to FIG. 1 and showing a cylindrical storage area inside the torpedo shape remote control holder;

FIG. 13 is a cross sectional view taken through line 13-13 of FIG. 4 showing the bottom/right perspective view corresponding to FIG. 1 showing the cylindrical storage area inside the torpedo shape remote control holder;

FIG. 14 is a cross sectional view taken through line 14-14 of FIG. 4 showing the top/left perspective view corresponding to FIG. 1 showing an alternative rectangular storage area inside the torpedo shape remote control holder; and,

FIG. 15 is a cross sectional view taken through line 15-15 of FIG. 4 showing the bottom/right perspective view corresponding to FIG. 1 showing the rectangular storage area inside the torpedo shape remote control holder.

**1 Claim, 7 Drawing Sheets**



(56)

References Cited

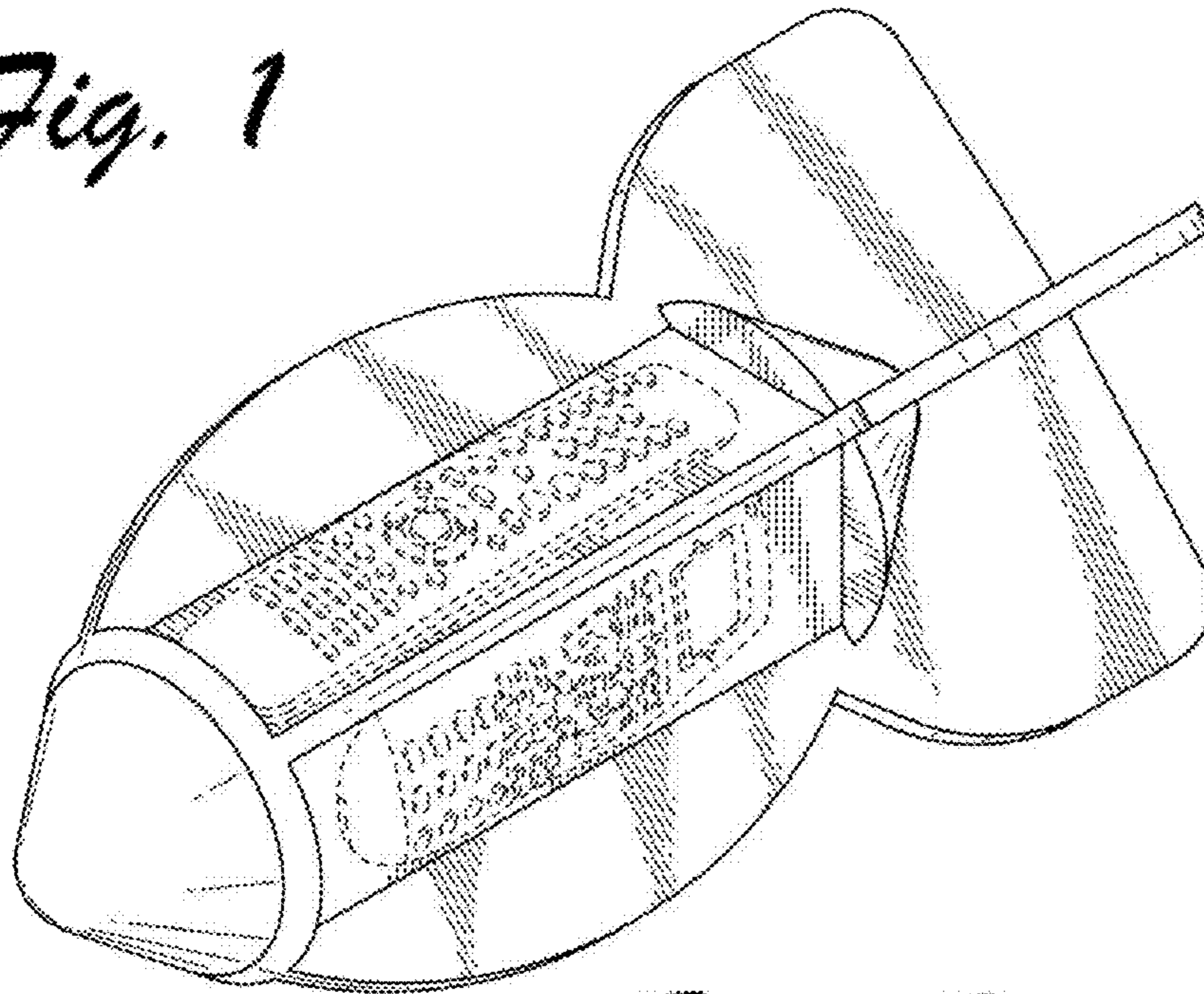
U.S. PATENT DOCUMENTS

4,712,693 A 12/1987 Striplin  
 4,838,505 A 6/1989 Lowe  
 D322,724 S 12/1991 Stravitz  
 5,195,634 A 3/1993 Zaug  
 5,284,341 A \* 2/1994 Routzong et al. .... 473/613  
 D348,366 S 7/1994 Stravitz  
 D350,577 S \* 9/1994 Giudice ..... D21/712  
 D353,067 S 12/1994 Asmar  
 D353,956 S 1/1995 Schmidt  
 D355,460 S \* 2/1995 Routzong et al. .... D21/712  
 D363,619 S 10/1995 Karnaze  
 D371,917 S 7/1996 Thomas  
 D428,752 S 8/2000 Marquez, Jr.  
 D473,066 S 4/2003 Kwok  
 D494,775 S 8/2004 Birmingham  
 D499,607 S 12/2004 Lyon  
 D503,758 S 4/2005 Crane et al.  
 D513,096 S 12/2005 Stiles  
 D516,646 S 3/2006 Yang  
 D519,751 S 5/2006 Etter  
 D532,995 S 12/2006 Dorazio  
 D552,307 S 10/2007 Renforth et al.

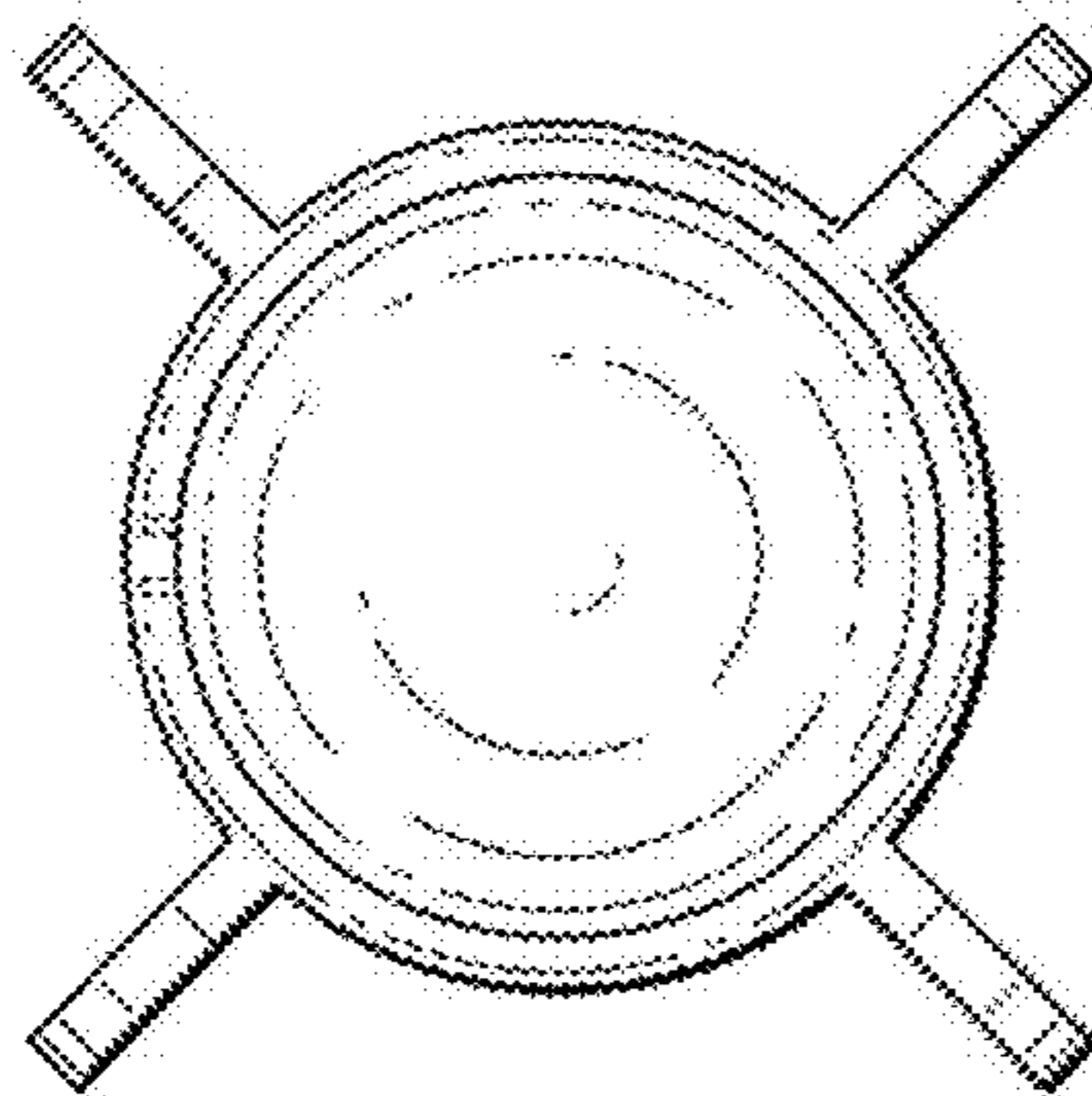
D556,275 S 11/2007 Crane et al.  
 D562,419 S 2/2008 Crane et al.  
 D565,669 S \* 4/2008 Sullivan ..... D21/401  
 D579,740 S 11/2008 Moman  
 D599,505 S 9/2009 Crane et al.  
 D599,963 S \* 9/2009 Crane et al. .... D30/160  
 D609,987 S 2/2010 Moman  
 D611,729 S 3/2010 Lau  
 D616,670 S 6/2010 Lau  
 D623,436 S 9/2010 Lau  
 D624,251 S \* 9/2010 Rutherford ..... D30/160  
 D625,163 S 10/2010 Moman  
 D644,077 S 8/2011 Moman  
 D644,078 S 8/2011 Moman  
 D651,372 S 12/2011 Rutherford  
 D660,384 S 5/2012 Saber et al.  
 D662,804 S 7/2012 Larson  
 8,382,618 B2 \* 2/2013 Lo ..... 473/596  
 D680,774 S \* 4/2013 Cornacchia ..... D6/682.4  
 D688,059 S \* 8/2013 Cornacchia ..... D6/665  
 D688,893 S \* 9/2013 Cornacchia ..... D6/665  
 D705,876 S \* 5/2014 Oblack et al. .... D21/712  
 D707,303 S \* 6/2014 Saber et al. .... D21/398  
 8,777,785 B2 \* 7/2014 Martino ..... 473/570

\* cited by examiner

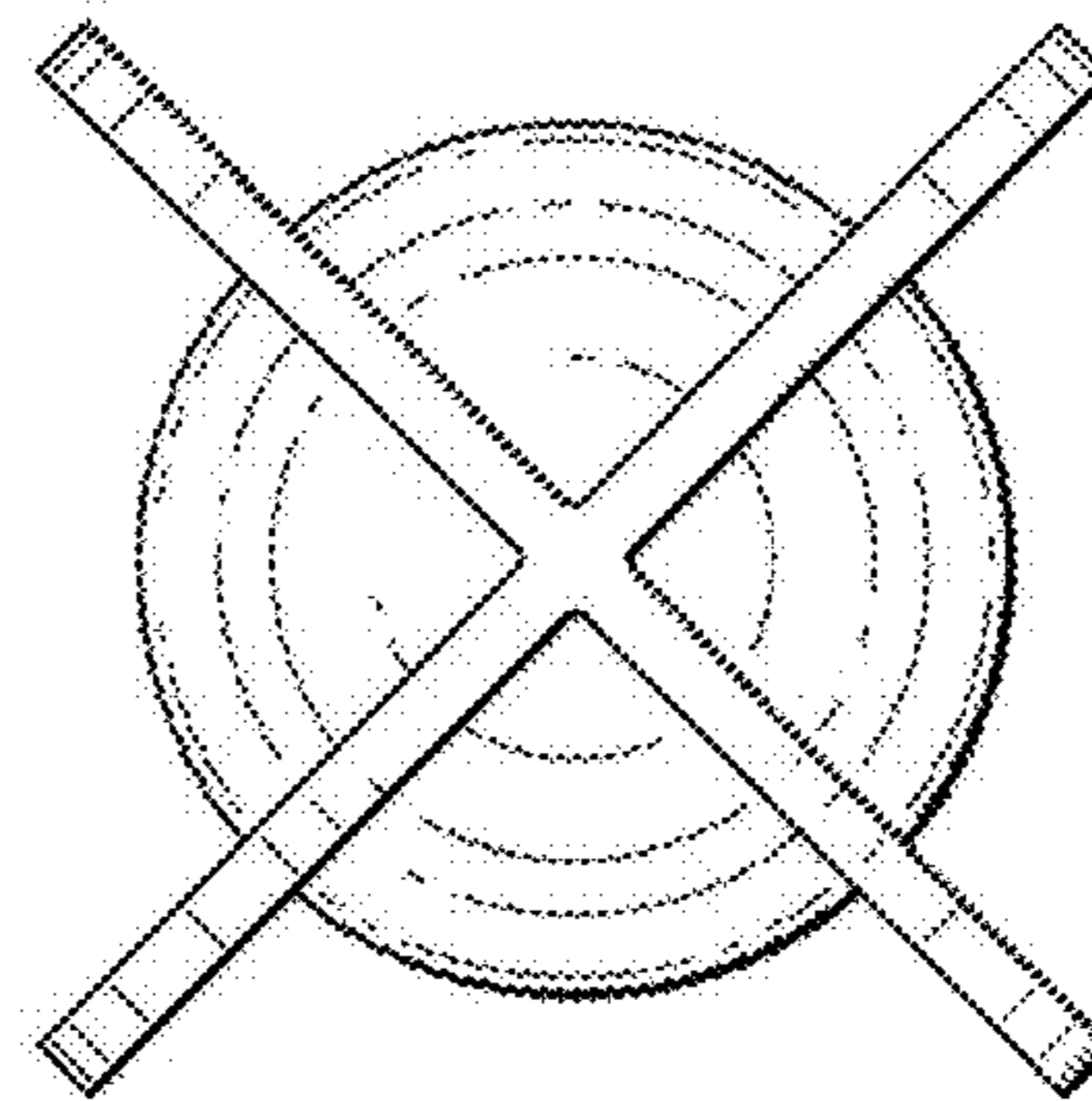
*Fig. 1*

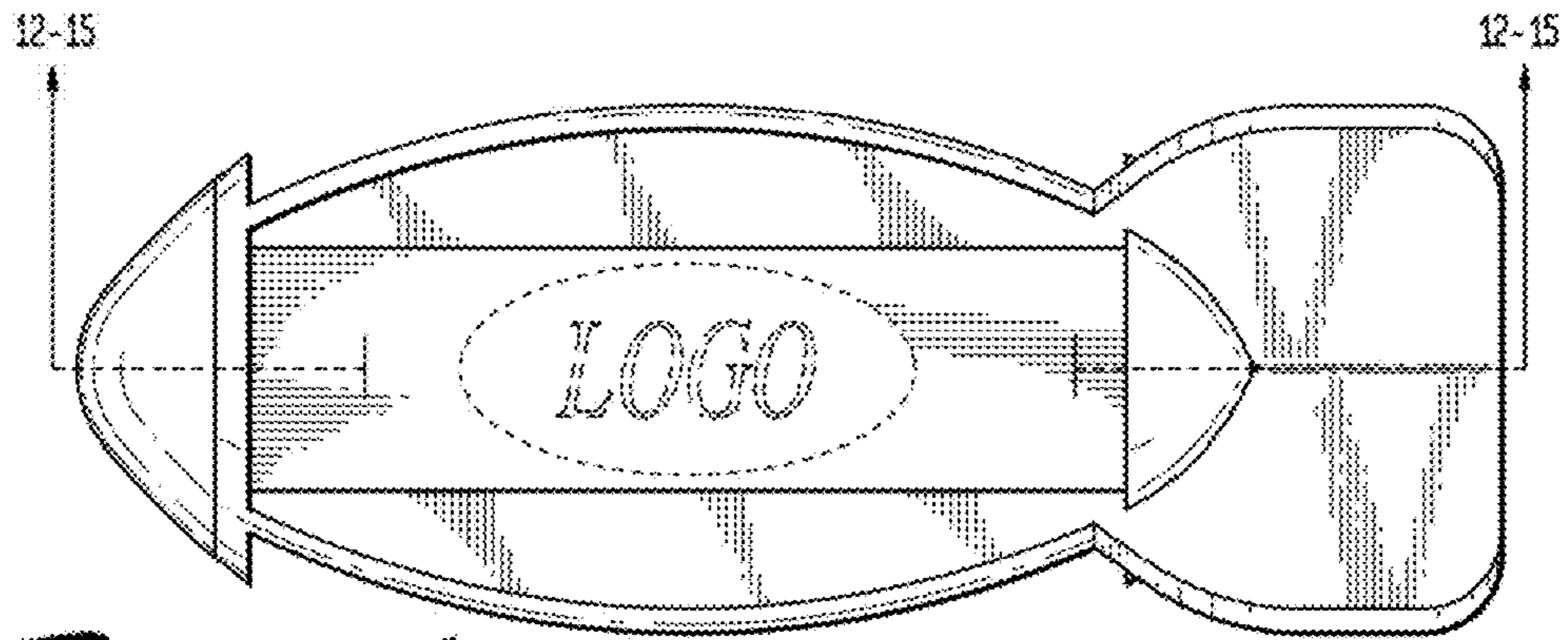


*Fig. 2*



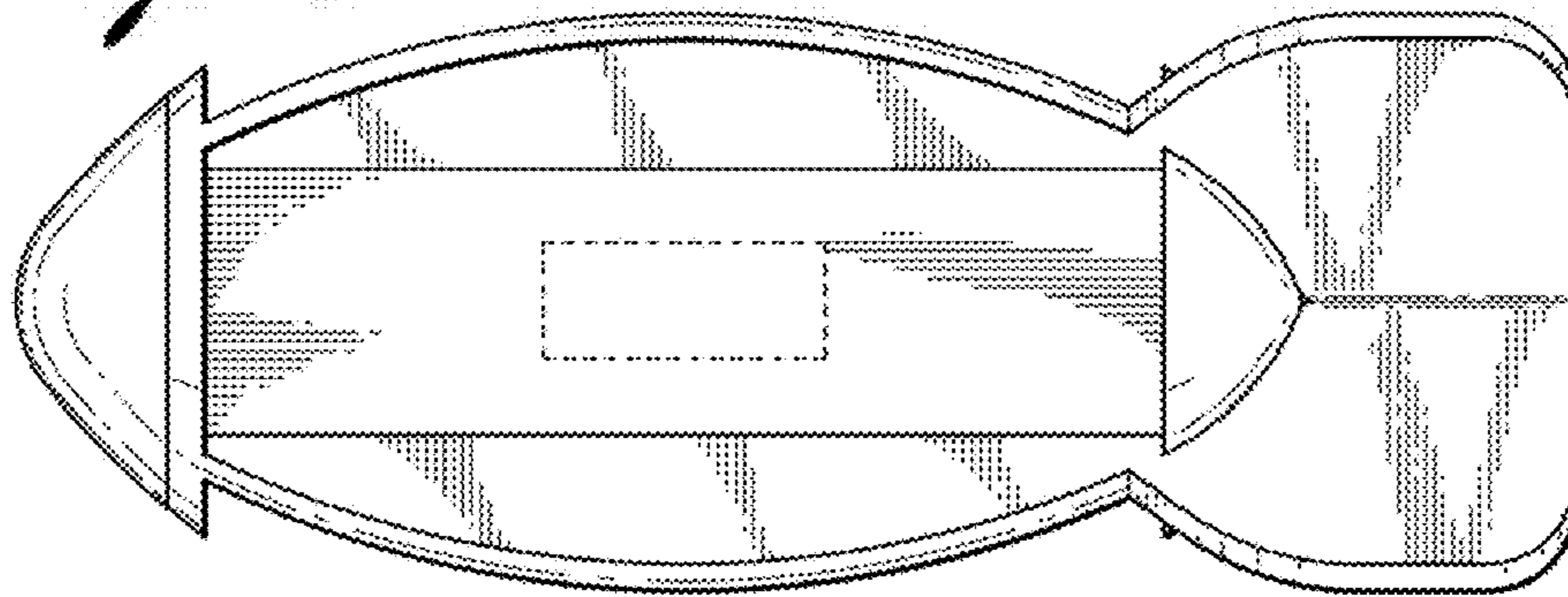
*Fig. 3*



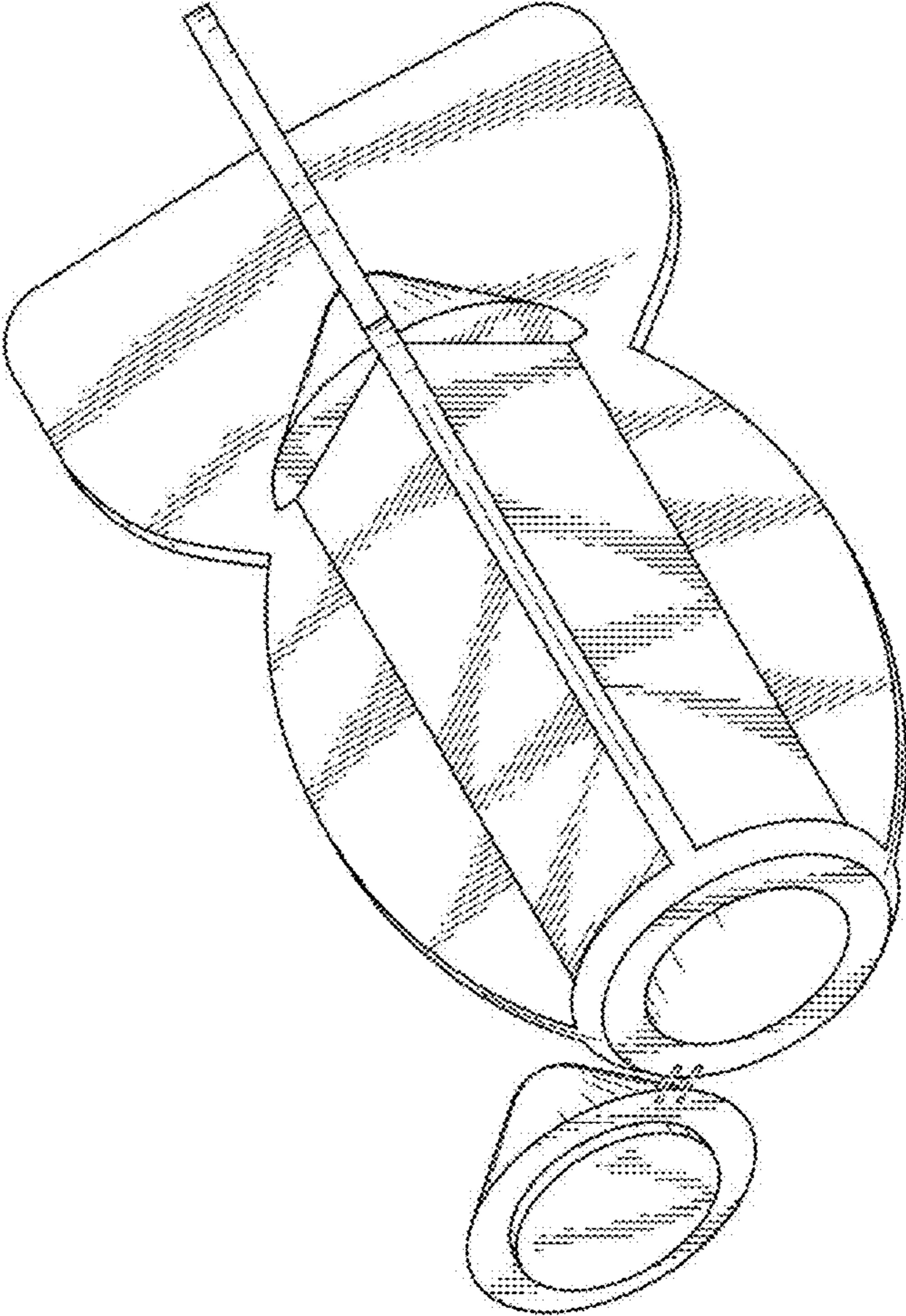


*Fig. 4*

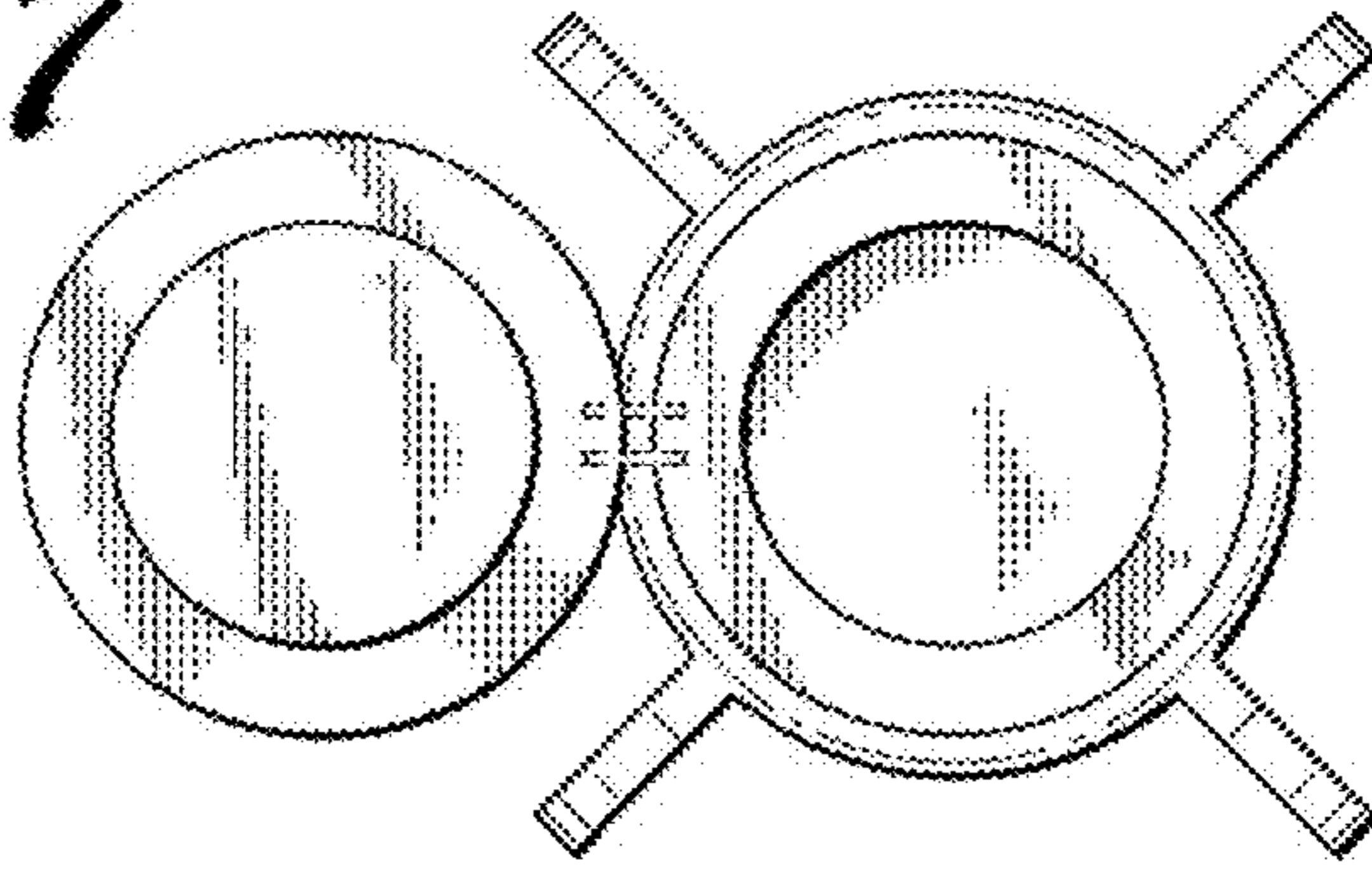
*Fig. 5*



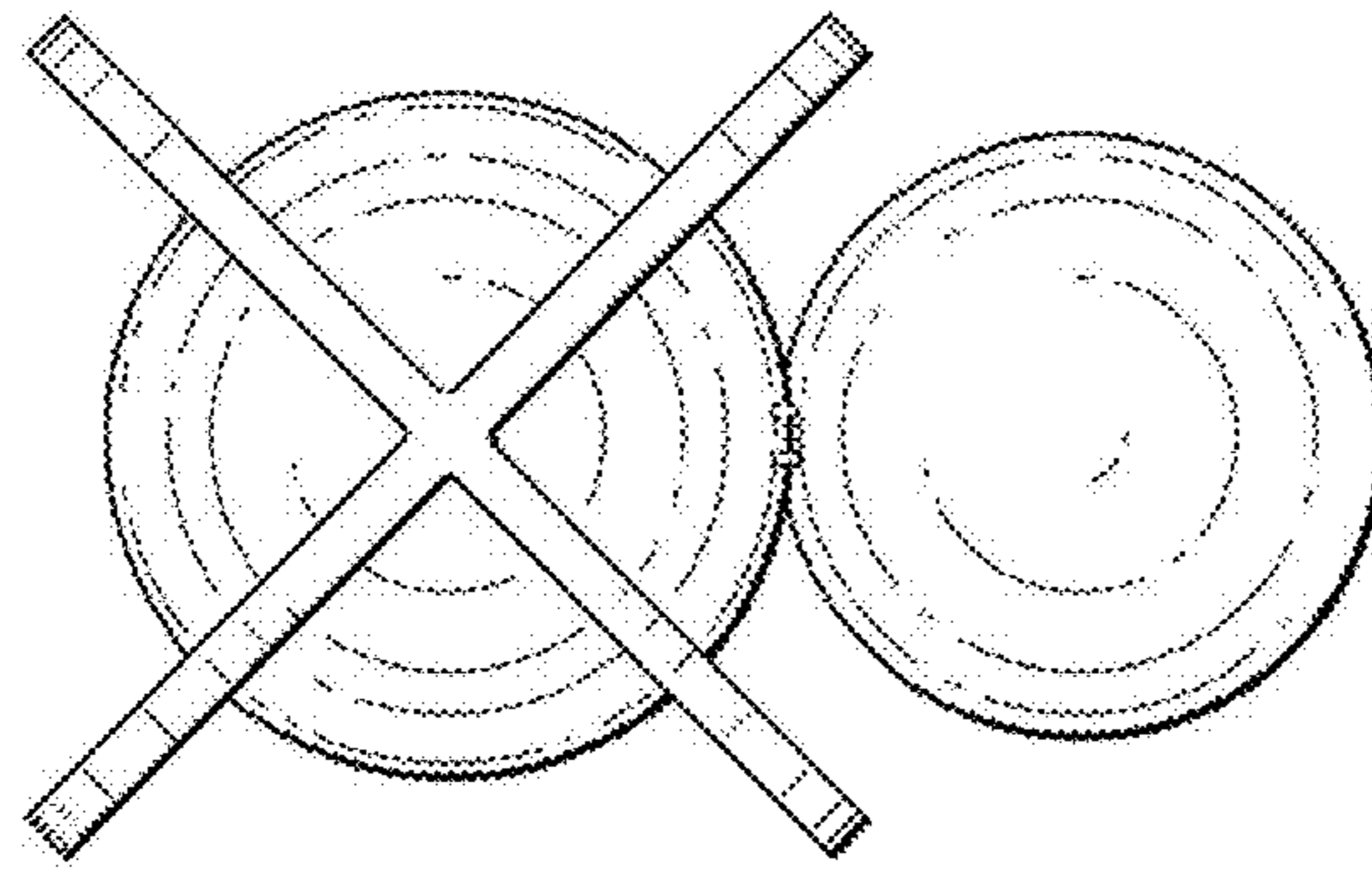
*Fig. 6*



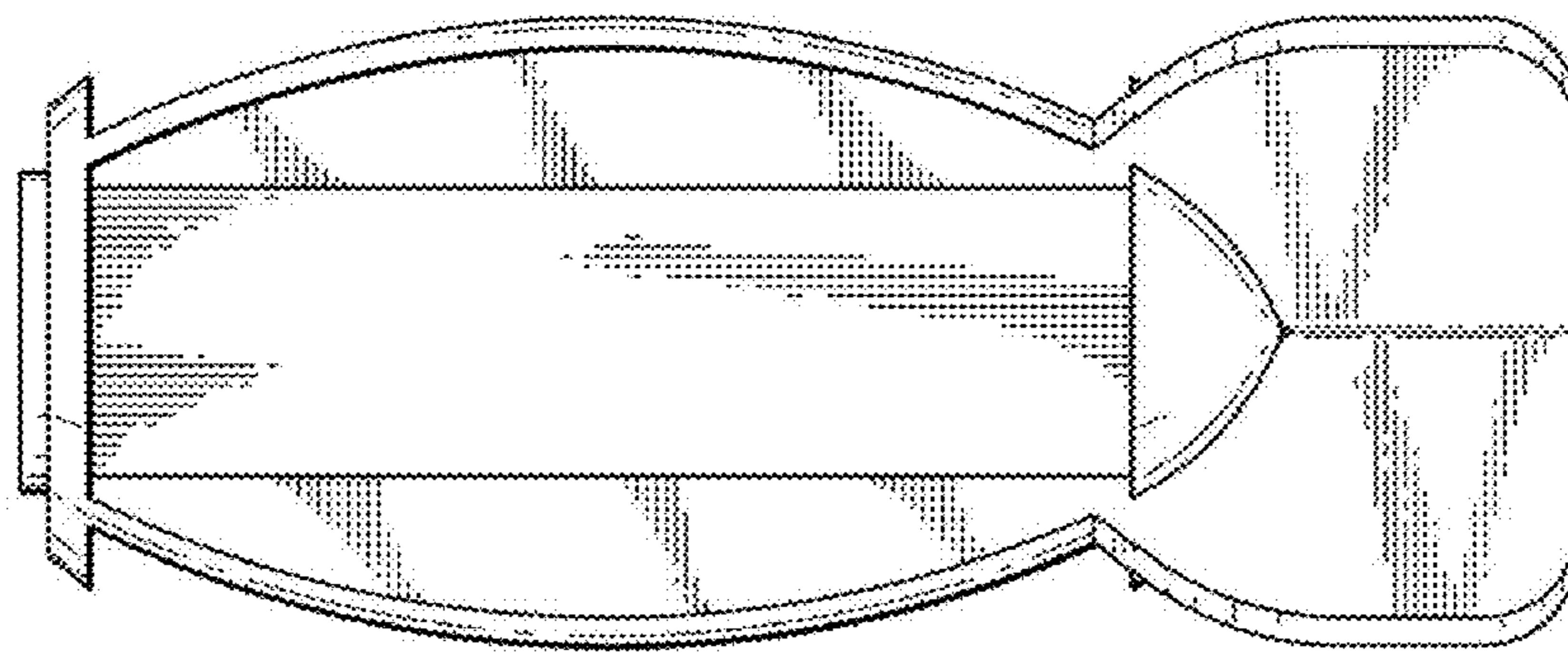
*Fig. 7*



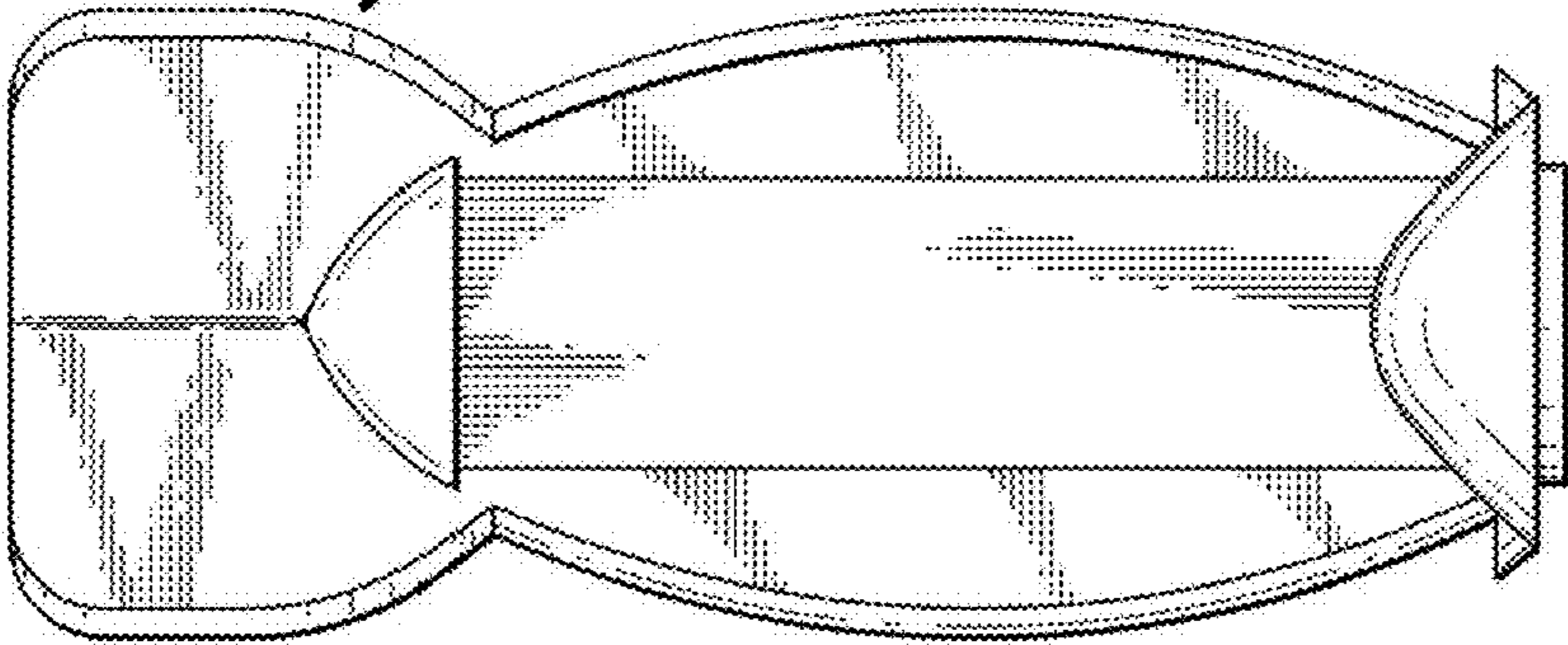
*Fig. 8*



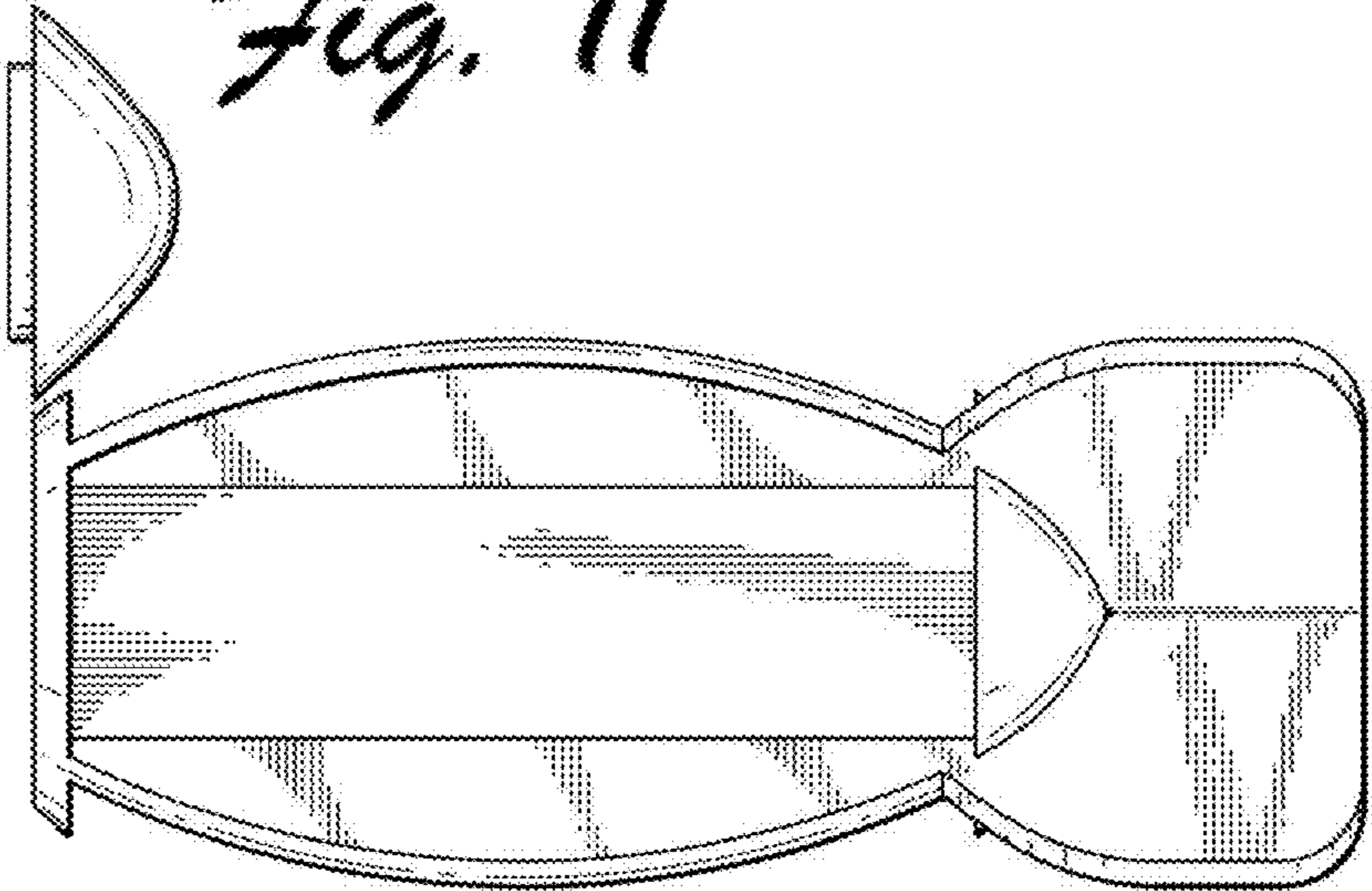
*Fig. 9*



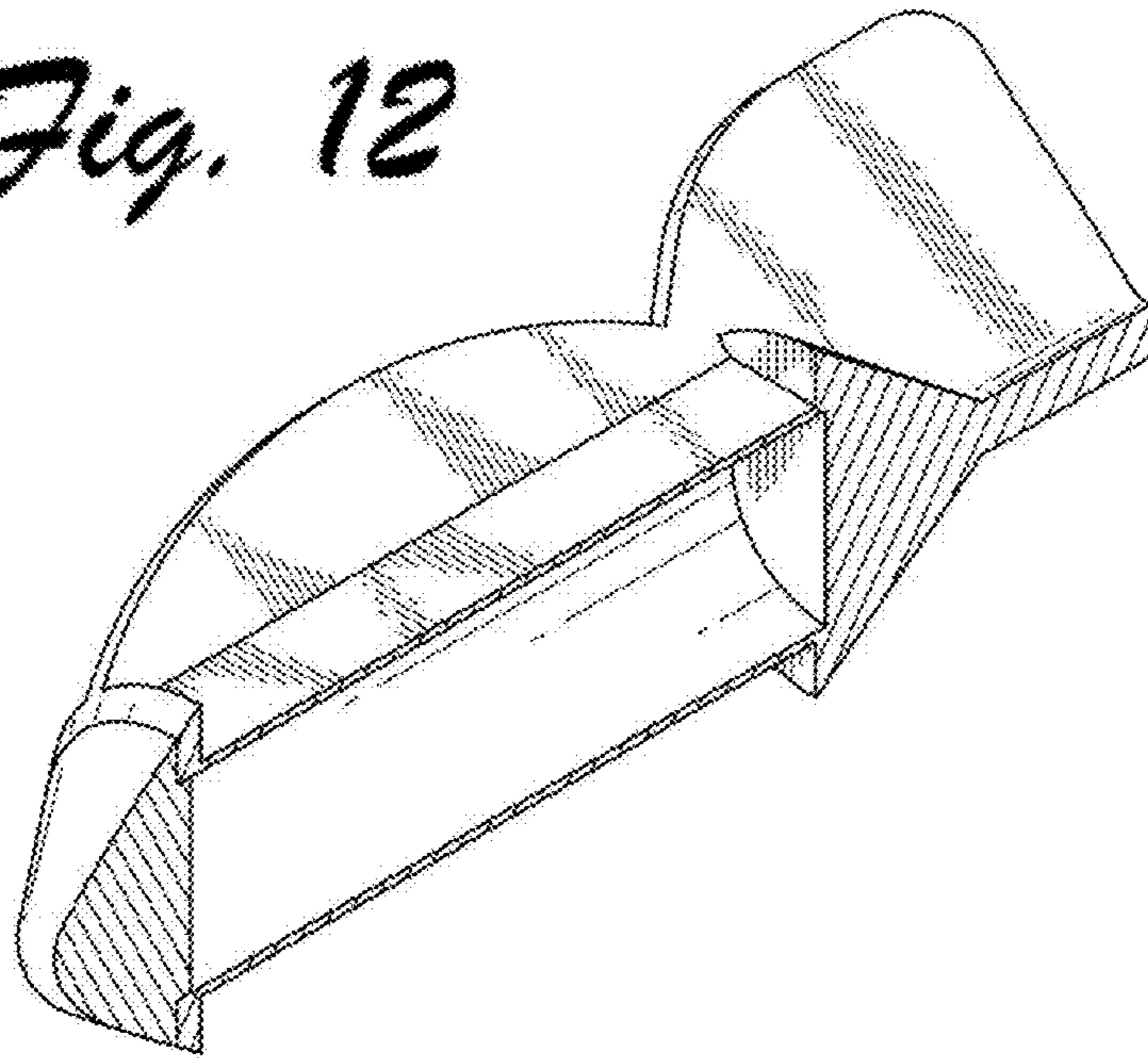
*Fig. 10*



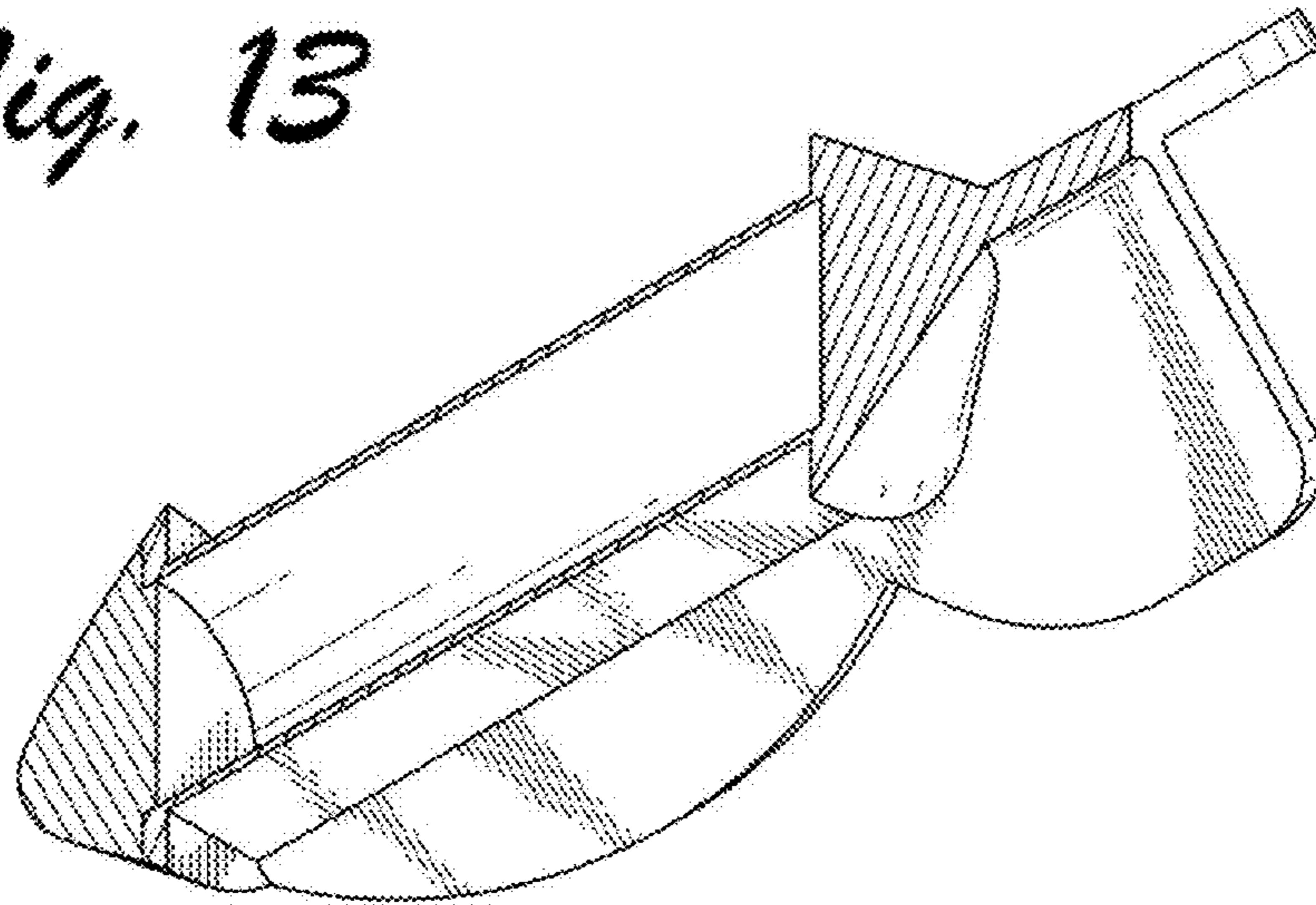
*Fig. 11*



*Fig. 12*

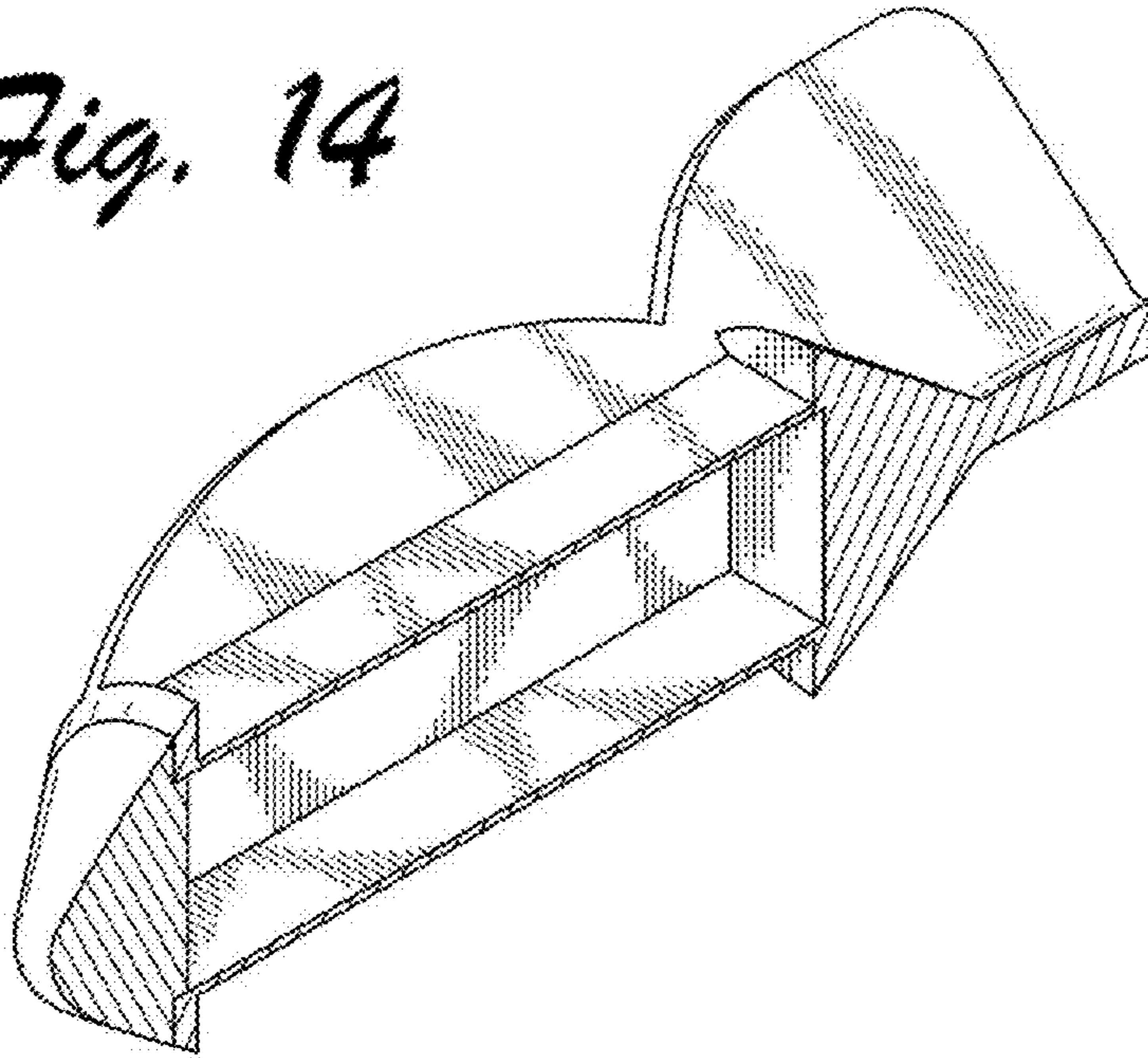


*Fig. 13*





*Fig. 14*



*Fig. 15*

