



US00D717569S

(12) **United States Design Patent**
Davis et al.

(10) **Patent No.:** **US D717,569 S**
(45) **Date of Patent:** **** Nov. 18, 2014**

(54) **STAND WITH DECORATIVE SIDE PANELS**

(56) **References Cited**

(71) Applicant: **Walker Edison Furniture Company, LLC**, Salt Lake City, UT (US)

U.S. PATENT DOCUMENTS

(72) Inventors: **Matthew Davis**, Murray, UT (US); **Brad Bonham**, Draper, UT (US)

D122,687 S *	9/1940	Kranz	D6/657
D182,836 S *	5/1958	Lubberts et al.	D6/657
D196,451 S *	10/1963	McMullen	D6/657
D214,671 S *	7/1969	Thorn et al.	D6/657
D244,112 S *	4/1977	Friedman	D6/657
D244,900 S *	7/1977	Waxman	D6/436
8,118,376 B2 *	2/2012	Watanabe et al.	A47B 81/06
8,419,140 B2 *	4/2013	Ward	A47B 81/06

(73) Assignee: **Walker Edison Furniture Company, LLC**, Salt Lake City, UT (US)

* cited by examiner

(**) Term: **14 Years**

Primary Examiner — Mimosa De

(21) Appl. No.: **29/453,012**

(74) *Attorney, Agent, or Firm* — Workman Nydegger

(22) Filed: **Apr. 24, 2013**

(57) **CLAIM**

The ornamental design for a stand with decorative side panels, as shown and described.

(51) **LOC (10) Cl.** **06-04**

DESCRIPTION

(52) **U.S. Cl.**
USPC **D6/657**

(58) **Field of Classification Search**

CPC A47B 81/06; A47B 87/007; A47B 87/008;
A47B 47/03; A47B 17/04; A47F 2003/00;

FIG. 1 is a front perspective view of a stand with decorative side panels;

FIG. 2 is a top view thereof;

FIG. 3 is a front view thereof;

FIG. 4 is a left side view thereof; and,

FIG. 5 is a right side view thereof.

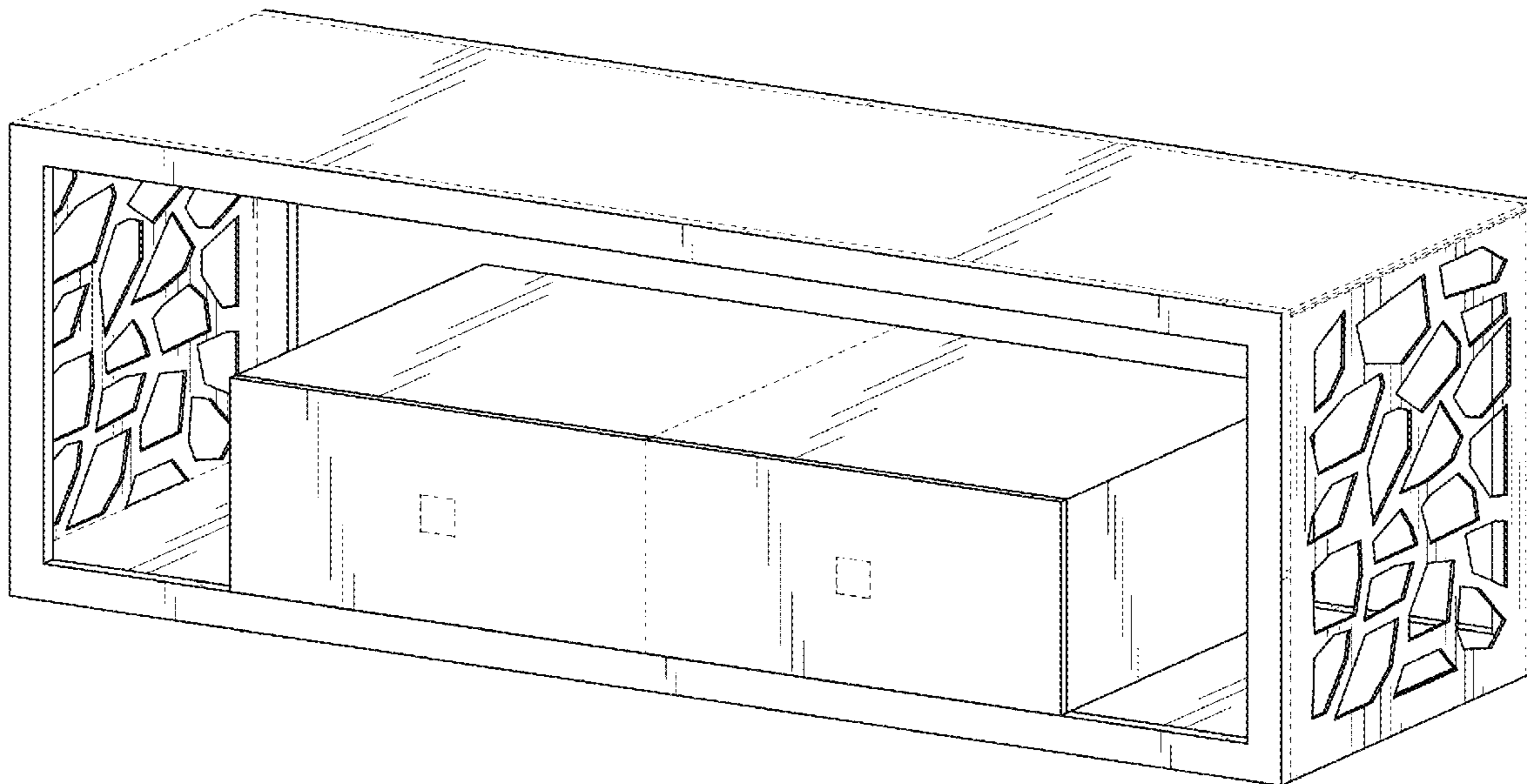
The broken lines showing environment in the drawings are included for illustrative purposes only and form no part of the claimed design.

A47F 3/00
USPC D6/657, 662, 662.1, 675, 675.1, 703;

297/7.2, 114, 204, 237, 257.1

See application file for complete search history.

1 Claim, 2 Drawing Sheets



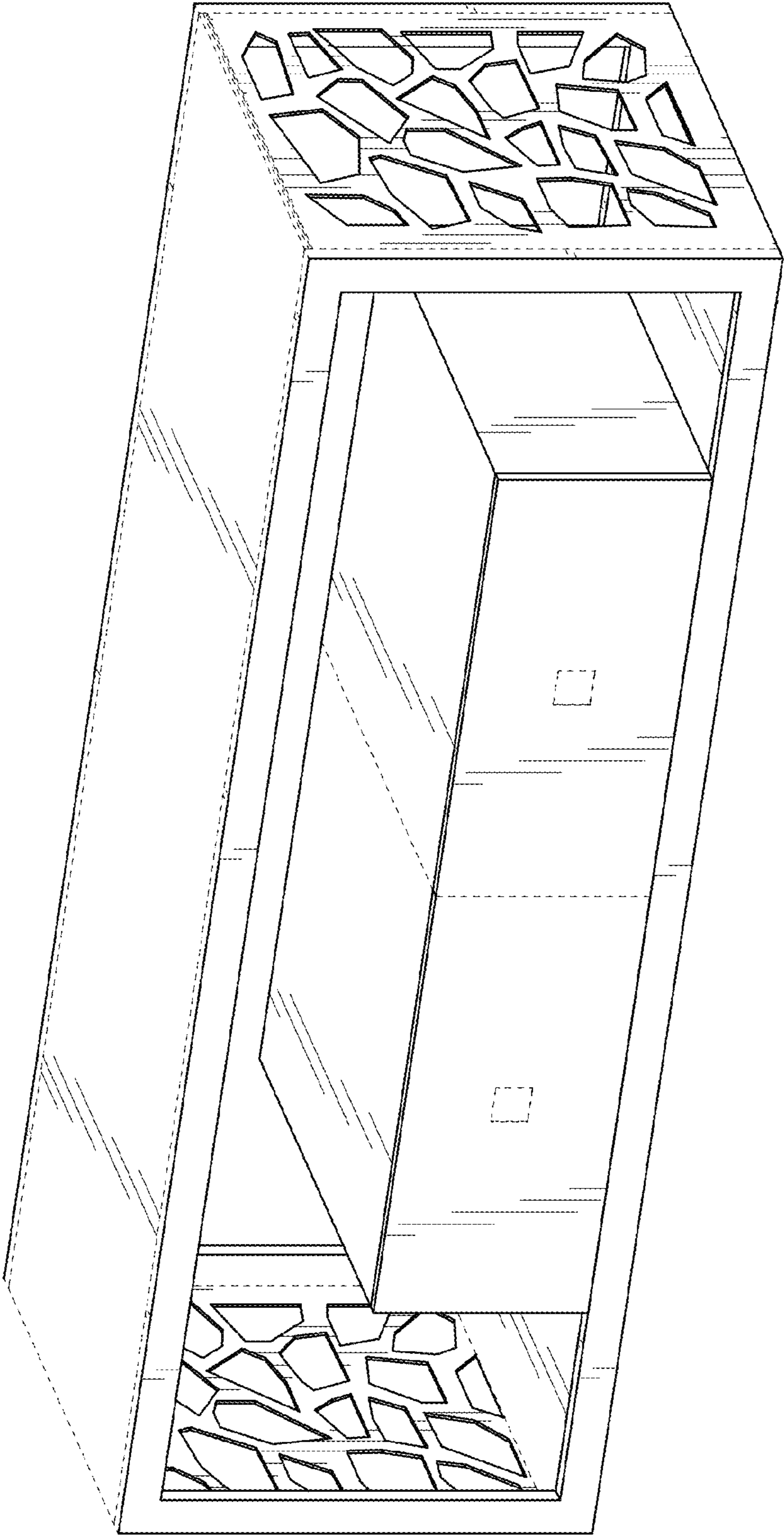


FIG. 1

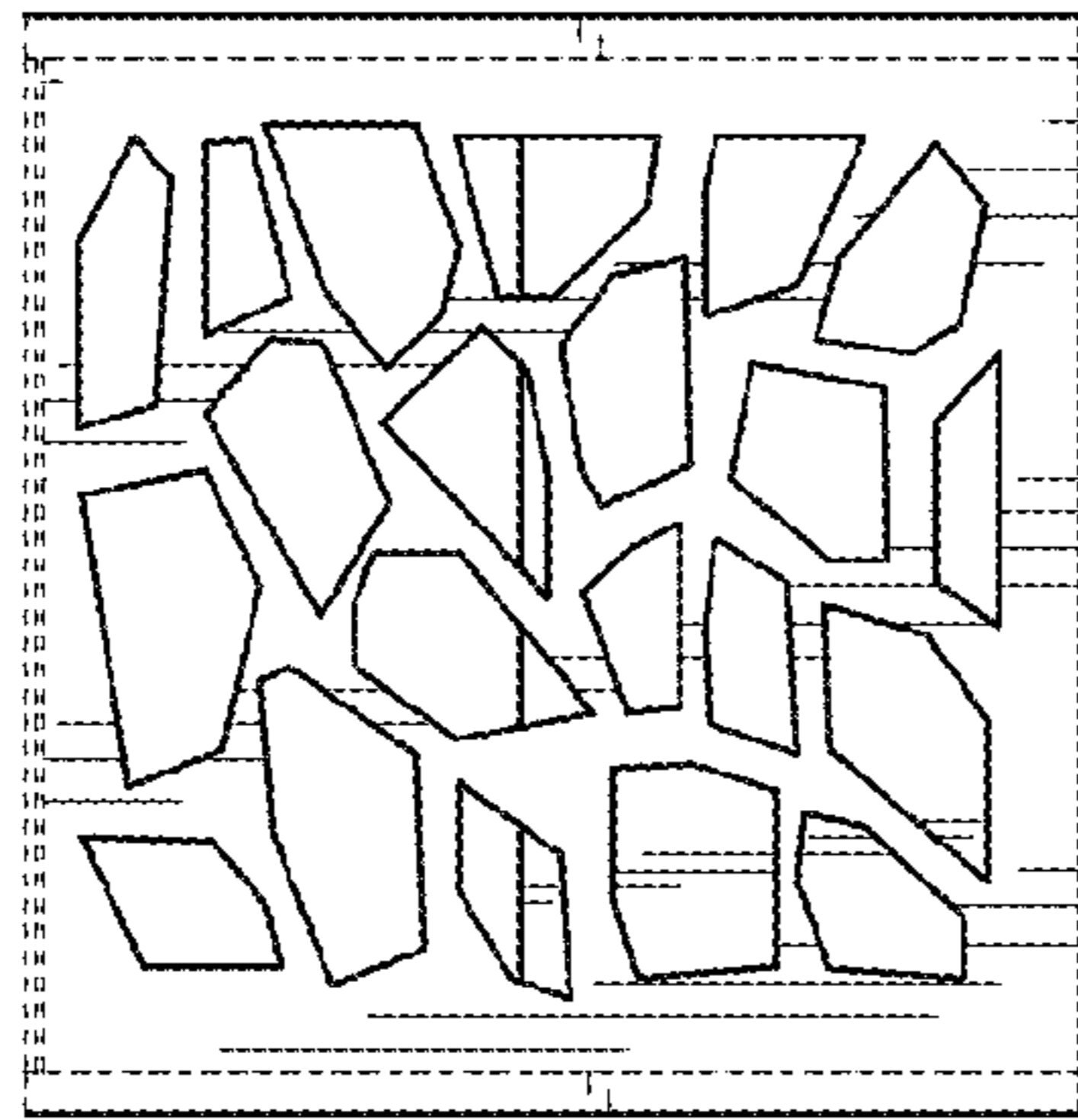


FIG. 4

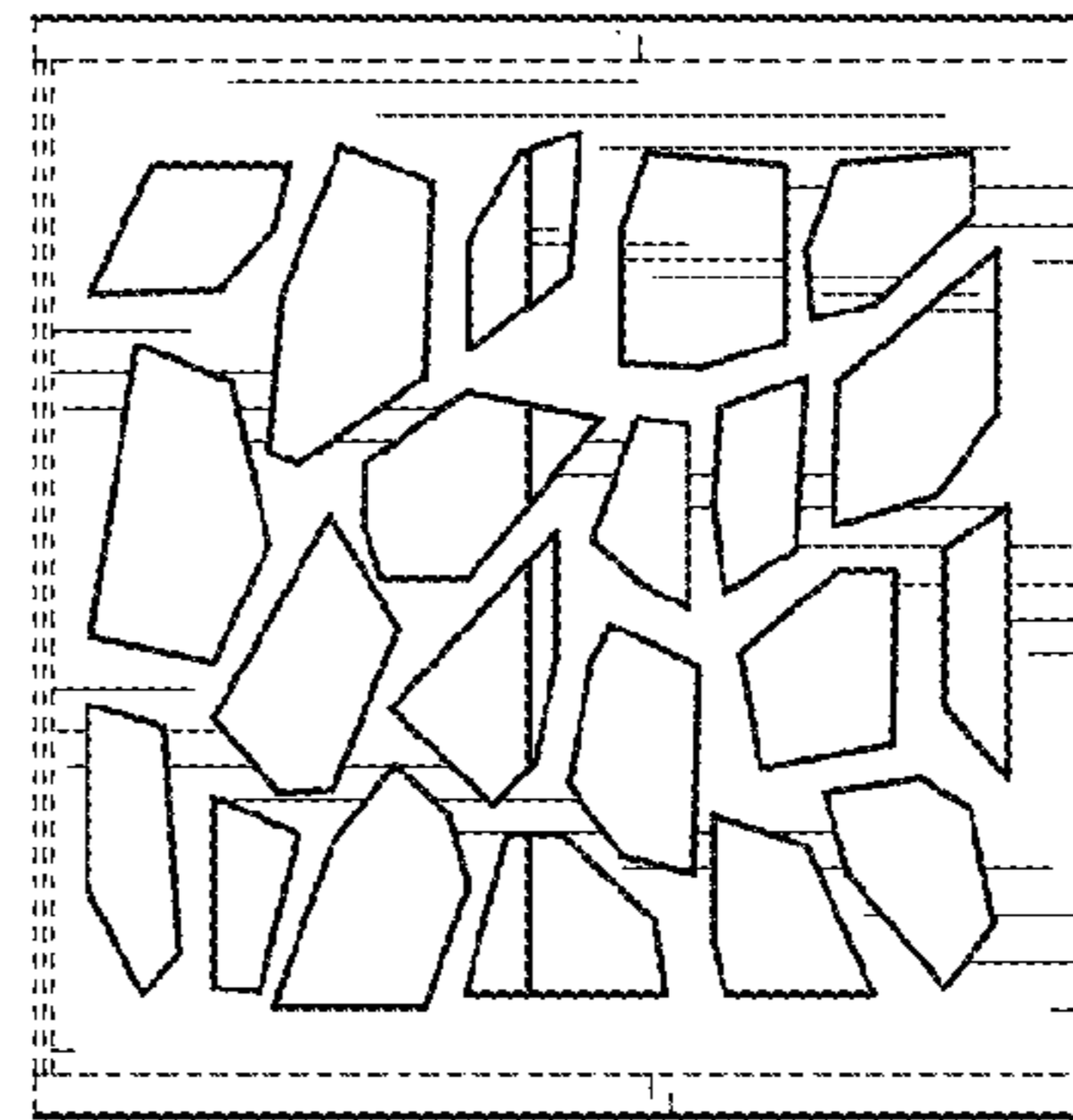


FIG. 5

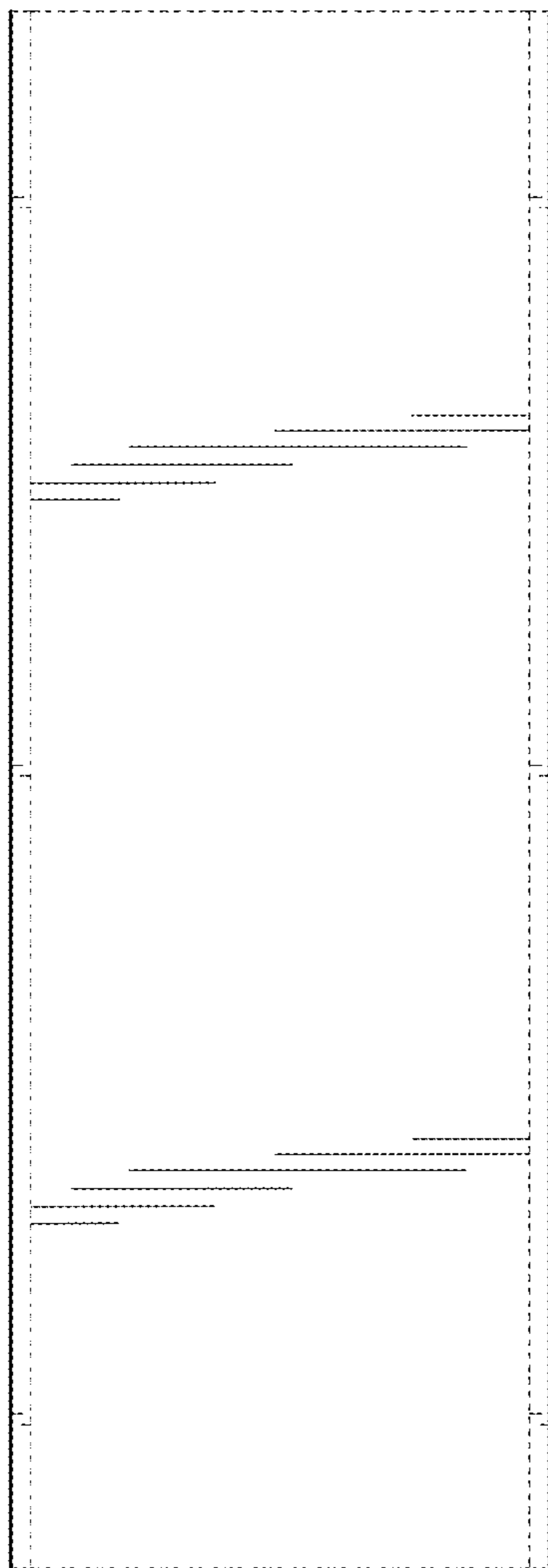


FIG. 2

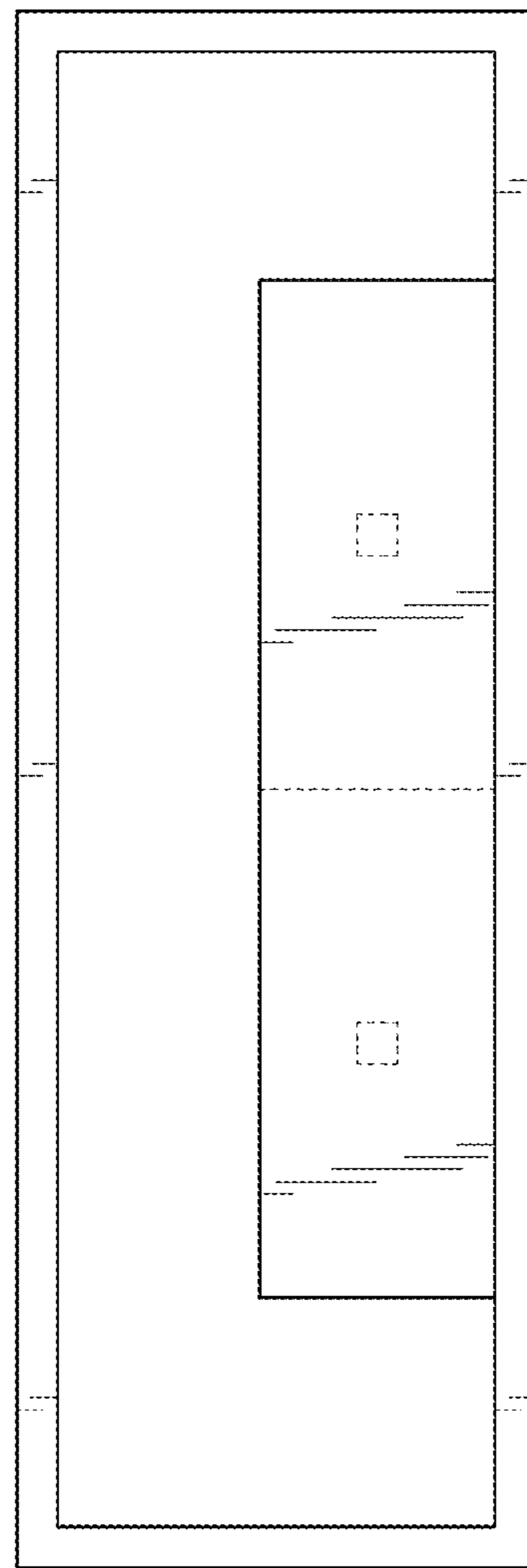


FIG. 3