



US00D717567S

(12) **United States Design Patent**
Bloomquist et al.

(10) **Patent No.:** **US D717,567 S**
(45) **Date of Patent:** **** Nov. 18, 2014**

(54) **MAGNETIC CONTAINER FOR STORAGE OF SAFETY EQUIPMENT**

(71) Applicants: **Hadley Bloomquist**, Pine City, MN (US); **Christine Bloomquist**, Pine City, MN (US)

(72) Inventors: **Hadley Bloomquist**, Pine City, MN (US); **Christine Bloomquist**, Pine City, MN (US)

(**) Term: **14 Years**

(21) Appl. No.: **29/436,977**

(22) Filed: **Nov. 12, 2012**

(51) **LOC (10) Cl.** **06-04**

(52) **U.S. Cl.**
USPC **D6/559**

(58) **Field of Classification Search**
USPC D6/524, 525, 559, 527; D3/201, 205, D3/315, 211, 271.1, 200; D9/516, 520, D9/529, 560, 414, 424, 432, 600, 629, D9/700; D28/76, 83, 91; D19/95; 206/551, 206/457, 746, 784, 822, 581, 361, 208, 209, 206/209.1; 209/100, 110, 112, 113, 115, 209/116; D27/73, 74, 75, 76
See application file for complete search history.

(56) **References Cited**

U.S. PATENT DOCUMENTS

D257,091 S 9/1980 Crosbie, Sr.
D259,160 S 5/1981 Crosbie, Sr.

4,764,835 A 8/1988 Bowman
D306,947 S 4/1990 Sanfilippo
D484,725 S * 1/2004 Howard D6/559
7,114,754 B2 10/2006 Morello
7,188,846 B2 3/2007 Deavila
D652,662 S * 1/2012 Spoljaric et al. D6/559
D675,385 S * 1/2013 Pita de Olim D6/559
D682,592 S * 5/2013 McKenna D6/559
2004/0020814 A1 2/2004 Mousset et al.
2004/0251802 A1 12/2004 Sessano et al.

* cited by examiner

Primary Examiner — Brian N Vinson

(74) *Attorney, Agent, or Firm* — Robert C. Montgomery; Montgomery Patent & Design

(57) **CLAIM**

The ornamental design for a magnetic container for storage of safety equipment, as shown and described.

DESCRIPTION

FIG. 1 is a perspective front view of a magnetic container for storage of safety equipment in an open state, showing our new design;

FIG. 2 is a front view of FIG. 1;

FIG. 3 is a rear view of FIG. 1;

FIG. 4 is a left view of FIG. 1, with a right view being a mirror image;

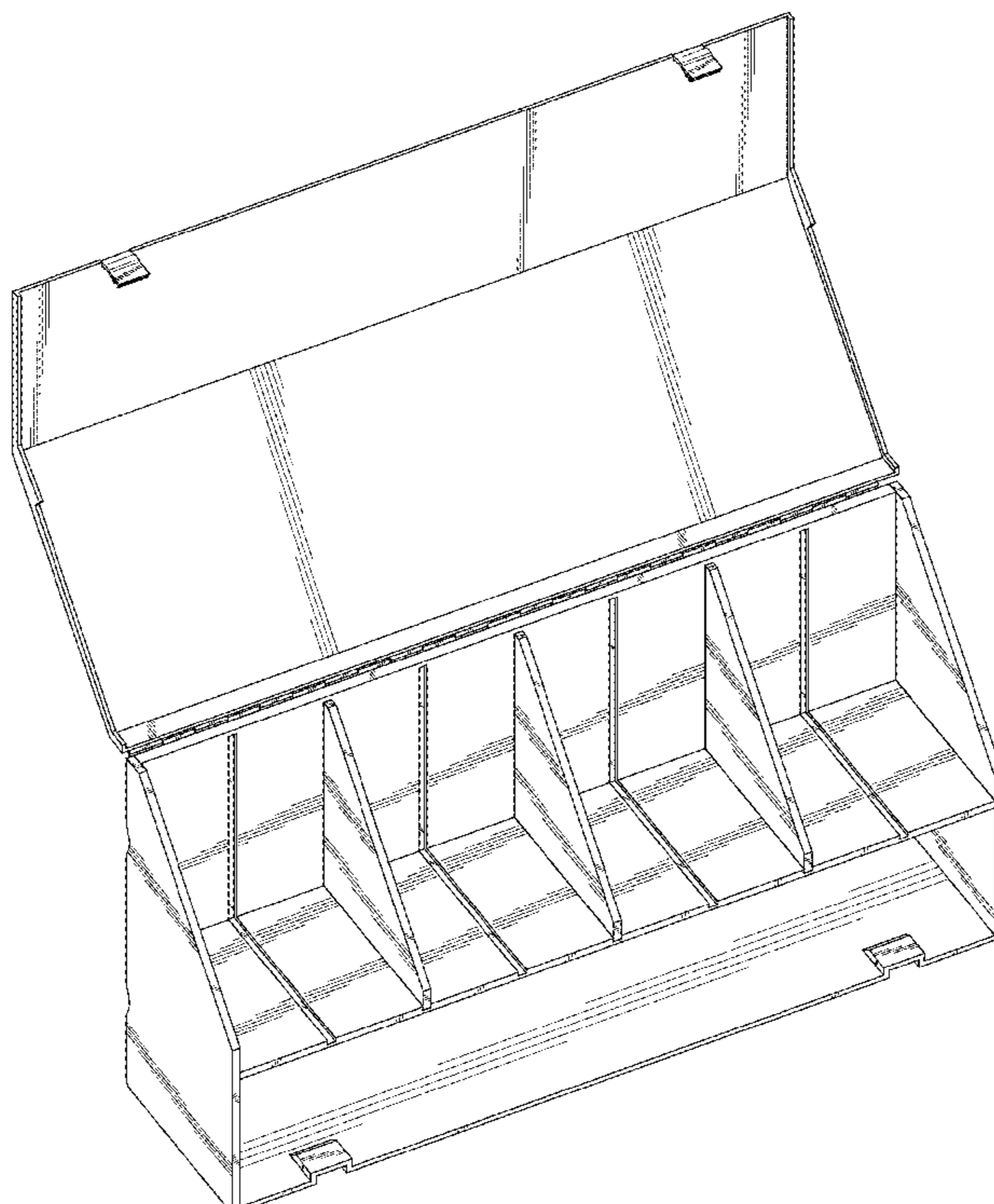
FIG. 5 is a top view of FIG. 1;

FIG. 6 is a bottom view of FIG. 1;

FIG. 7 is a perspective front view of a magnetic container for storage of safety equipment in a closed state; and,

FIG. 8 is a perspective rear view of a magnetic container for storage of safety equipment in a closed state.

1 Claim, 8 Drawing Sheets



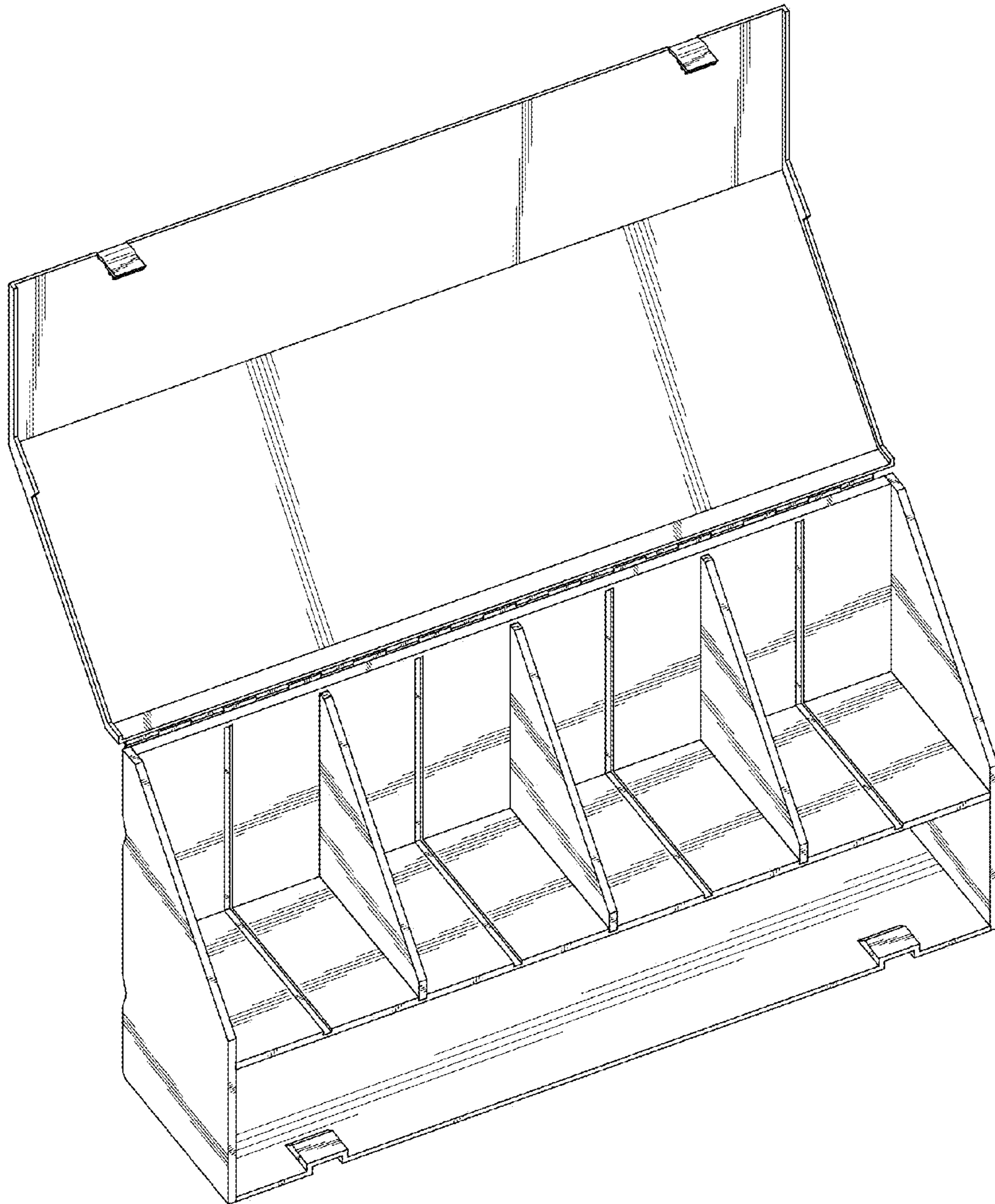


Fig. 1

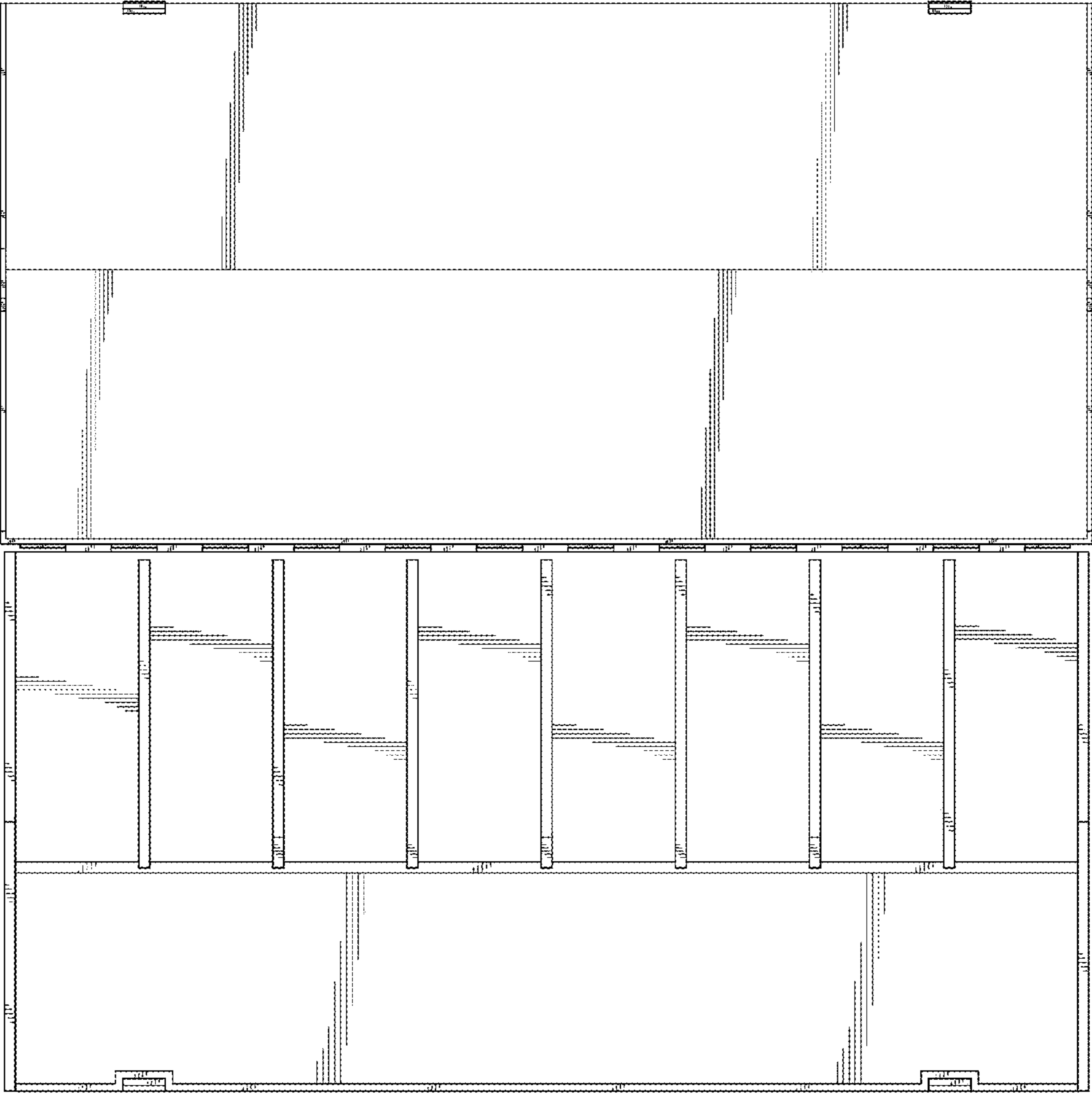


Fig. 2

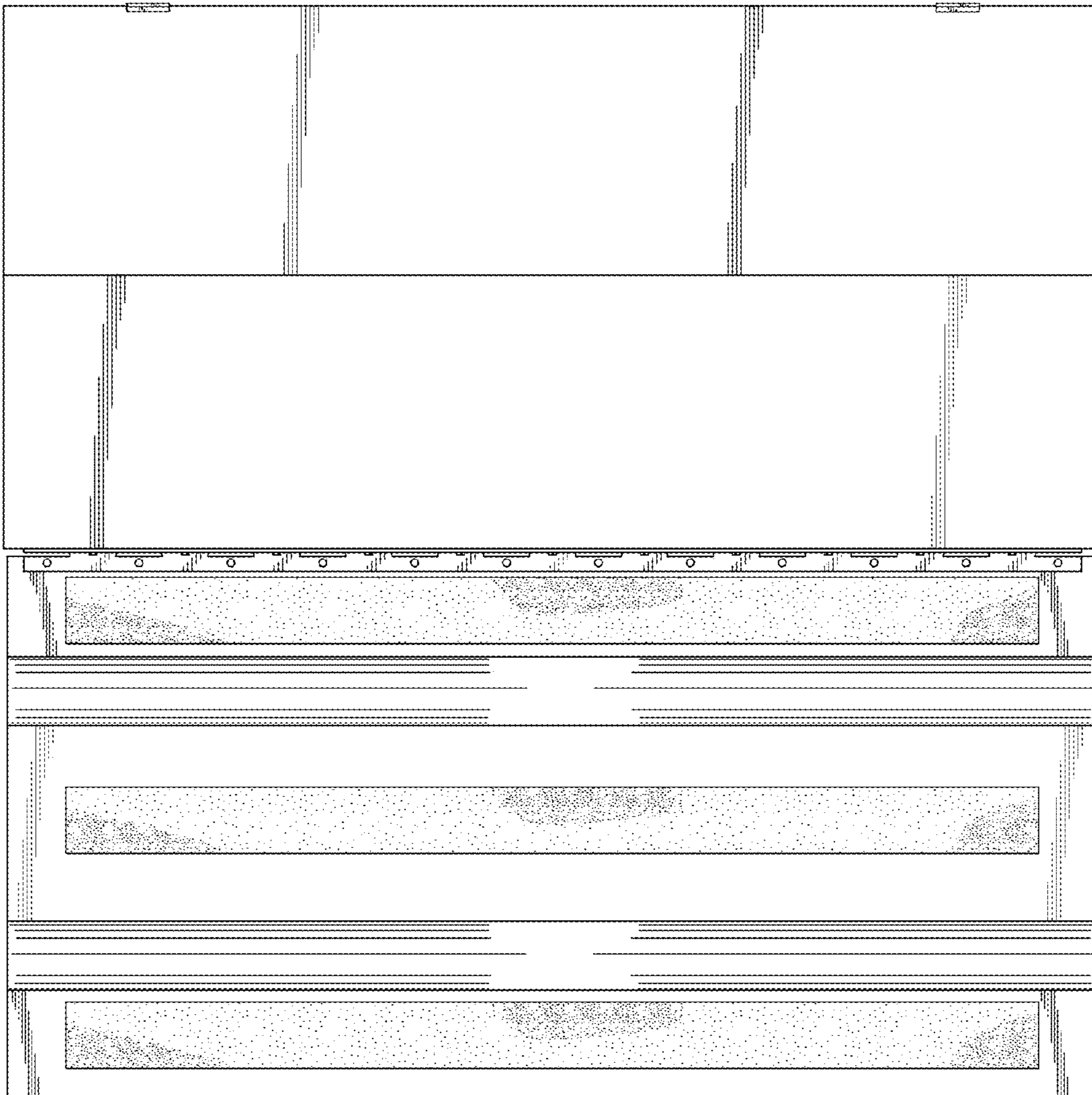


Fig. 3

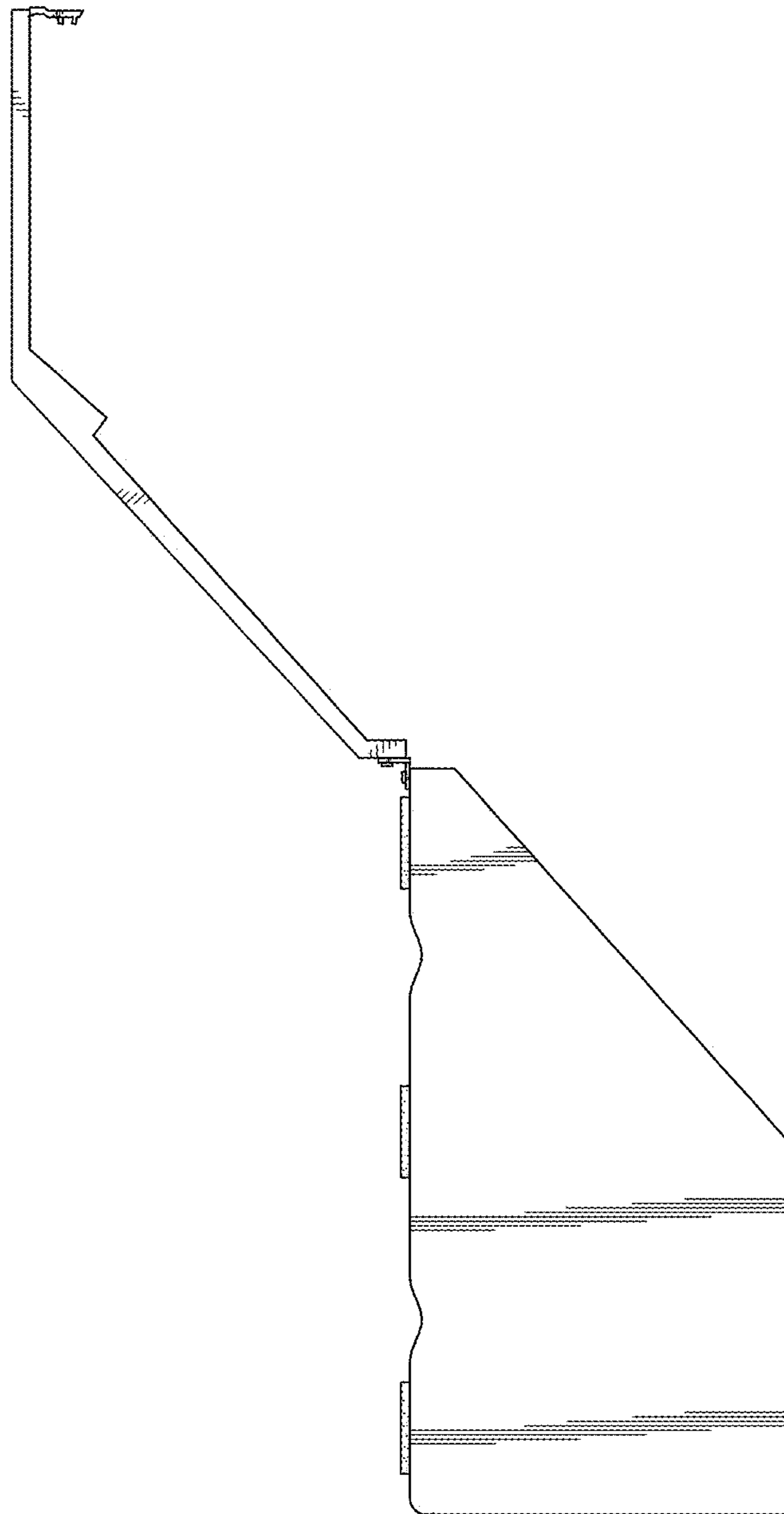


Fig. 4

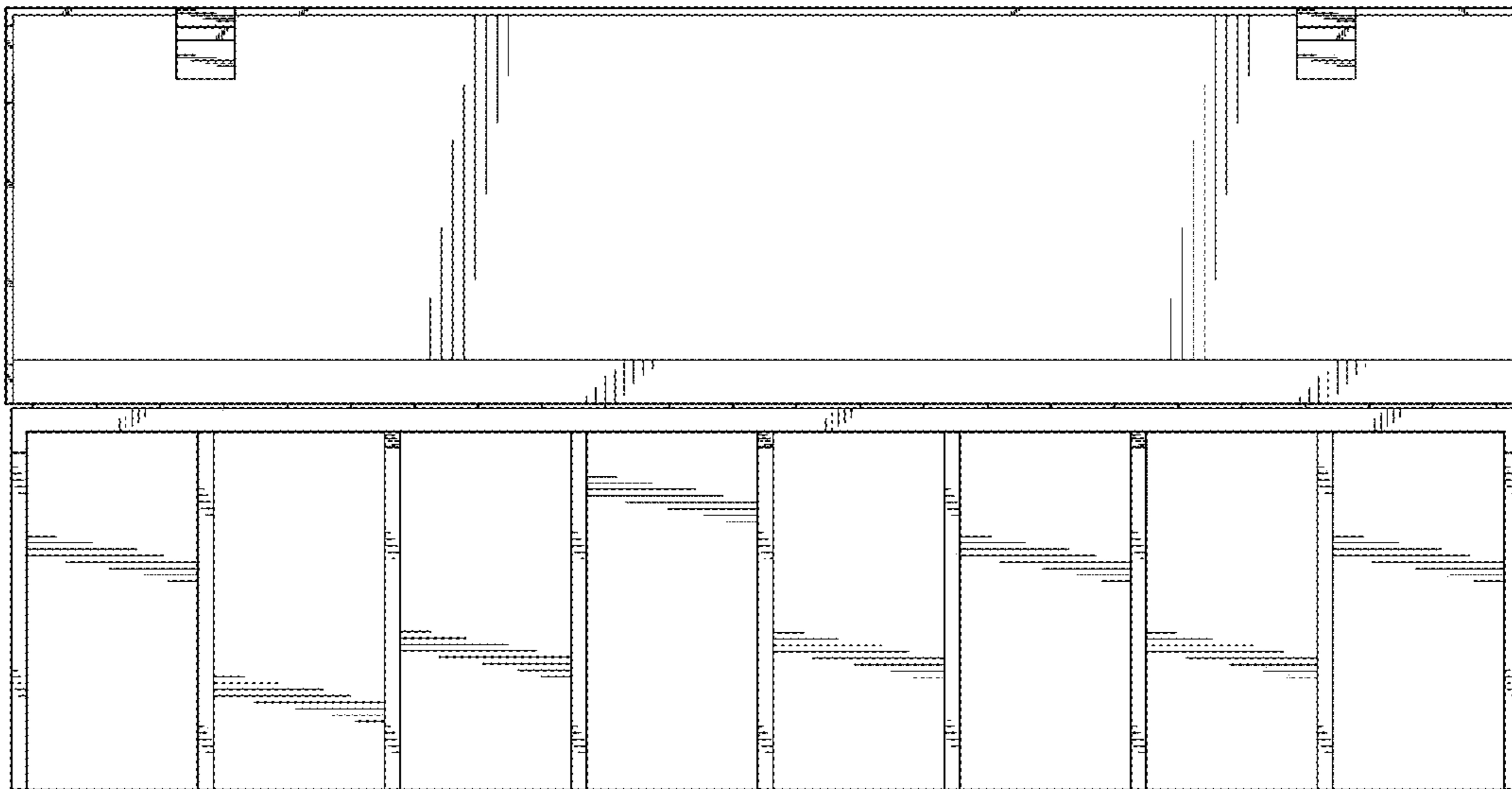


Fig. 5

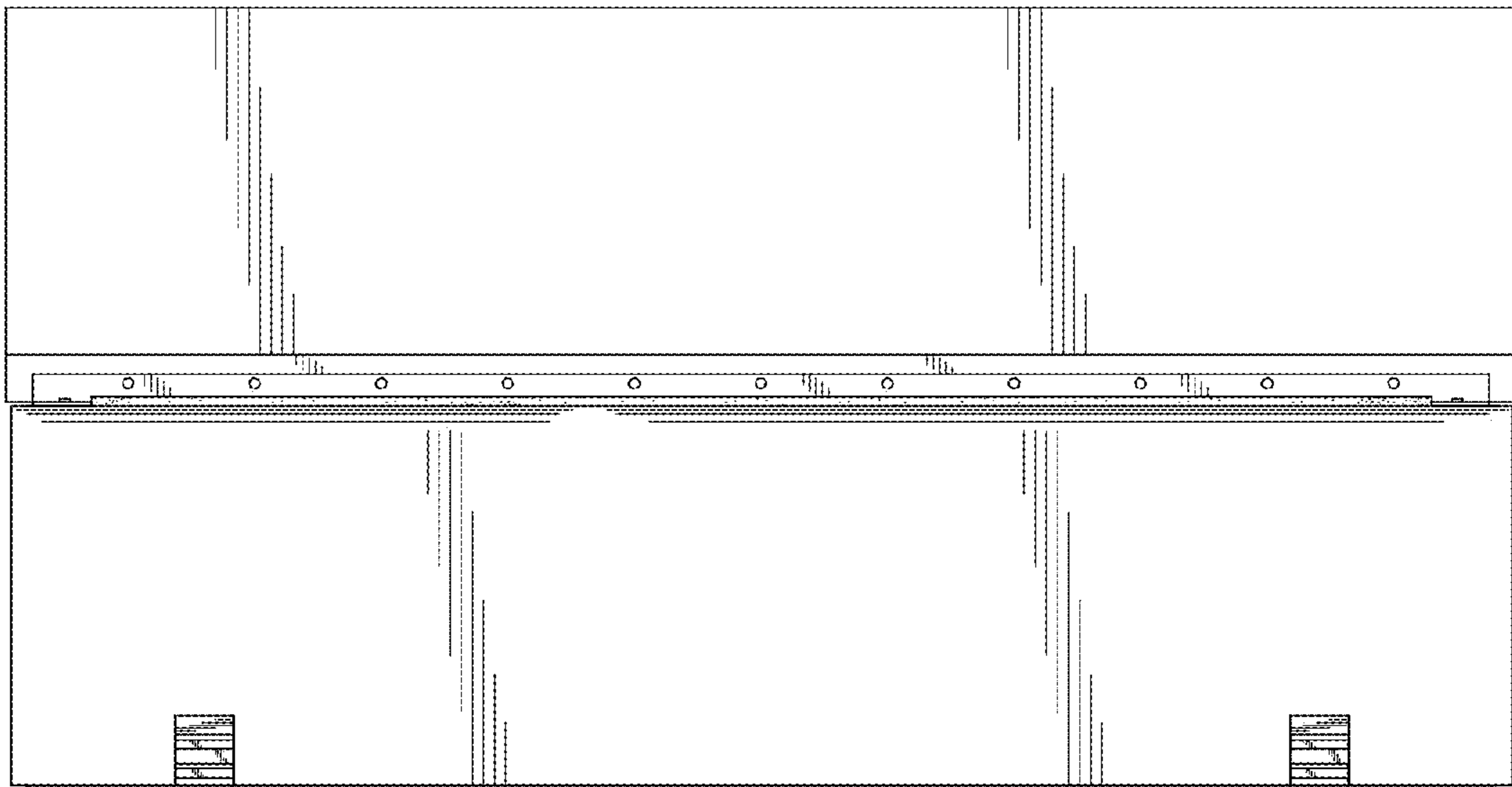


Fig. 6

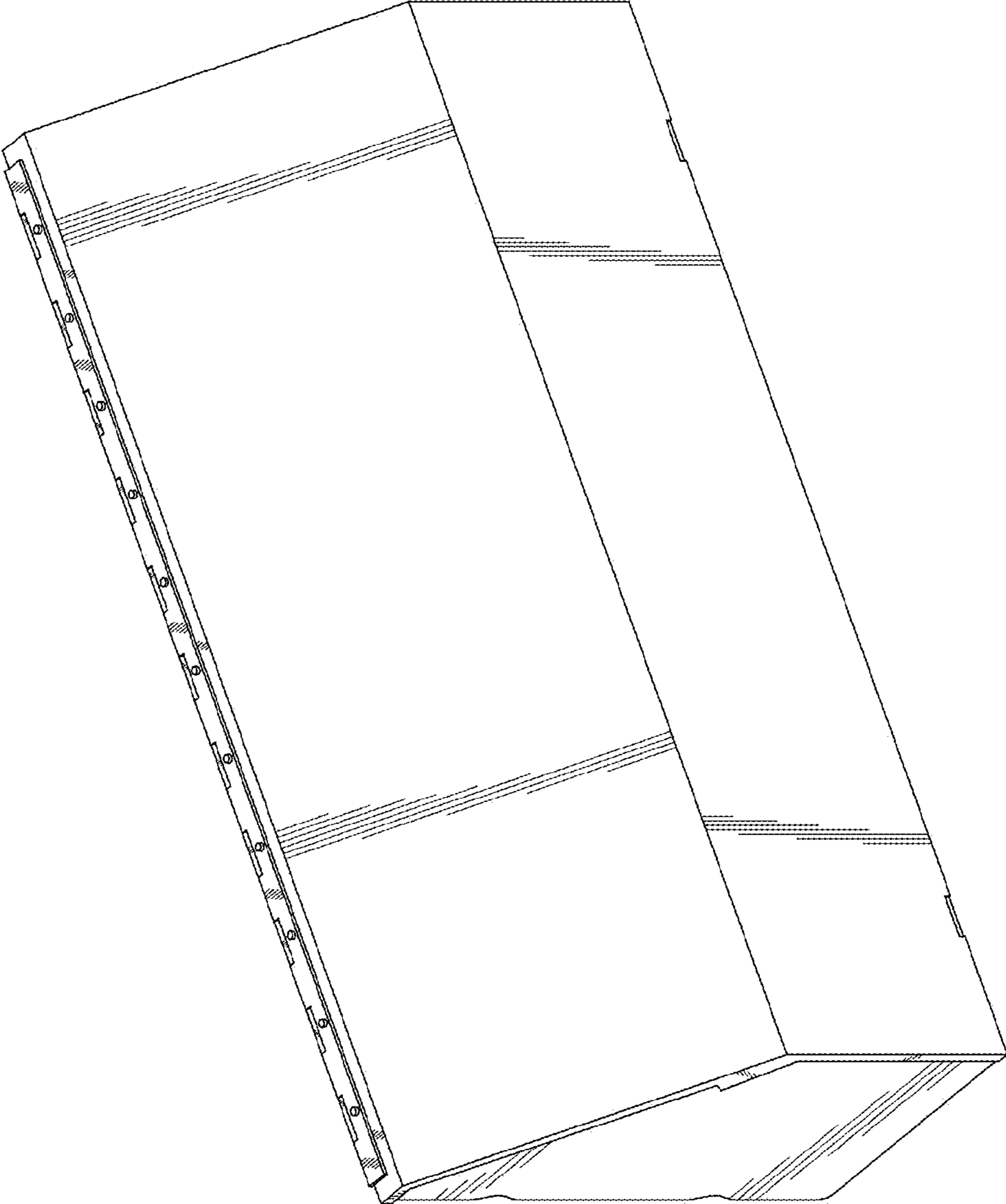


Fig. 7

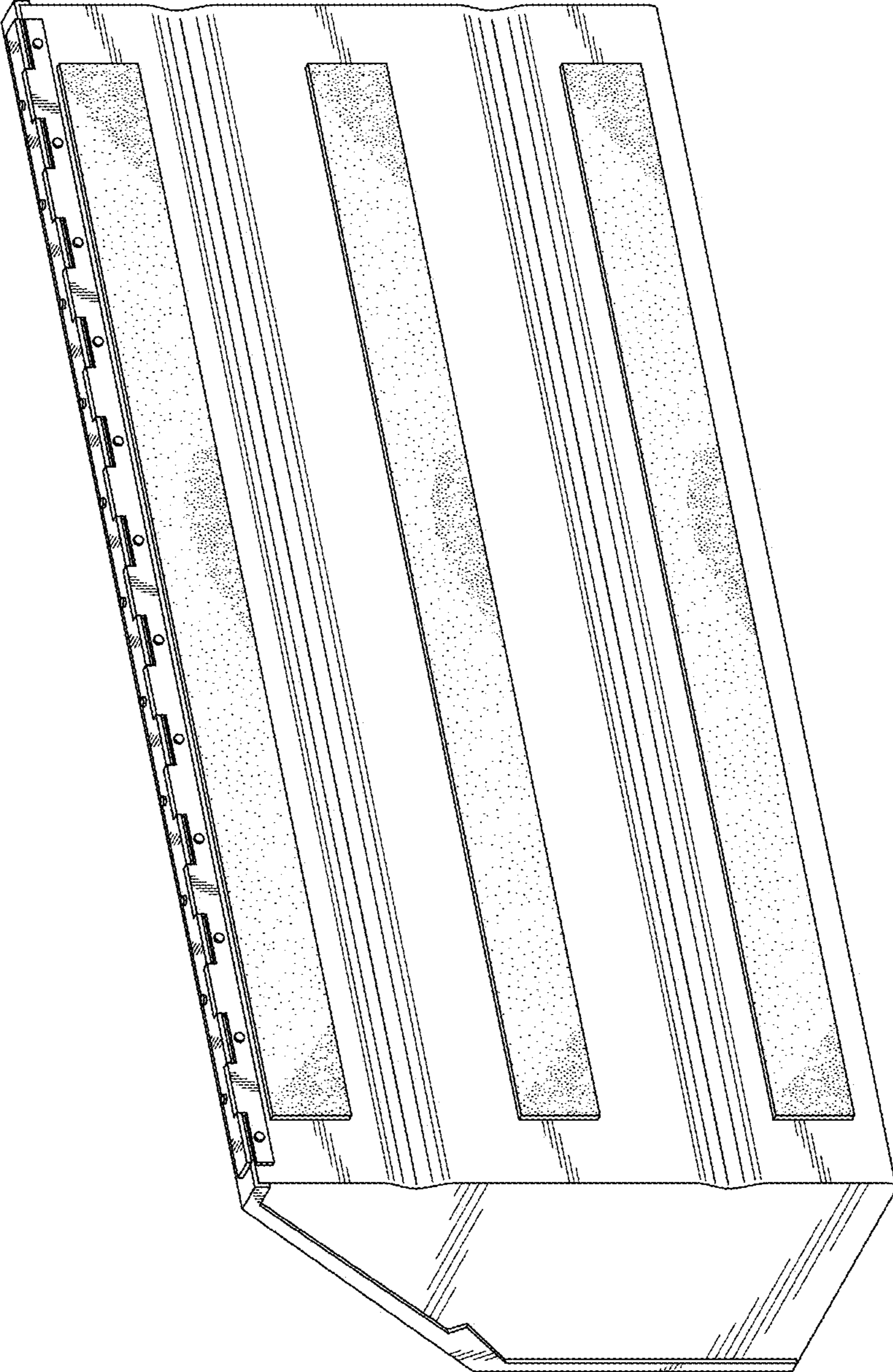


Fig. 8