



US00D717565S

(12) **United States Design Patent**  
**Goodman et al.**

(10) **Patent No.:** **US D717,565 S**  
(45) **Date of Patent:** **\*\* Nov. 18, 2014**

(54) **DOUBLE TOWEL BAR**

(71) Applicant: **Spectrum Diversified Designs, Inc.**,  
Streetsboro, OH (US)

(72) Inventors: **Sheldon H. Goodman**, Solon, OH (US);  
**Phaysouk Xayoiphonh**, Akron, OH  
(US)

(73) Assignee: **Spectrum Diversified Designs, Inc.**,  
Streetsboro, OH (US)

(\*\*) Term: **14 Years**

(21) Appl. No.: **29/492,373**

(22) Filed: **May 30, 2014**

(51) **LOC (10) Cl.** ..... **06-04**

(52) **U.S. Cl.**

USPC ..... **D6/549; D6/513**

(58) **Field of Classification Search**

USPC ..... D6/512-514, 553, 567, 548, 549;  
211/13.1, 34-39, 85.31, 113, 181.1;  
248/309.1, 309.2

See application file for complete search history.

(56) **References Cited**

U.S. PATENT DOCUMENTS

1,325,472 A \* 12/1919 Ide ..... 211/181.1  
D431,140 S \* 9/2000 Kuo ..... D6/549  
D705,573 S \* 5/2014 Goodman et al. .... D6/549

\* cited by examiner

*Primary Examiner* — Brian N Vinson

(74) *Attorney, Agent, or Firm* — Benesch Friedlander  
Coplan & Aronoff LLP

(57) **CLAIM**

What is claimed is the ornamental design for a double towel  
bar, as shown and described.

**DESCRIPTION**

FIG. 1 is a perspective view of a double towel bar showing a  
new design;

FIG. 2 is a top view of the double towel bar of FIG. 1;

FIG. 3 is a front view of the double towel bar of FIG. 1;

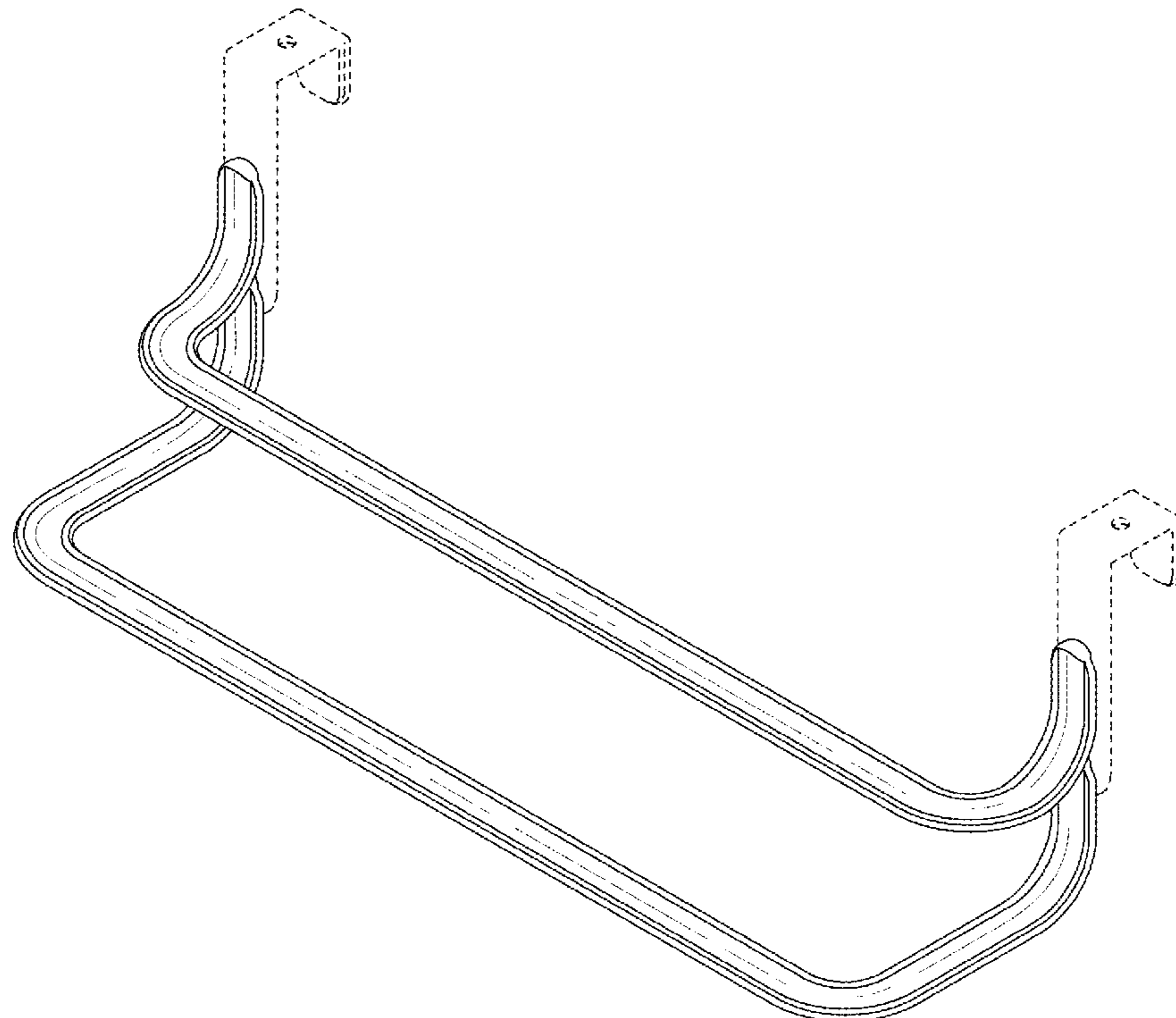
FIG. 4 is a side view of the double towel bar of FIG. 1;

FIG. 5 is a bottom view of the double towel bar of FIG. 1; and,

FIG. 6 is a cross-sectional view along line 6-6 of FIG. 2.

The components of the display shown in broken lines illus-  
trate portions of the double towel bar which form no part of  
the claimed design.

**1 Claim, 2 Drawing Sheets**



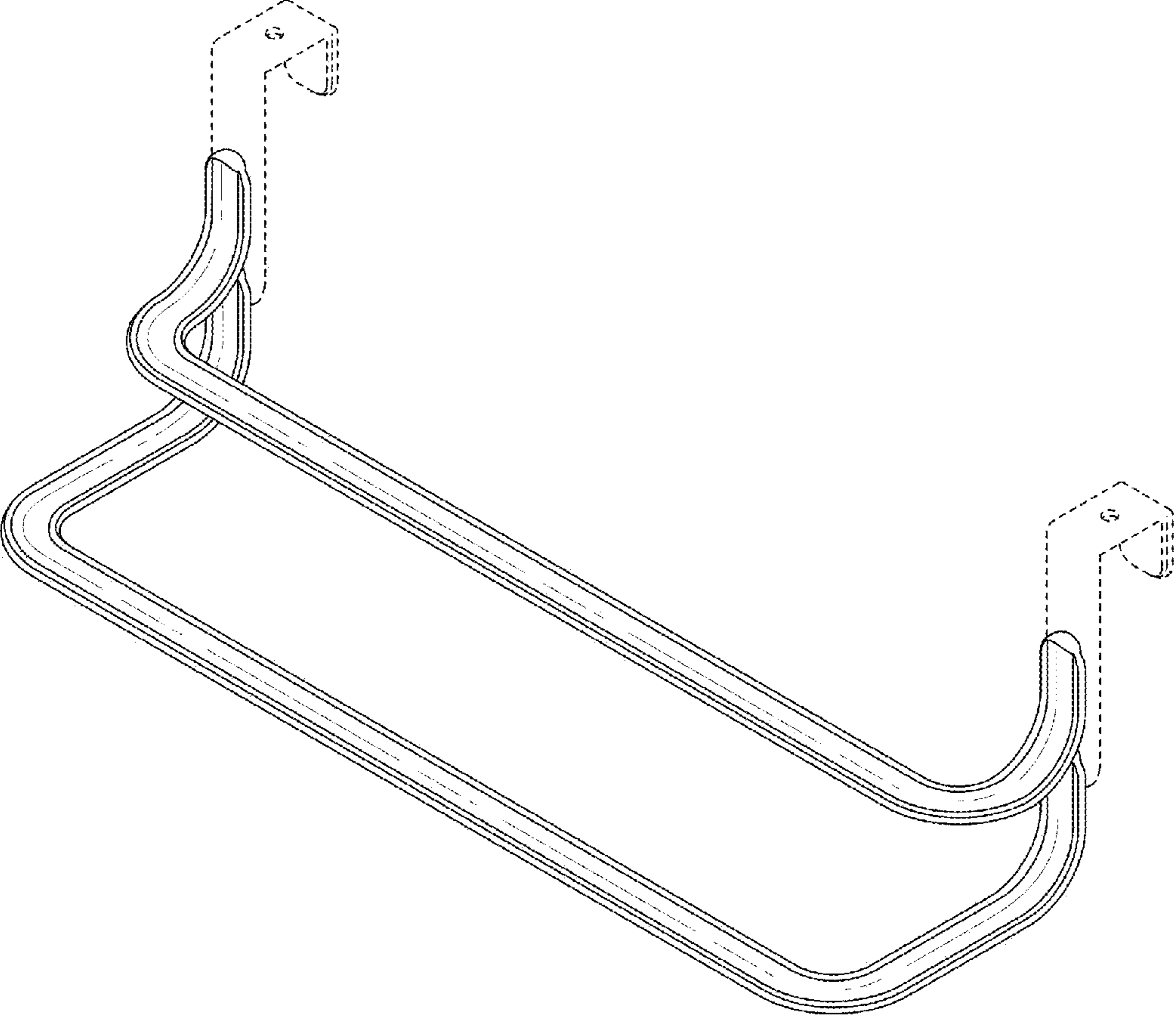


FIG 1

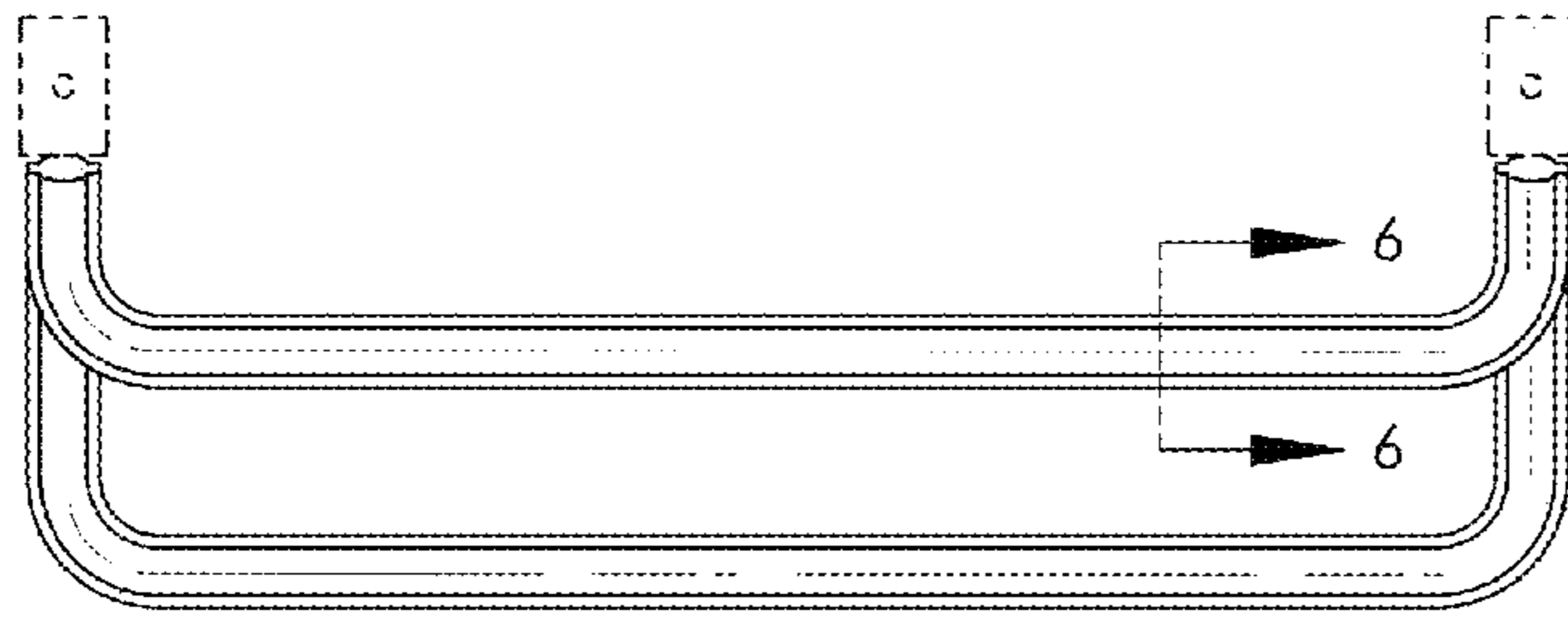


FIG 2



FIG 6

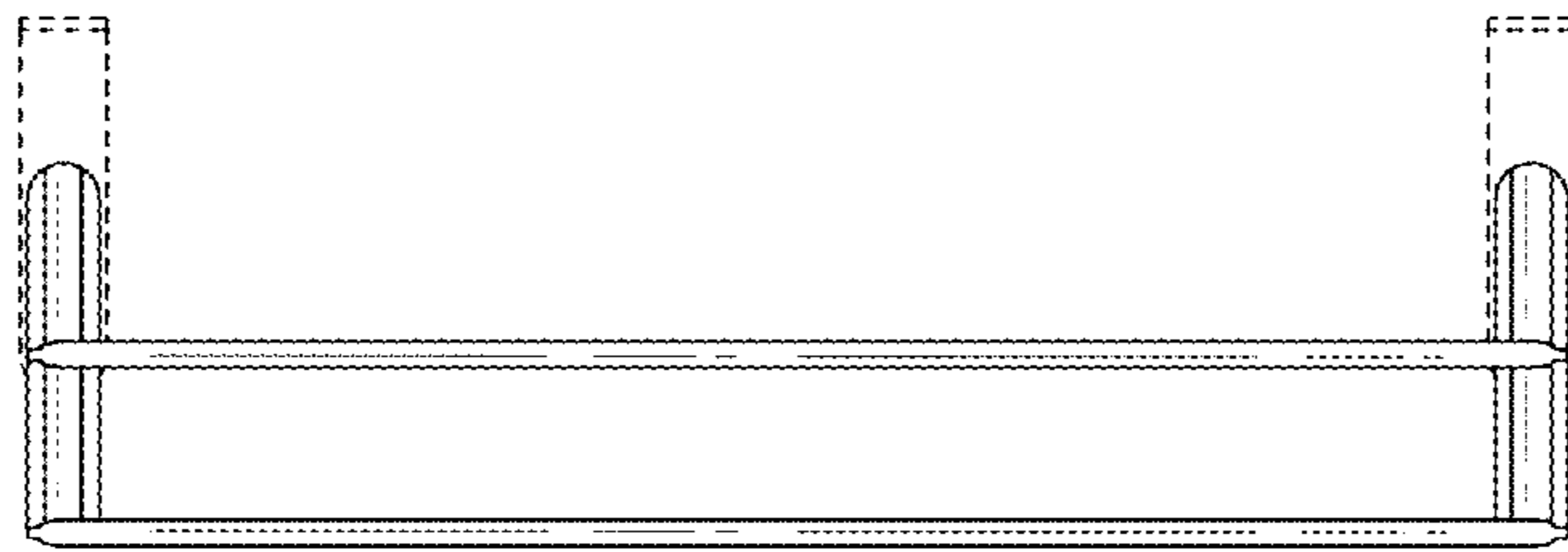


FIG 3

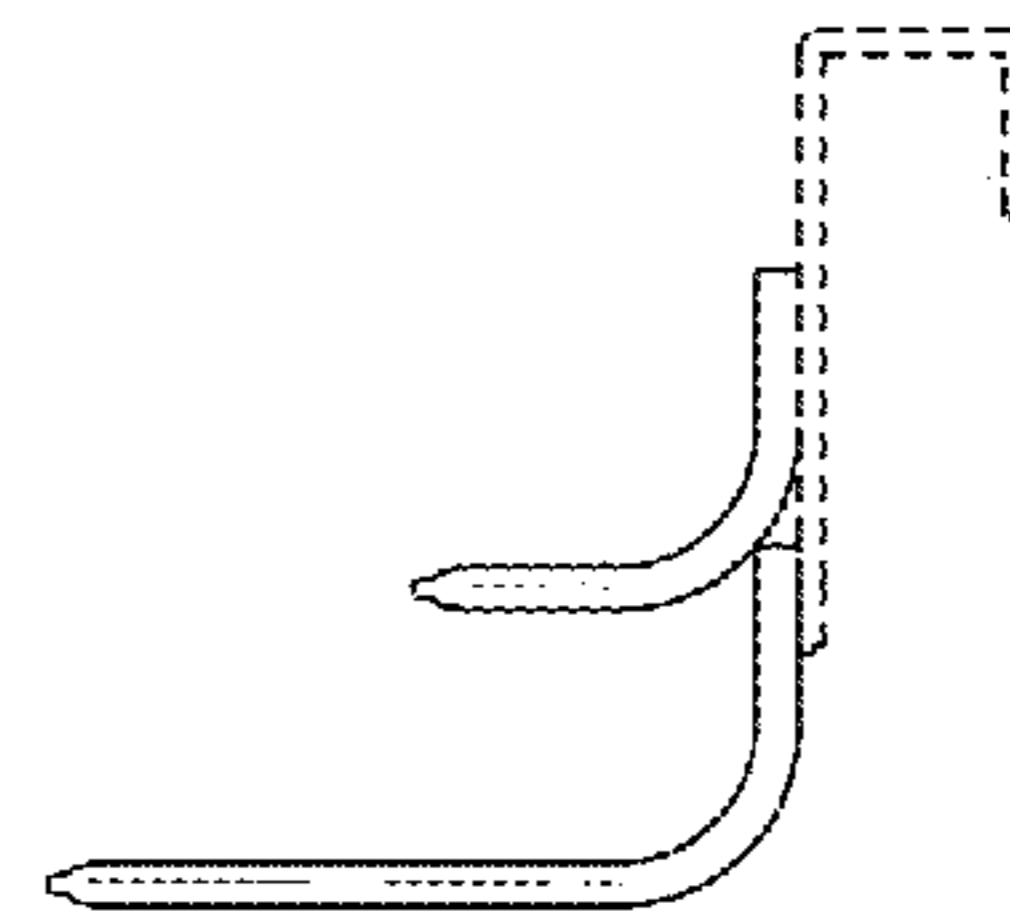


FIG 4

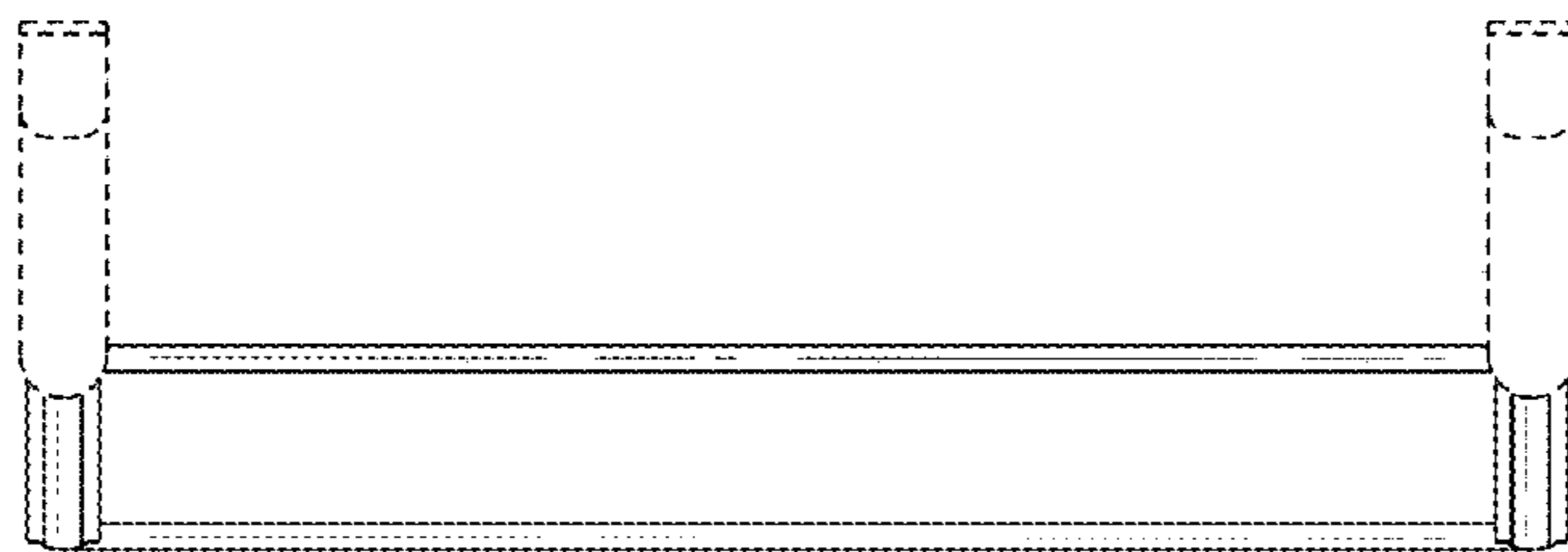


FIG 5