

US00D717564S

(12) **United States Design Patent**
Goodman et al.

(10) **Patent No.:** **US D717,564 S**
(45) **Date of Patent:** **** Nov. 18, 2014**

(54) **PAPER TOWEL HOLDER**

(71) Applicant: **Spectrum Diversified Designs, Inc.**,
Streetsboro, OH (US)

(72) Inventors: **Sheldon H. Goodman**, Solon, OH (US);
Phaysouk Xayoiphonh, Akron, OH
(US)

(73) Assignee: **Spectrum Diversified Designs, Inc.**,
Streetsboro, OH (US)

(**) Term: **14 Years**

(21) Appl. No.: **29/482,470**

(22) Filed: **Feb. 19, 2014**

Related U.S. Application Data

(63) Continuation of application No. 29/444,502, filed on
Jan. 31, 2013, now abandoned.

(51) **LOC (10) Cl.** **20-02**

(52) **U.S. Cl.**
USPC **D6/521**

(58) **Field of Classification Search**
USPC D6/518-523; 206/389, 391; 211/13.1,
211/59.1, 45, 890.1; 242/570, 590, 597.7;
248/309.1, 309.2

See application file for complete search history.

(56) **References Cited**

U.S. PATENT DOCUMENTS

D474,635 S * 5/2003 Ancona D6/522
D660,629 S * 5/2012 Goodman et al. D6/521
D667,663 S * 9/2012 Goodman et al. D6/521

* cited by examiner

Primary Examiner — Brian N Vinson

(74) *Attorney, Agent, or Firm* — Renner, Otto, Boisselle &
Sklar LLP

(57) **CLAIM**

The ornamental design for a paper towel holder, as shown and
described.

DESCRIPTION

FIG. 1 is a perspective view of a first embodiment of a paper
towel holder showing our new design.

FIG. 2 is a front view thereof.

FIG. 3 is a rear view thereof.

FIG. 4 is a left side view thereof.

FIG. 5 is a cross-sectional view of wire used to form the paper
towel holder taken along the line 5-5 of FIG. 4.

FIG. 6 is a right side view thereof.

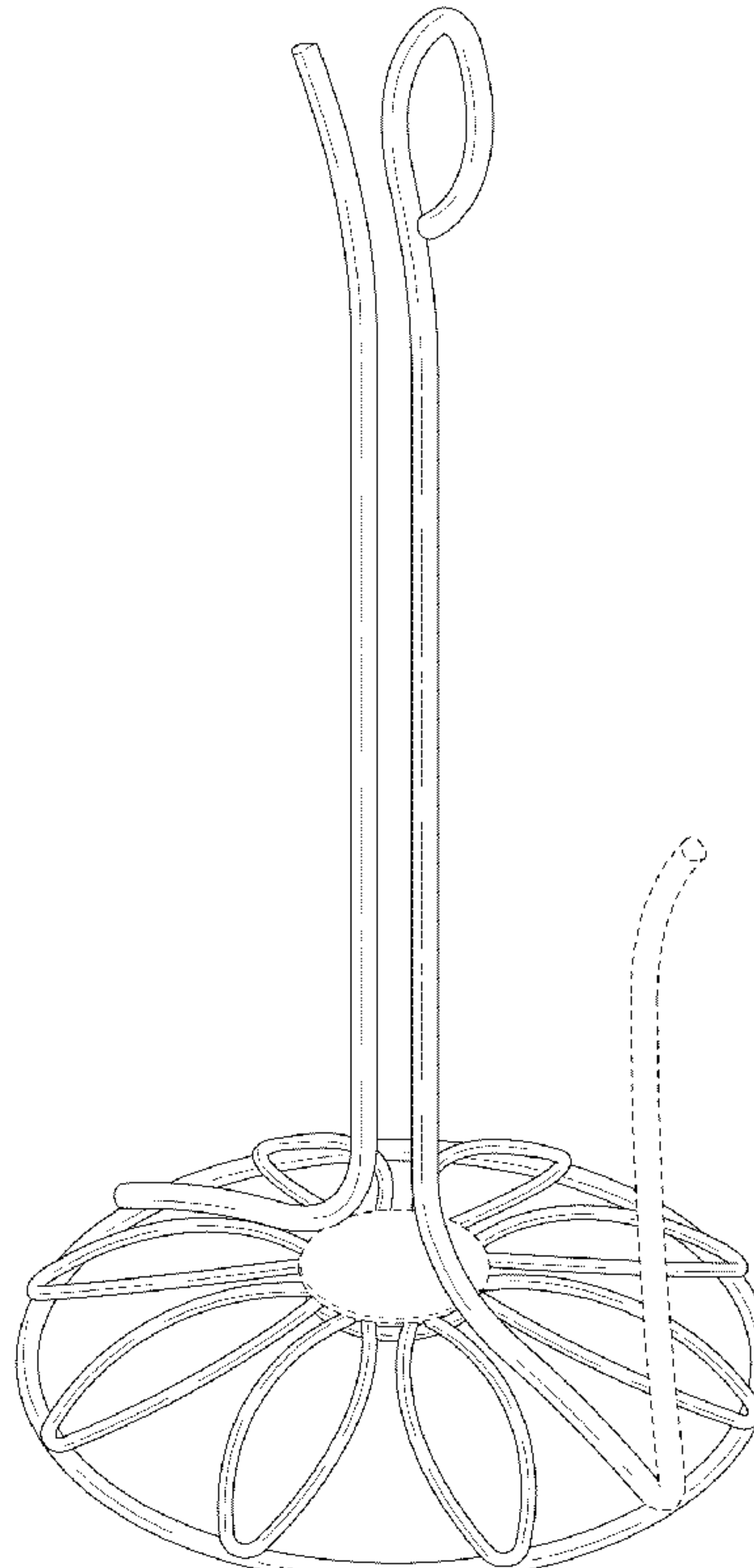
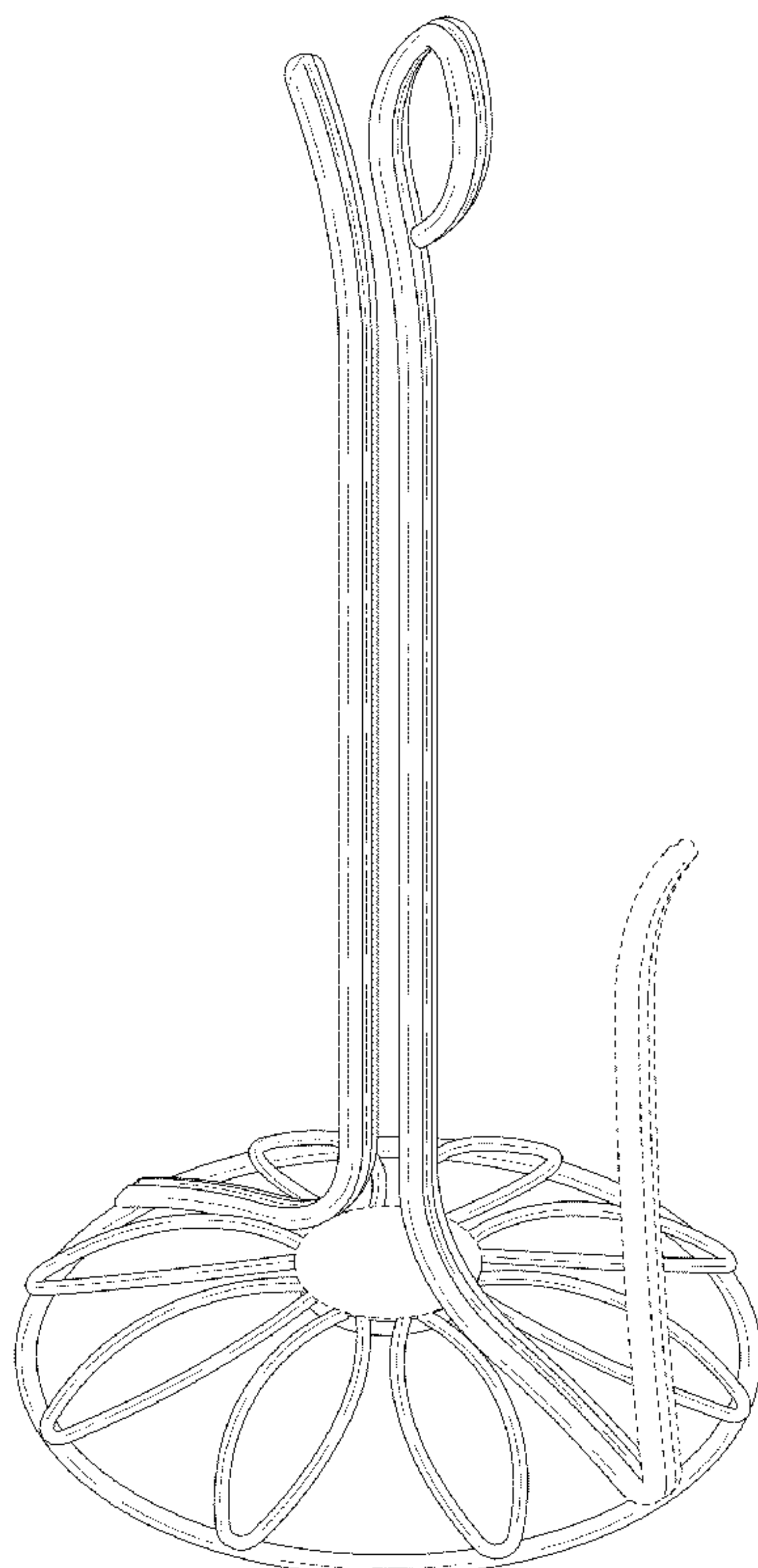
FIG. 7 is a top view thereof.

FIG. 8 is a bottom view thereof; and,

FIG. 9 is a perspective view of a second embodiment of the
paper towel holder, which is the same as the first embodiment
except for the shape of the wire.

The broken-line disclosure of a portion of the paper towel
holder forms no part of the claimed design.

1 Claim, 5 Drawing Sheets



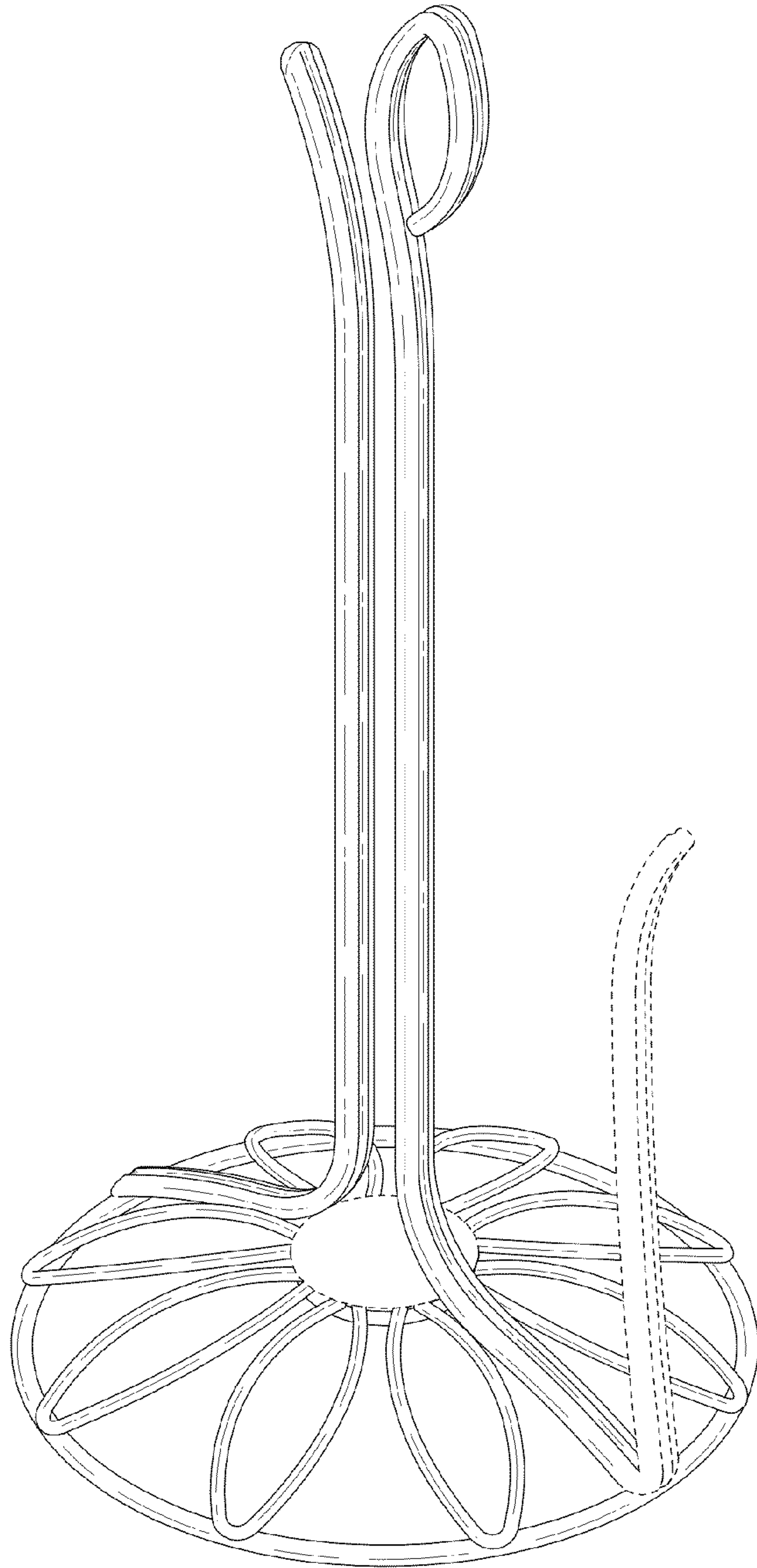


FIG 1

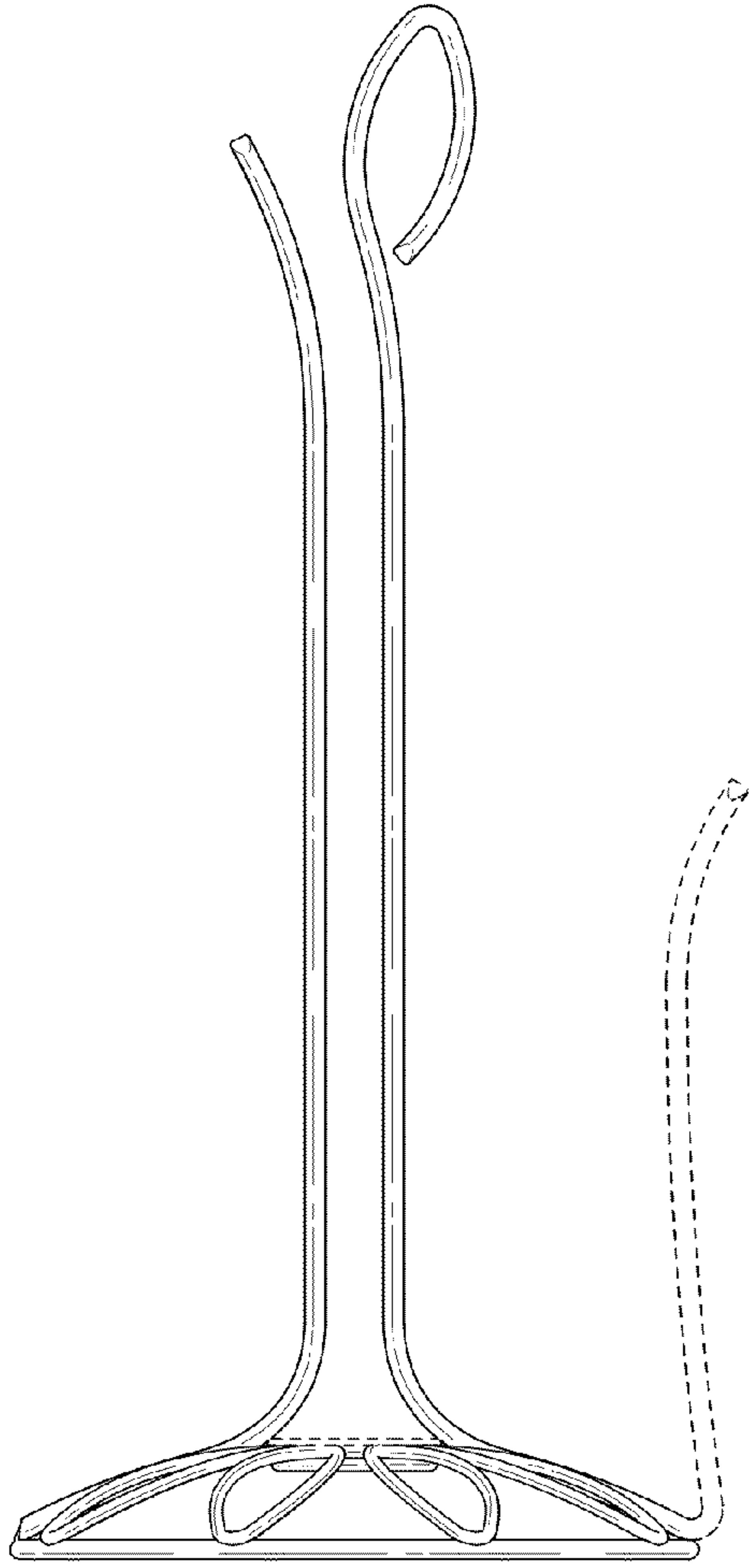


FIG 2

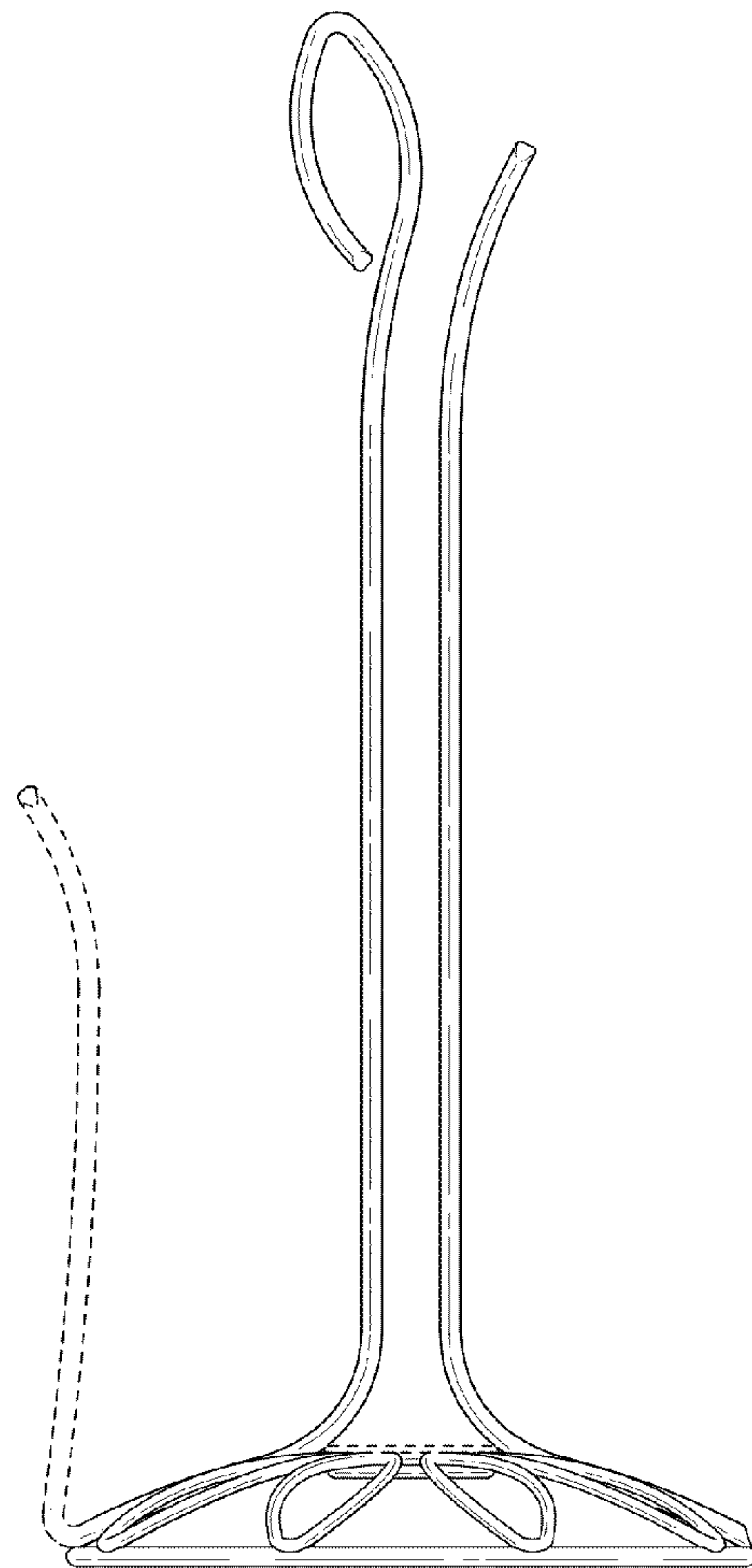


FIG 3

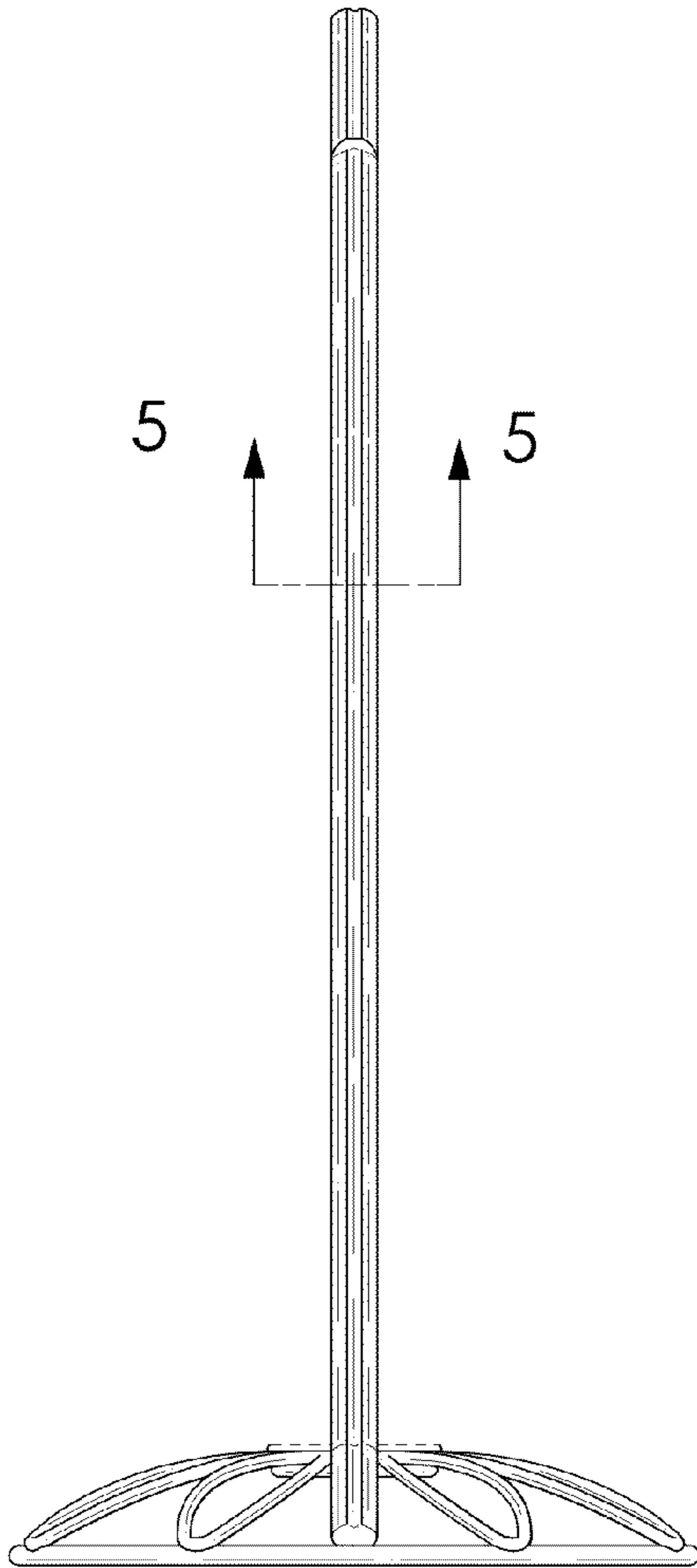


FIG 4



FIG 5

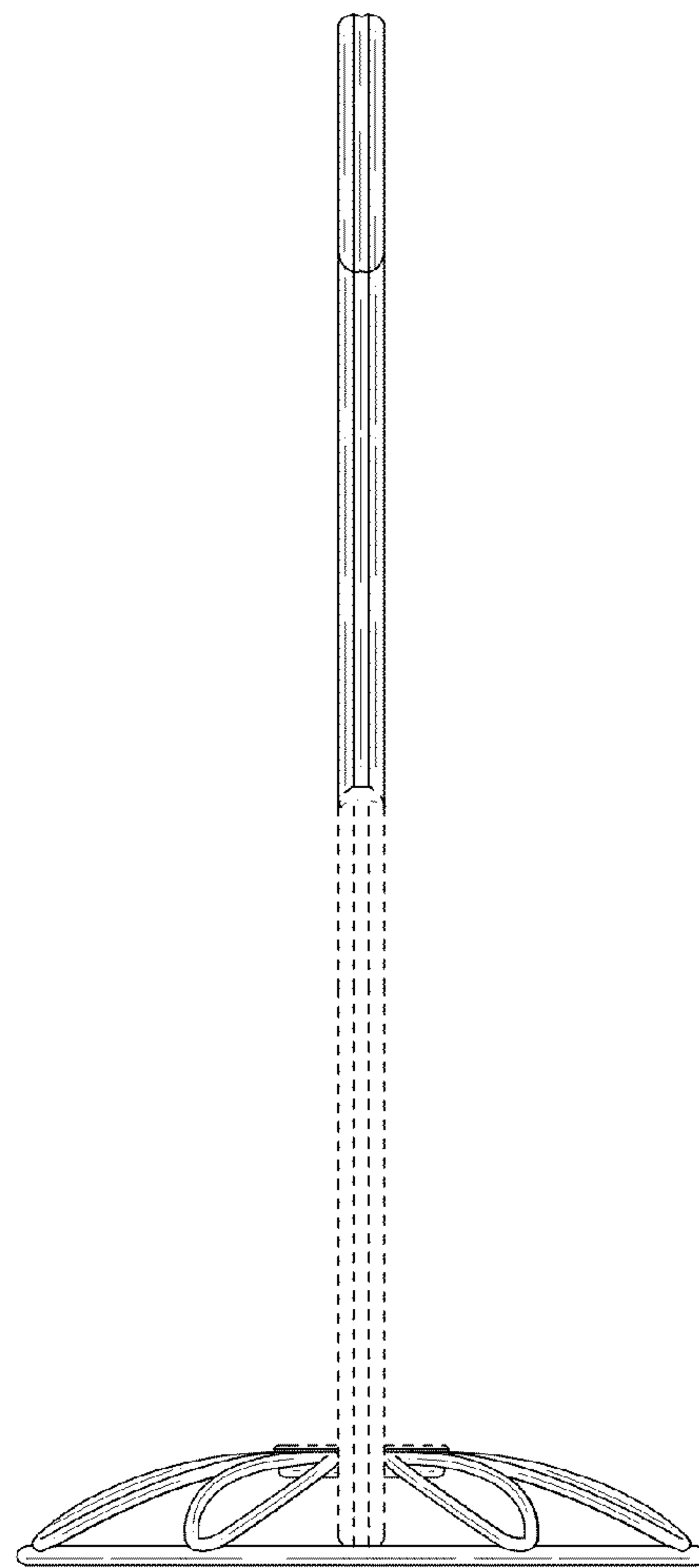


FIG 6

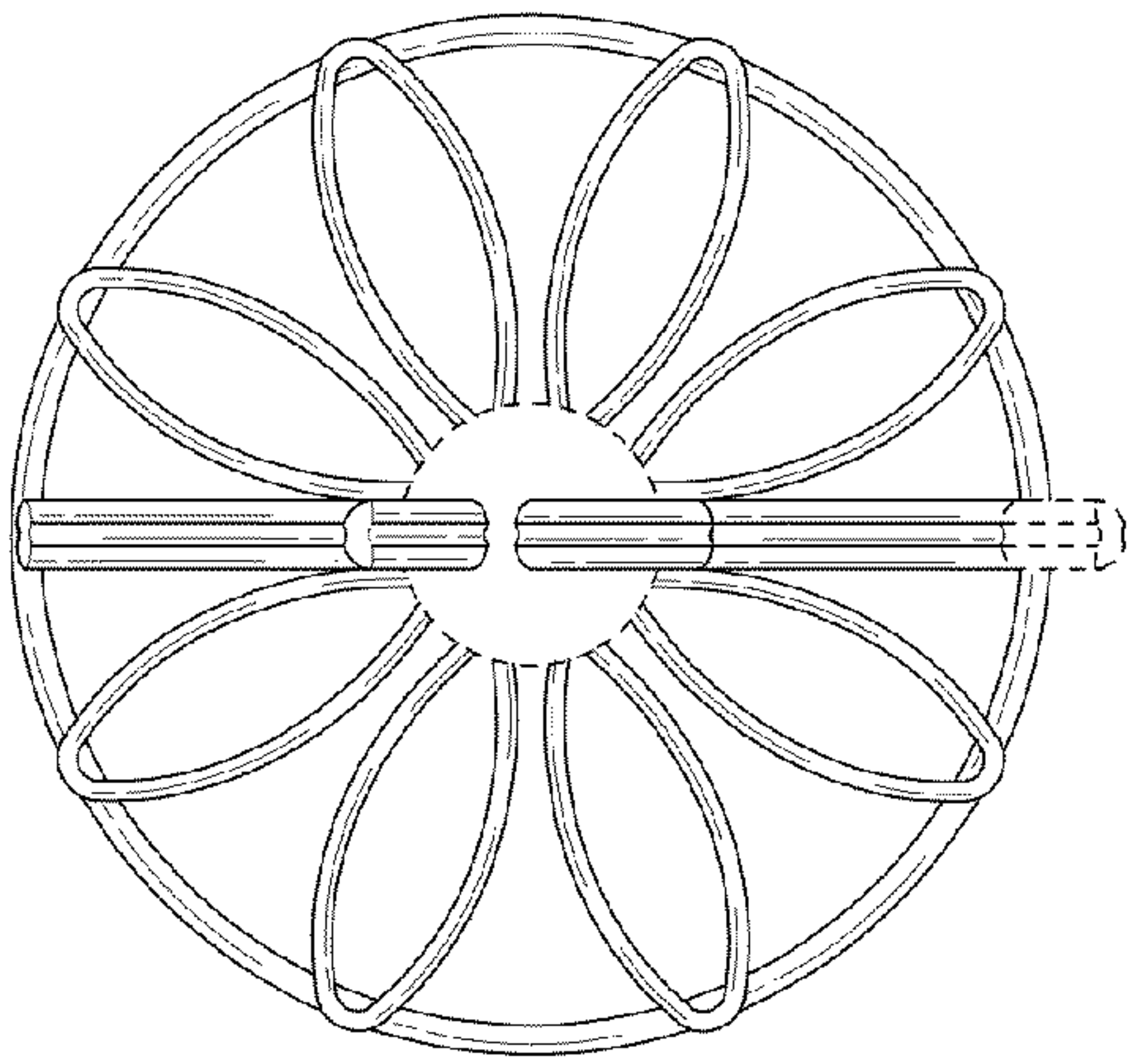


FIG 7

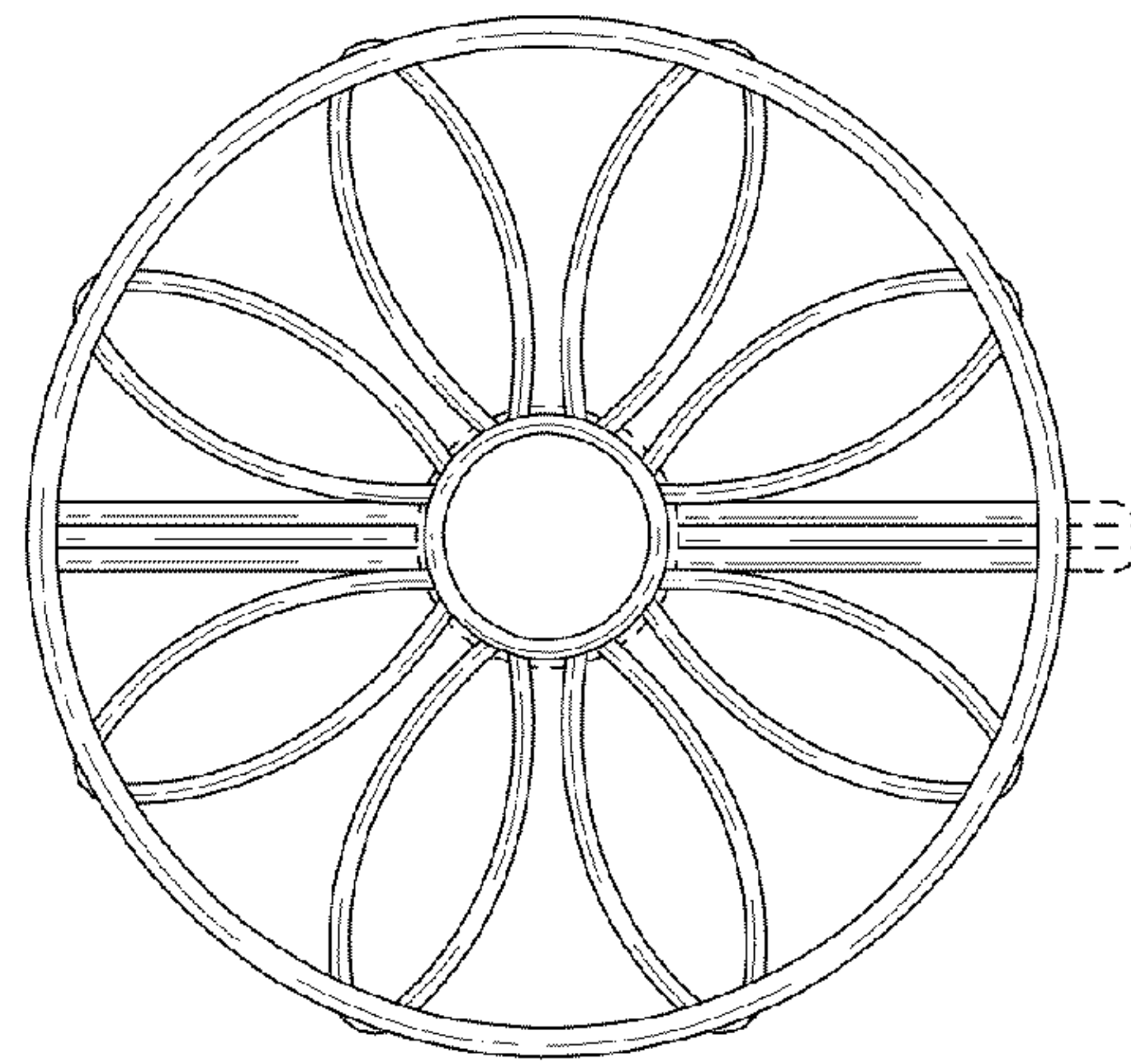


FIG 8

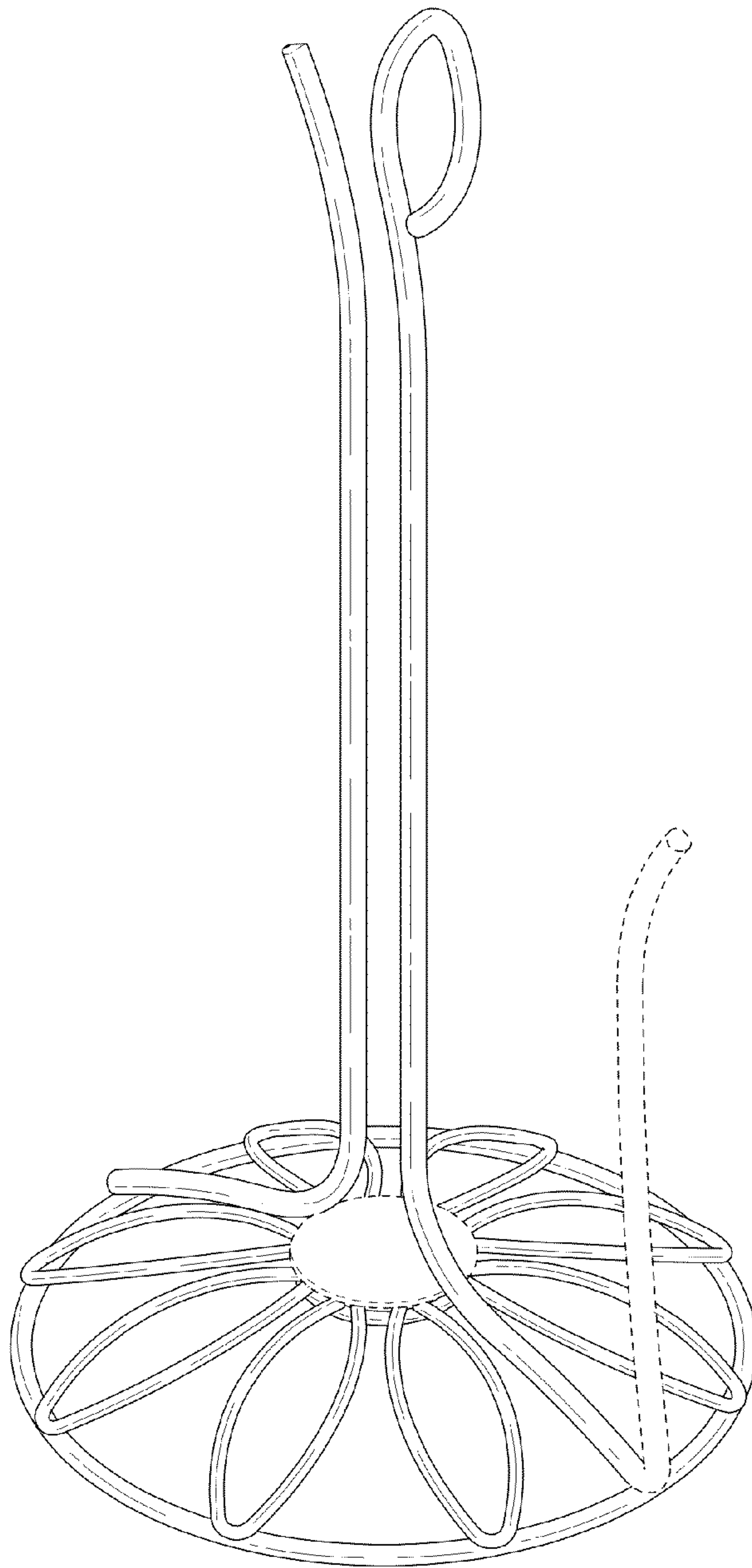


FIG 9