



US00D717562S

(12) **United States Design Patent**
Bone

(10) **Patent No.:** **US D717,562 S**

(45) **Date of Patent:** **** Nov. 18, 2014**

(54) **CANOPY BED**

Primary Examiner — Janice Seeger

(71) Applicant: **Newfoundland Lodges Ltd.**,
Grange-over-Sands (GB)

(74) *Attorney, Agent, or Firm* — Lempia Summerfield Katz
LLC

(72) Inventor: **Ian Bone**, Grange-over-Sands (GB)

(73) Assignee: **Newfoundland Lodges Ltd.**, Cumbria
(GB)

(57) **CLAIM**

The ornamental design for a “canopy bed,” as shown and
described.

(**) Term: **14 Years**

(21) Appl. No.: **29/454,098**

DESCRIPTION

(22) Filed: **May 6, 2013**

(30) **Foreign Application Priority Data**

Nov. 6, 2012 (EM) 002130989-0001

(51) **LOC (10) Cl.** **06-02**

(52) **U.S. Cl.**
USPC **D6/389**

(58) **Field of Classification Search**

CPC A47C 29/003; A47C 19/022; A47C 19/02
USPC D6/382, 383, 384, 389, 393, 394, 718,
D6/718.13, 718.14, 718.19, 718.2, 718.24,
D6/718.29; 5/53.1, 279.1, 280, 281, 2.1,
5/113, 414

See application file for complete search history.

(56) **References Cited**

U.S. PATENT DOCUMENTS

4,293,162 A * 10/1981 Pap et al. D6/333
D335,046 S * 4/1993 Diaz D6/389
D341,498 S * 11/1993 Ball D6/393
D373,687 S * 9/1996 Walters et al. D6/389
6,317,910 B1 * 11/2001 Wilson 5/658

* cited by examiner

FIG. 1 is a front and right side perspective view of my new
design for a canopy bed.

FIG. 2 is a front and left side perspective view of the canopy
bed shown in FIG. 1.

FIG. 3 is a top view of the canopy bed shown in FIG. 1.

FIG. 4 is a front view of the canopy bed shown in FIG. 1.

FIG. 5 is a right side view of the canopy bed shown in FIG. 1.

FIG. 6 is a left side view of the canopy bed shown in FIG. 1.

FIG. 7 is a rear view of the canopy bed shown in FIG. 1.

FIG. 8 is a front and right side perspective view of another
embodiment of my new design for a canopy bed.

FIG. 9 is a front and left side perspective view of the canopy
bed shown in FIG. 8.

FIG. 10 is a top view of the canopy bed shown in FIG. 8.

FIG. 11 is a front view of the canopy bed shown in FIG. 8.

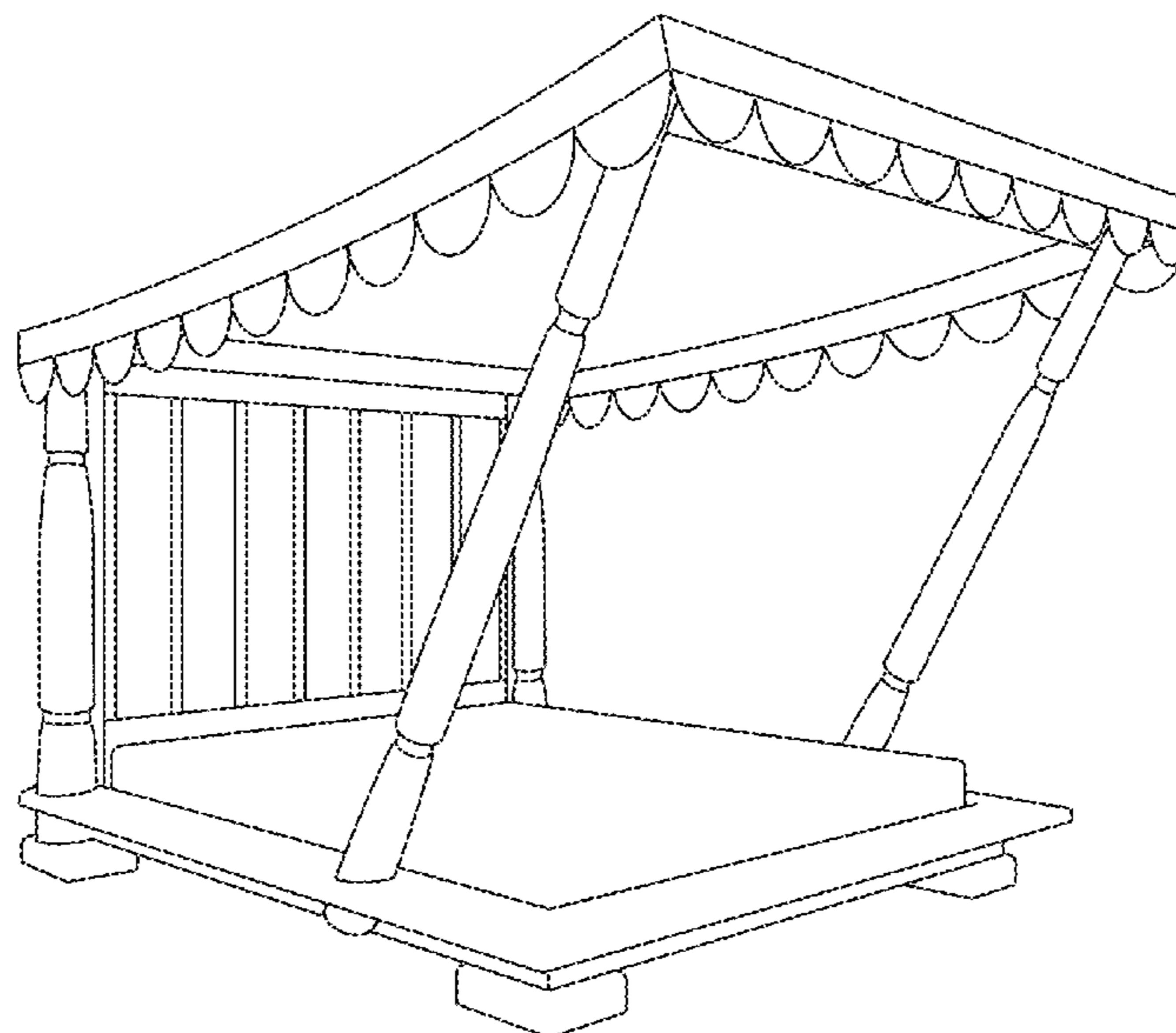
FIG. 12 is a right side view of the canopy bed shown in FIG.
8.

FIG. 13 is a left side view of the canopy bed shown in FIG. 8;
and,

FIG. 14 is a rear view of the canopy bed shown in FIG. 8.

The subject matter shown in dashed lines is for illustrative
purposes only and forms no part of the claimed design.

1 Claim, 14 Drawing Sheets



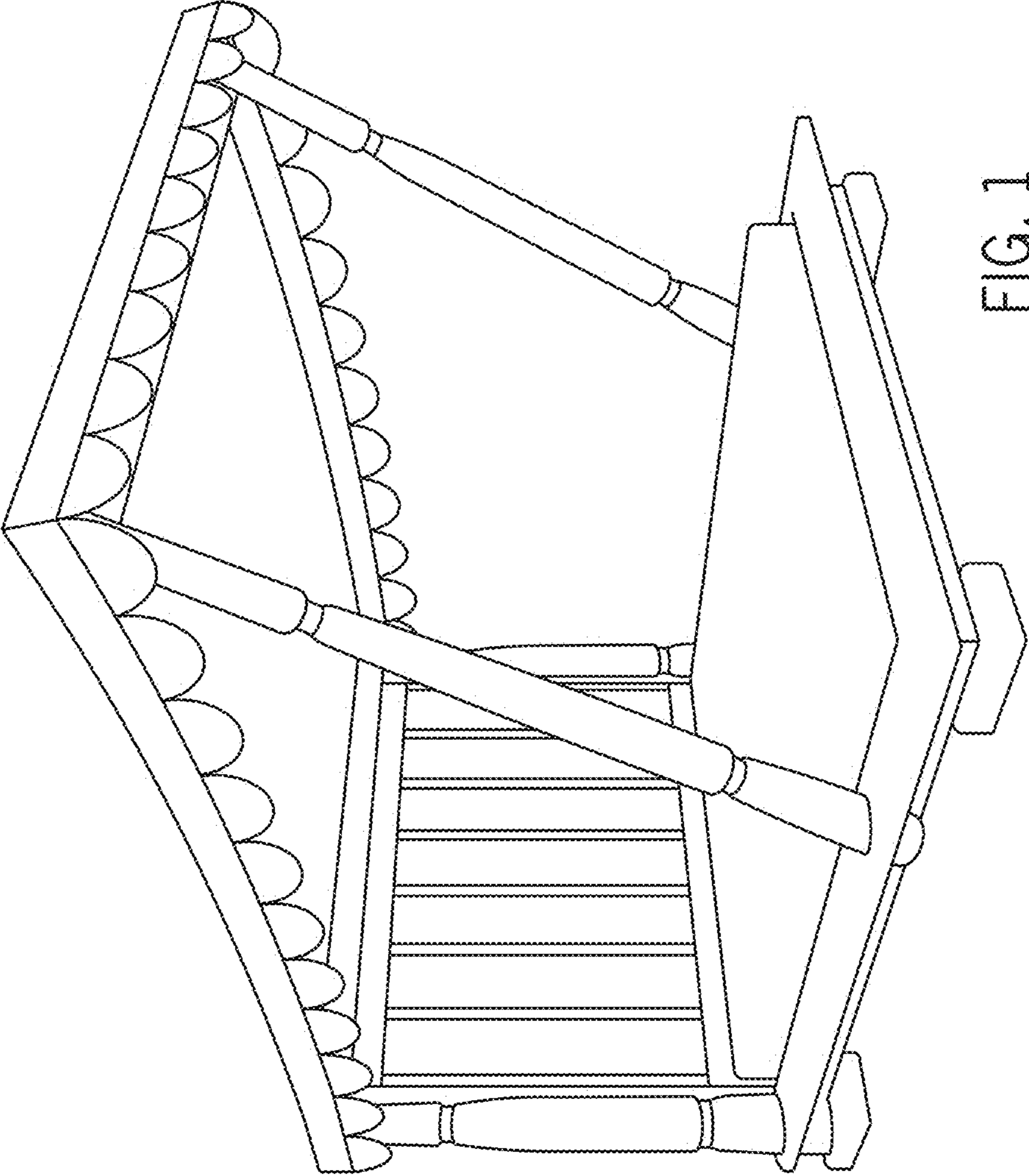


FIG. 1

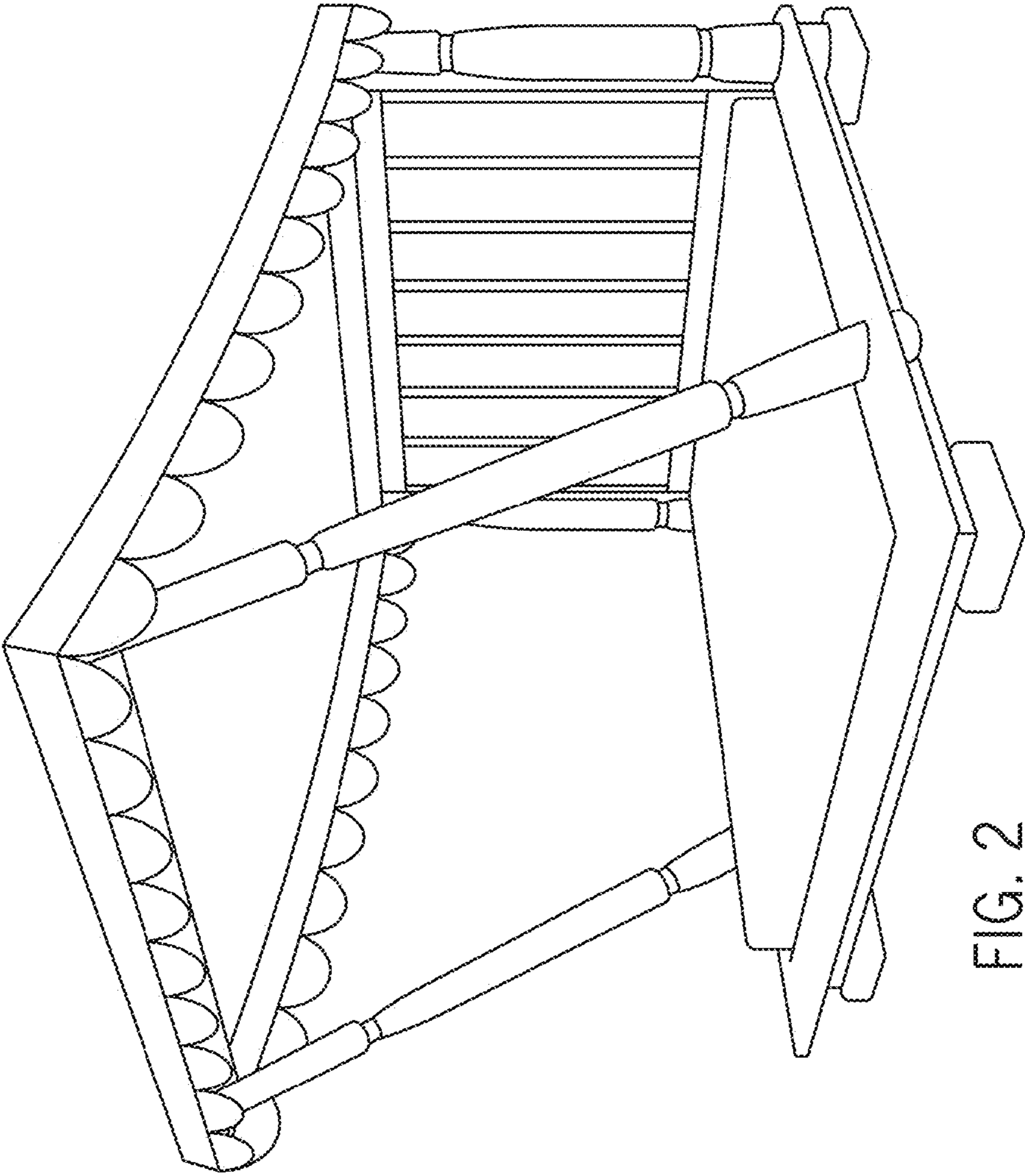


FIG. 2



FIG. 3

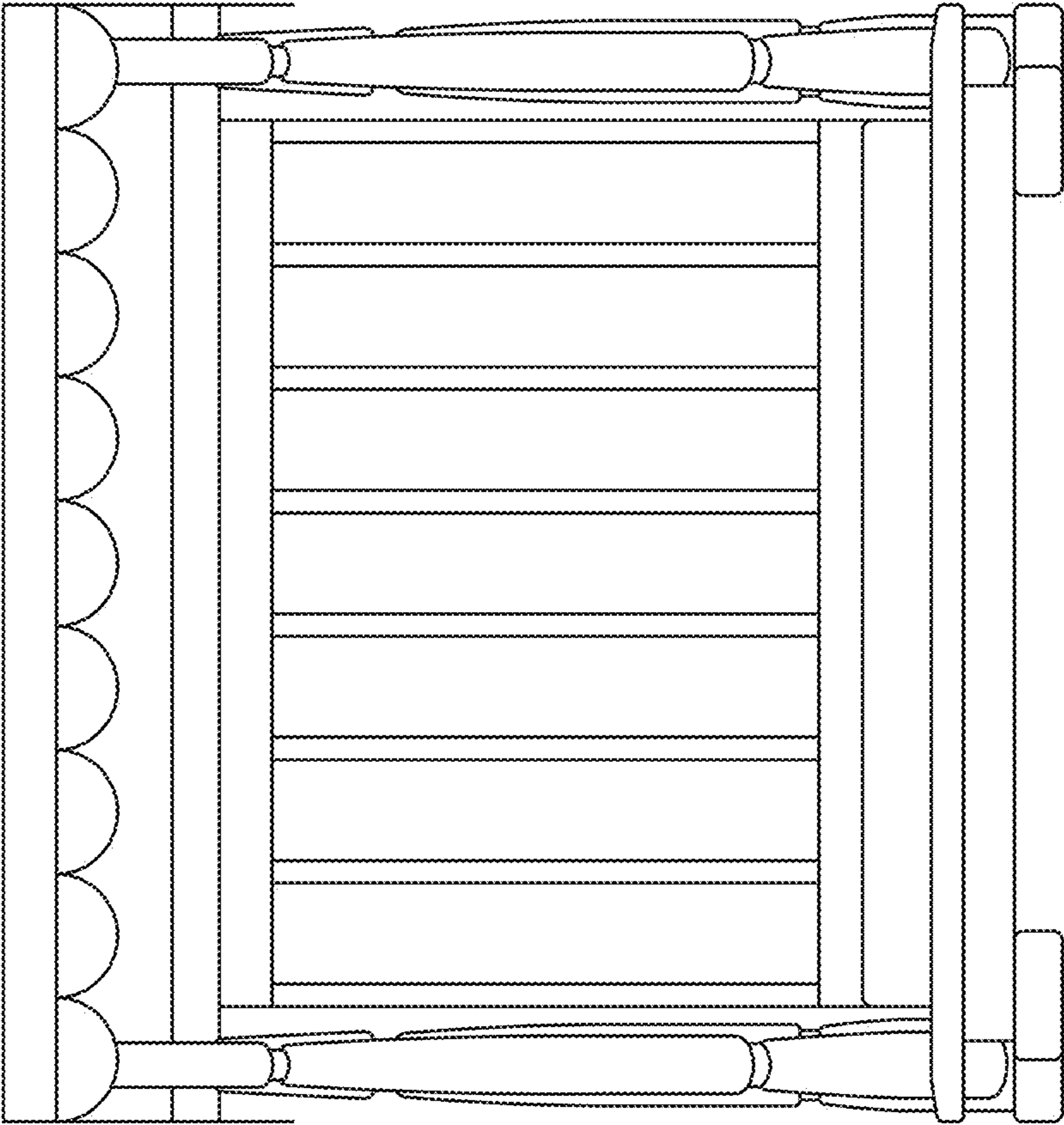


FIG. 4

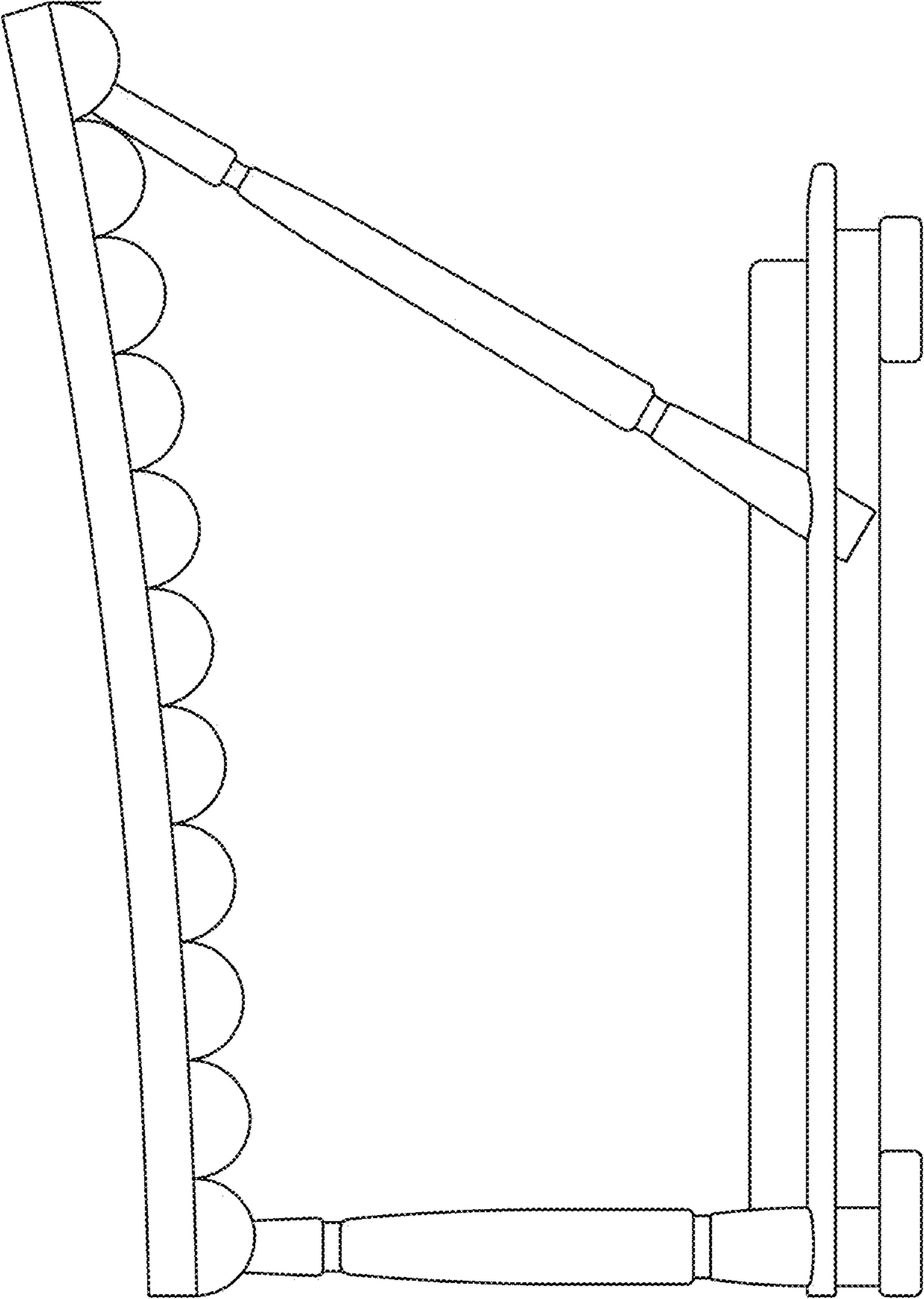


FIG. 5

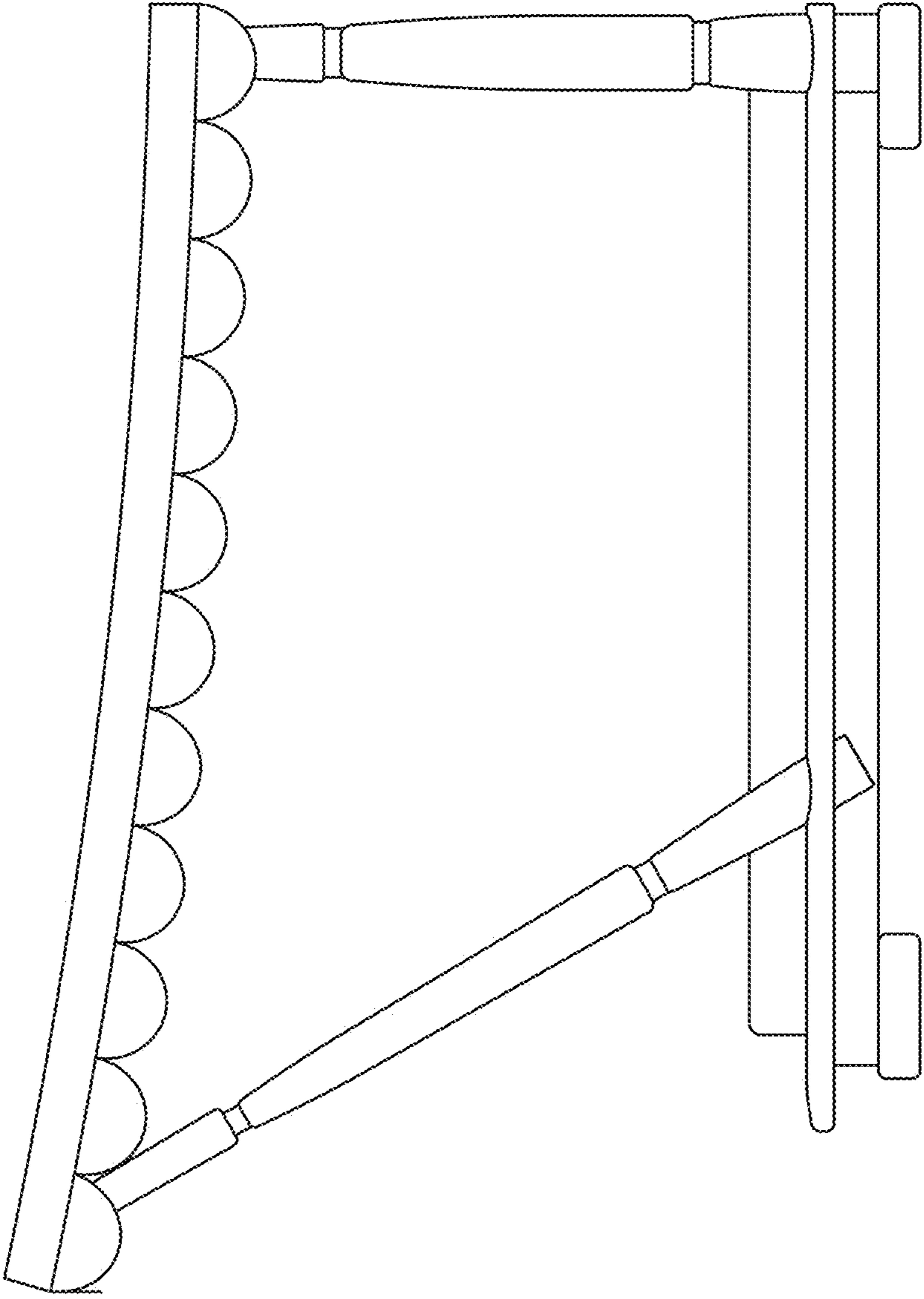


FIG. 6

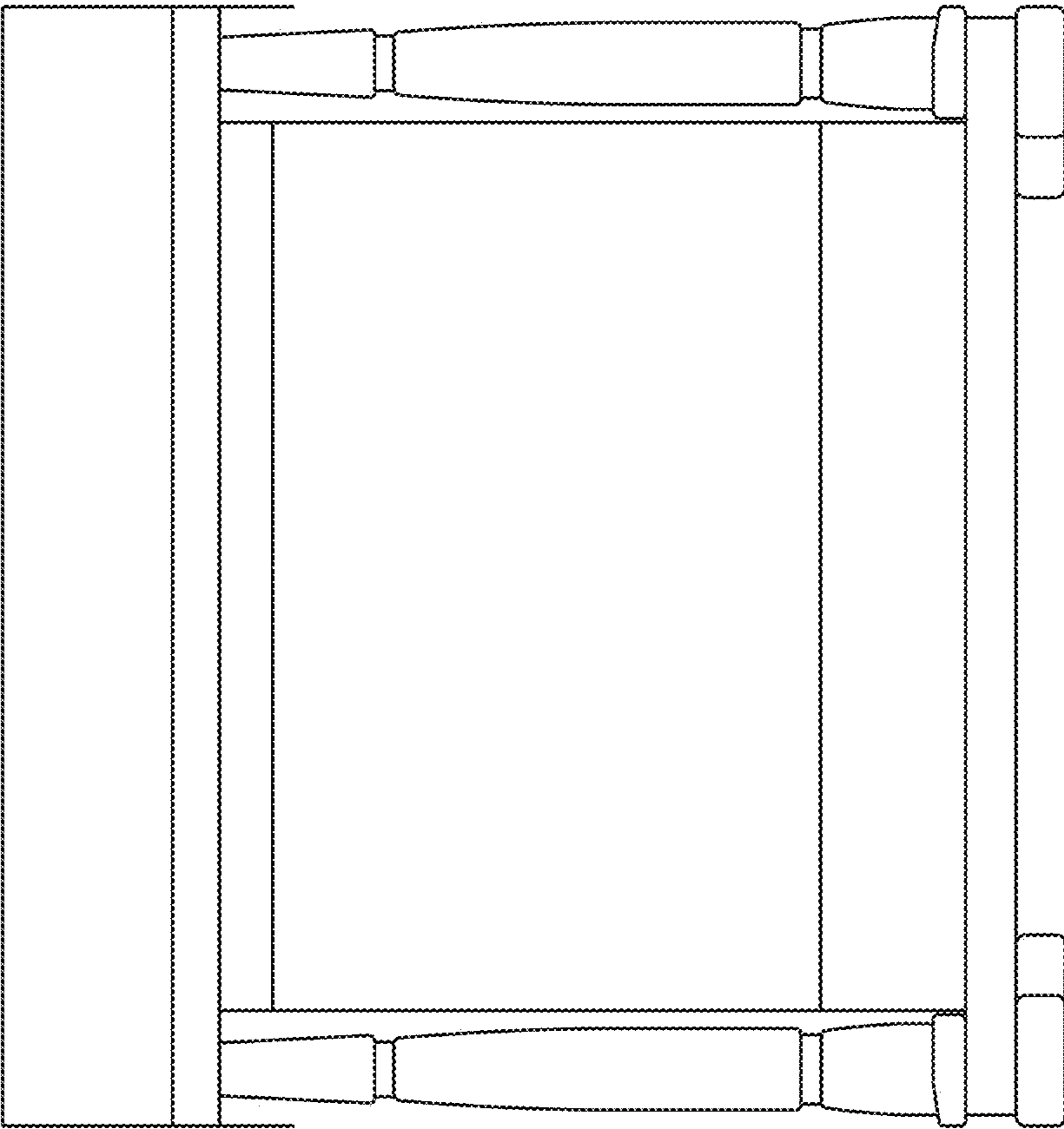


FIG. 7

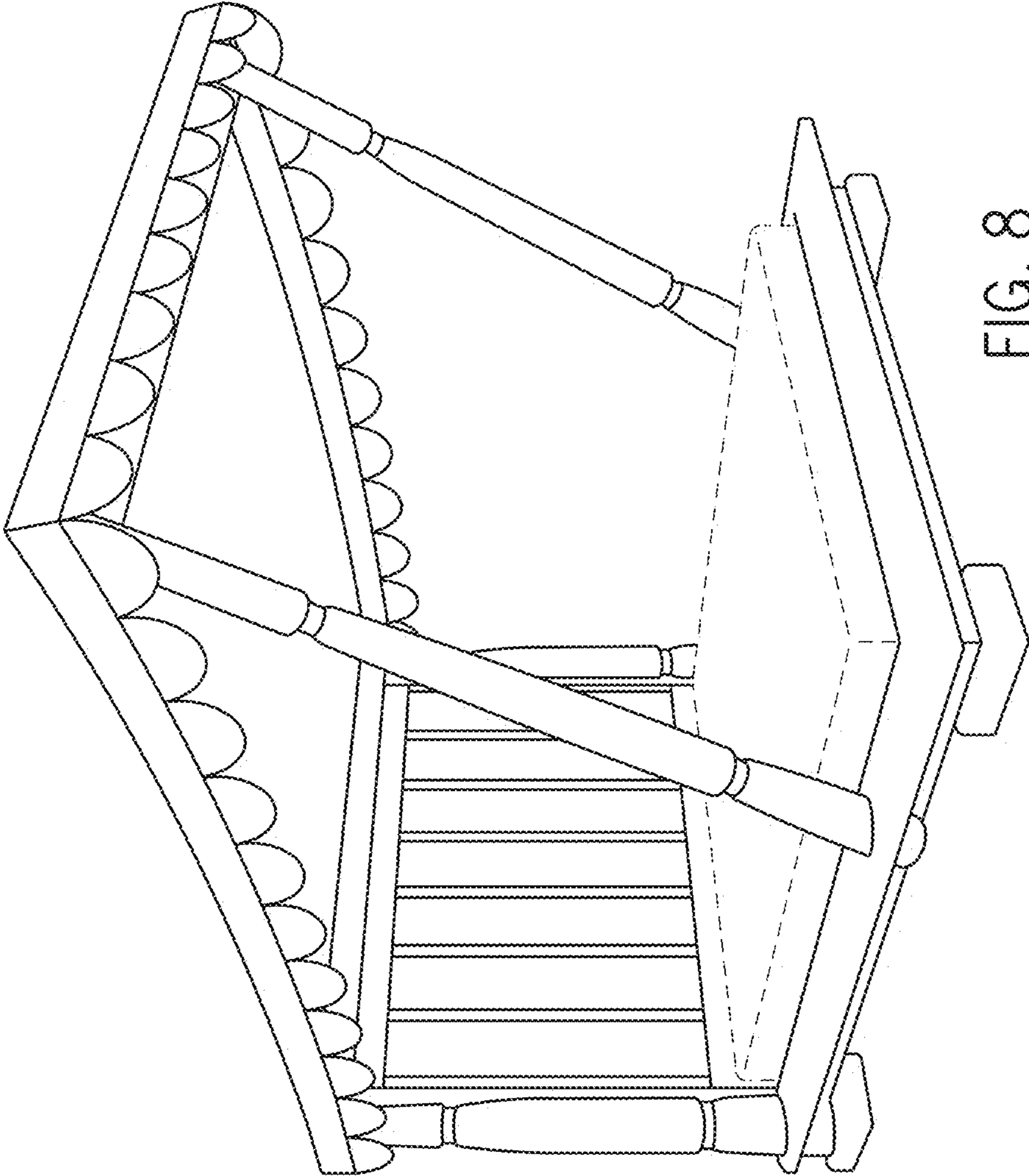


FIG. 8

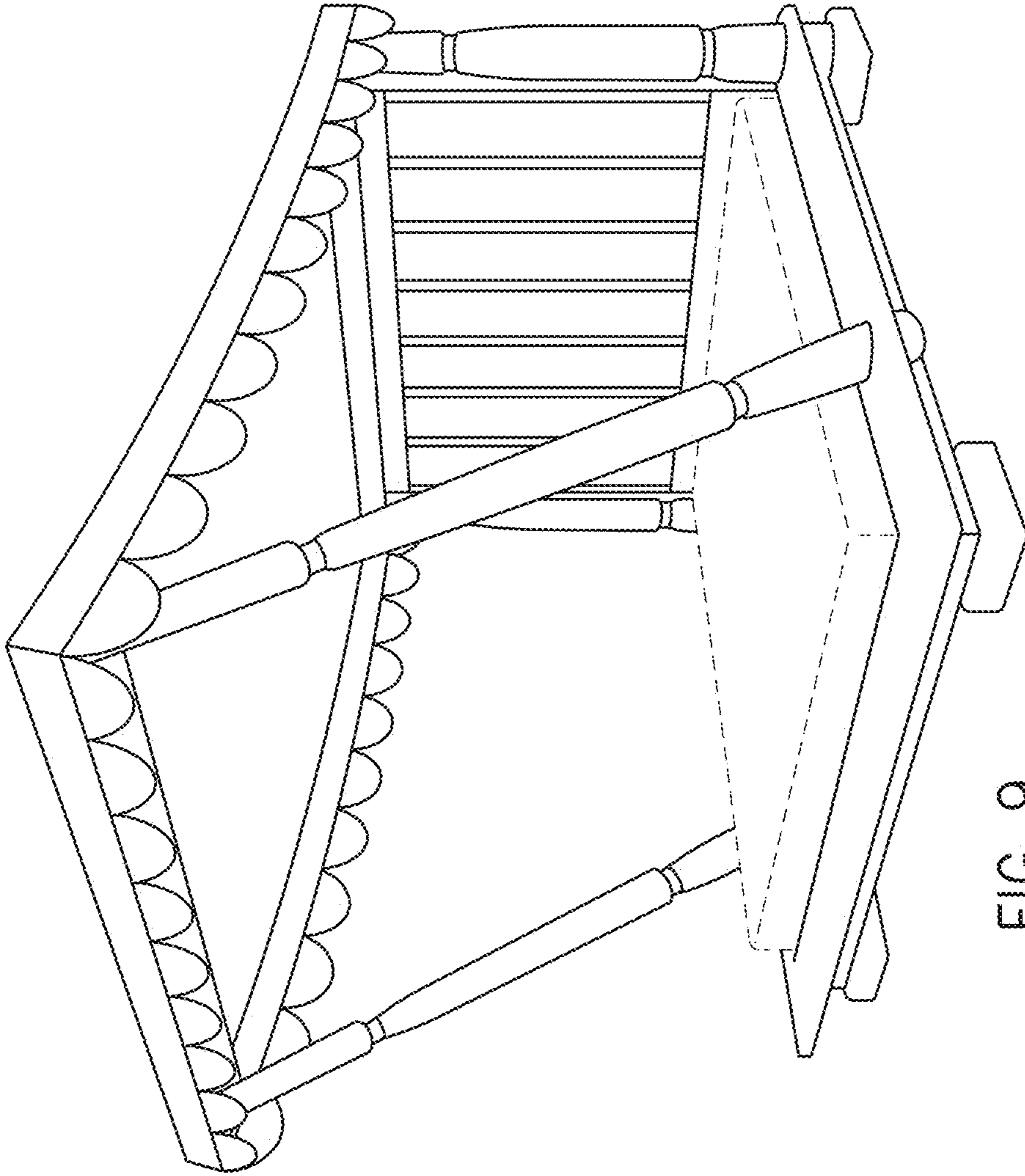


FIG. 9

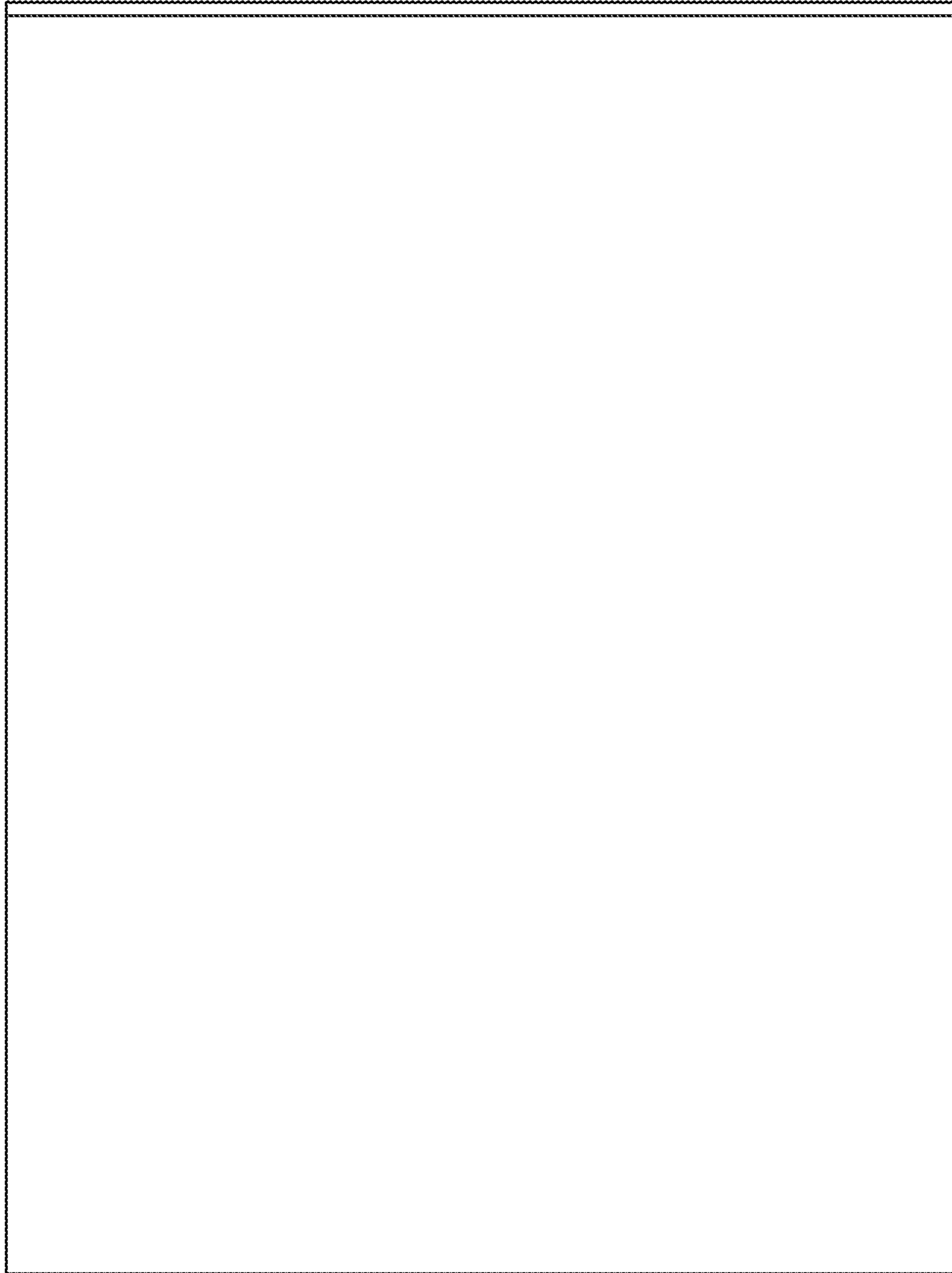


FIG. 10

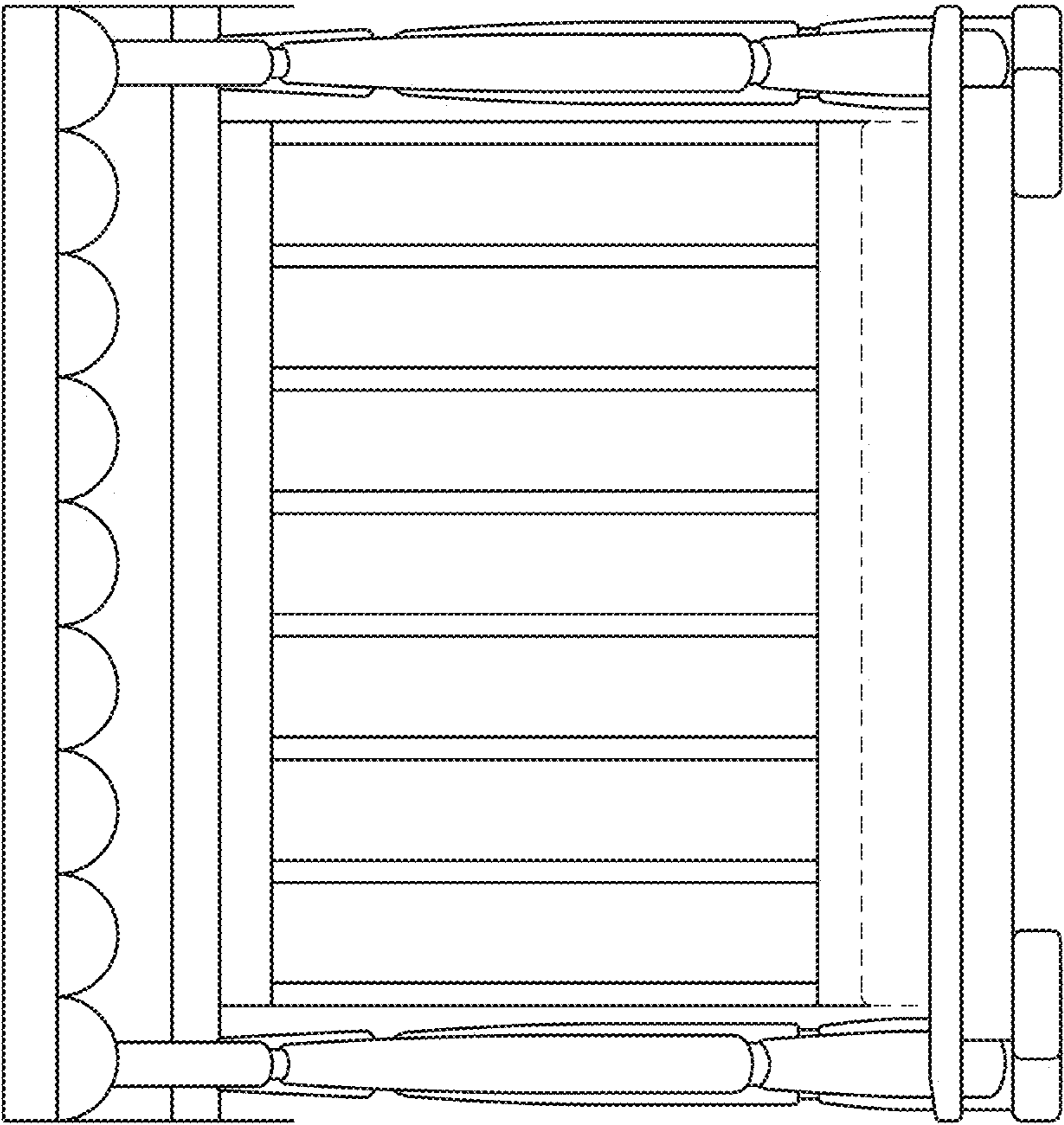


FIG. 11

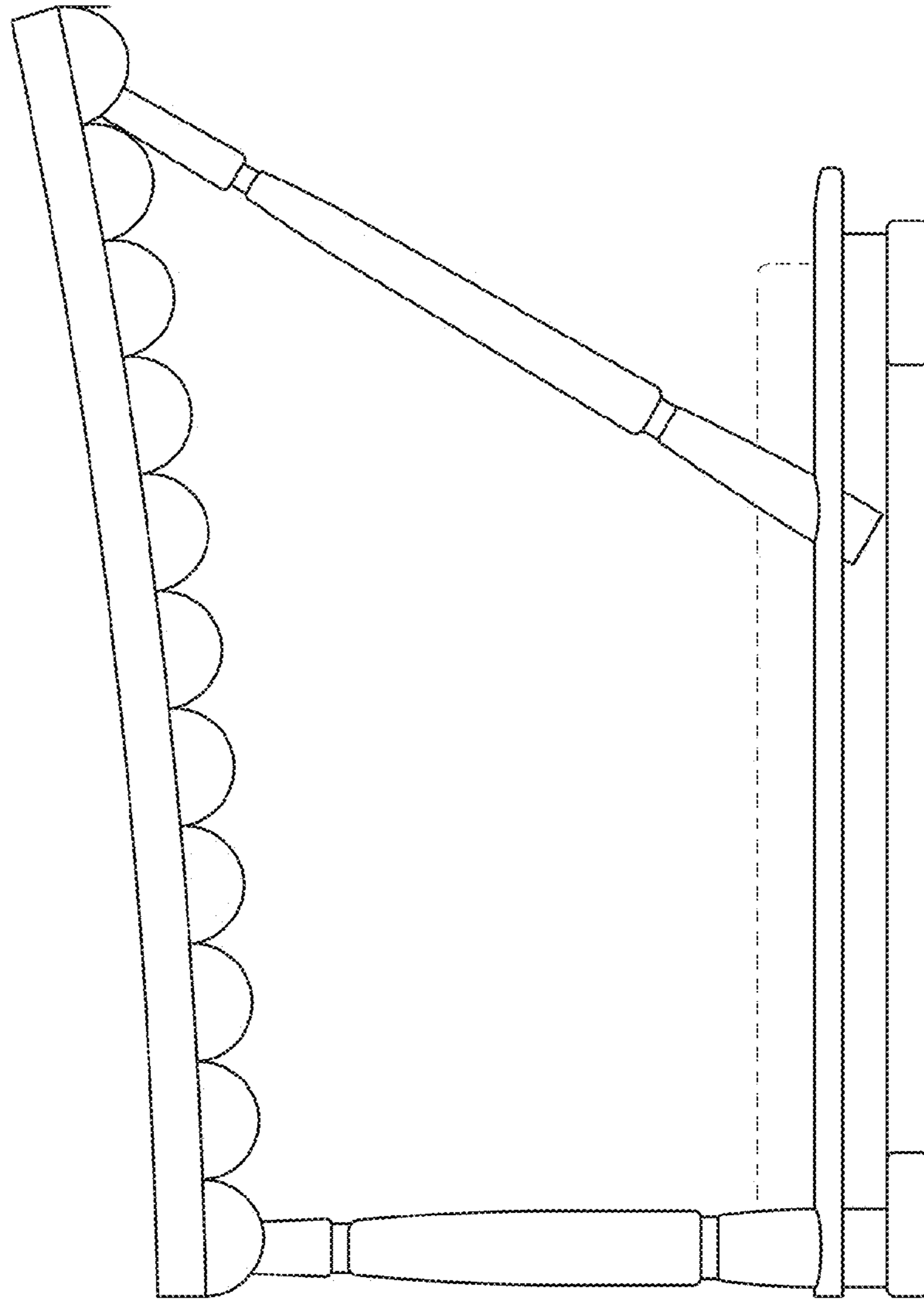


FIG. 12

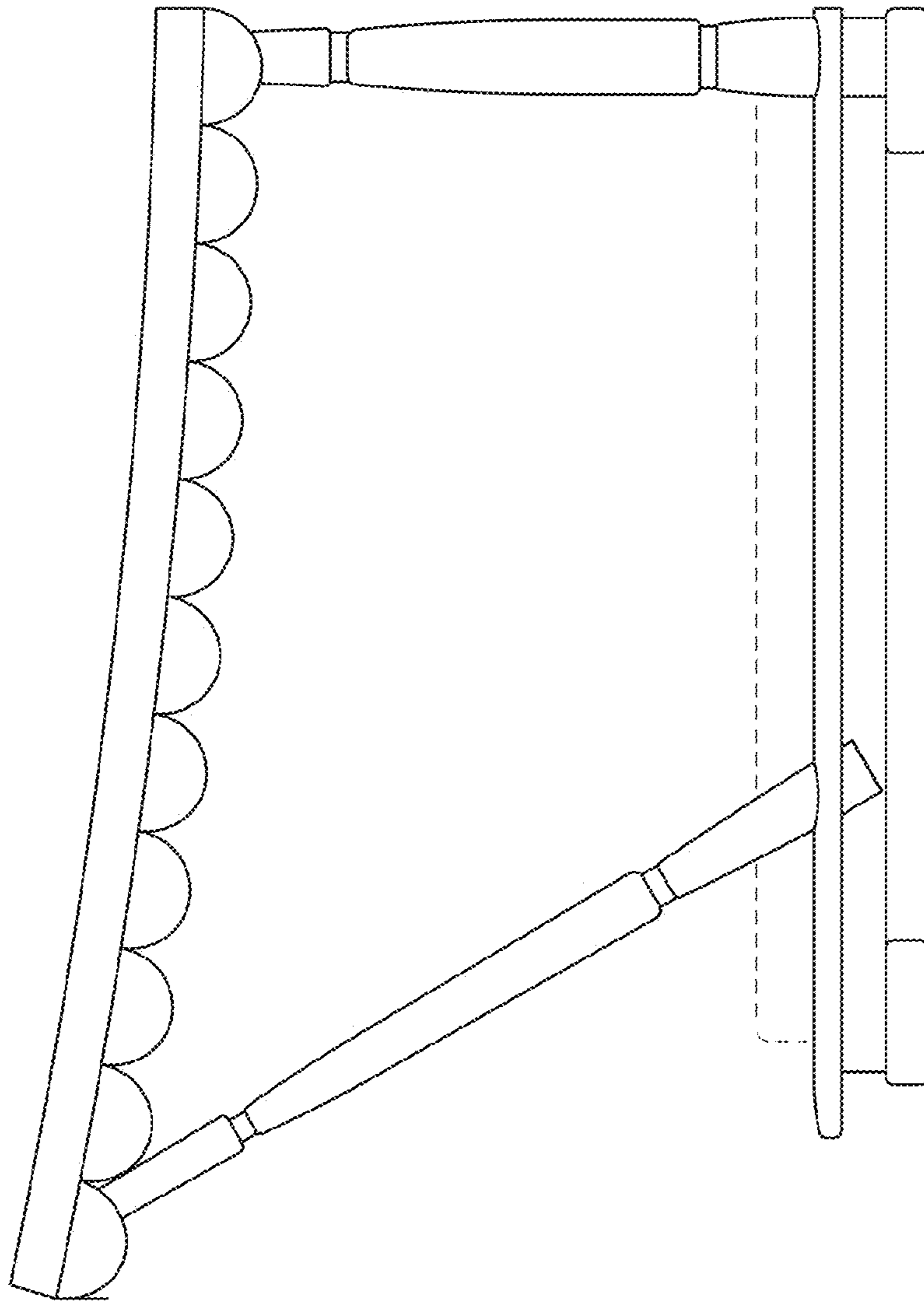


FIG. 13

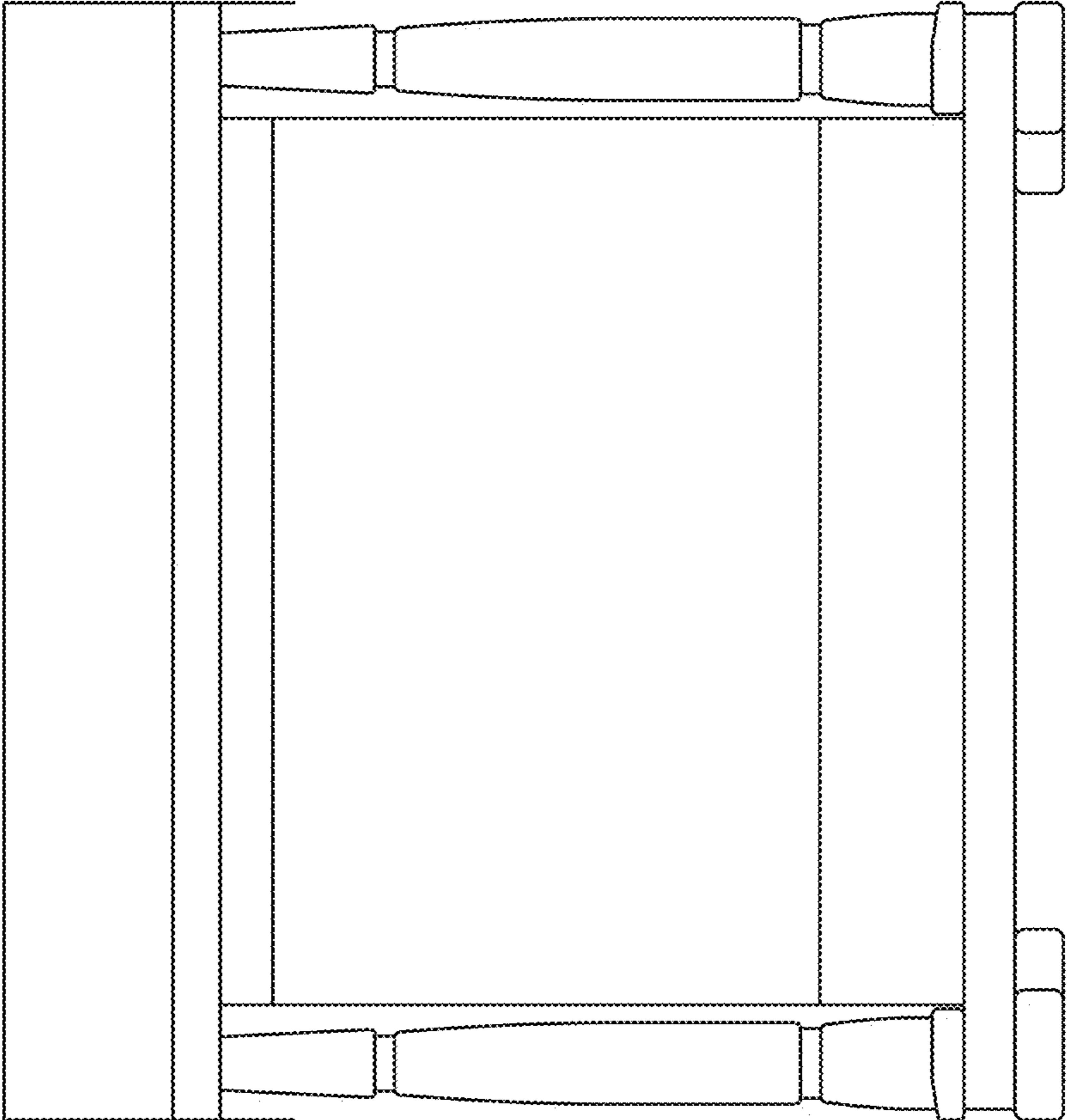


FIG. 14