



US00D717561S

(12) **United States Design Patent**  
**Wurst**

(10) **Patent No.:** **US D717,561 S**

(45) **Date of Patent:** **\*\* Nov. 18, 2014**

(54) **MATTRESS BASE**

(75) Inventor: **Neil Wurst**, Coquitlam (CA)

(73) Assignee: **Drawer Base Concepts, Inc.**, Coquitlam (CA)

(\*\*) Term: **14 Years**

(21) Appl. No.: **29/427,866**

(22) Filed: **Jul. 23, 2012**

D608,560 S \* 1/2010 Chen ..... D6/384  
D692,712 S \* 11/2013 Helser ..... D6/718  
2011/0138534 A1\* 6/2011 Kozel ..... 5/600

\* cited by examiner

*Primary Examiner* — Janice Seeger

(74) *Attorney, Agent, or Firm* — Perkins Coie LLP

(57) **CLAIM**

The ornamental design for a mattress base, as shown and described.

**DESCRIPTION**

FIG. 1 is a perspective view of the design.  
FIG. 2 is a top plan view the design.  
FIG. 3 is a right side view of the design.  
FIG. 4 is a bottom plan view of the design.  
FIG. 5 is a left side view of the design.  
FIG. 6 is a front end view of the design.  
FIG. 7 is a back end view of the design.  
FIG. 8 is a perspective view of the design showing an open drawer.  
FIG. 9 is a front right perspective view showing a second embodiment of the design. The left side and rear views, not shown, form no part of the claimed design; and,  
FIG. 10 is a front right perspective view showing a third embodiment of the design. The left side and rear views, not shown, form no part of the claimed design.  
Any broken lines in the drawing are for illustrative purposes only and form no part of the claimed design.

**Related U.S. Application Data**

(63) Continuation-in-part of application No. 29/426,926, filed on Jul. 11, 2012.

(51) **LOC (10) Cl.** ..... **06-02**

(52) **U.S. Cl.**  
USPC ..... **D6/384**; D6/382

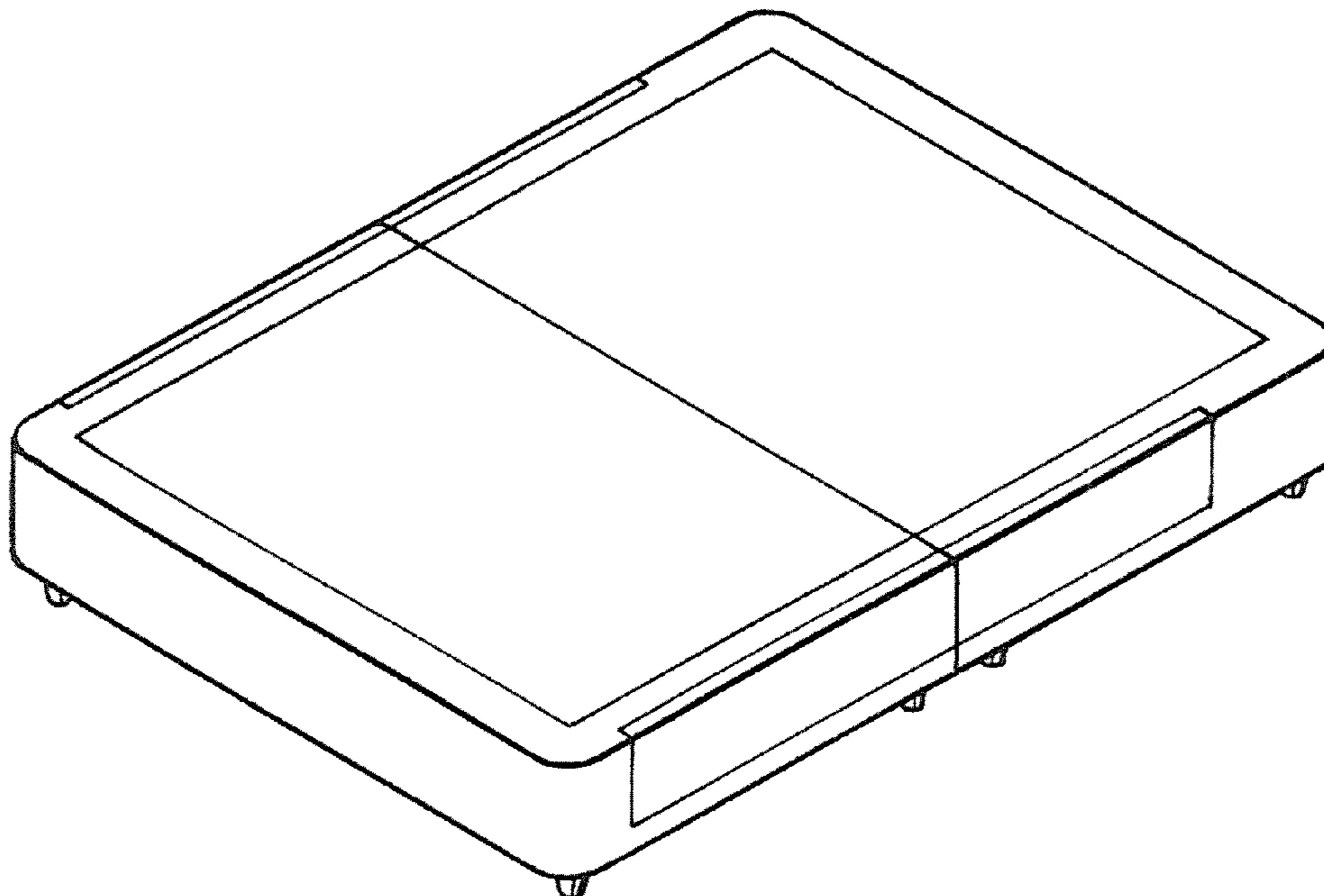
(58) **Field of Classification Search**  
USPC ..... D6/382-384, 605; 5/2.1, 308, 131, 907  
See application file for complete search history.

(56) **References Cited**

**U.S. PATENT DOCUMENTS**

2,432,379 A \* 12/1947 Butler ..... 5/2.1  
2,462,524 A \* 2/1949 Mattedi ..... 5/308  
D264,889 S \* 6/1982 Thomas, II ..... D6/384  
4,617,689 A \* 10/1986 Nelson et al. .... 5/400  
D288,874 S \* 3/1987 Yosimoto ..... D6/382  
D316,939 S \* 5/1991 Chambers, Jr. .... D6/382

**1 Claim, 5 Drawing Sheets**



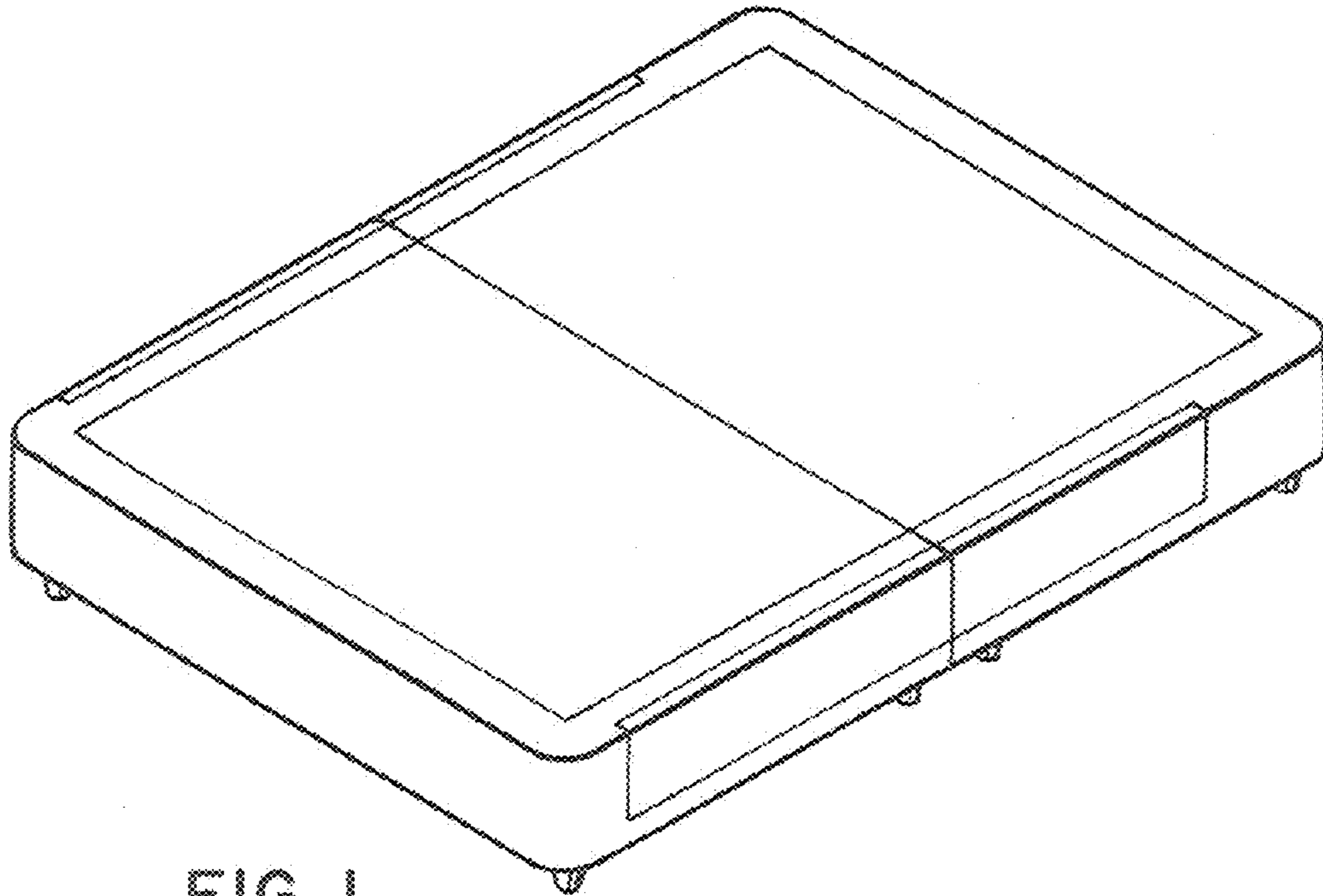


FIG. 1

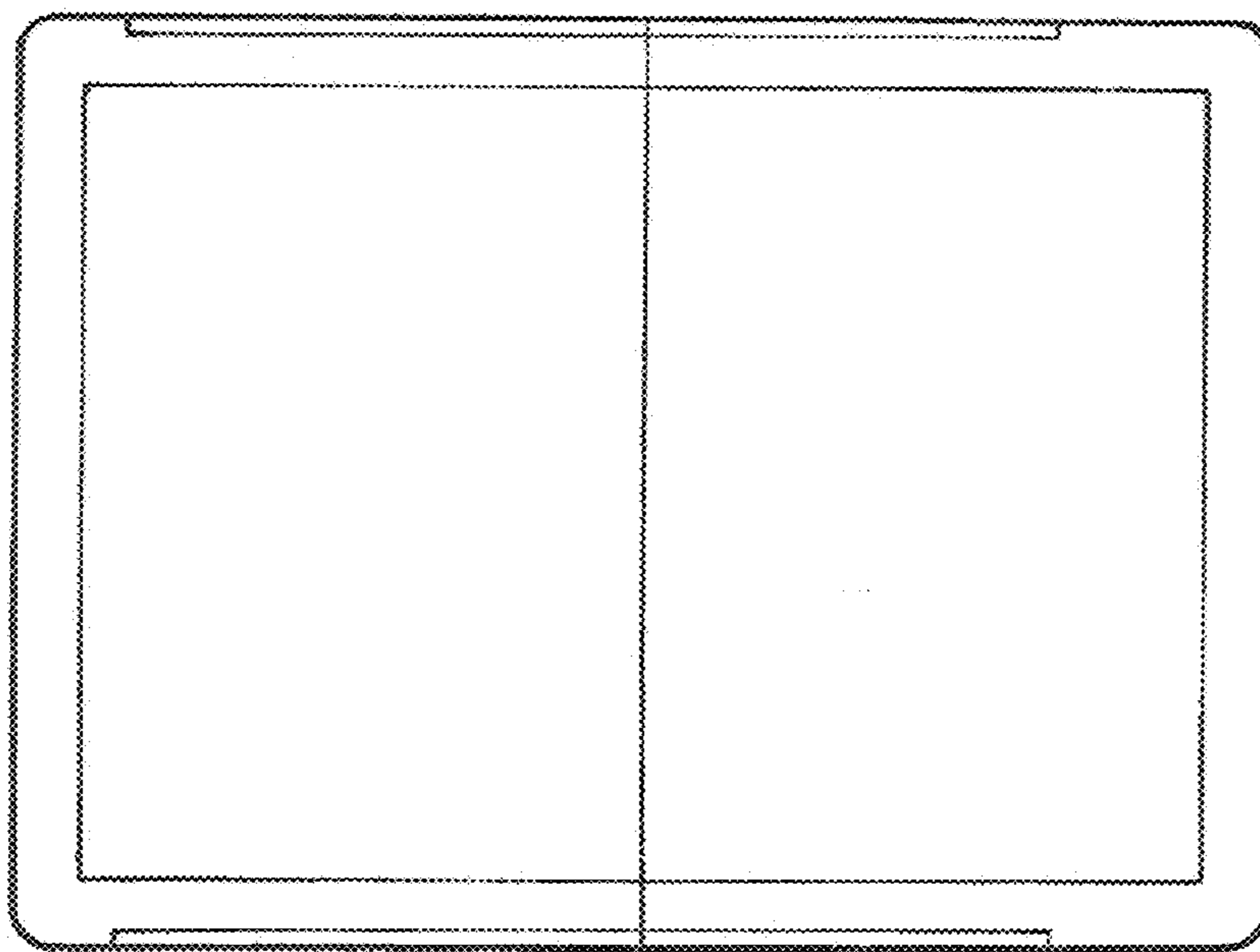


FIG. 2

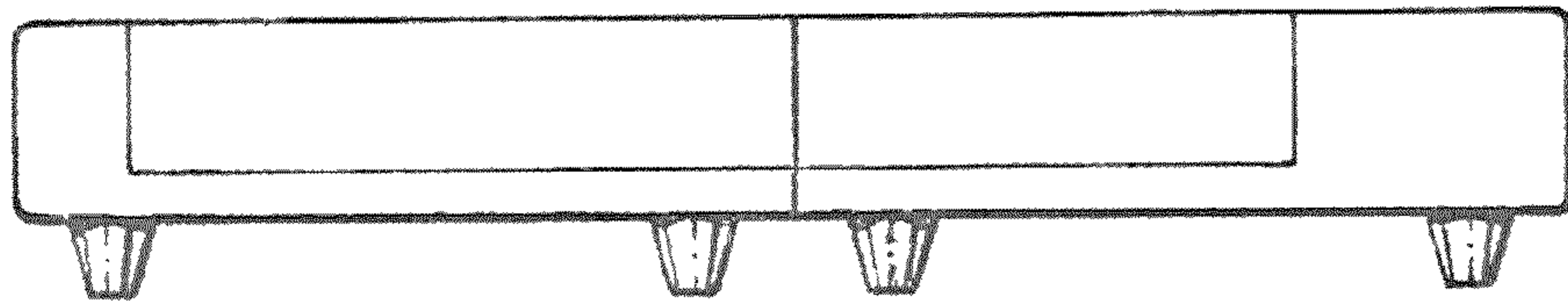


FIG. 3

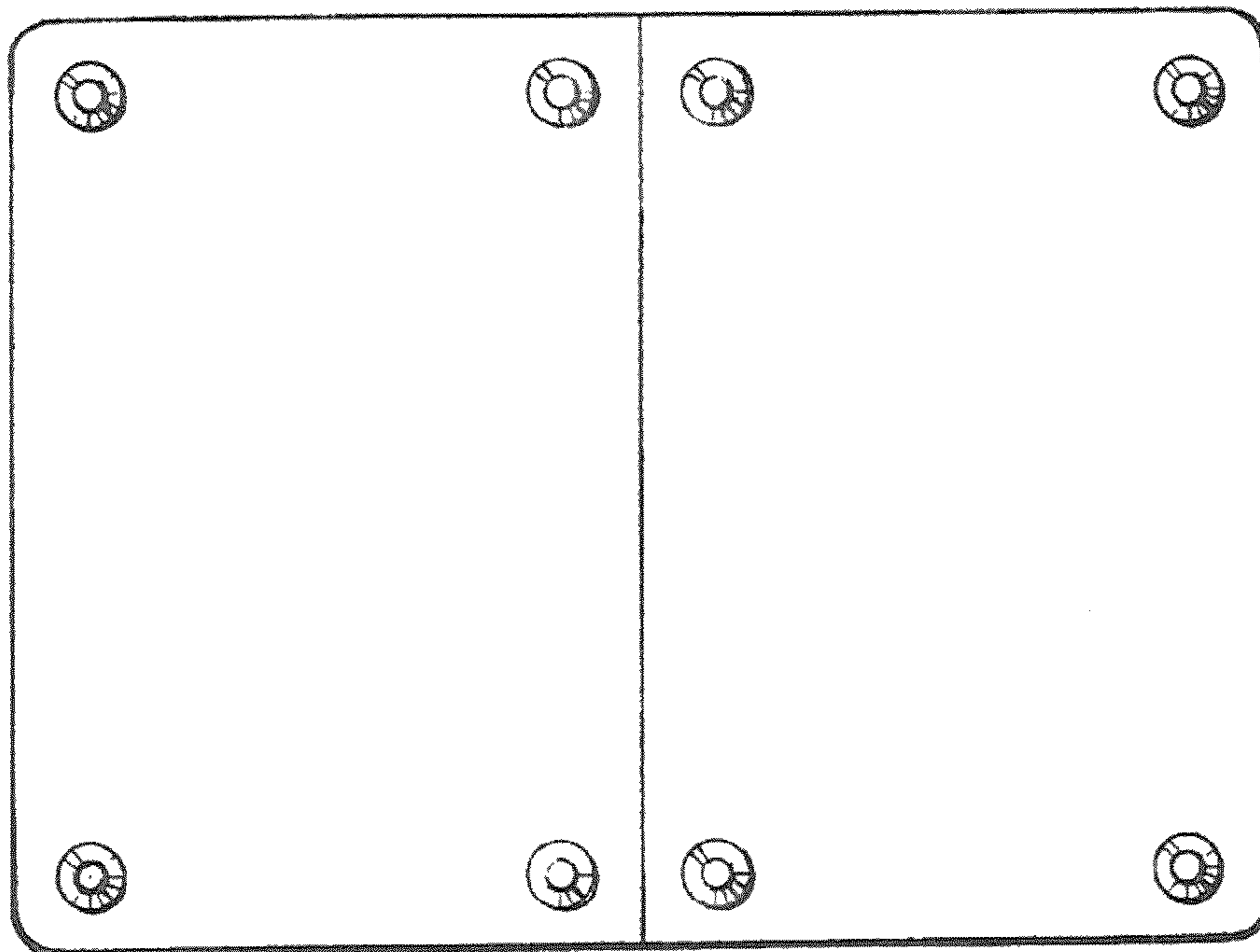


FIG. 4

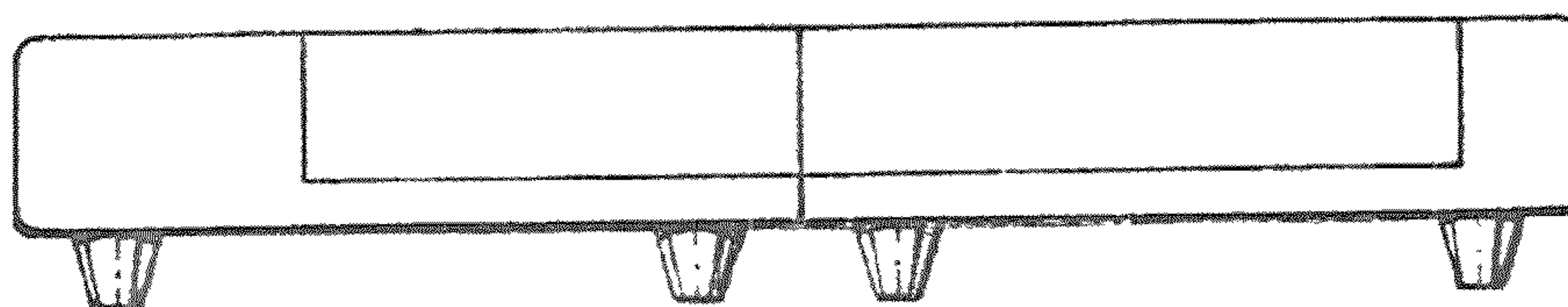


FIG. 5

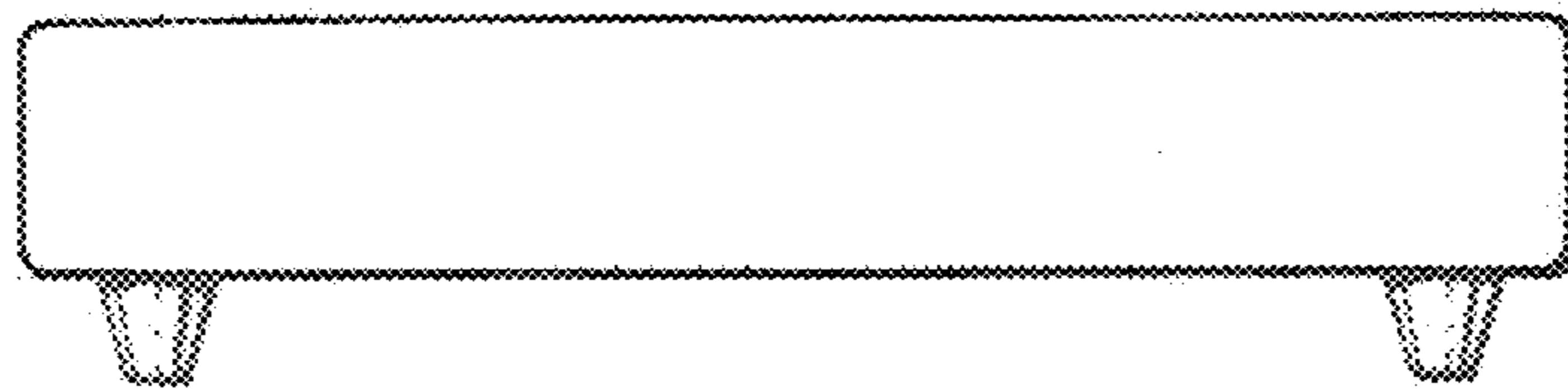


FIG. 6

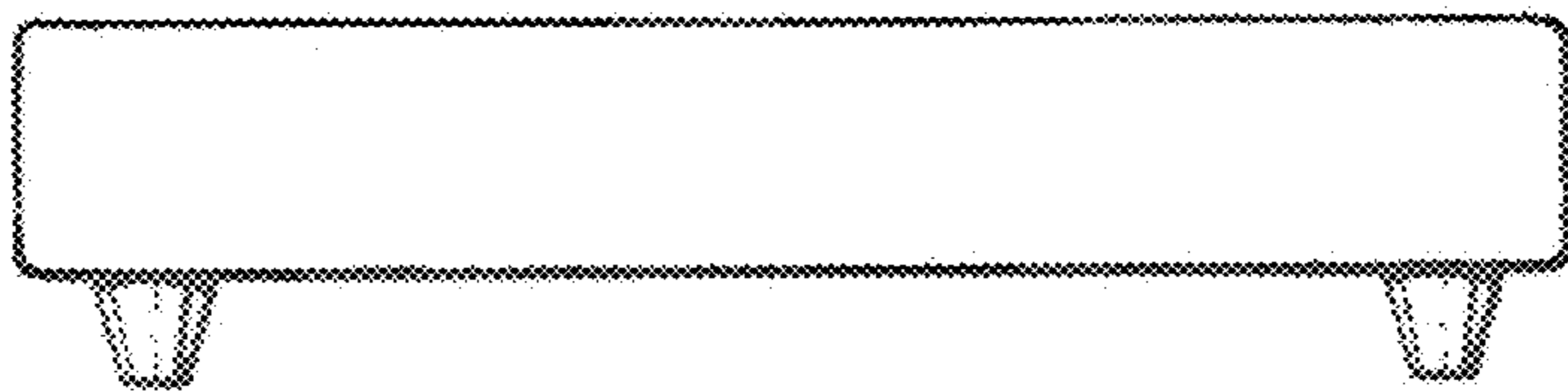


FIG. 7

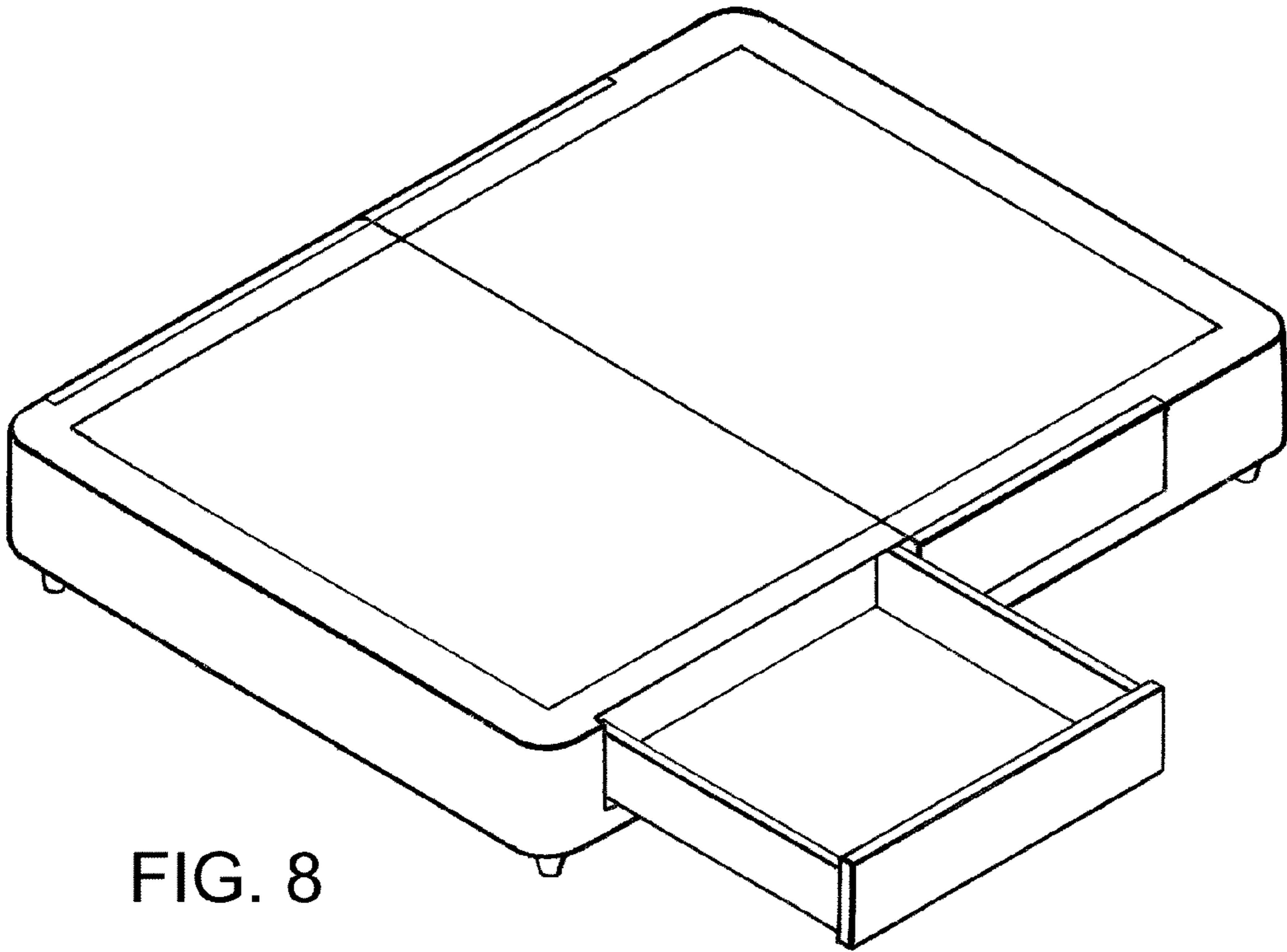


FIG. 8

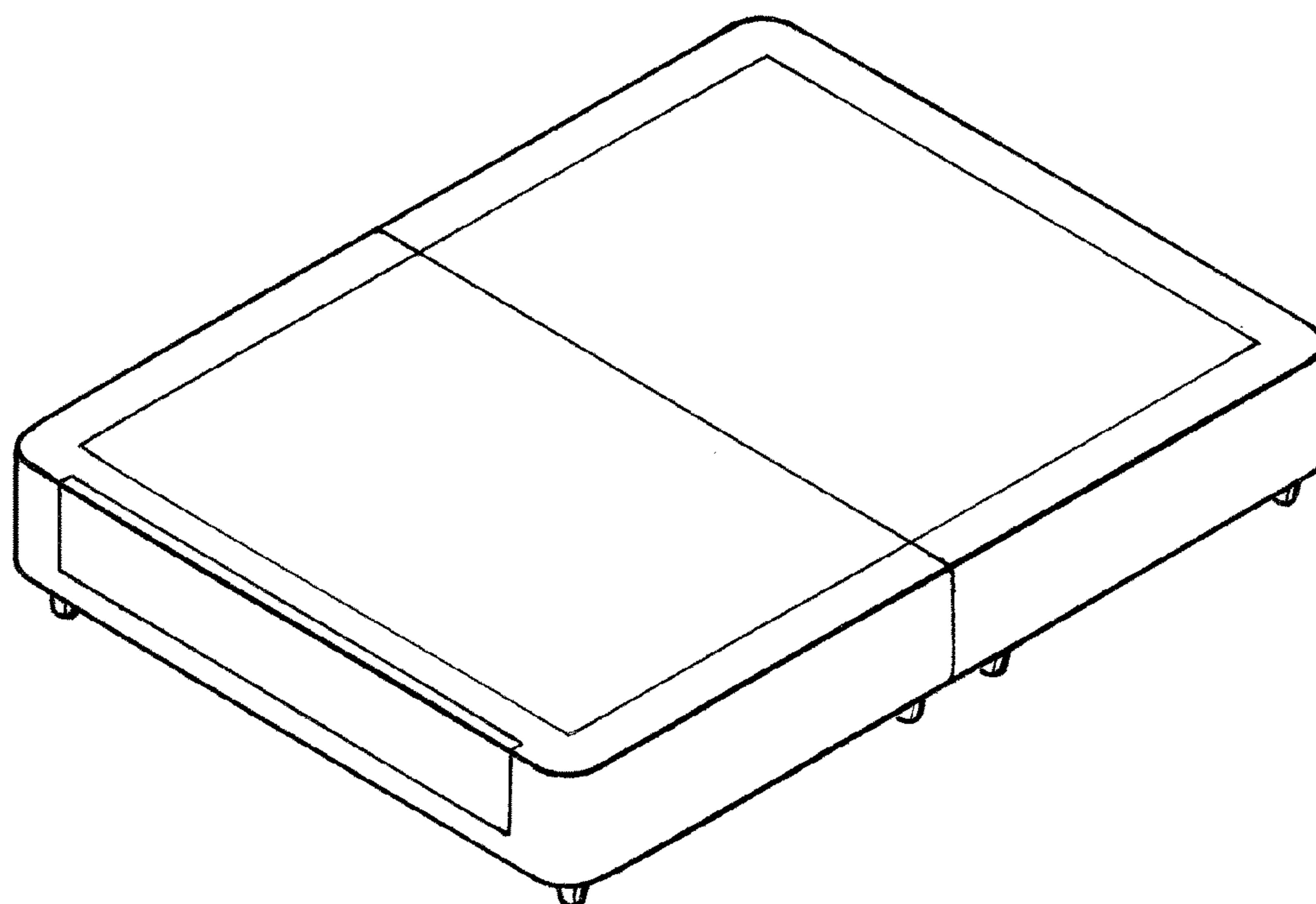


FIG. 9

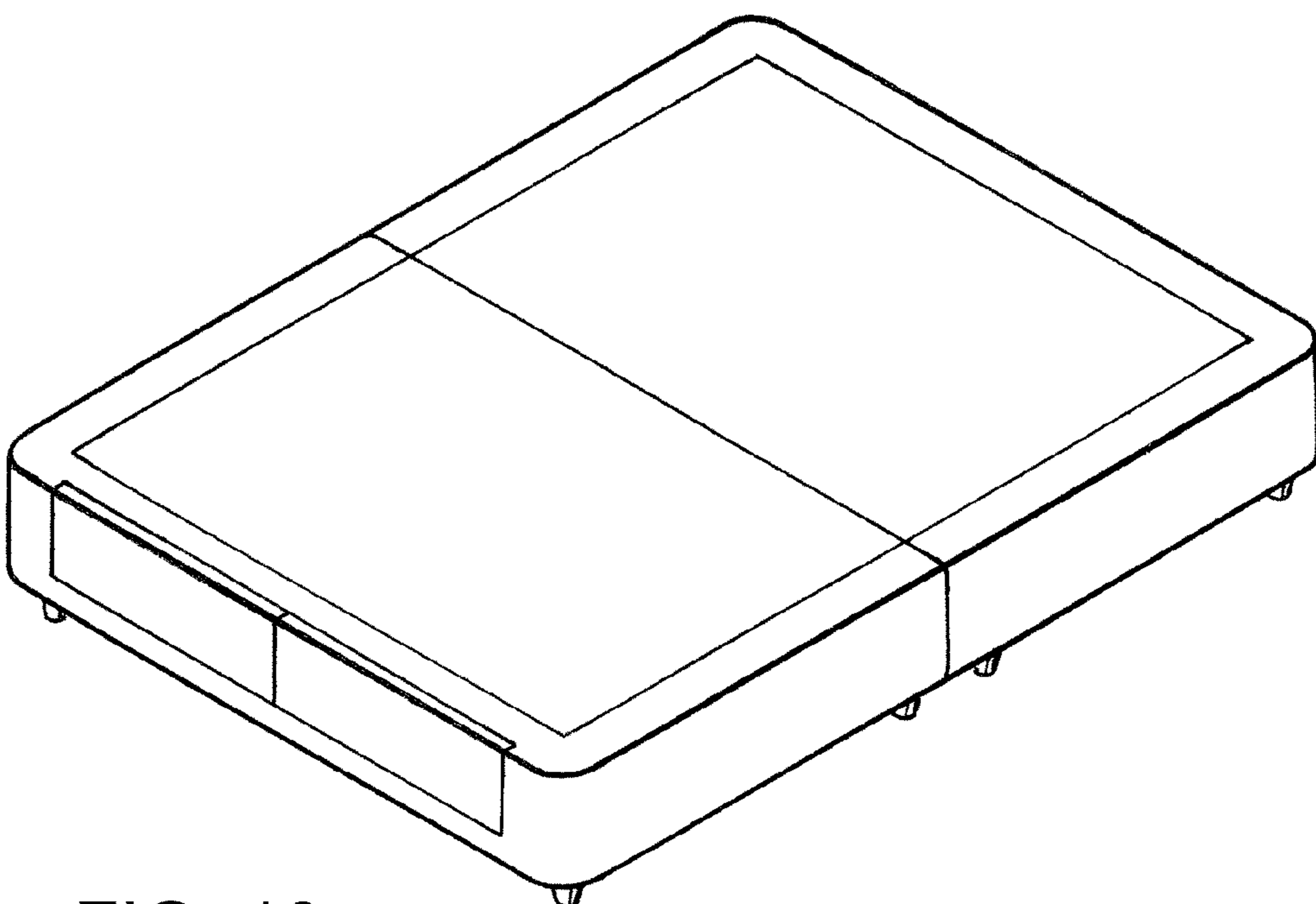


FIG. 10