



US00D717554S

(12) **United States Design Patent**
Kapka et al.

(10) **Patent No.:** **US D717,554 S**
(45) **Date of Patent:** **** Nov. 18, 2014**

(54) **BENCH**

(75) Inventors: **Mark Kapka**, San Francisco, CA (US);
Alan Ernest Rheault, Grand Rapids, MI
(US); **Karl Jahn Mead**, East Grand
Rapids, MI (US)

(73) Assignee: **Steelcase Inc.**, Grand Rapids, MI (US)

(**) Term: **14 Years**

(21) Appl. No.: **29/430,841**

(22) Filed: **Aug. 30, 2012**

(51) **LOC (10) Cl.** **06-01**

(52) **U.S. Cl.**
USPC **D6/349**

(58) **Field of Classification Search**

CPC A47C 3/18-3/20; A47C 5/02; A47C 9/00;
A47C 11/00; A47C 13/00; A47C 9/06;
A47C 7/16

USPC D6/330, 337, 341, 346, 349-355, 357,
D6/362, 364-373, 376, 377, 381, 645, 656,
D6/658, 665, 674, 675.5, 676, 685-692,
D6/694, 704, 705, 707, 707.19, 708,
D6/716.1-716.6, 717, 717.2; 297/423.12,
297/423.13, 423.37, 461, 462, 115, 116,
297/135, 160-162

See application file for complete search history.

(56) **References Cited**

U.S. PATENT DOCUMENTS

974,018 A * 10/1910 Binckley 108/146
D93,232 S 5/1933 McChesney et al.
D181,730 S 12/1957 Jones et al.
D184,081 S 12/1958 Belz
2,912,046 A 11/1959 Fuerst

D233,190 S 10/1974 Shearin et al.
D241,485 S 9/1976 Blodee
D246,142 S 10/1977 Heumann
D270,595 S 9/1983 Yates
D335,964 S 6/1993 Diaz Azcuy
D396,962 S 8/1998 Lewis
D415,360 S 10/1999 Lewis
D561,487 S 2/2008 Schweikarth et al.
D597,328 S 8/2009 Schweikarth et al.
D614,876 S 5/2010 Metcalf et al.

(Continued)

Primary Examiner — Susan Bennett Hattan

Assistant Examiner — Vy Koenig

(57) **CLAIM**

We claim the ornamental design for a bench, as shown and described.

DESCRIPTION

FIG. 1 is a front perspective view of a bench, according to one embodiment;

FIG. 2 is a front view of a bench of FIG. 1, the rear view is a mirror image of the front view of FIG. 2;

FIG. 3 is a right side view of a bench of FIG. 1, the left side view is a mirror image of the right side view of FIG. 3;

FIG. 4 is a top view of a bench of FIG. 1;

FIG. 5 is a bottom view of a bench of FIG. 1;

FIG. 6 is a front perspective view of a bench according to a second embodiment;

FIG. 7 is a front view of a bench of FIG. 6, the rear view is a mirror image of the front view of FIG. 7;

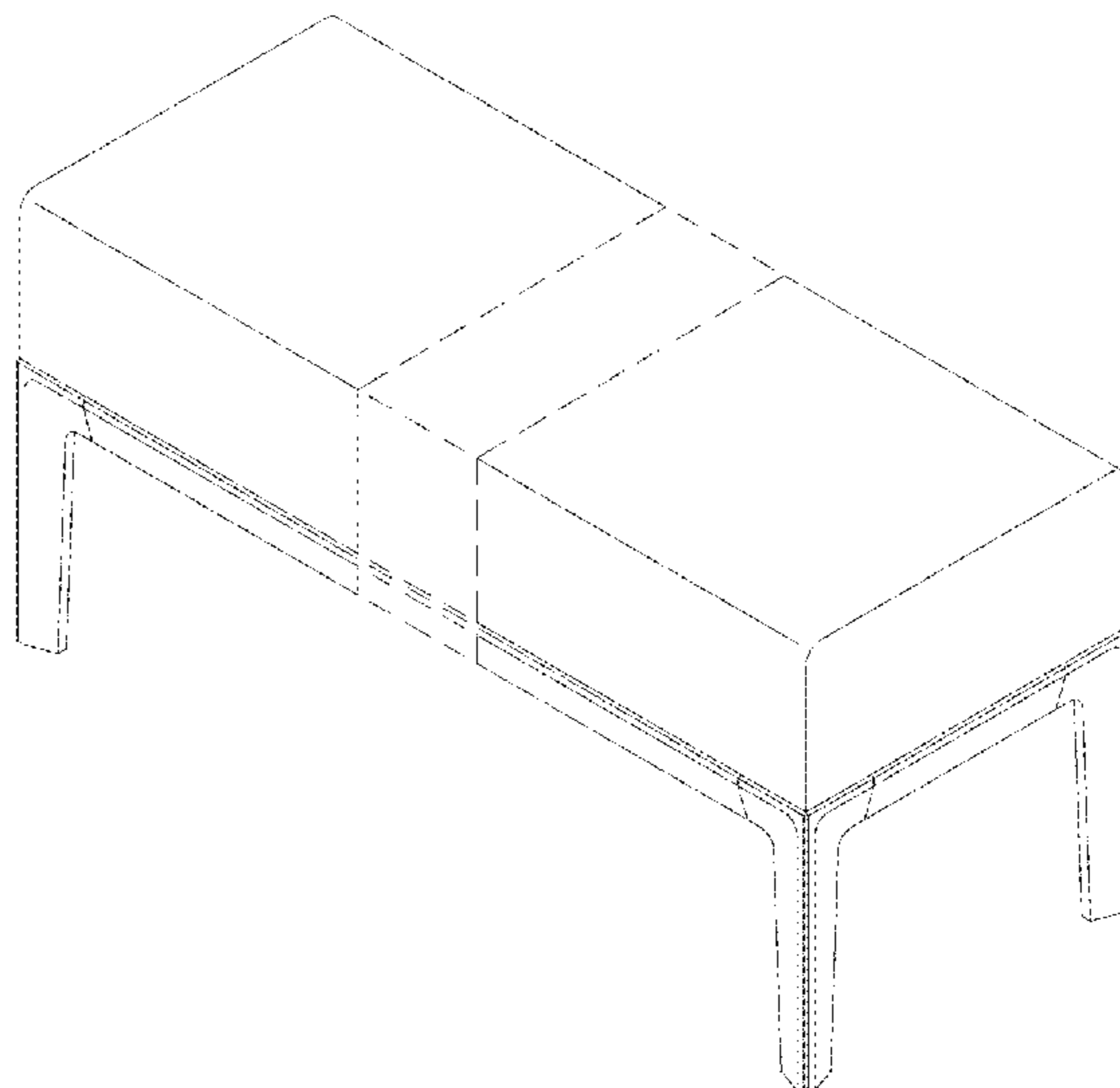
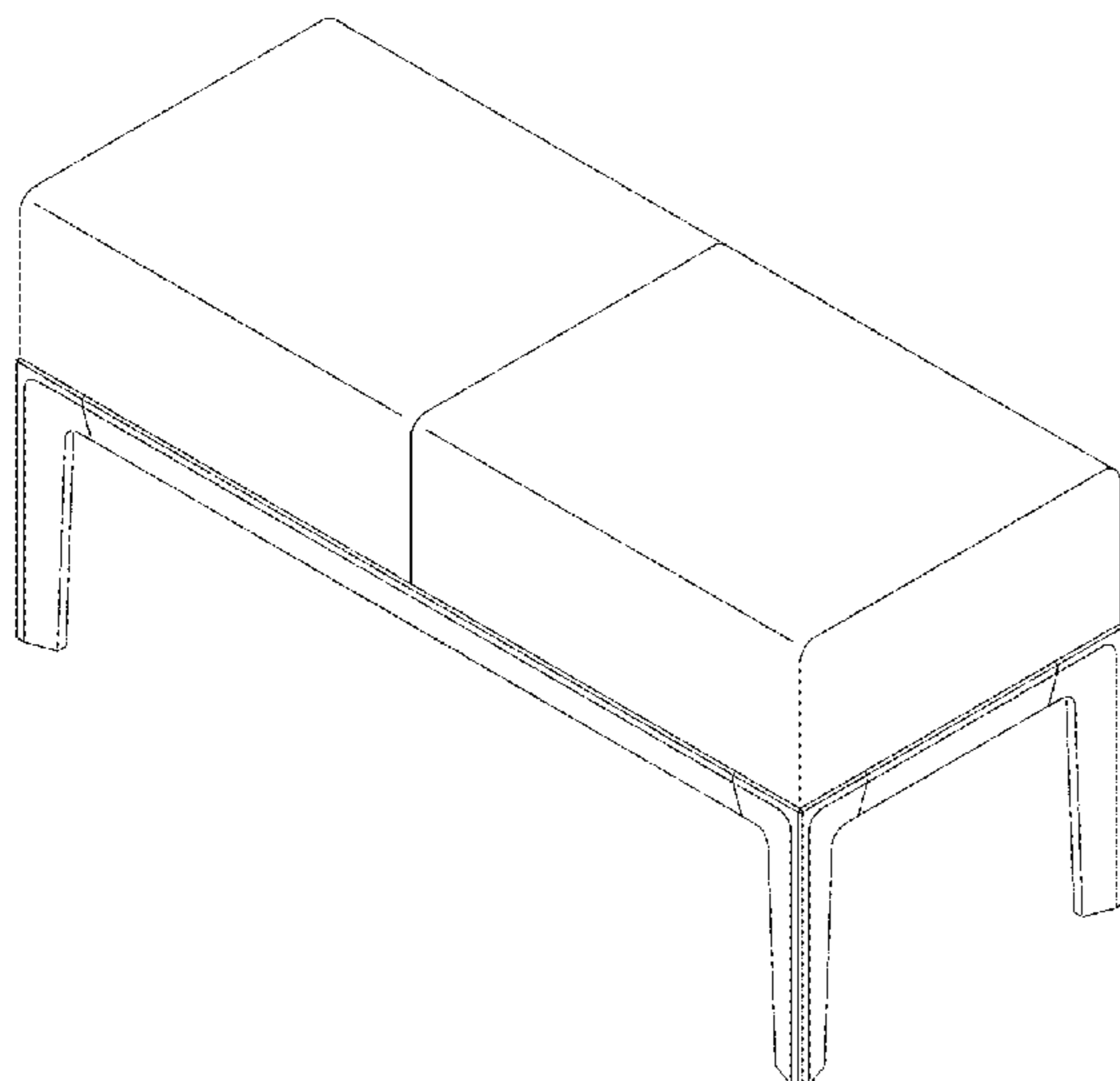
FIG. 8 is a right side view of a bench of FIG. 6, the left side view is a mirror image of the right side view of FIG. 8;

FIG. 9 is a top view of a bench of FIG. 6; and,

FIG. 10 is a bottom view of a bench of FIG. 6.

The broken lines are for purposes of illustrating environmental structure and form no part of the claimed design.

1 Claim, 4 Drawing Sheets



US D717,554 S

Page 2

(56)

References Cited

U.S. PATENT DOCUMENTS

D618,935 S 7/2010 Metcalf et al.

D674,616 S * 1/2013 Frankel D6/349

D685,198 S * 7/2013 Arko et al. D6/349

D689,291 S * 9/2013 Kapka et al. D6/335

D693,163 S * 11/2013 Kapka et al. D6/709

* cited by examiner

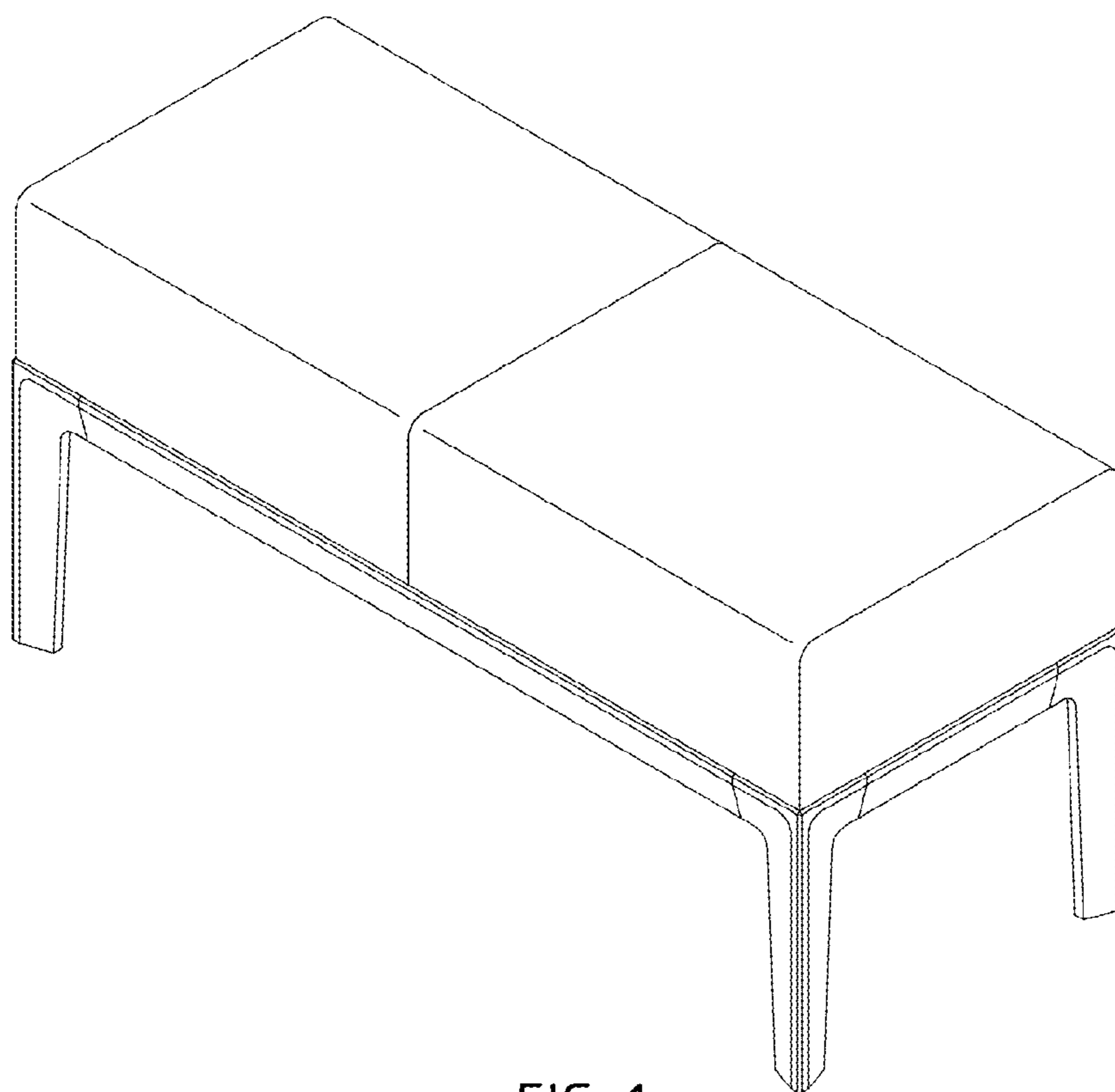


FIG. 1

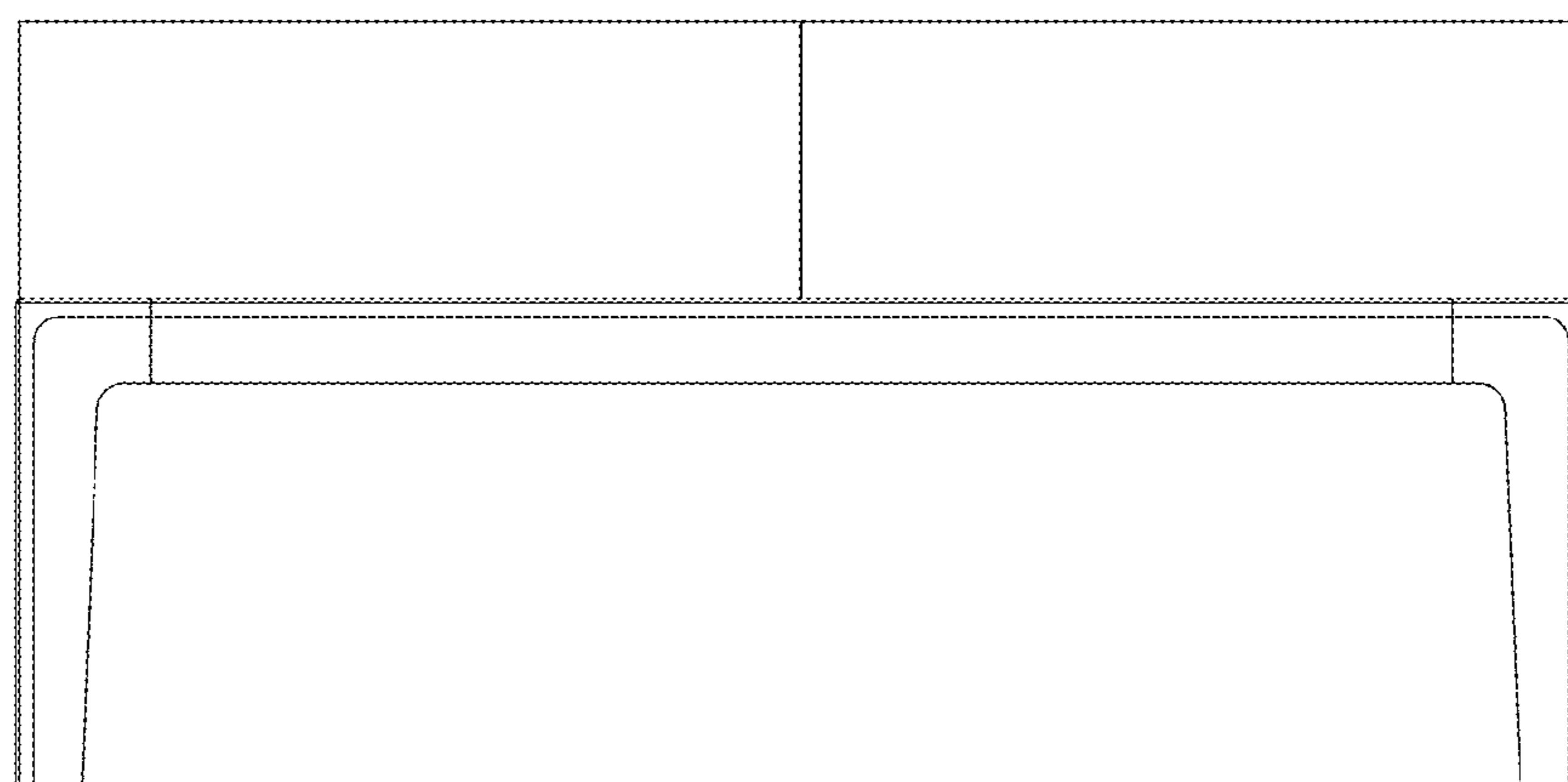


FIG. 2

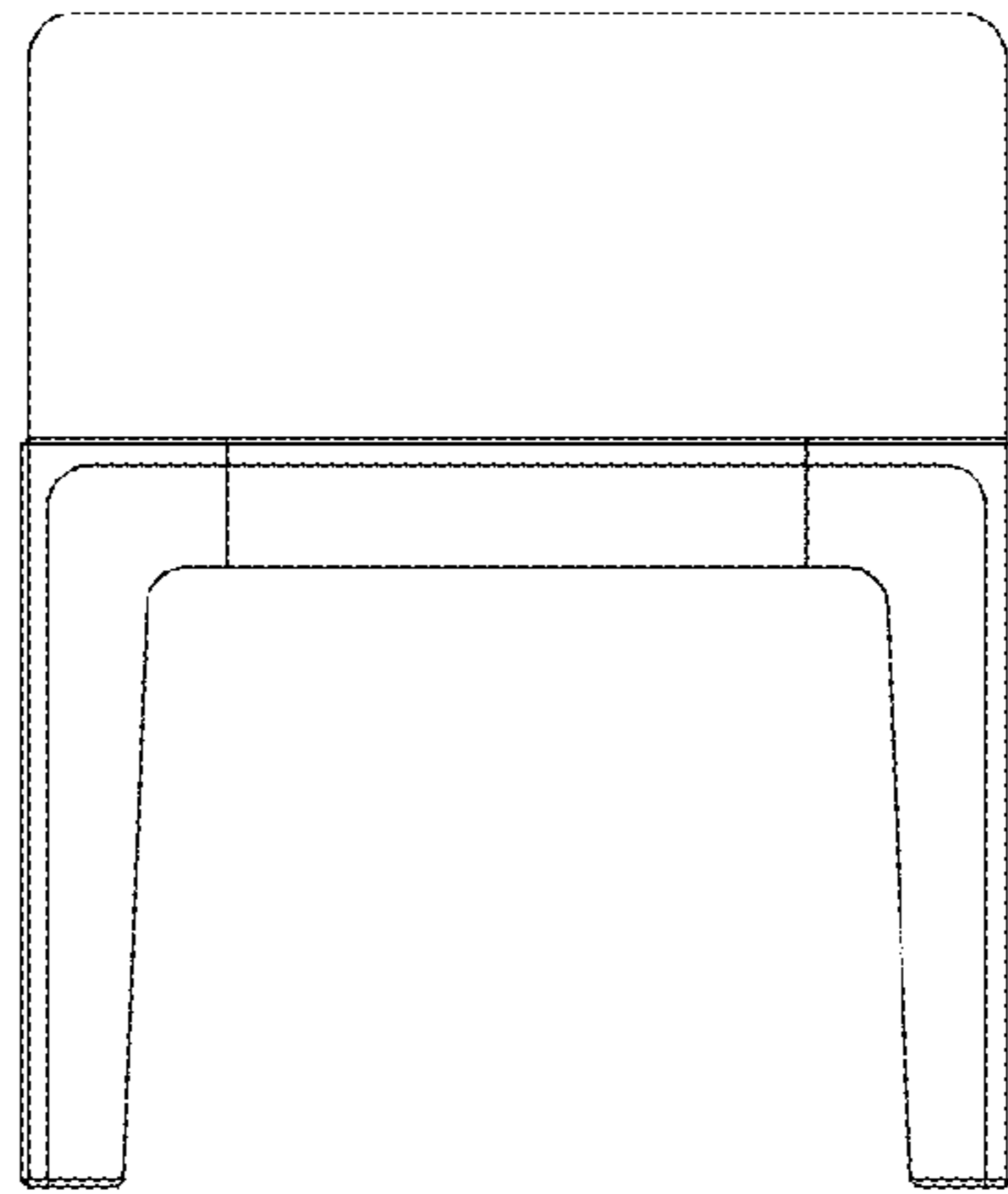


FIG. 3

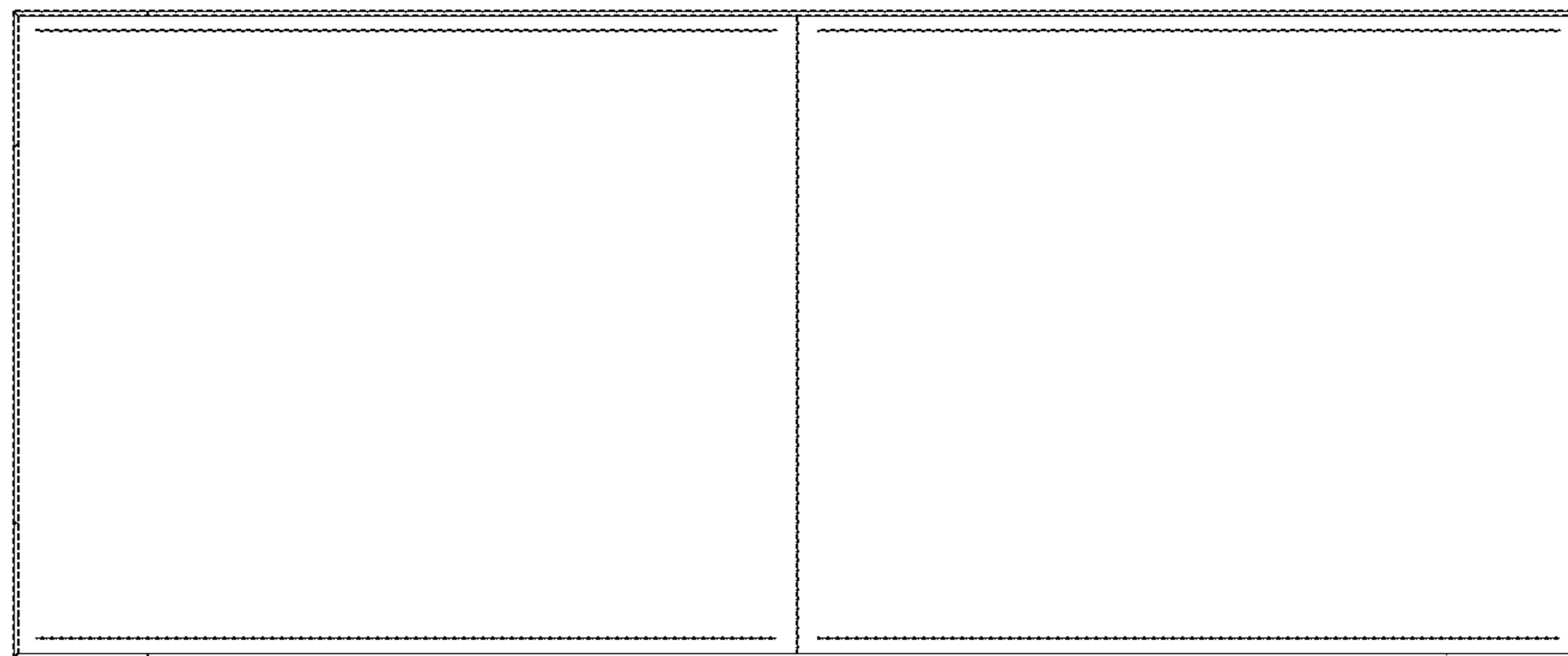


FIG. 4

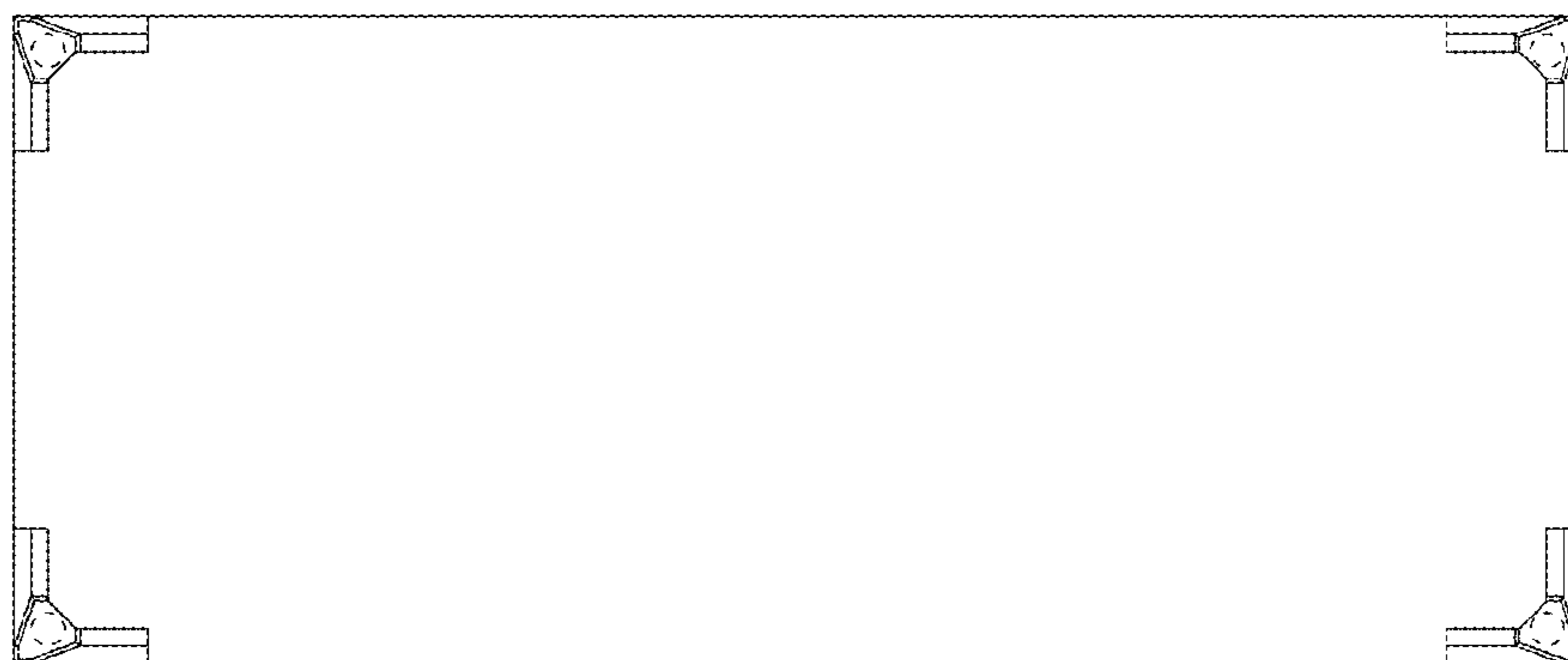


FIG. 5

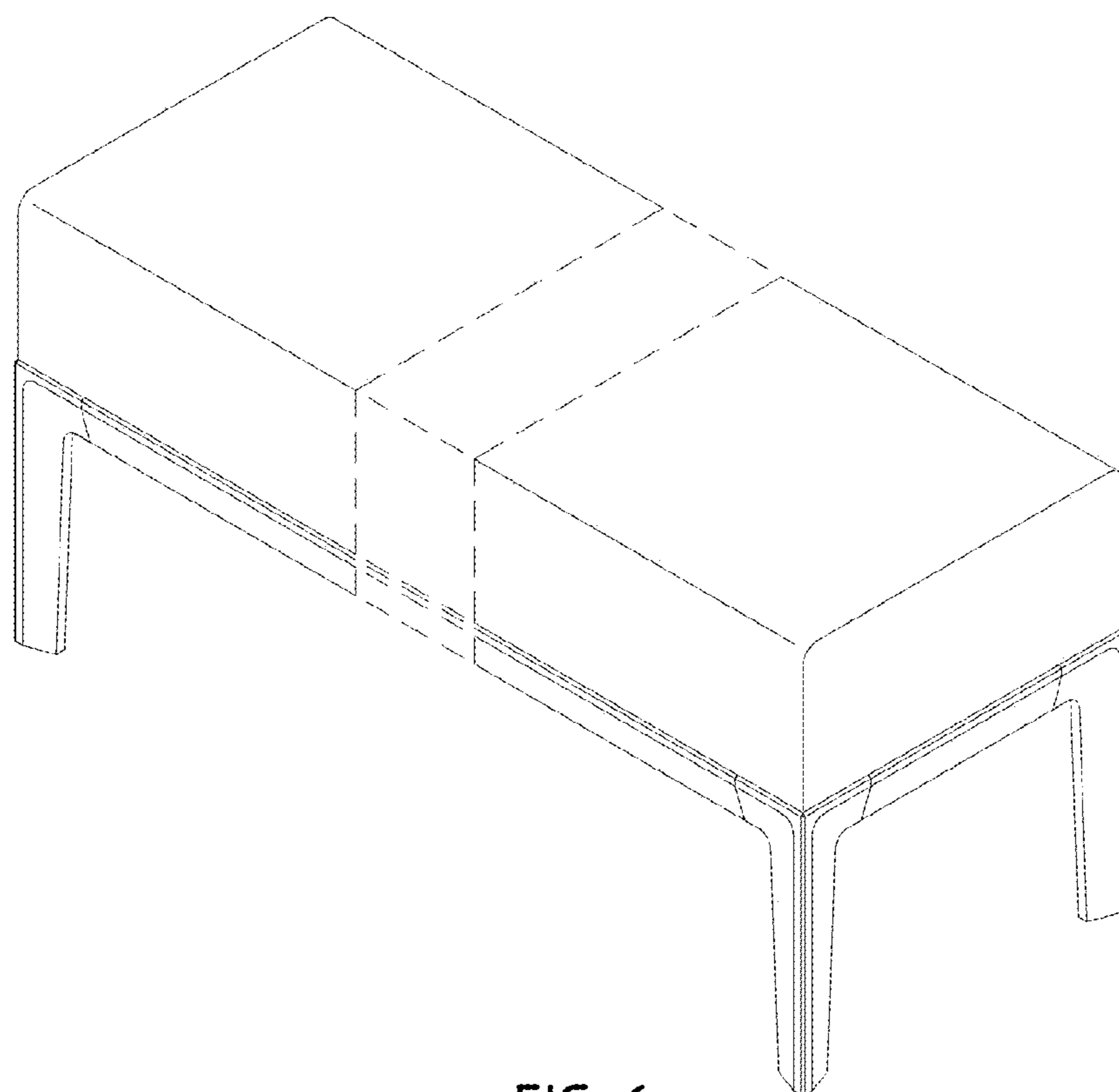


FIG. 6

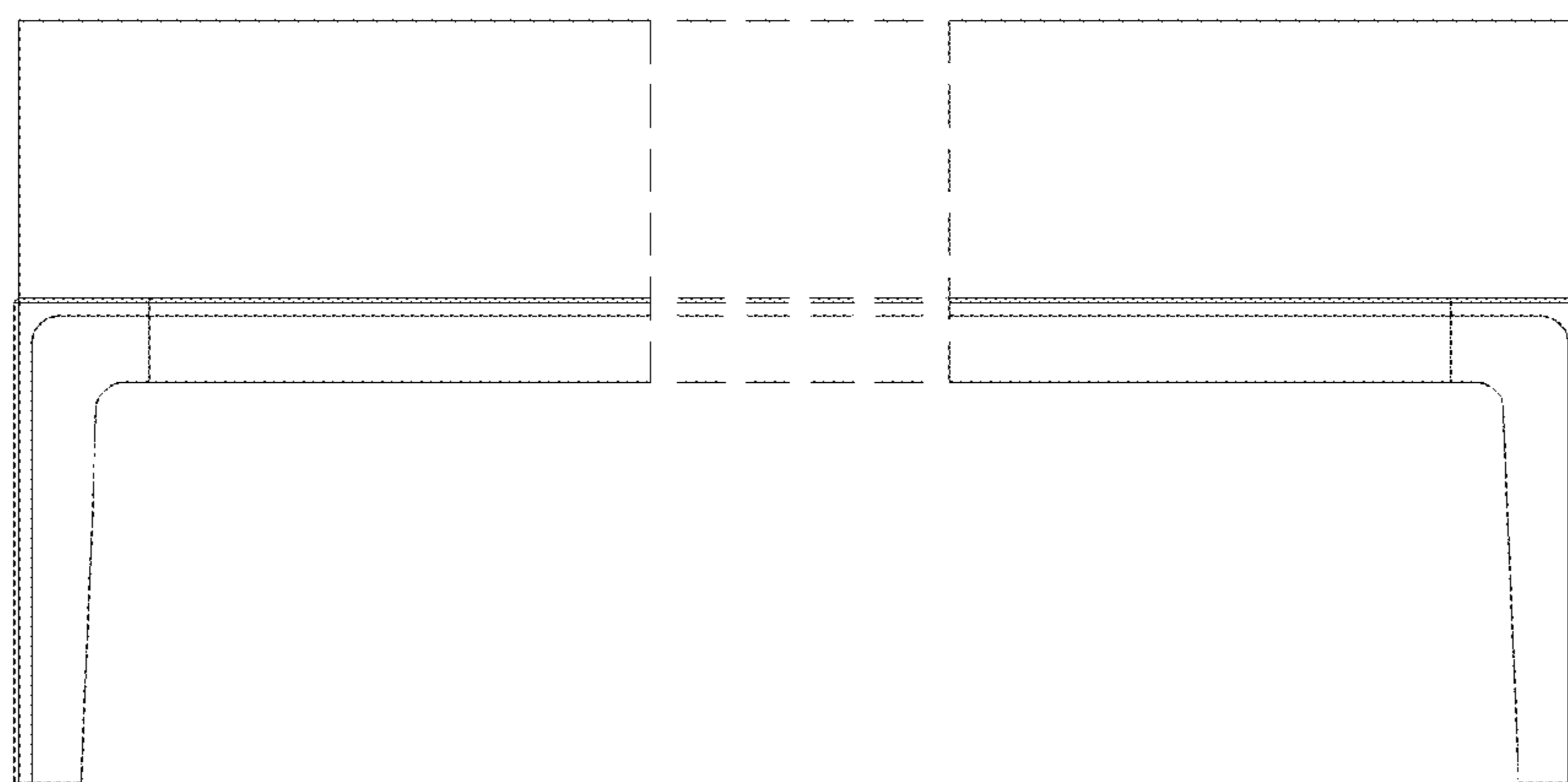


FIG. 7

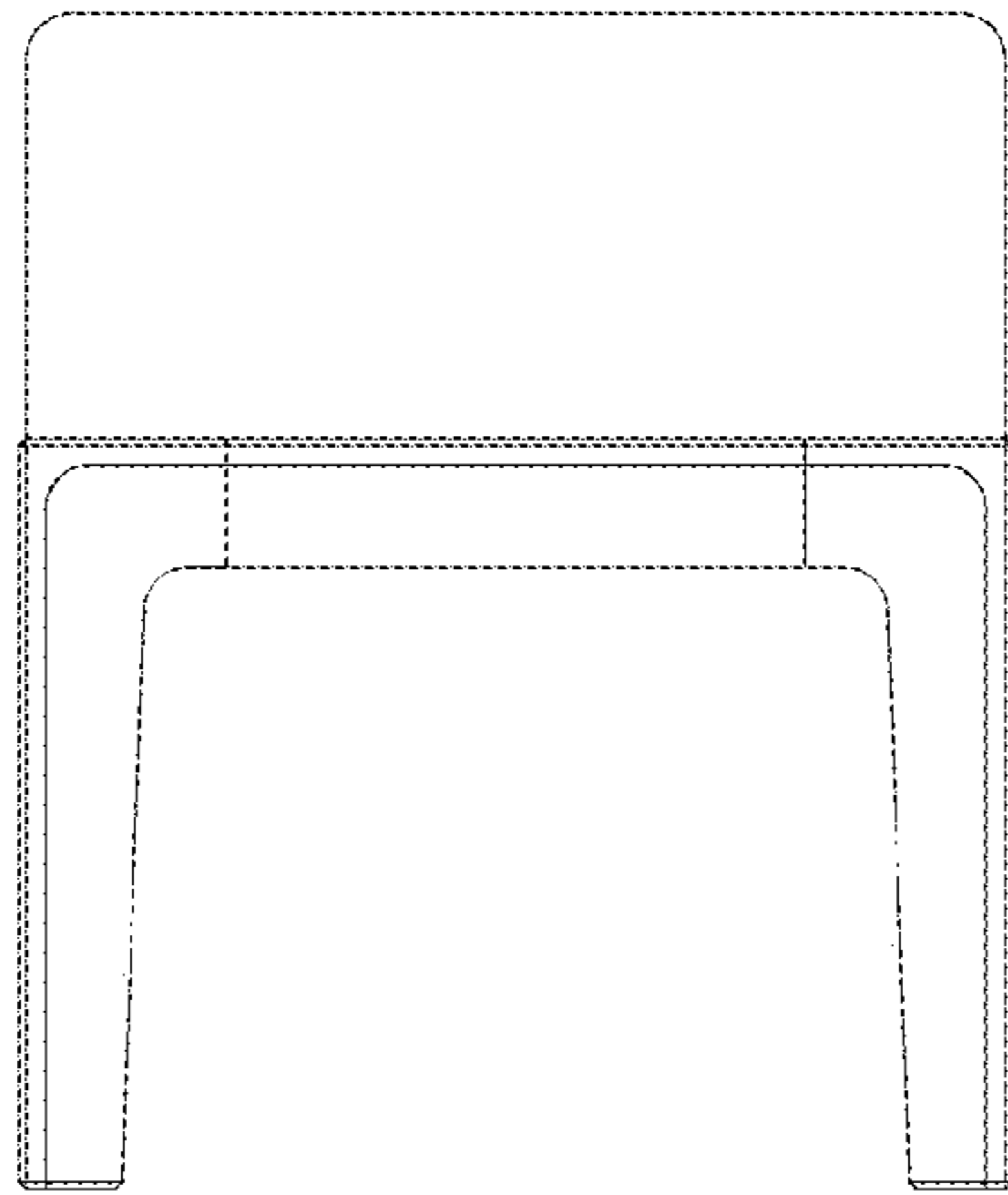


FIG. 8

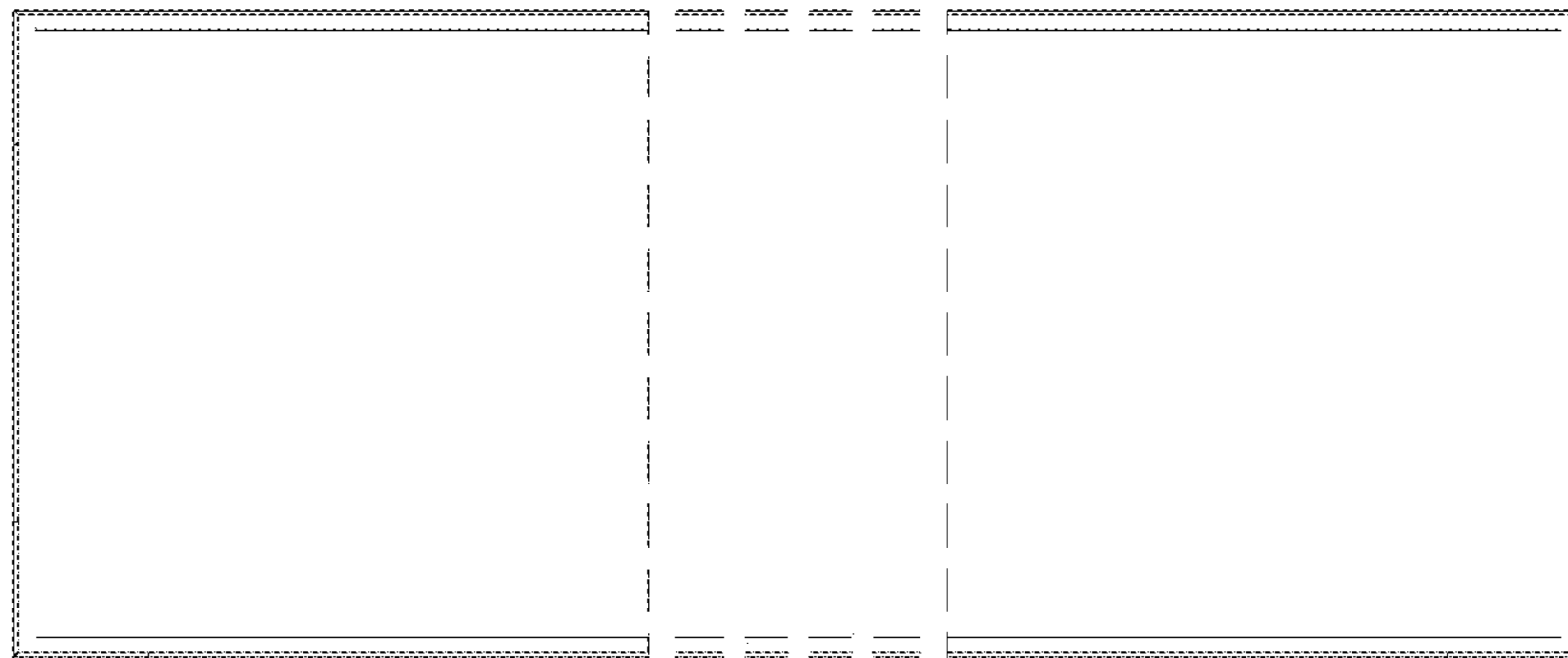


FIG. 9



FIG. 10