



US00D717551S

(12) **United States Design Patent**
Berger

(10) **Patent No.:** **US D717,551 S**

(45) **Date of Patent:** **** Nov. 18, 2014**

(54) **CLOTHES HANGER**

(71) Applicant: **Andy L Berger**, Woodbridge, IL (US)

(72) Inventor: **Andy L Berger**, Woodbridge, IL (US)

(**) Term: **14 Years**

(21) Appl. No.: **29/491,265**

(22) Filed: **May 19, 2014**

(51) **LOC (10) Cl.** **06-08**

(52) **U.S. Cl.**
USPC **D6/328**

(58) **Field of Classification Search**

CPC A47G 25/14; A47G 25/18; A47G 25/28;
A47G 25/36; A47G 25/74; A47G 25/442;
A47G 25/743; Y10S 223/01; A47F 7/12;
A47F 7/19

USPC D6/315-328, 672; 223/85-98; 211/10,
211/13.1, 85.2, 86.01, 87.01, 113

See application file for complete search history.

(56) **References Cited**

U.S. PATENT DOCUMENTS

2,576,612 A * 11/1951 Latvala 223/88
D242,414 S * 11/1976 Salladay D6/315

D301,187 S * 5/1989 Lohnis D6/319
D334,292 S * 3/1993 Klein et al. D6/317
D583,574 S * 12/2008 Gamboa D6/328
D607,215 S * 1/2010 Mangano D6/315
D704,458 S * 5/2014 Berger D6/315

* cited by examiner

Primary Examiner — Derrick Holland

Assistant Examiner — Lauren Calve

(57) **CLAIM**

The ornamental design for a clothes hanger, as shown and described.

DESCRIPTION

FIG. 1 is a perspective view of a clothes hanger;

FIG. 2 is a front elevational view thereof;

FIG. 3 is a rear elevational view thereof;

FIG. 4 is a right side elevational view thereof;

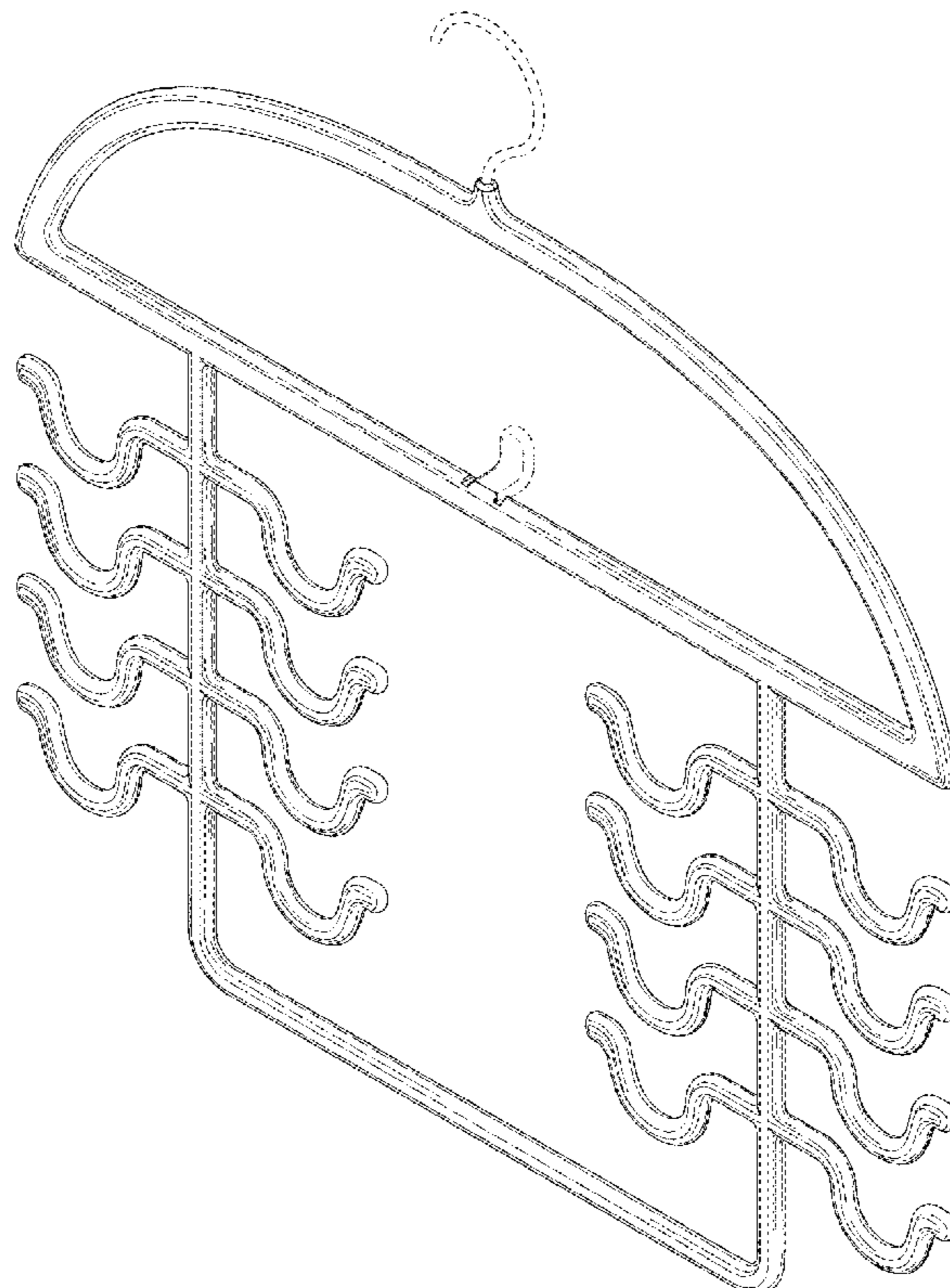
FIG. 5 is a left side elevational view thereof;

FIG. 6 is a top plan view thereof; and,

FIG. 7 is a bottom plan view thereof.

The broken lines shown represent unclaimed subject matter and form no part of the claimed design.

1 Claim, 7 Drawing Sheets



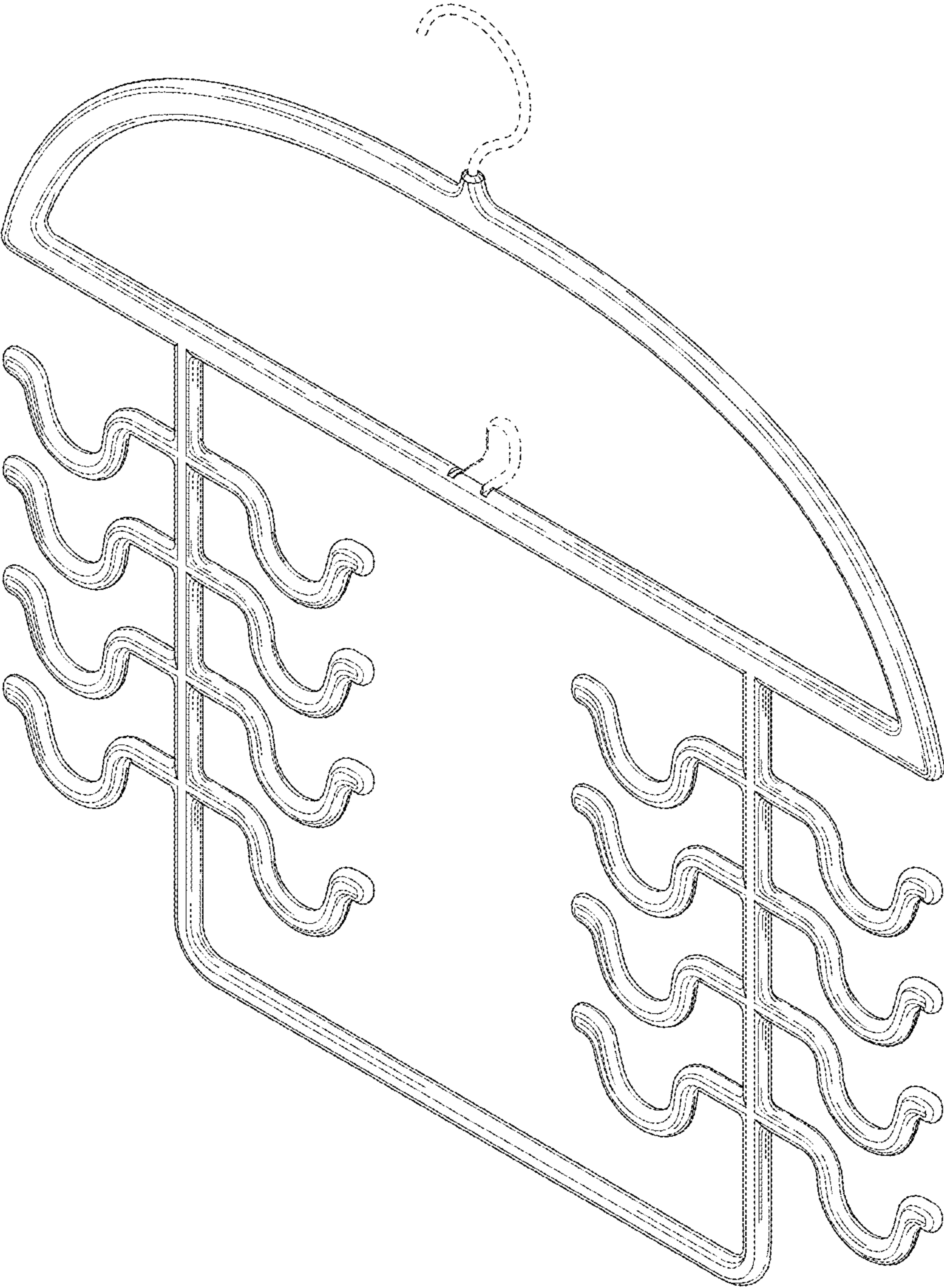


FIG. 1

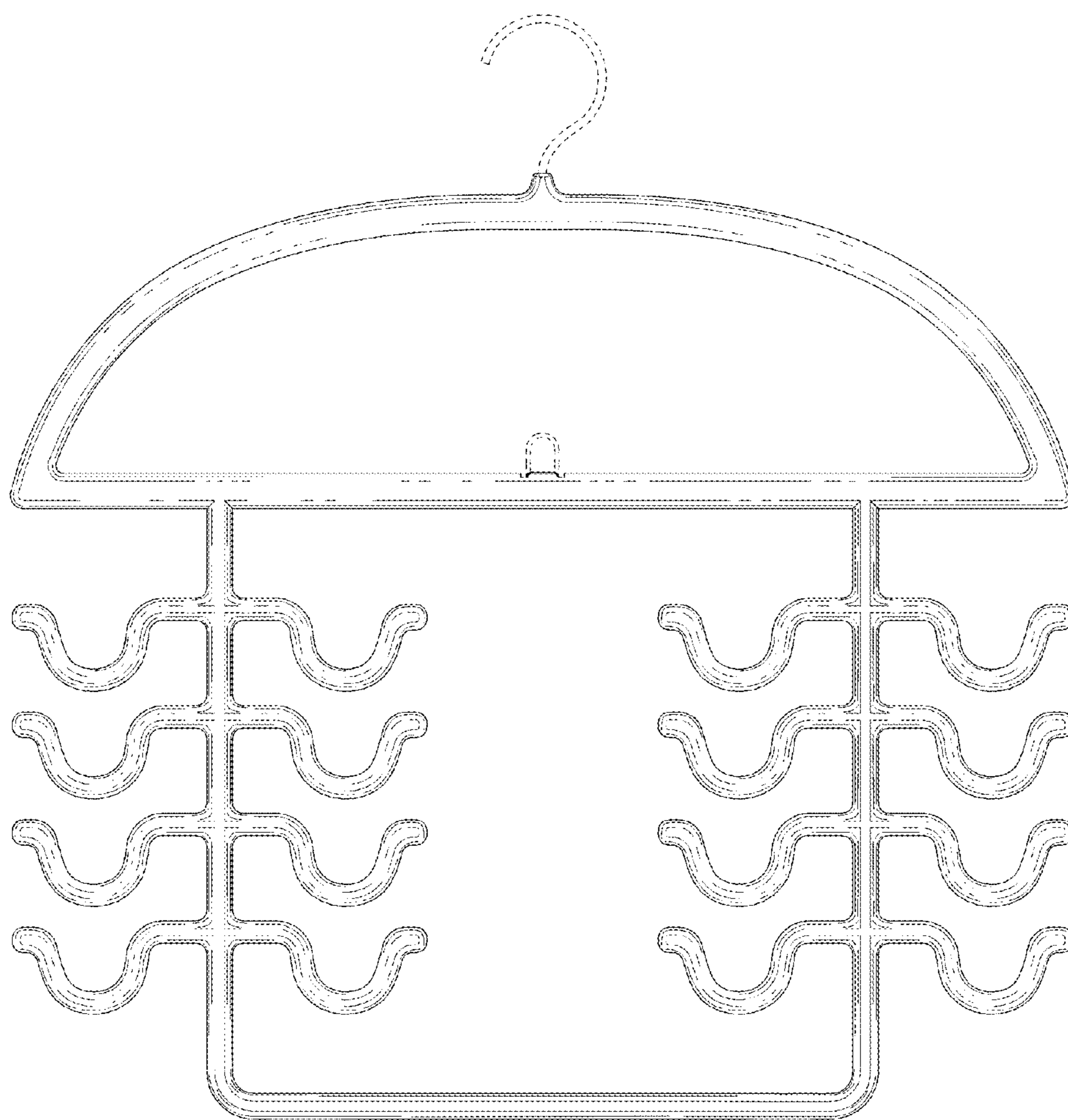


FIG. 2

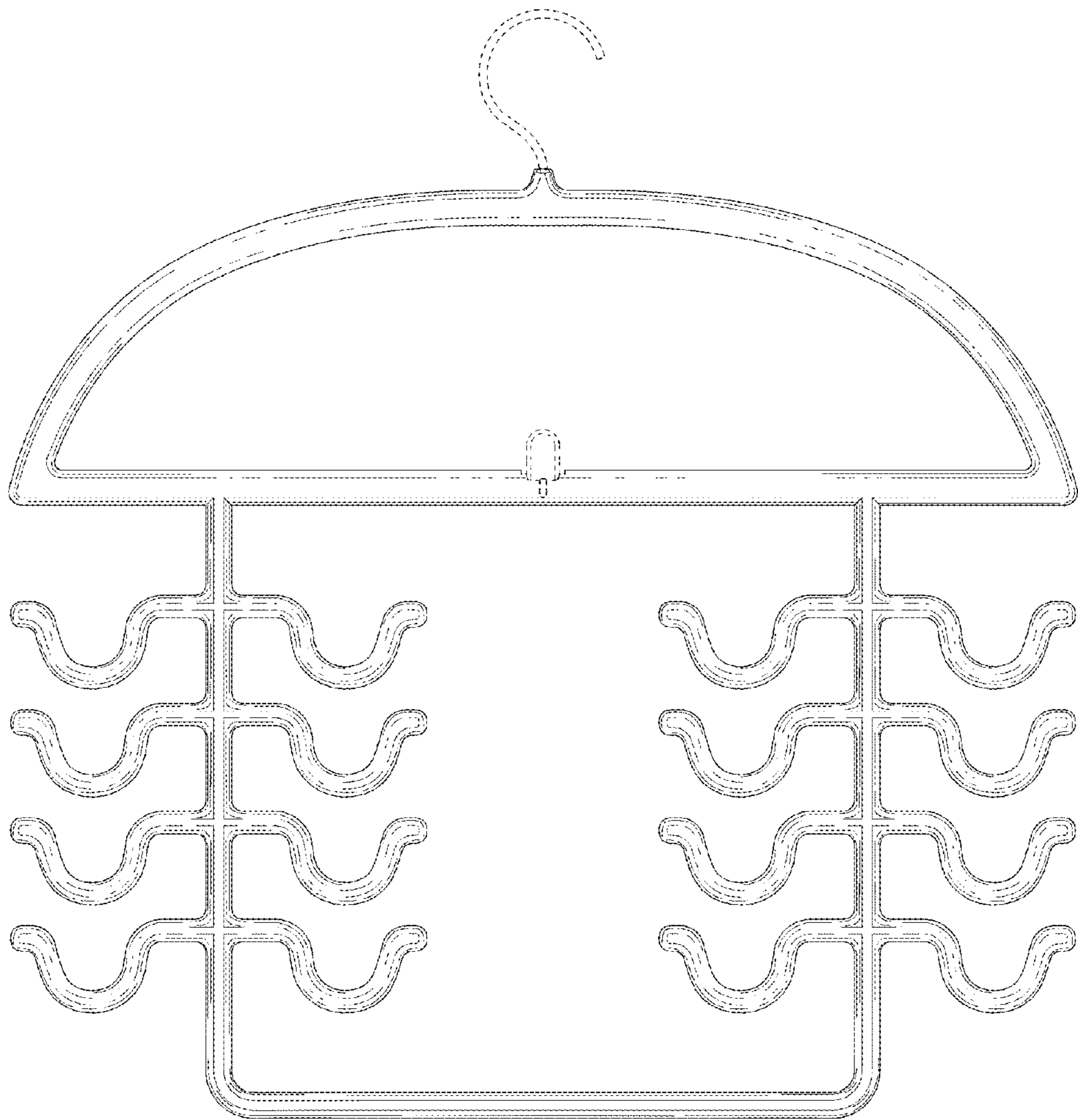


FIG. 3

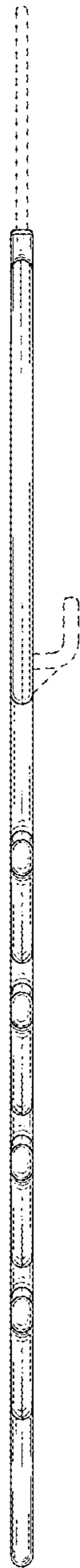


FIG. 4



FIG. 5



FIG. 6

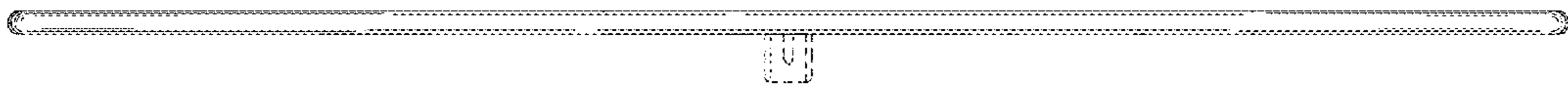


FIG. 7